



US00D756720S

(12) **United States Design Patent**
Pietrzyk

(10) **Patent No.:** **US D756,720 S**
(45) **Date of Patent:** **** May 24, 2016**

(54) **CONDIMENT MILL**

(71) Applicant: **Jeremy Pietrzyk, Quingey (FR)**

(72) Inventor: **Jeremy Pietrzyk, Quingey (FR)**

(73) Assignee: **PSP (SOCIÉTÉ PAR ACTIONS SIMPLIFIÉE, Quingey (FR))**

(**) Term: **14 Years**

(21) Appl. No.: **29/507,592**

(22) Filed: **Oct. 29, 2014**

(51) **LOC (10) Cl.** **07-04**

(52) **U.S. Cl.**
USPC **D7/679**

(58) **Field of Classification Search**
USPC D7/679, 590–597, 372, 373, 374, 383,
D7/384, 550.1, 553.1–554.4
CPC A47J 42/08; A47J 42/38; A47J 42/04;
A47J 42/46; A47J 42/18; A47J 42/40; A47J
42/14; A47J 42/34; B02C 18/24; B02C 18/08
See application file for complete search history.

(56) **References Cited**

U.S. PATENT DOCUMENTS

D341,751 S *	11/1993	Ancona	D7/594
D437,743 S *	2/2001	Young	D7/597
2004/0182958 A1 *	9/2004	Herren	A47J 42/08 241/169.1

* cited by examiner

Primary Examiner — Terry Wallace

(74) *Attorney, Agent, or Firm* — Egbert Law Offices, PLLC

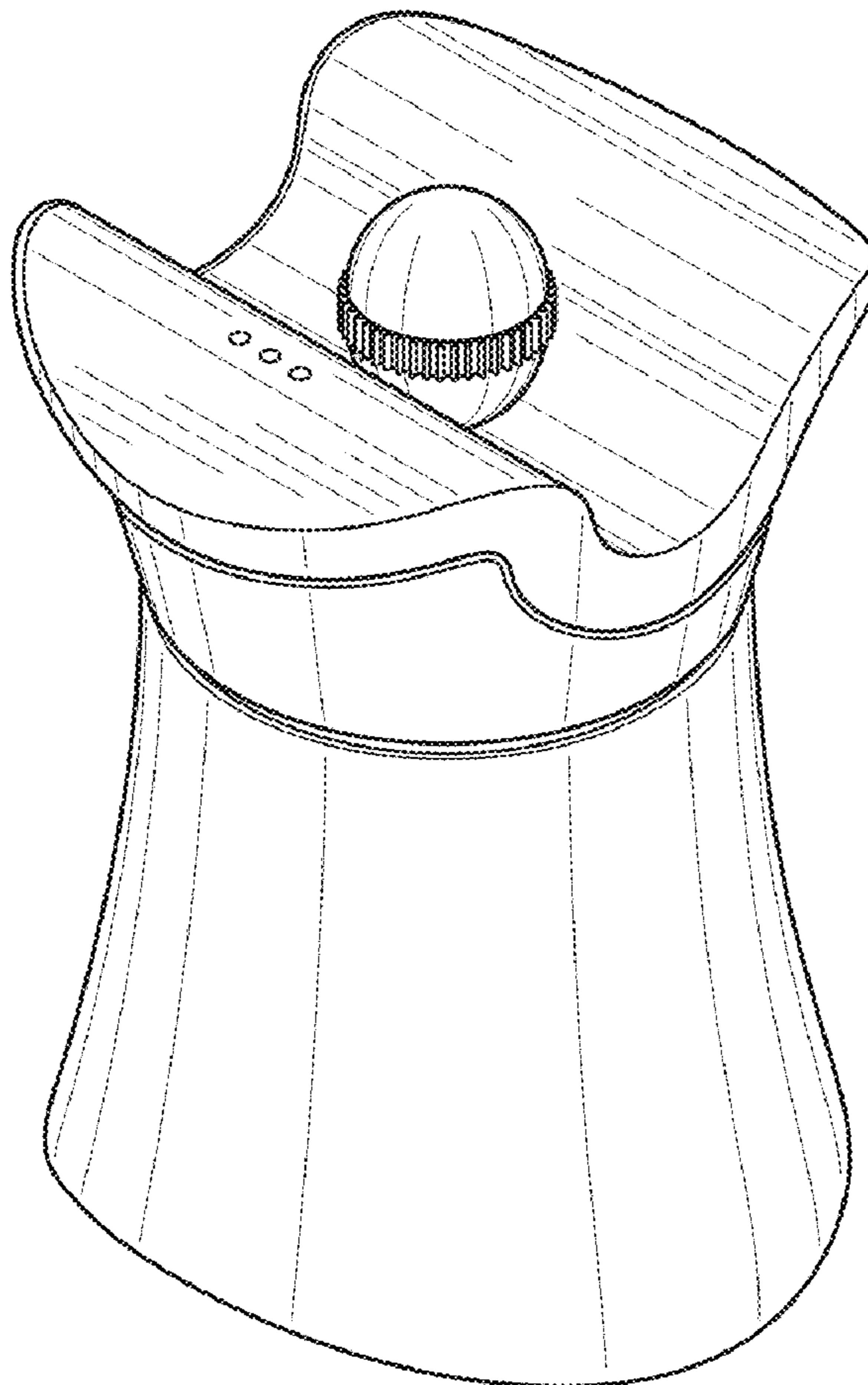
(57) **CLAIM**

The ornamental design for a condiment mill, as shown and described.

DESCRIPTION

FIG. 1 is an upper perspective view of a condiment mill showing my new design.
FIG. 2 is front view thereof, a rear view being identical;
FIG. 3 is a bottom plan view thereof;
FIG. 4 is a top plan view thereof; and,
FIG. 5 is a side view thereof, an opposite side view being identical.

1 Claim, 3 Drawing Sheets



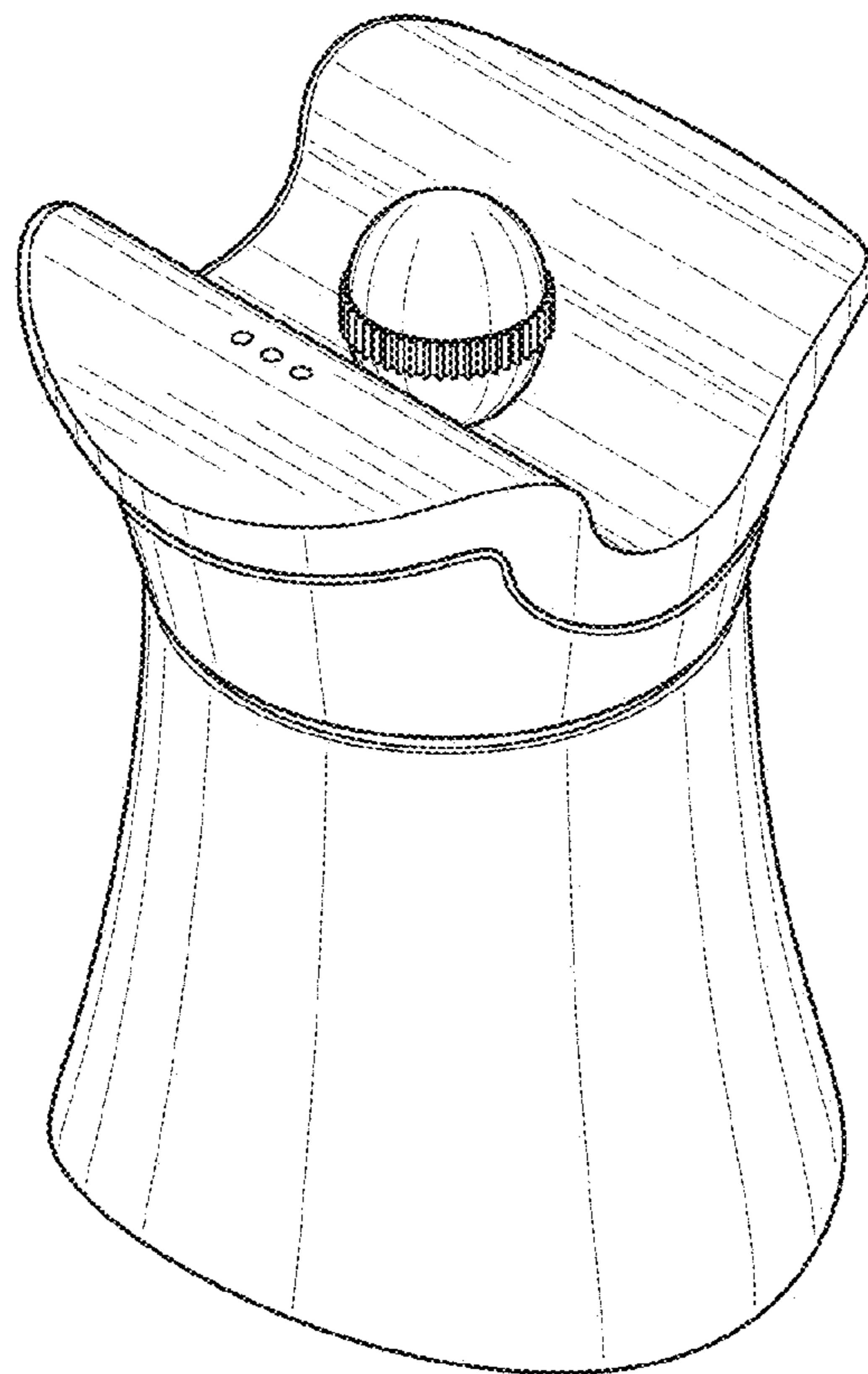


FIG. 1

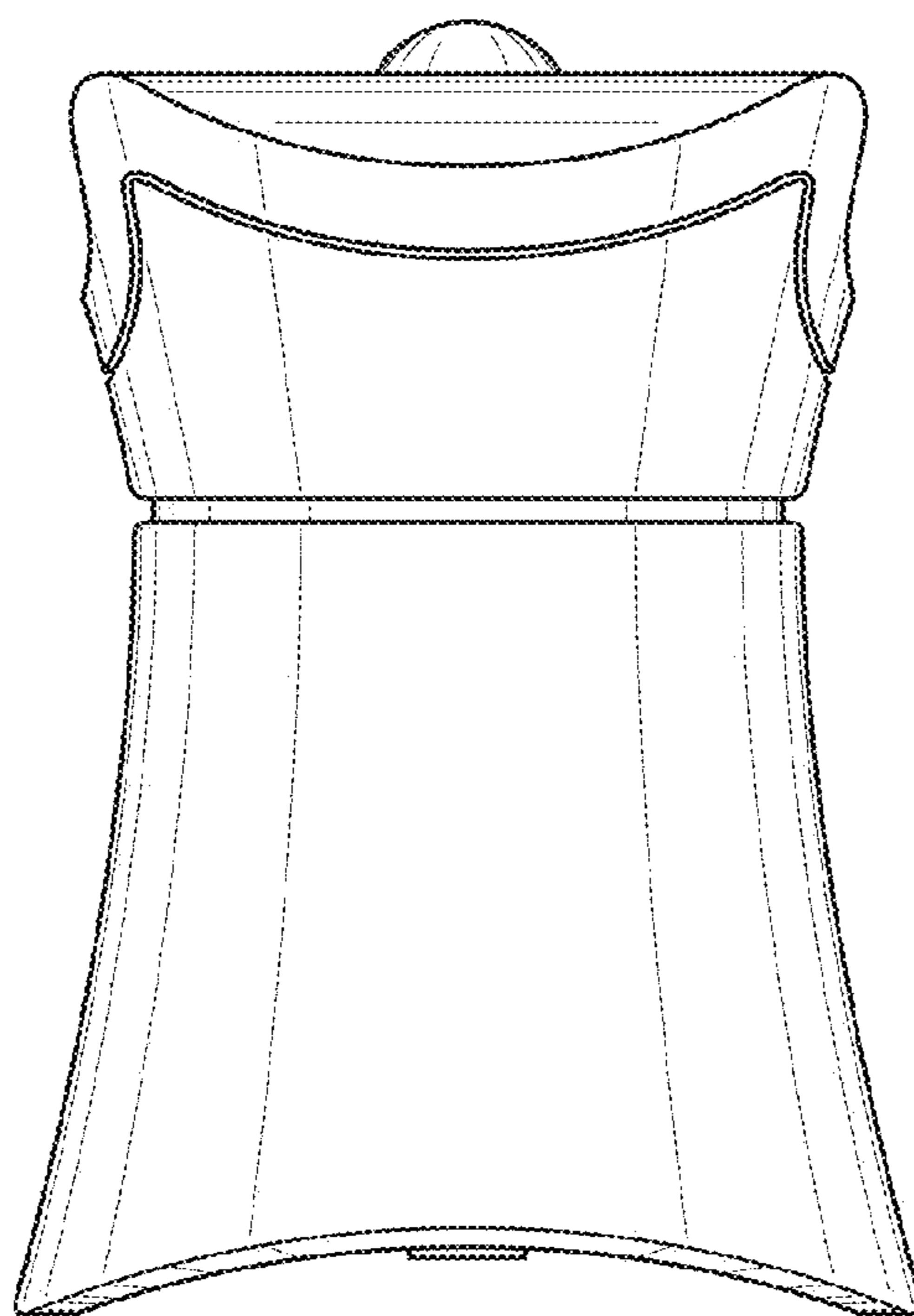


FIG. 2

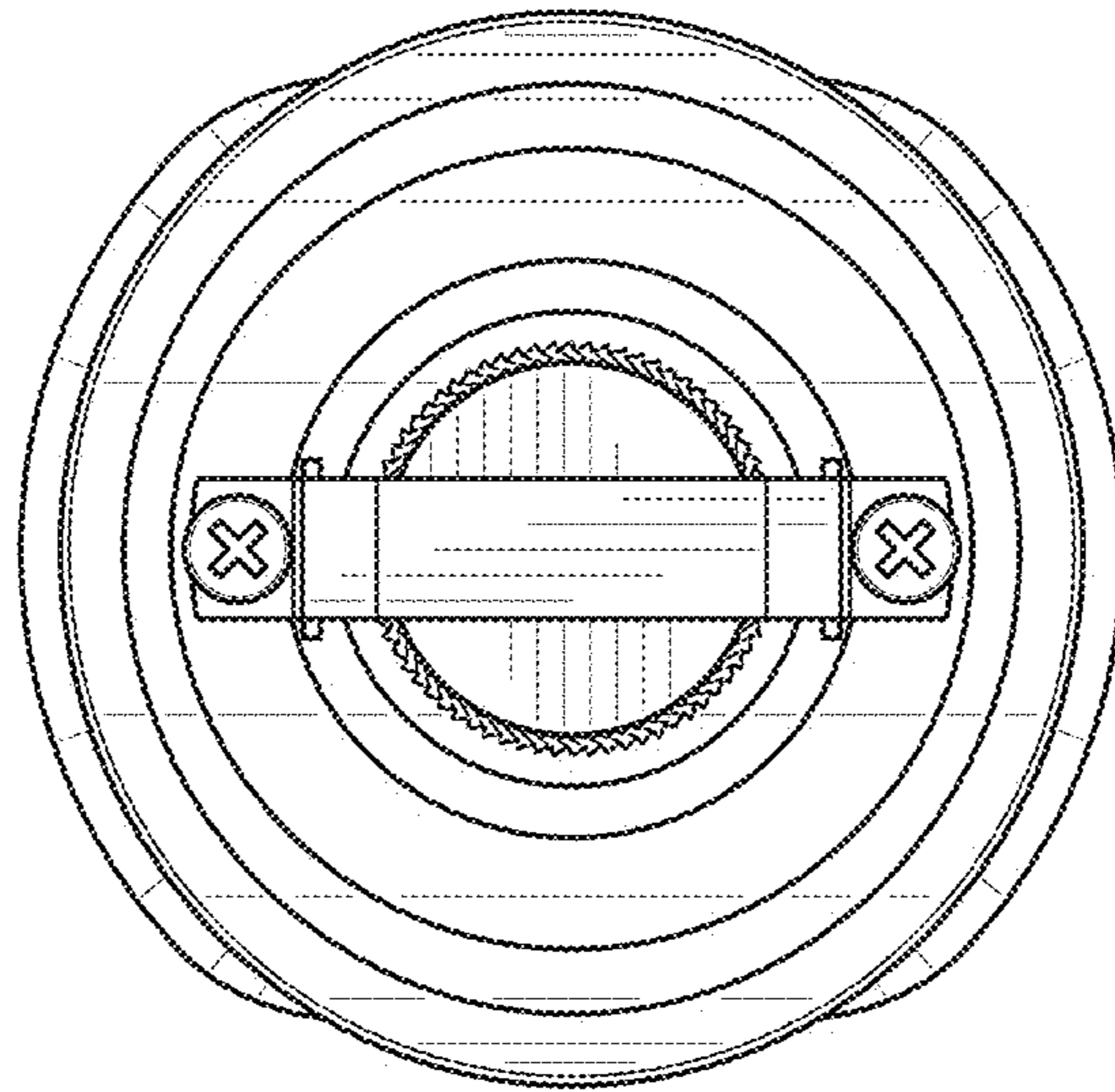


FIG. 3

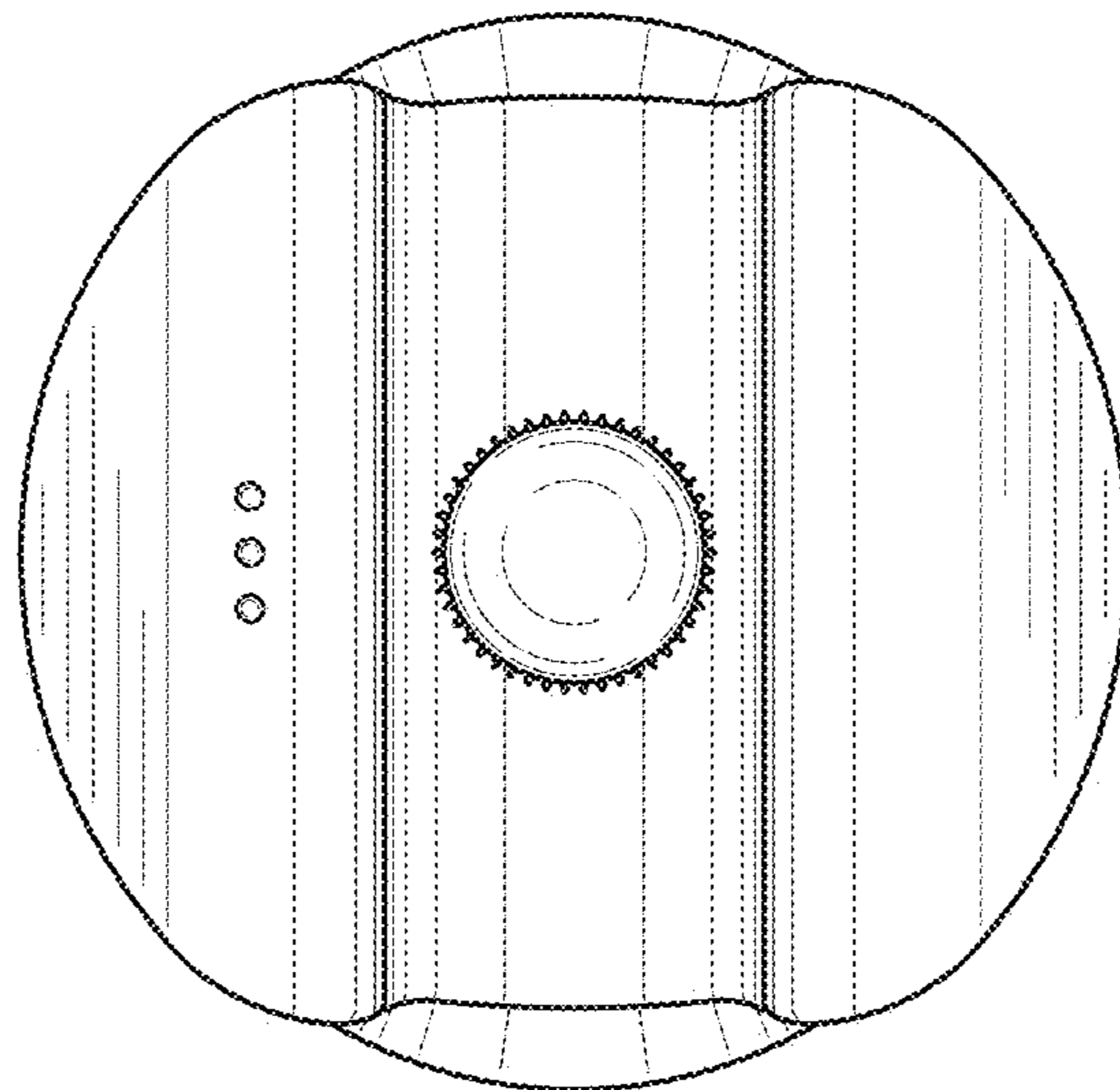


FIG. 4

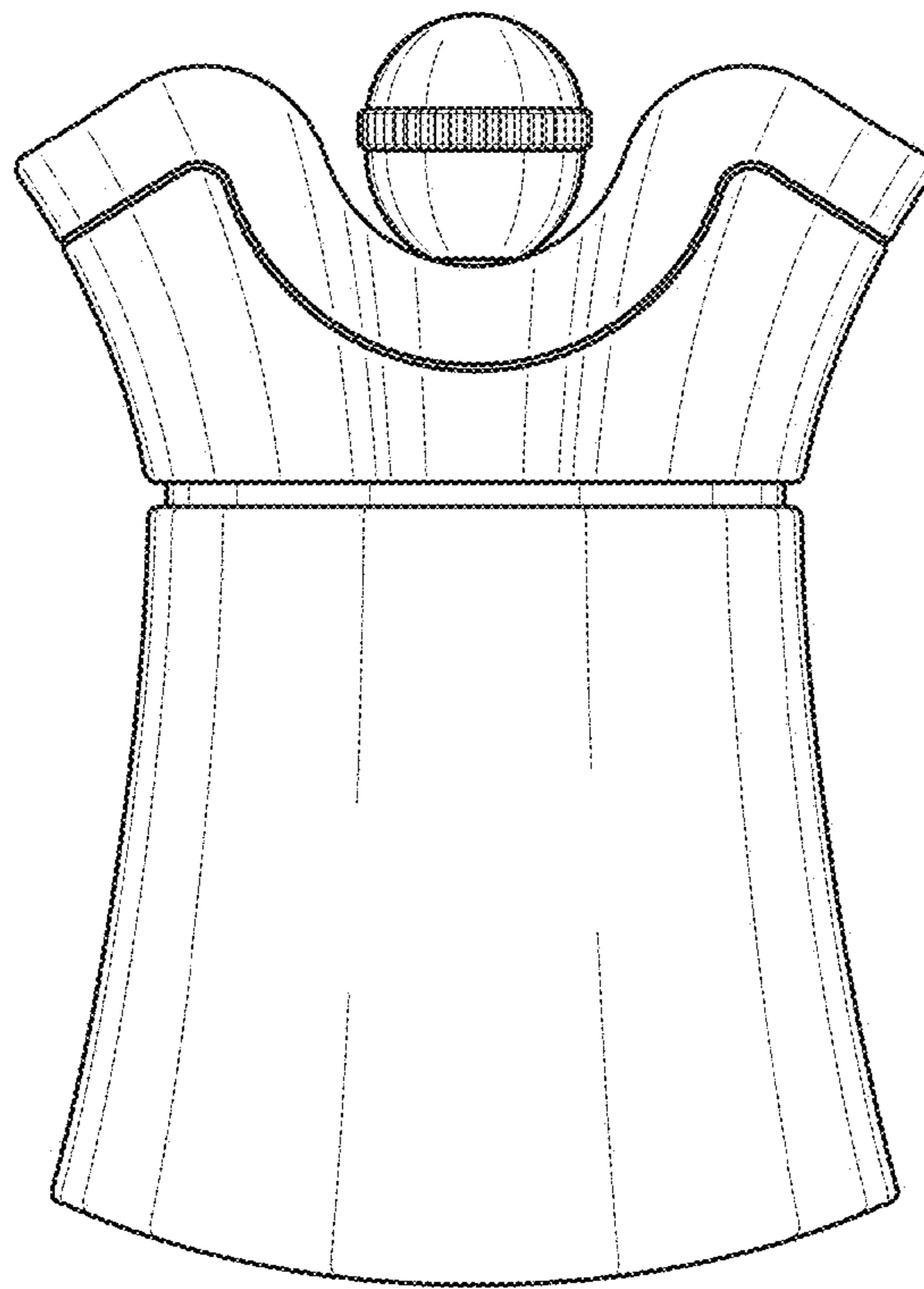


FIG. 5