

US00D756715S

(12) **United States Design Patent**
Ricciardi

(10) **Patent No.:** **US D756,715 S**

(45) **Date of Patent:** **** May 24, 2016**

(54) **INTERCHANGEABLE CHARGER**

(71) Applicant: **Nicole Ricciardi**, Ridgewood, NJ (US)

(72) Inventor: **Nicole Ricciardi**, Ridgewood, NJ (US)

(**) Term: **14 Years**

(21) Appl. No.: **29/503,139**

(22) Filed: **Sep. 23, 2014**

(51) **LOC (10) Cl.** **07-01**

(52) **U.S. Cl.**
USPC **D7/587**

(58) **Field of Classification Search**

USPC D7/557, 555, 553.8, 584, 523, 587, 500,
D7/560, 554.3, 550.1, 538, 704, 571, 586,
D7/553.2, 545, 551.2, 543, 505, 318, 566,
D7/509, 553.6, 501, 552.1, 540; D26/9;
D11/155, 131, 143; 220/574; D30/127,
D30/129; D3/304; D9/414, 433, 744, 560,
D9/550.1, 554.2, 554.3, 586, 553.5, 501,
D9/538, 545, 601, 502, 629, 542;
D19/107, 135, 95; 206/459.5
CPC A47G 19/02; A47G 19/06; A47G 23/06;
A47G 19/12; A47G 19/00; B65D 1/34;
B65D 1/225; B65D 1/00; B65D 5/00; A01K
5/0114; A01K 5/0142

See application file for complete search history.

(56) **References Cited**

U.S. PATENT DOCUMENTS

D450,220 S * 11/2001 Walz D7/545
D608,594 S * 1/2010 Weber D7/584
D660,651 S * 5/2012 Peters D7/587
D711,191 S * 8/2014 Lee D7/388

* cited by examiner

Primary Examiner — Cynthia Underwood

(74) *Attorney, Agent, or Firm* — Quickpatents, LLC; Kevin Prince

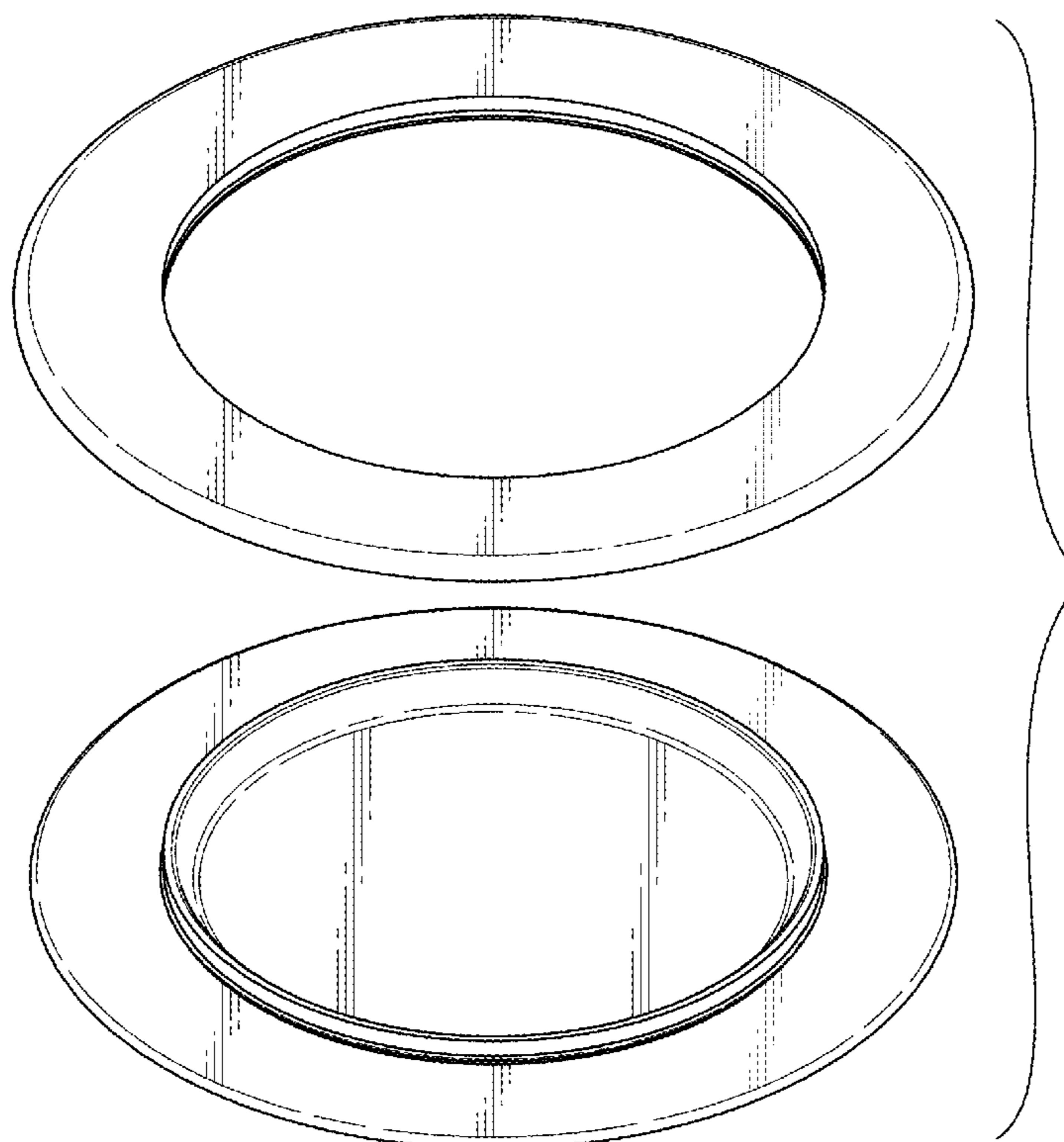
(57) **CLAIM**

I claim the ornamental design for an interchangeable charger, as shown and described.

DESCRIPTION

FIG. 1 is a perspective view of a second embodiment thereof; FIG. 2 is a perspective view of FIG. 1; FIG. 3 is a front elevational view of FIG. 1; FIG. 4 is a left-side elevational view of FIG. 1; FIG. 5 is a top plan view of FIG. 1; and FIG. 6 is a bottom plan view of FIG. 1. FIG. 7 is a perspective view of a third embodiment thereof; FIG. 8 is a perspective view of FIG. 7; FIG. 9 is a front elevational view of FIG. 7; FIG. 10 is a left-side elevational view of FIG. 7; FIG. 11 is a top plan view of FIG. 7; and, FIG. 12 is a bottom plan view of FIG. 7.

1 Claim, 6 Drawing Sheets



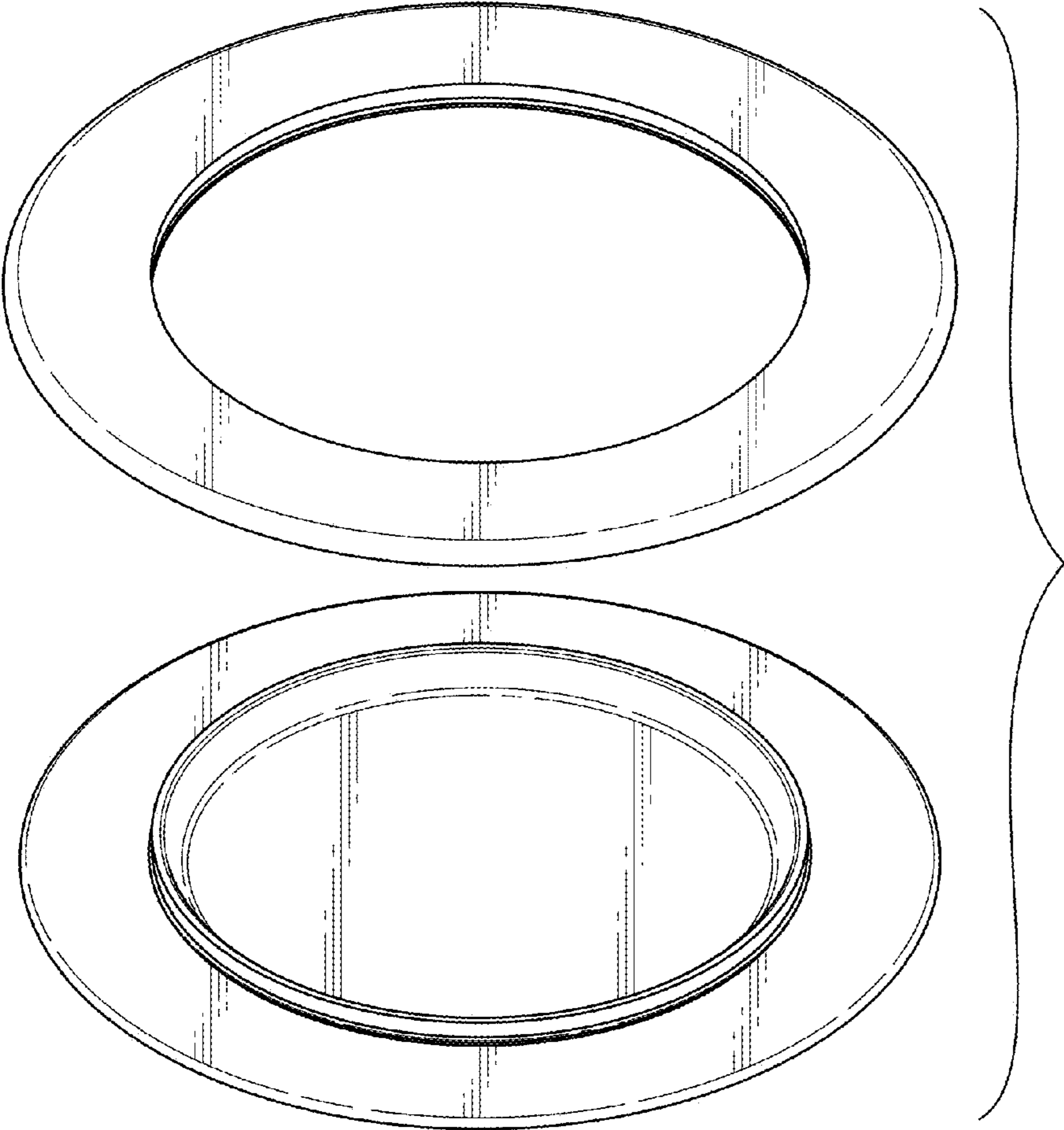


FIG. 1

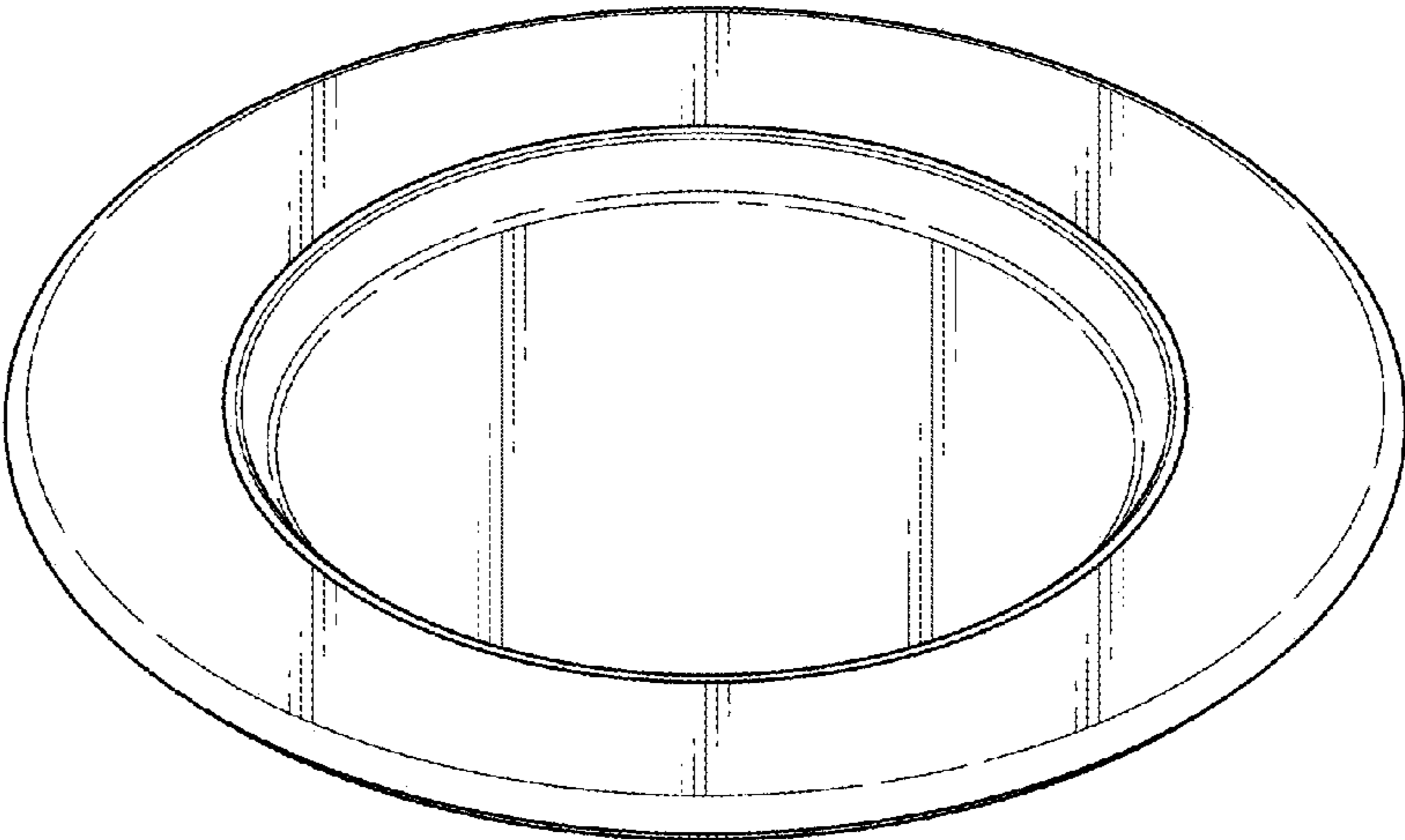


FIG. 2

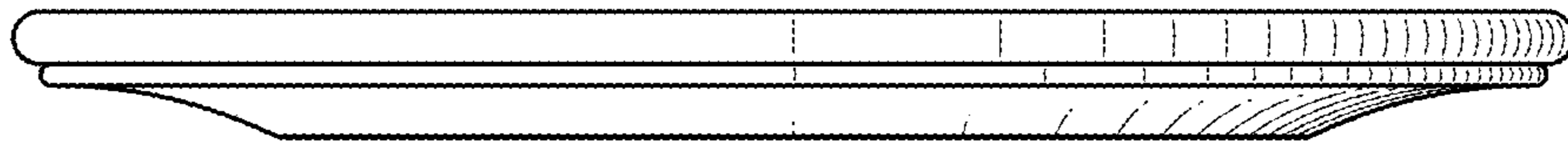


FIG. 3



FIG. 4

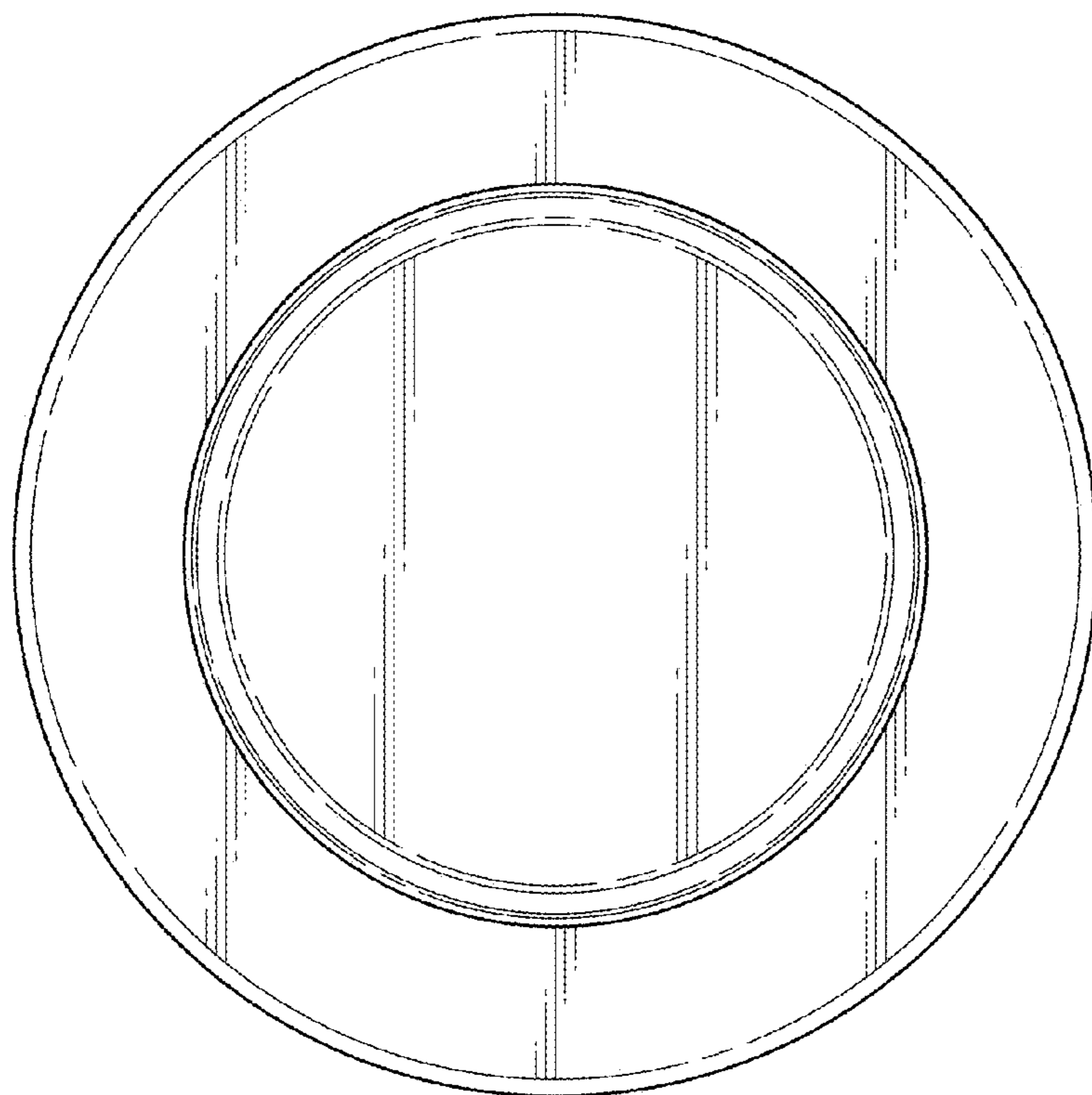


FIG. 5

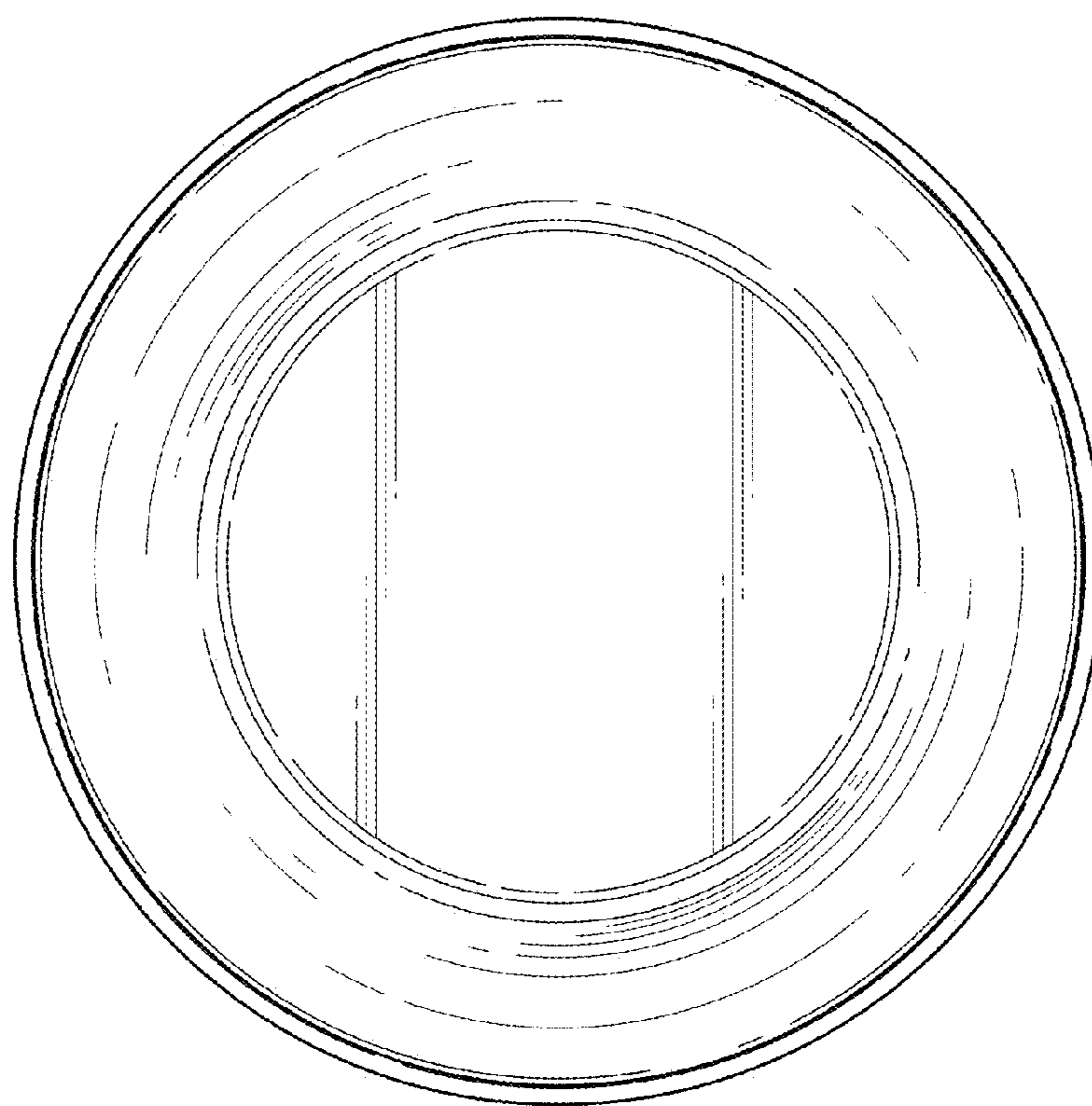


FIG. 6

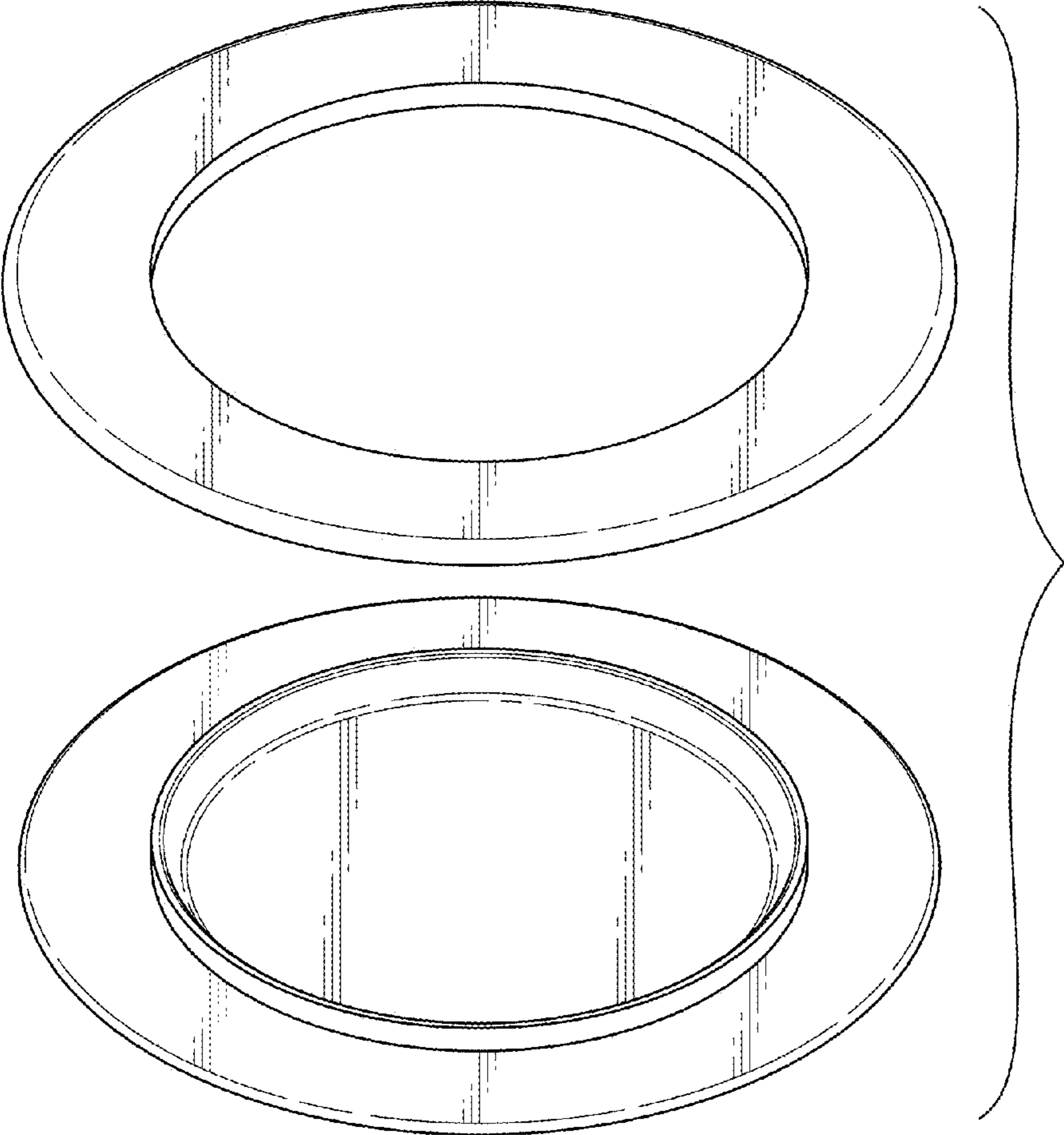


FIG. 7

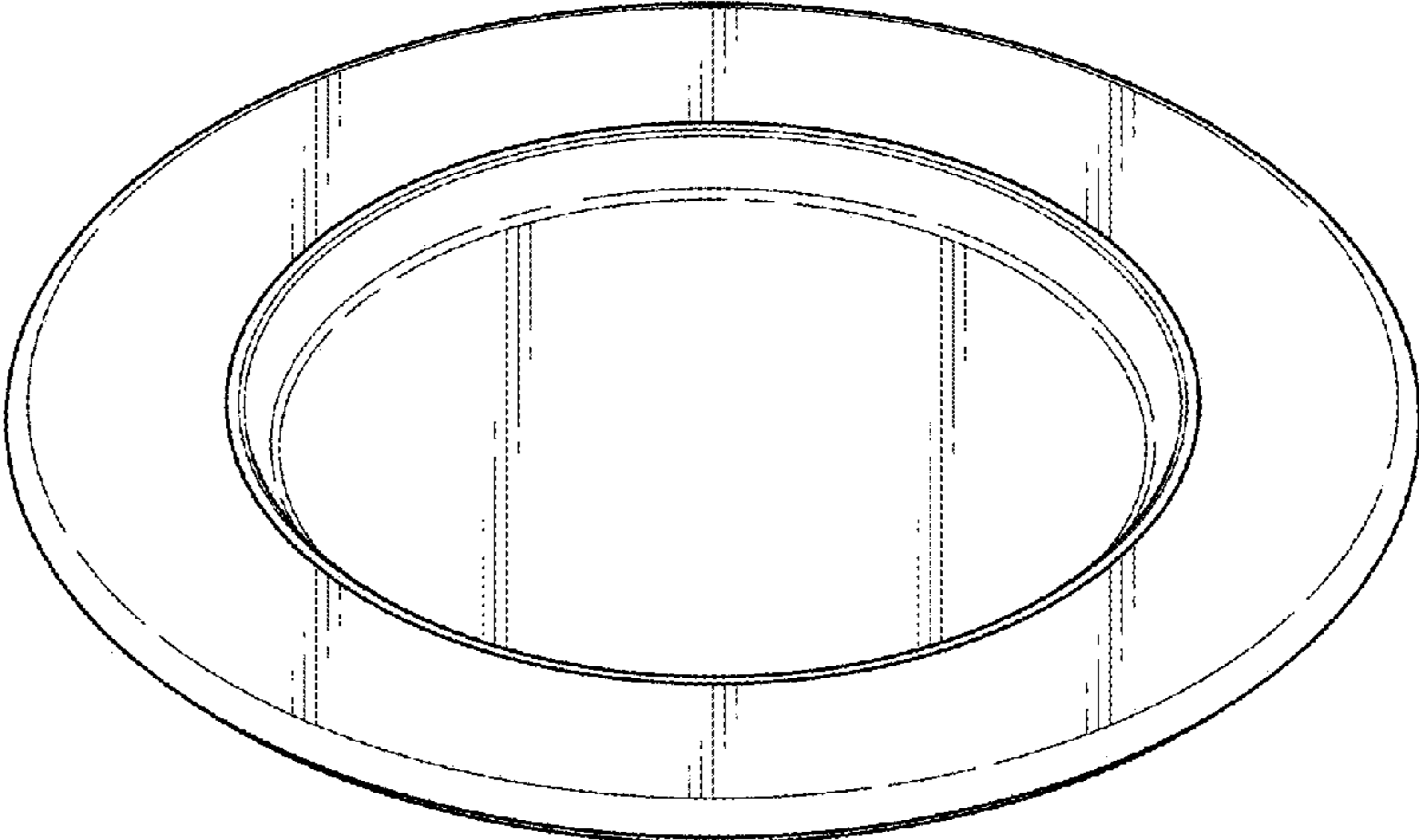


FIG. 8

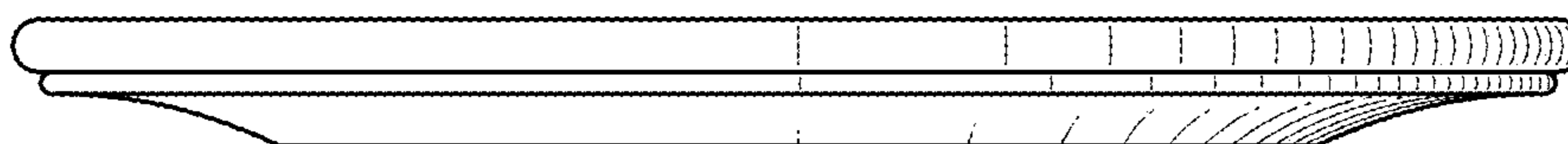


FIG. 9



FIG. 10

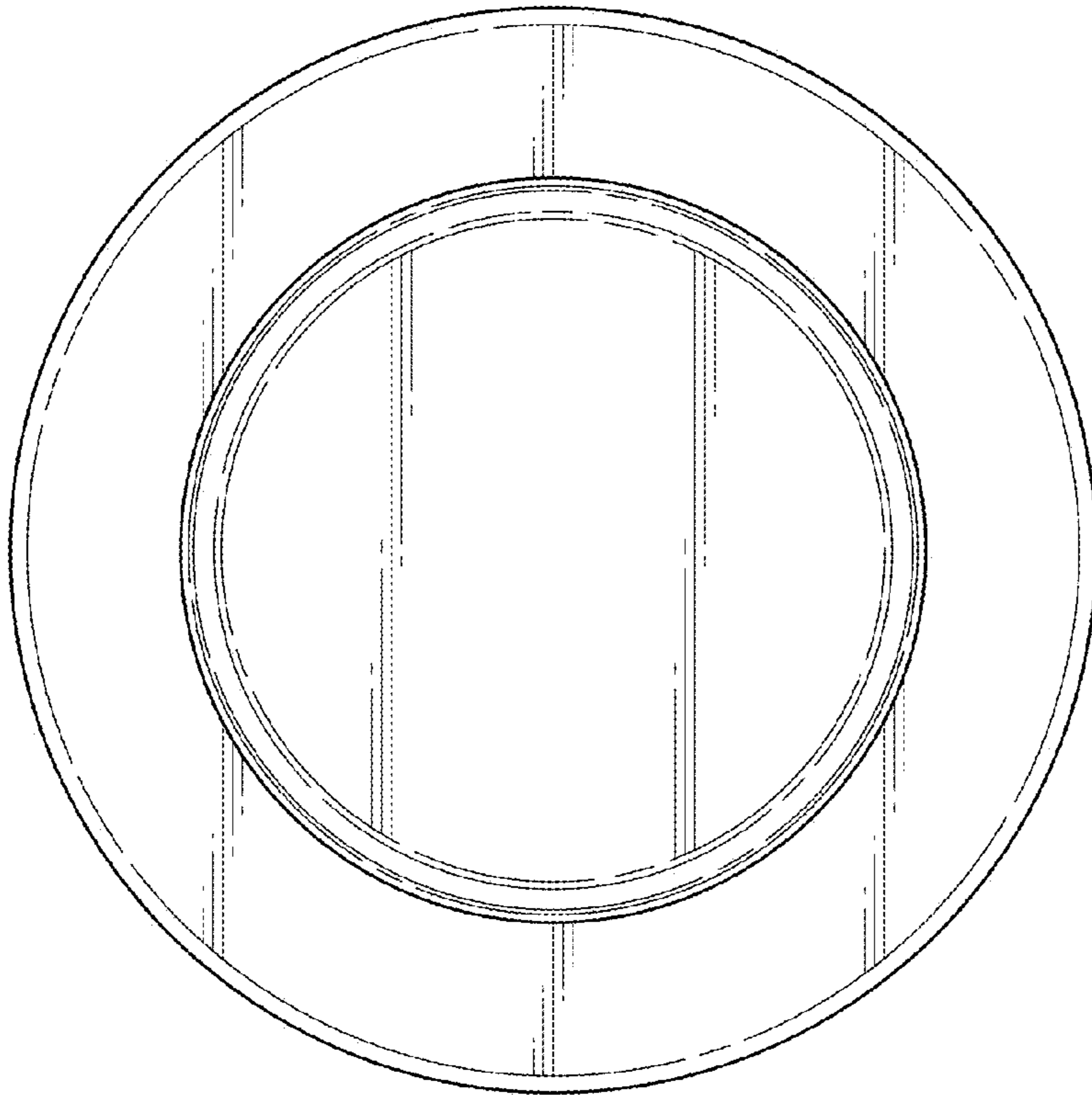


FIG. 11

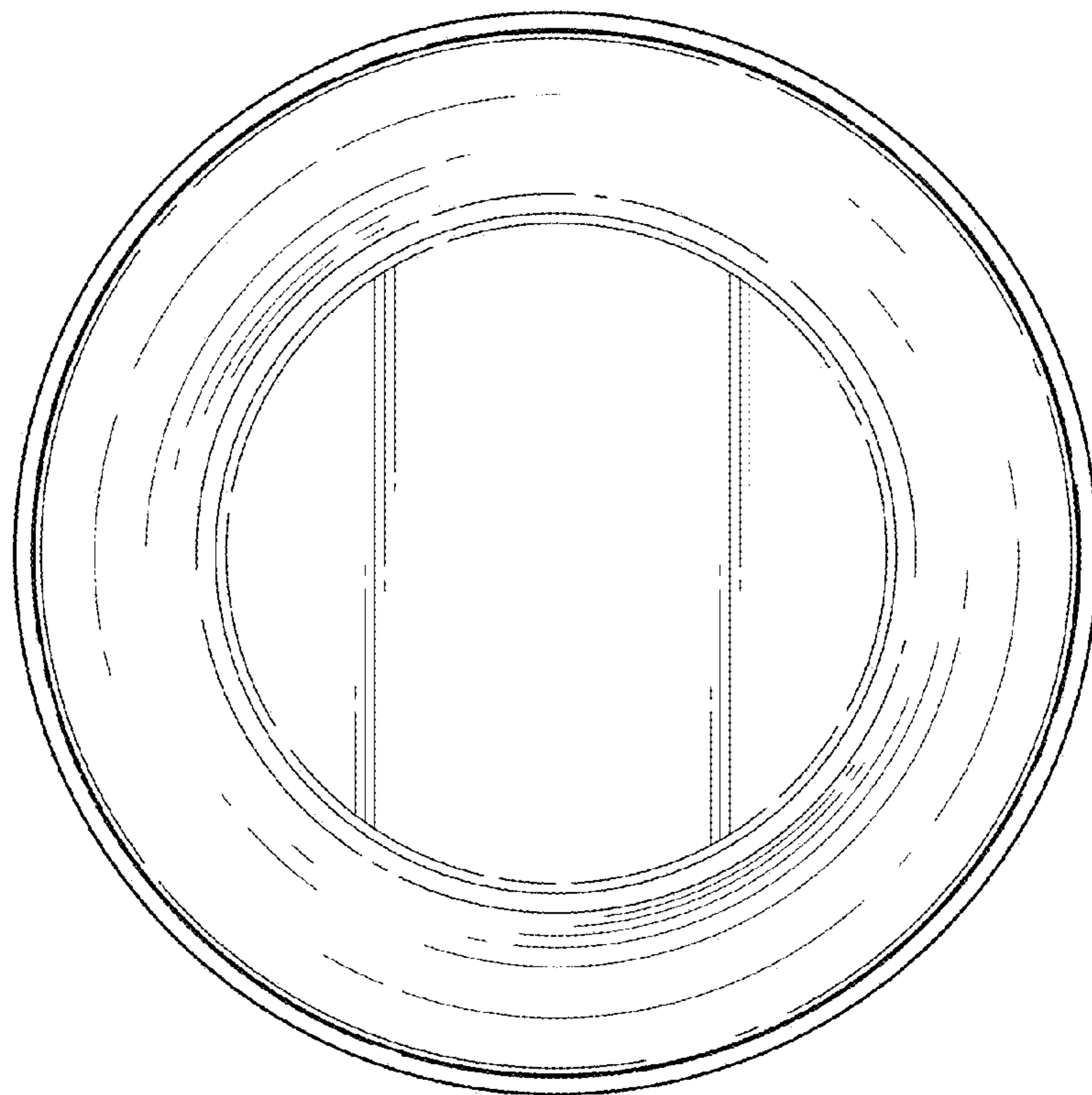


FIG. 12