



US00D756714S

(12) **United States Design Patent**
Haydon

(10) **Patent No.:** **US D756,714 S**
(45) **Date of Patent:** **** May 24, 2016**

(54) **FOLDING BOWL**

(71) Applicant: **Martin Haydon**, Auckland (NZ)

(72) Inventor: **Martin Haydon**, Auckland (NZ)

(**) Term: **14 Years**

(21) Appl. No.: **29/504,927**

(22) Filed: **Oct. 10, 2014**

(51) **LOC (10) Cl.** **07-01**

(52) **U.S. Cl.**
USPC **D7/543**

(58) **Field of Classification Search**
USPC D7/584, 500, 560, 554.3, 550.1, 538,
D7/571, 587, 586, 551.2, 543, 545, 505;
220/574; D30/129; D3/304
CPC A47G 19/02; A47G 19/06; A47G 23/06;
B65D 1/34; A01K 5/0142; A01K 5/0114
See application file for complete search history.

(56) **References Cited**

U.S. PATENT DOCUMENTS

323,894 A * 8/1885 Whitten B65D 25/32
126/390.1
D110,117 S * 6/1938 Weiss D7/361
D245,059 S * 7/1977 Bardin D7/361
D246,884 S * 1/1978 Finke D7/361

D424,879 S * 5/2000 Biber D7/361
D424,880 S * 5/2000 Biber D7/361
D550,036 S * 9/2007 Holcomb D7/512
D630,061 S * 1/2011 Kellermann D7/543
D701,424 S * 3/2014 Shamon D10/46.2

* cited by examiner

Primary Examiner — Cynthia Underwood

(74) *Attorney, Agent, or Firm* — Wood, Herron & Evans, LLP

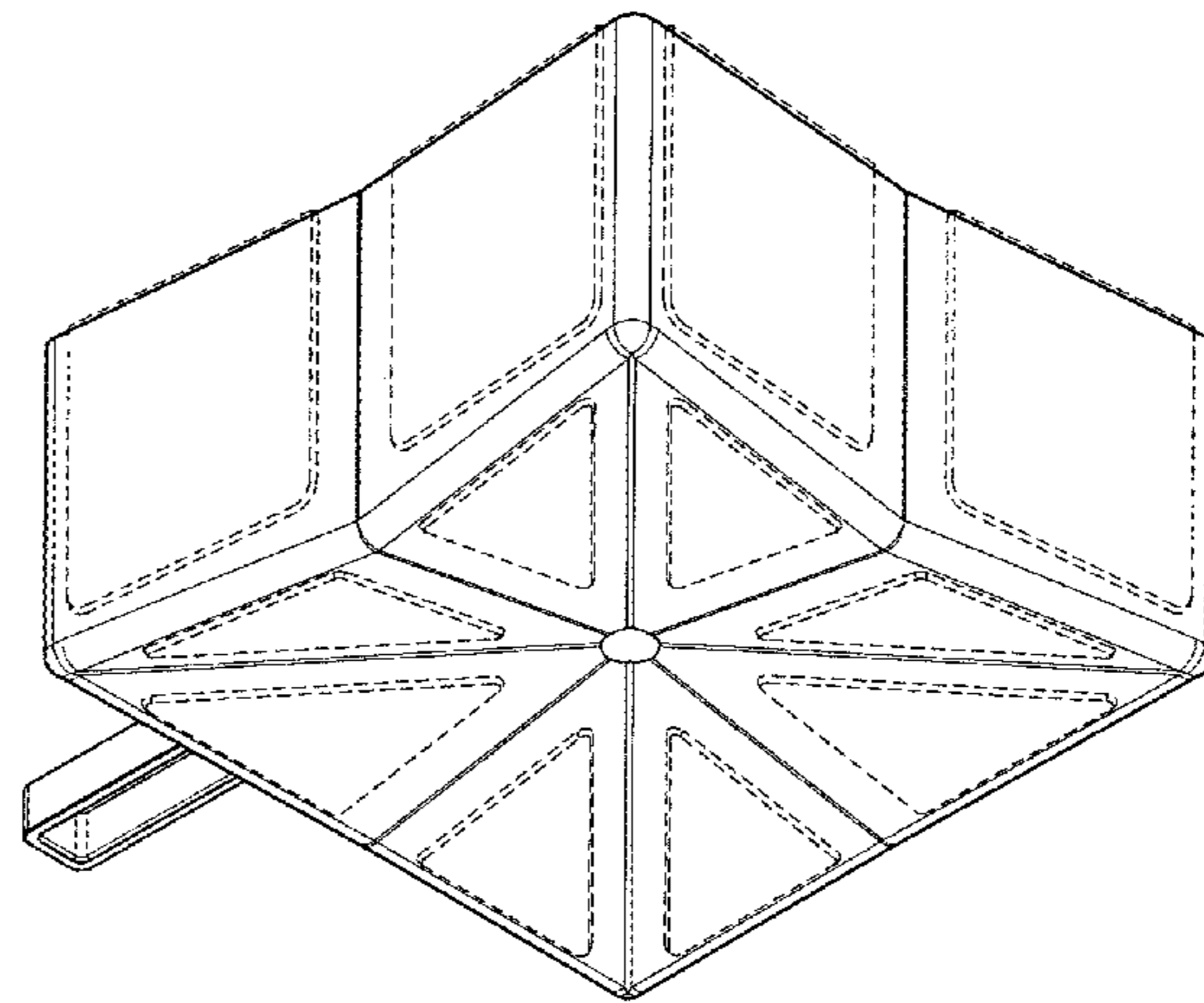
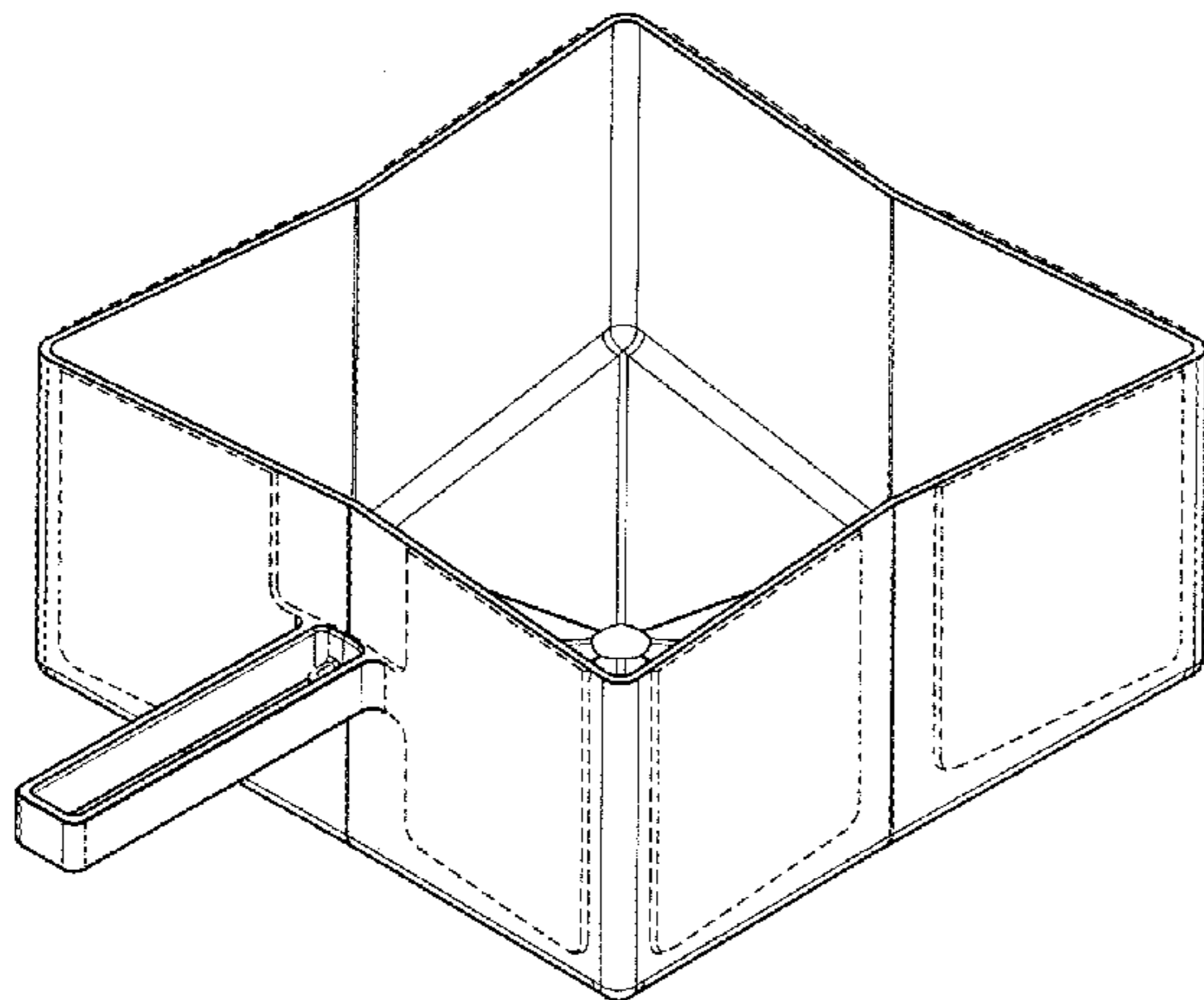
(57) **CLAIM**

The ornamental design for a folding bowl, as shown and described.

DESCRIPTION

FIG. 1 is a top perspective view of an embodiment of my new, original and ornamental design for a folding bowl;
FIG. 2 is a bottom perspective view of the folding bowl of FIG. 1;
FIG. 3 is a top view of the folding bowl of FIG. 1;
FIG. 4 is a front view of the folding bowl of FIG. 1;
FIG. 5 is a rear view of the folding bowl of FIG. 1;
FIG. 6 is a left side view of the folding bowl of FIG. 1; and,
FIG. 7 is a right side view of the folding bowl of FIG. 1.
The broken lines are shown for environmental purposes only and form no part of the claimed design.

1 Claim, 3 Drawing Sheets



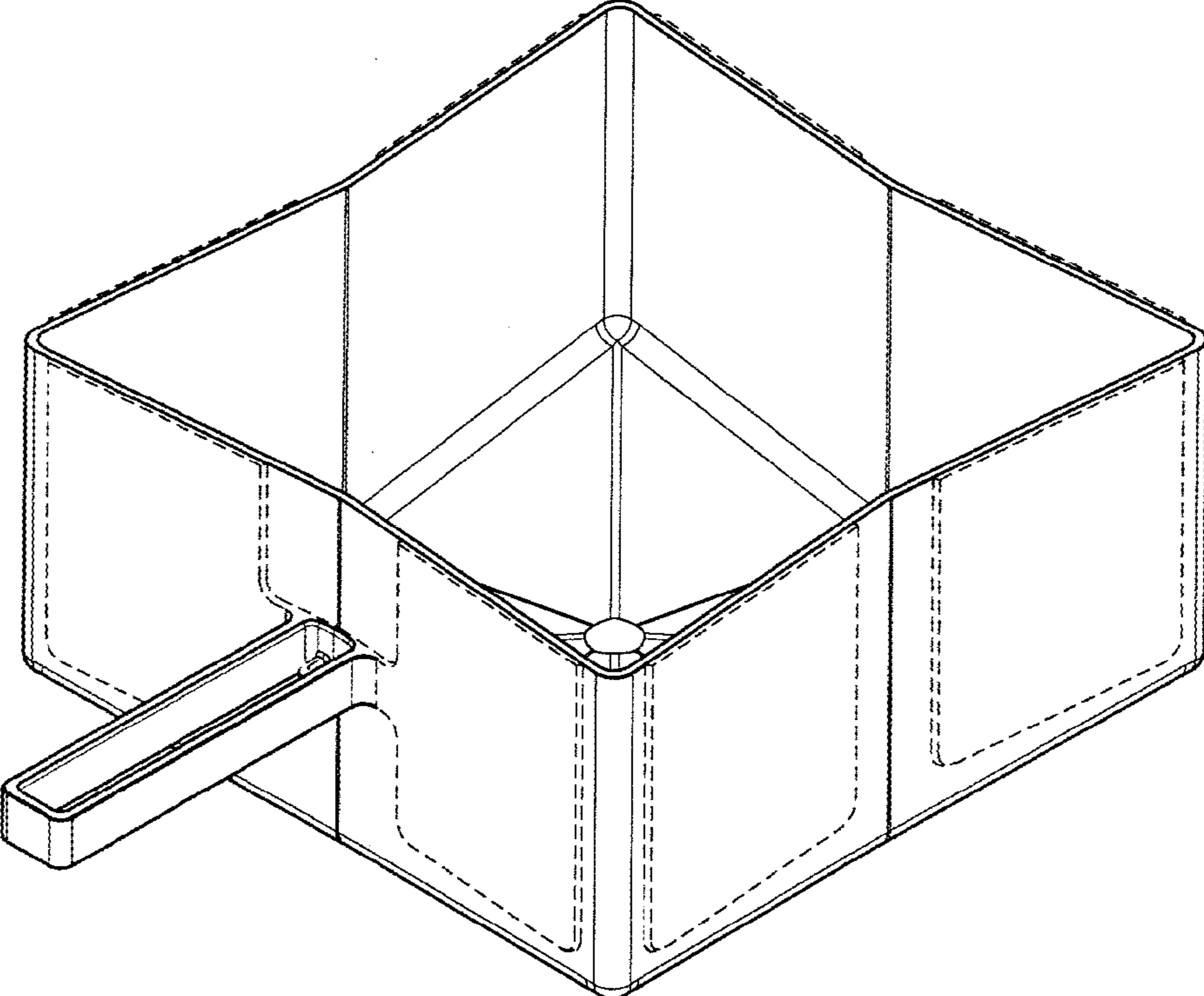


FIG. 1

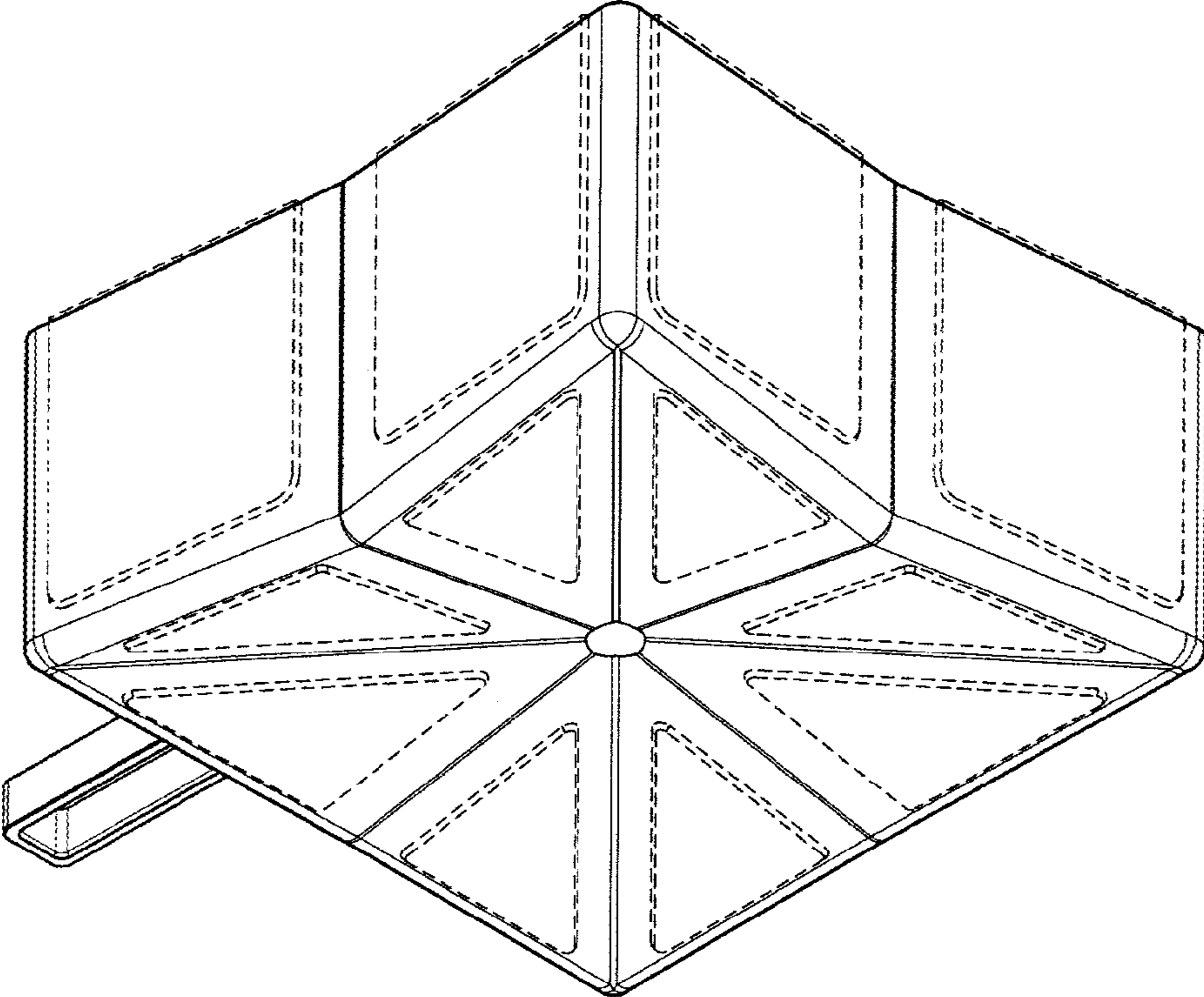


FIG. 2

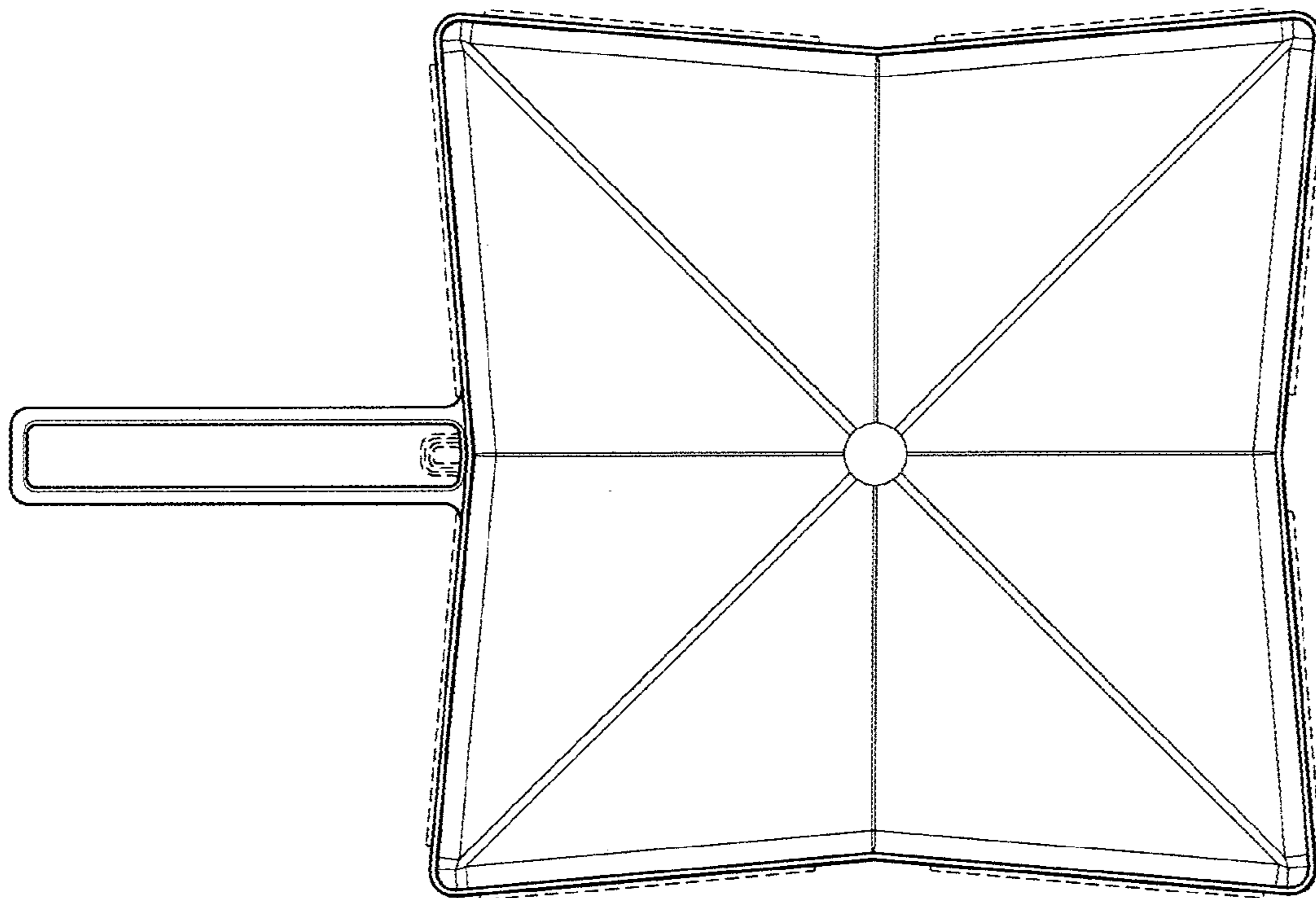


FIG. 3

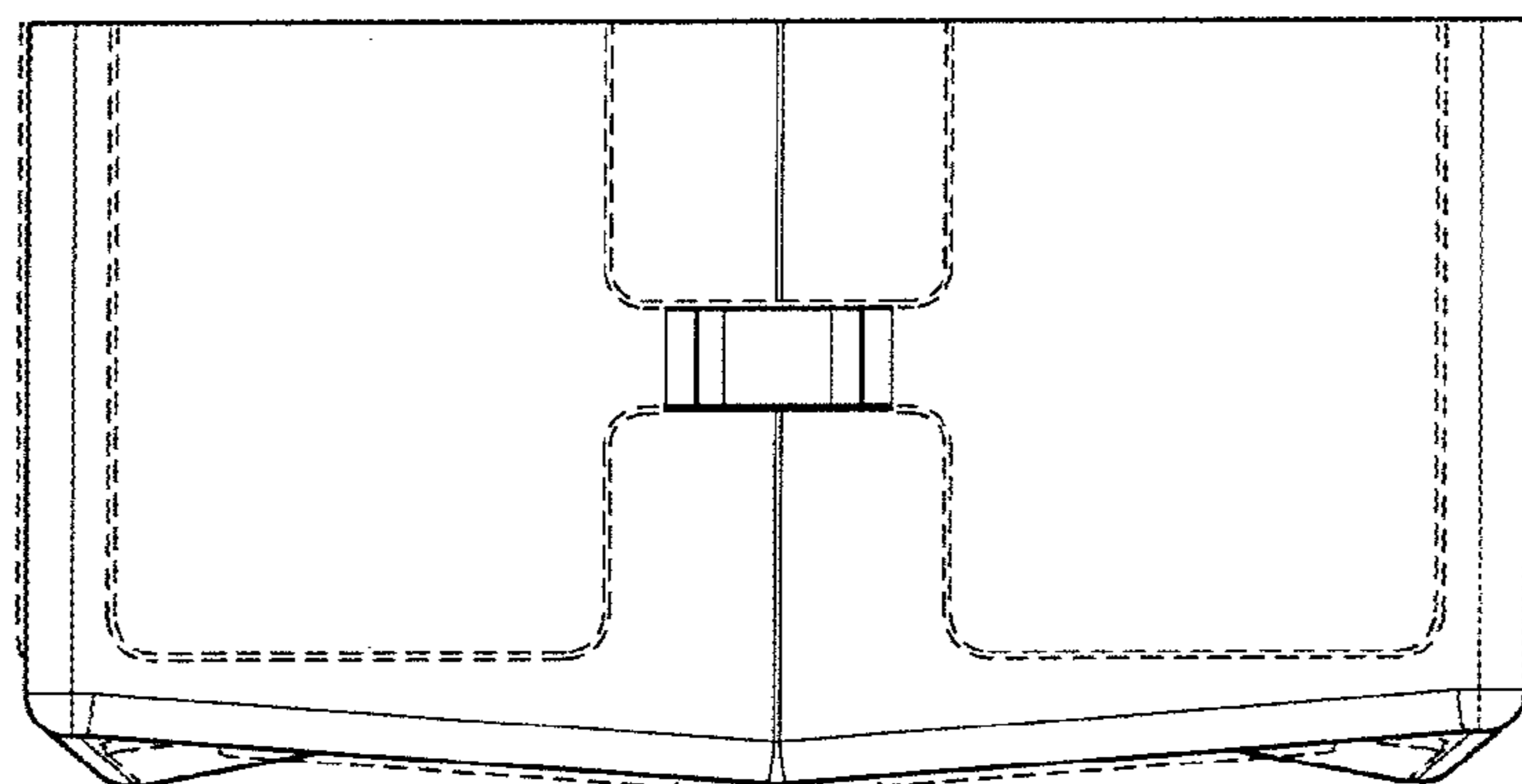


FIG. 4

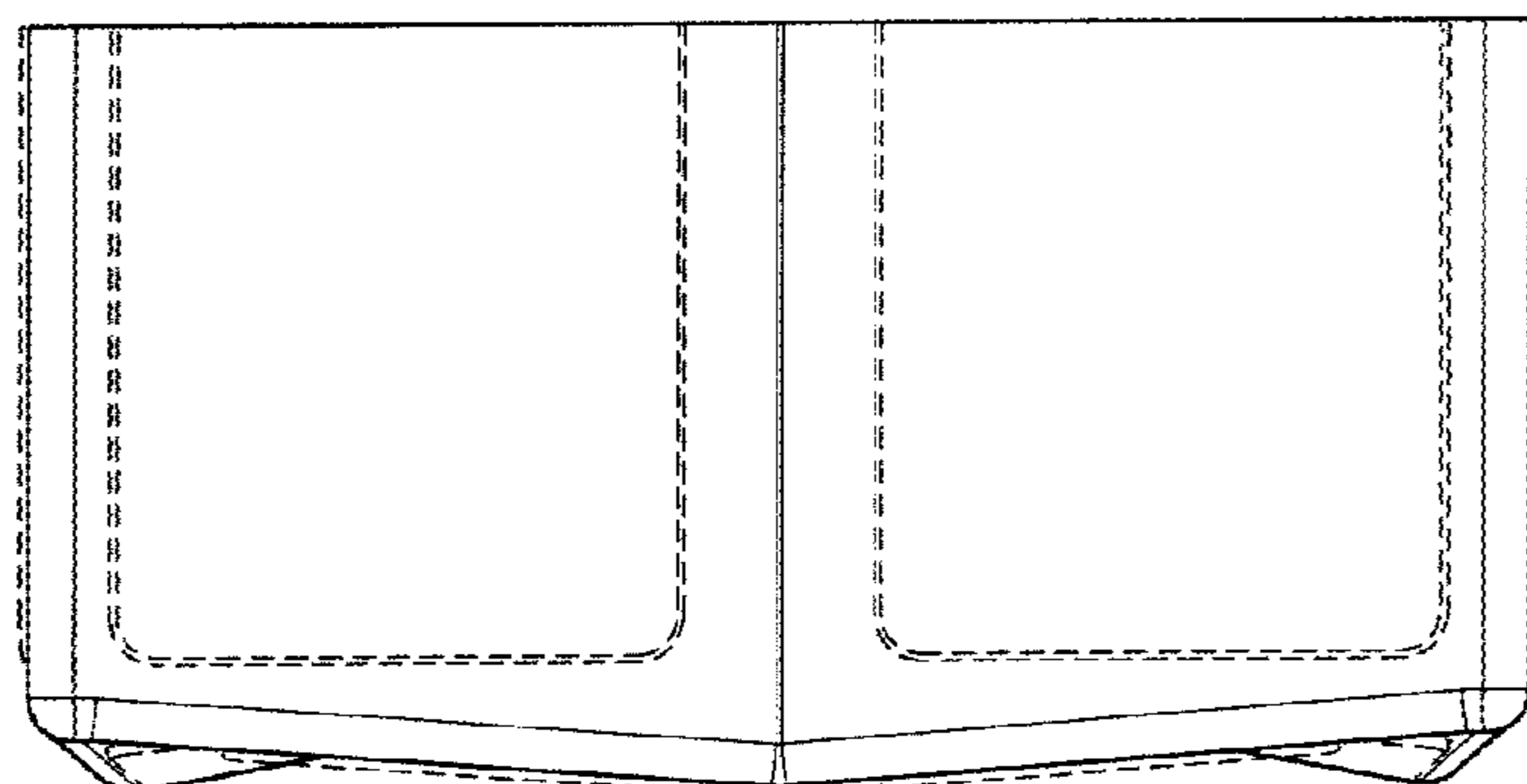


FIG. 5

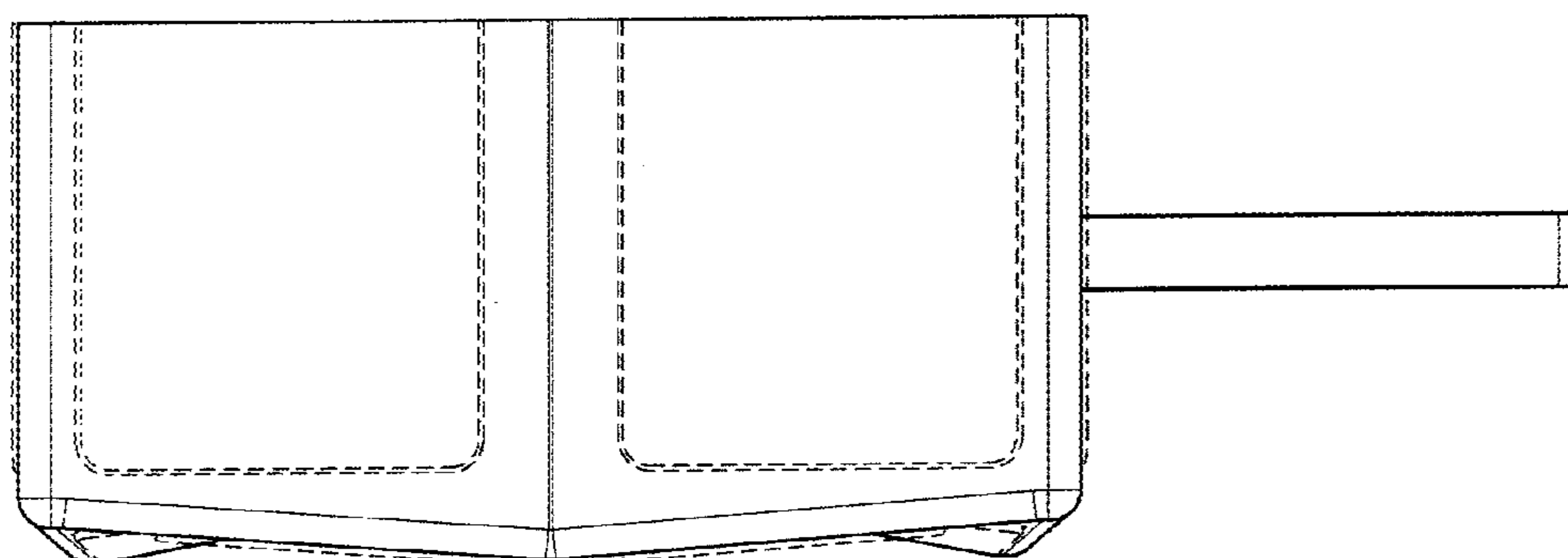


FIG. 6

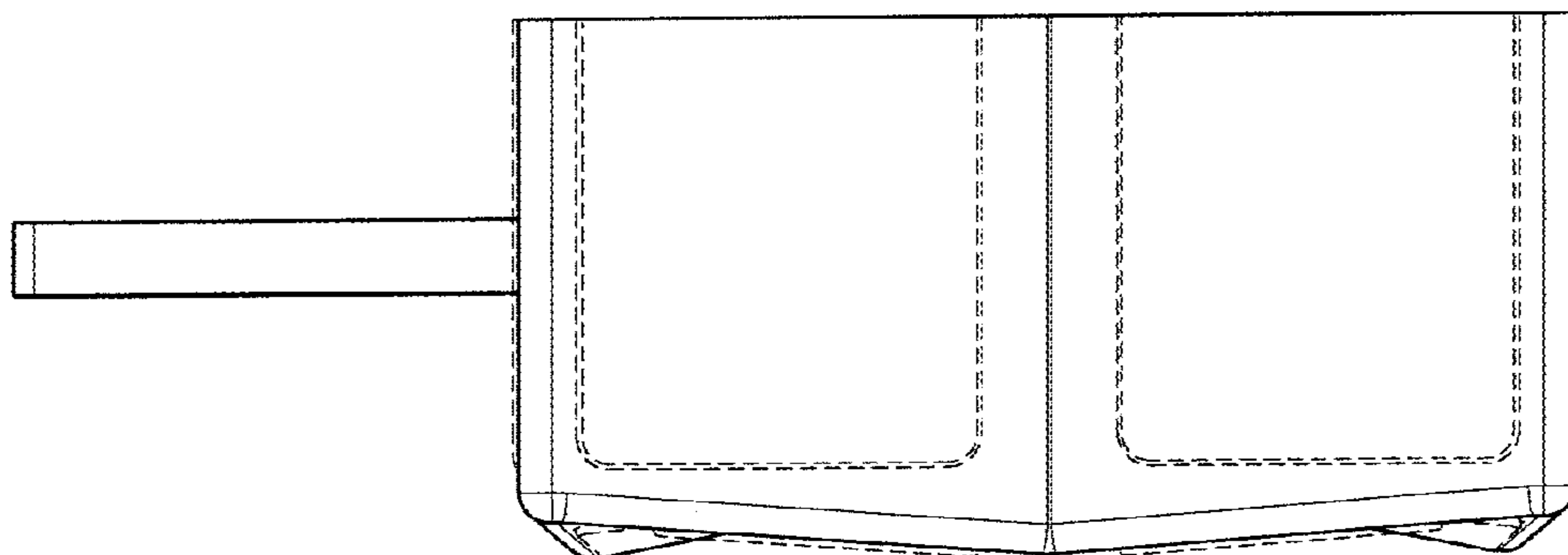


FIG. 7

UNITED STATES PATENT AND TRADEMARK OFFICE
CERTIFICATE OF CORRECTION

PATENT NO. : D756,714 S
APPLICATION NO. : 29/504927
DATED : May 24, 2016
INVENTOR(S) : Martin Haydon

Page 1 of 1

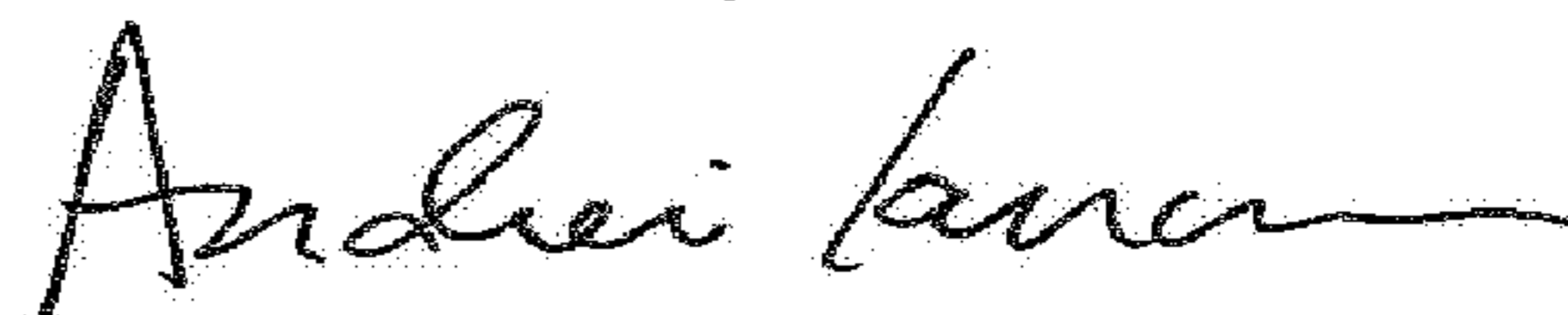
It is certified that error appears in the above-identified patent and that said Letters Patent is hereby corrected as shown below:

On the Title Page

Insert the following information:

--(30) Foreign Application Priority Data
April 10, 2014 (NZ) New Zealand 418725--

Signed and Sealed this
Twelfth Day of June, 2018



Andrei Iancu
Director of the United States Patent and Trademark Office