



US00D756712S

(12) **United States Design Patent**
Kushner

(10) **Patent No.:** **US D756,712 S**
(45) **Date of Patent:** **** May 24, 2016**

(54) **CAN CUP**

(71) Applicant: **Robert Kushner**, Pok Fu Lam (HK)

(72) Inventor: **Robert Kushner**, Pok Fu Lam (HK)

(73) Assignee: **URBAN TREND, LLC**, Newport Beach, CA (US)

(**) Term: **14 Years**

(21) Appl. No.: **29/474,645**

(22) Filed: **Dec. 9, 2014**

(51) **LOC (10) Cl.** **07-01**

(52) **U.S. Cl.**
USPC **D7/536; D7/533; D7/532**

(58) **Field of Classification Search**
USPC D7/507, 509, 527, 523, 532, 533, 535, D7/536, 534, 300, 589, 323, 331, 336, 339, D7/341, 361, 362, 402, 407, 408, 409, 416, D7/417, 213, 394, 393, 395, 401, 397, 376, D7/387, 667, 360, 396.2, 320, 319, 318, D7/317, 316, 314, 514, 515; D10/46.2; D32/53.1; 126/25 B, 144; D9/763, 767, D9/775, 776; 220/703, 592.16, 592.17, 220/710.5; D3/202

CPC . A47J 37/0704; A47J 37/0786; A47J 37/079; A47J 37/00; F24B 3/00; F23Q 13/00; A47G 21/184; A47G 19/2255; A47G 19/2227; A47G 23/0266

See application file for complete search history.

3,317,232 A * 5/1967 McFaul B65D 25/2829 294/33

D251,766 S * 5/1979 Hammerschmidt D7/394

D275,438 S * 9/1984 Everson D14/208

D303,336 S * 9/1989 Webster 294/33

4,932,542 A * 6/1990 Chen A47G 19/2227 215/374

D395,200 S * 6/1998 Bidwell D7/509

5,927,085 A * 7/1999 Waldman A47G 23/0258 215/395

D426,750 S * 6/2000 Madden-Askew D7/532

D427,489 S * 7/2000 Henry D7/532

D465,132 S * 11/2002 Janky D7/510

D481,583 S * 11/2003 Fino D7/354

D503,072 S * 3/2005 Norris D7/523

D563,173 S * 3/2008 Karam D7/509

7,344,038 B2 * 3/2008 Elansary B65D 1/0223 215/12.1

D568,106 S * 5/2008 Karam D7/509

D619,852 S * 7/2010 Bodum D7/523

D650,634 S * 12/2011 Hodge D7/523

D680,378 S * 4/2013 Romley D7/532

OTHER PUBLICATIONS

<http://agafdesign.pl/project/the-can-mug> Can Mug by Agaf Design.*
<https://web.archive.org/web/20111207231534/http://www.notonthehighstreet.com/indigomoss/product/tin-can-ceramic-mug-with-karabiner-handle> Can Mug Karabiner Handle.*

* cited by examiner

Primary Examiner — Marianne Pandozzi
Assistant Examiner — Jae Liang

(57) **CLAIM**
The ornamental design for a can cup, as shown and described.

DESCRIPTION

FIG. 1 is a left side view of a can cup of my new design;
FIG. 2 is a front view of FIG. 1;
FIG. 3 is a top view of FIG. 1;
FIG. 4 is a right side view of FIG. 1;
FIG. 5 is a rear view of FIG. 1;
FIG. 6 is a bottom view of FIG. 1; and,
FIG. 7 is a top, right and rear perspective view of FIG. 1.

1 Claim, 7 Drawing Sheets

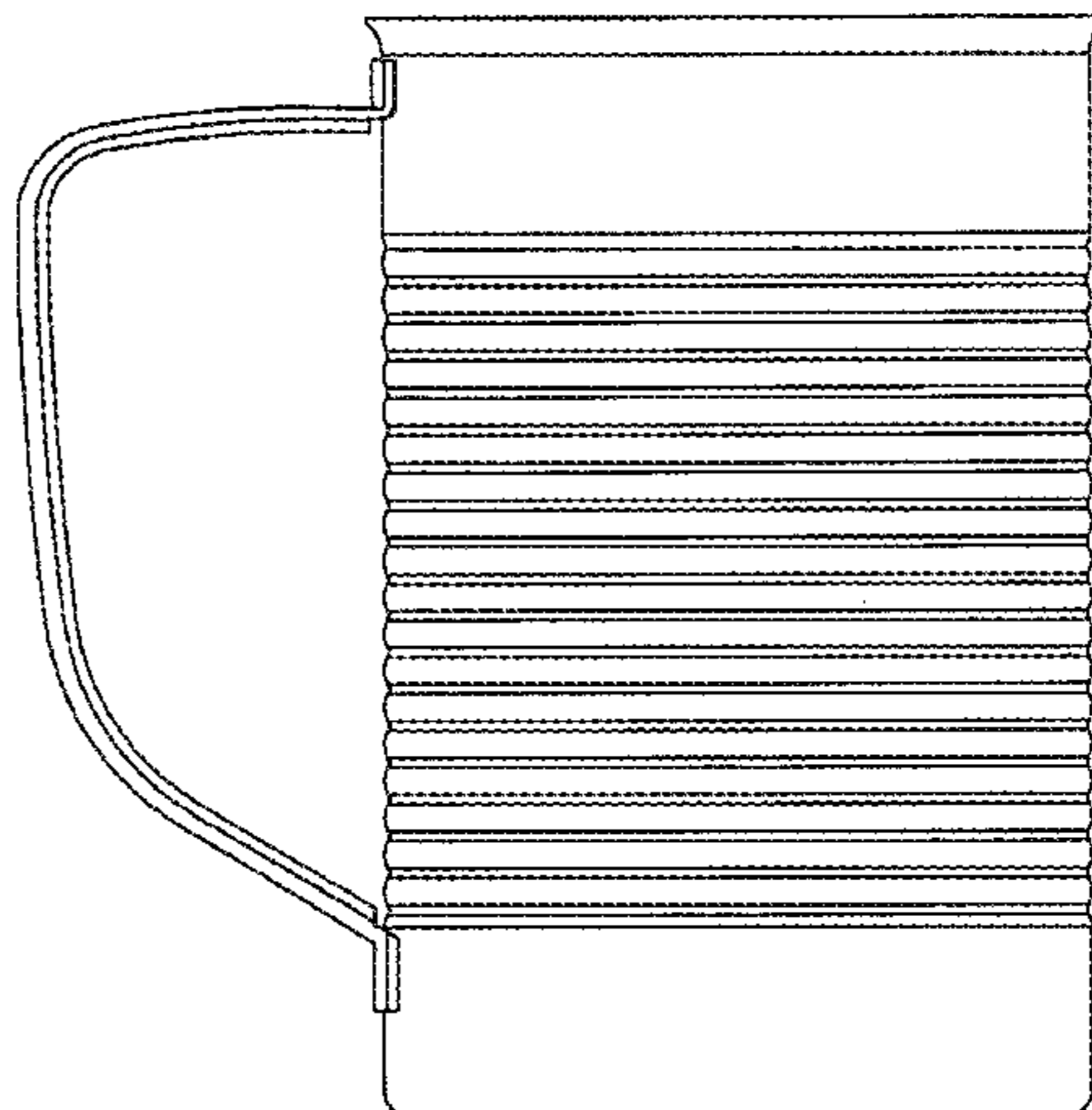
(56) **References Cited**
U.S. PATENT DOCUMENTS

2,028,566 A * 1/1936 Seipel A47G 23/0216 220/737

D155,289 S * 9/1949 Hoople D7/536

2,648,900 A * 8/1953 Anderson B67B 7/28 16/425

3,033,415 A * 5/1962 Carroll B67B 7/28 220/278



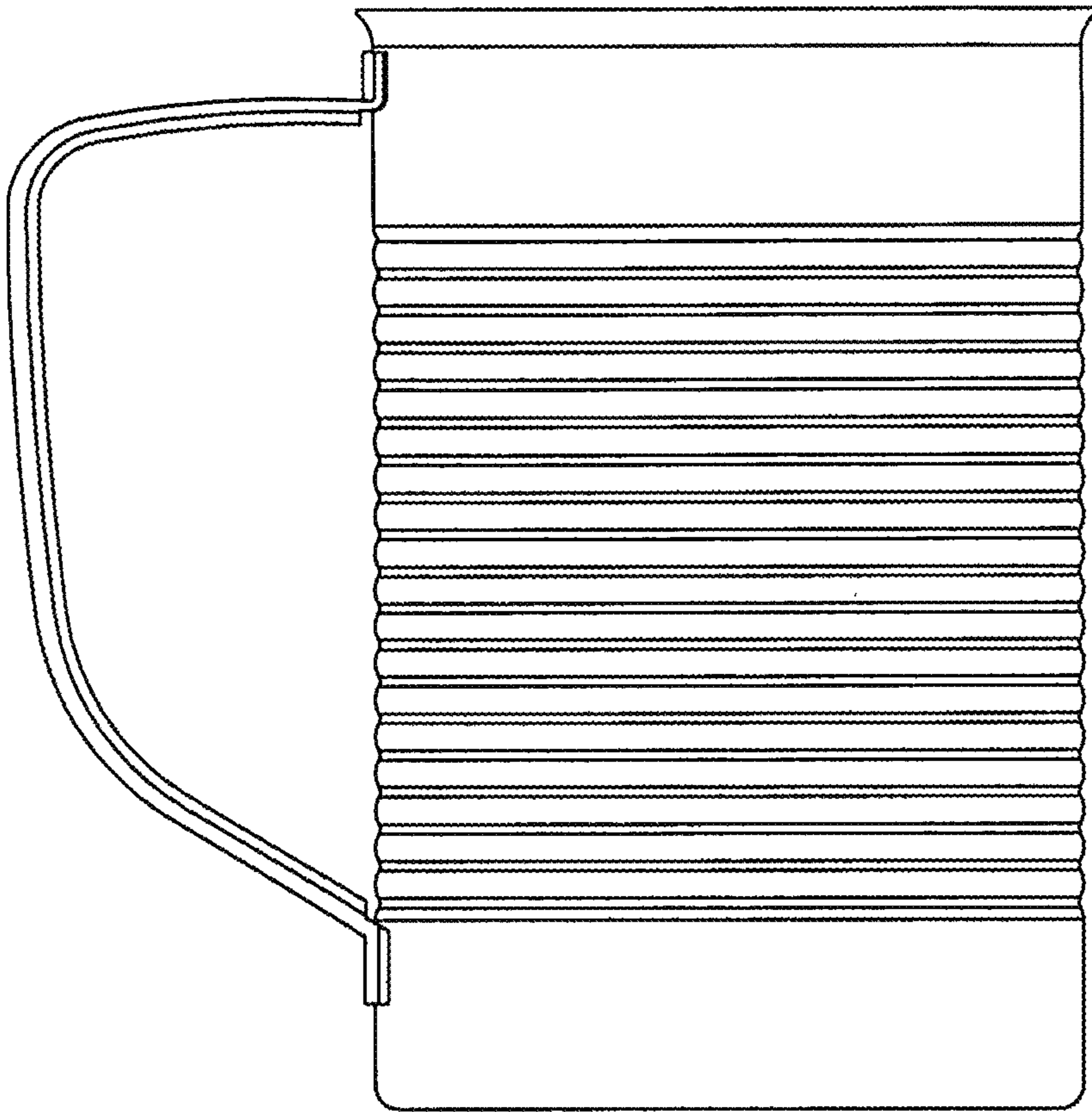


Fig.1

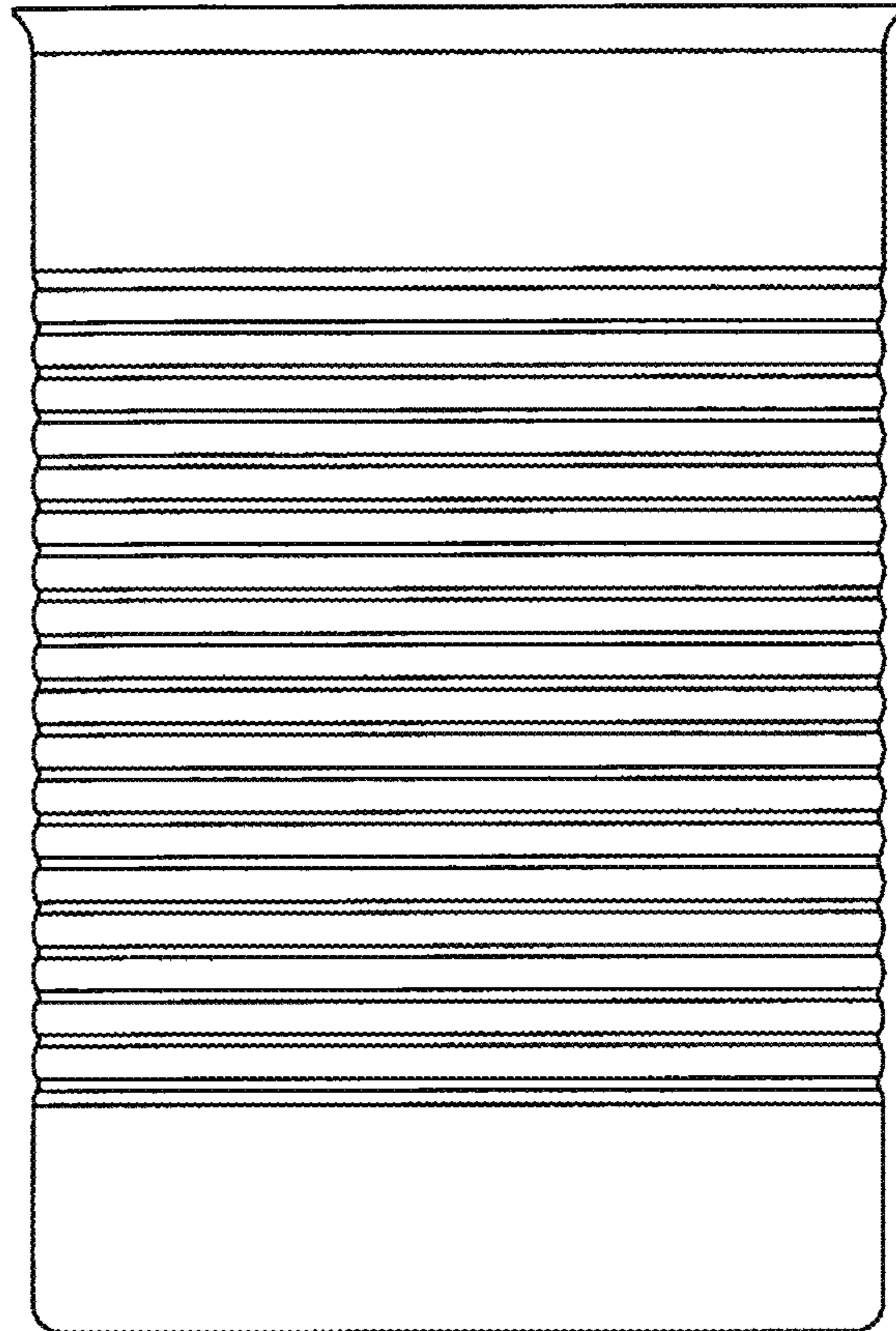


Fig.2

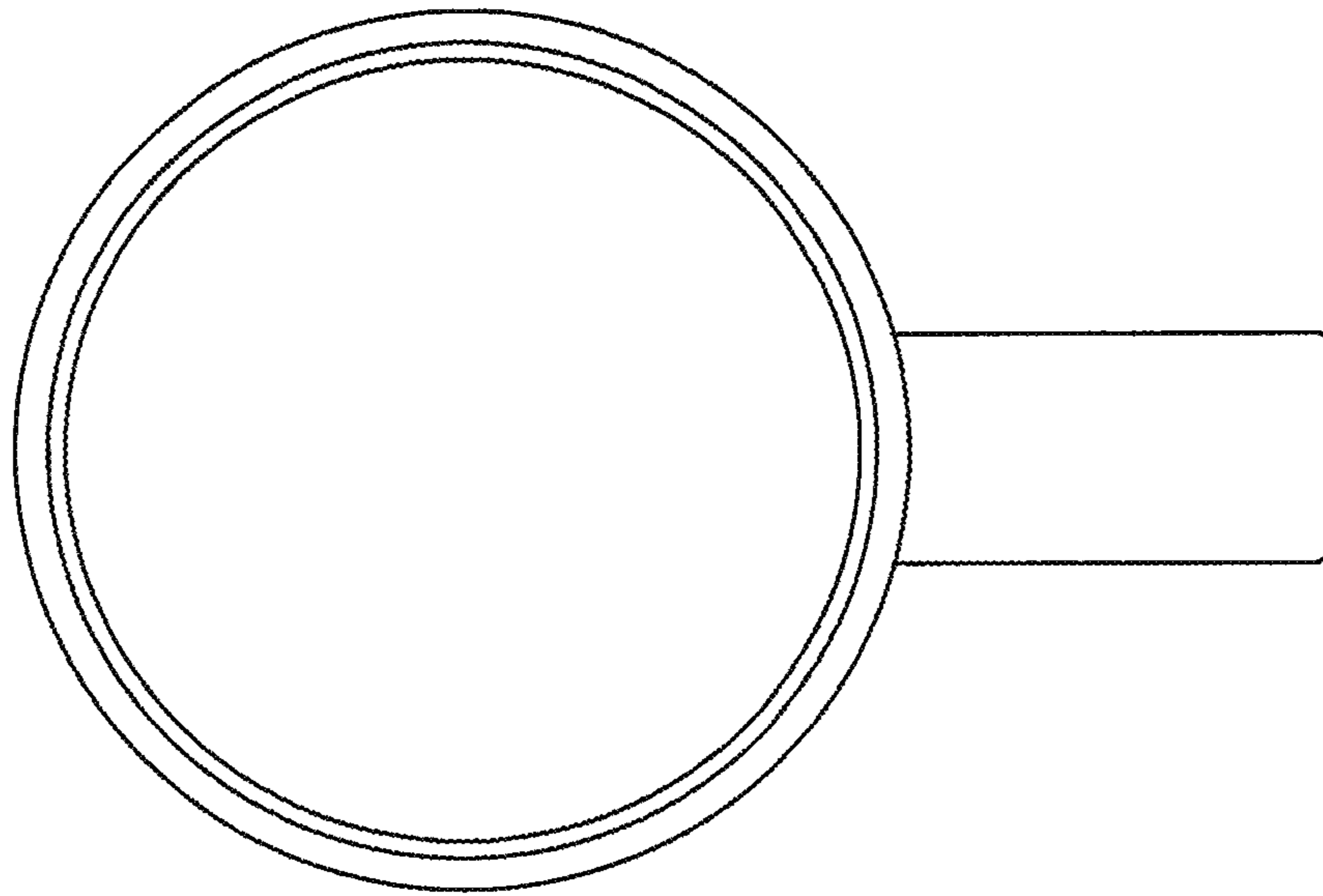


Fig. 3

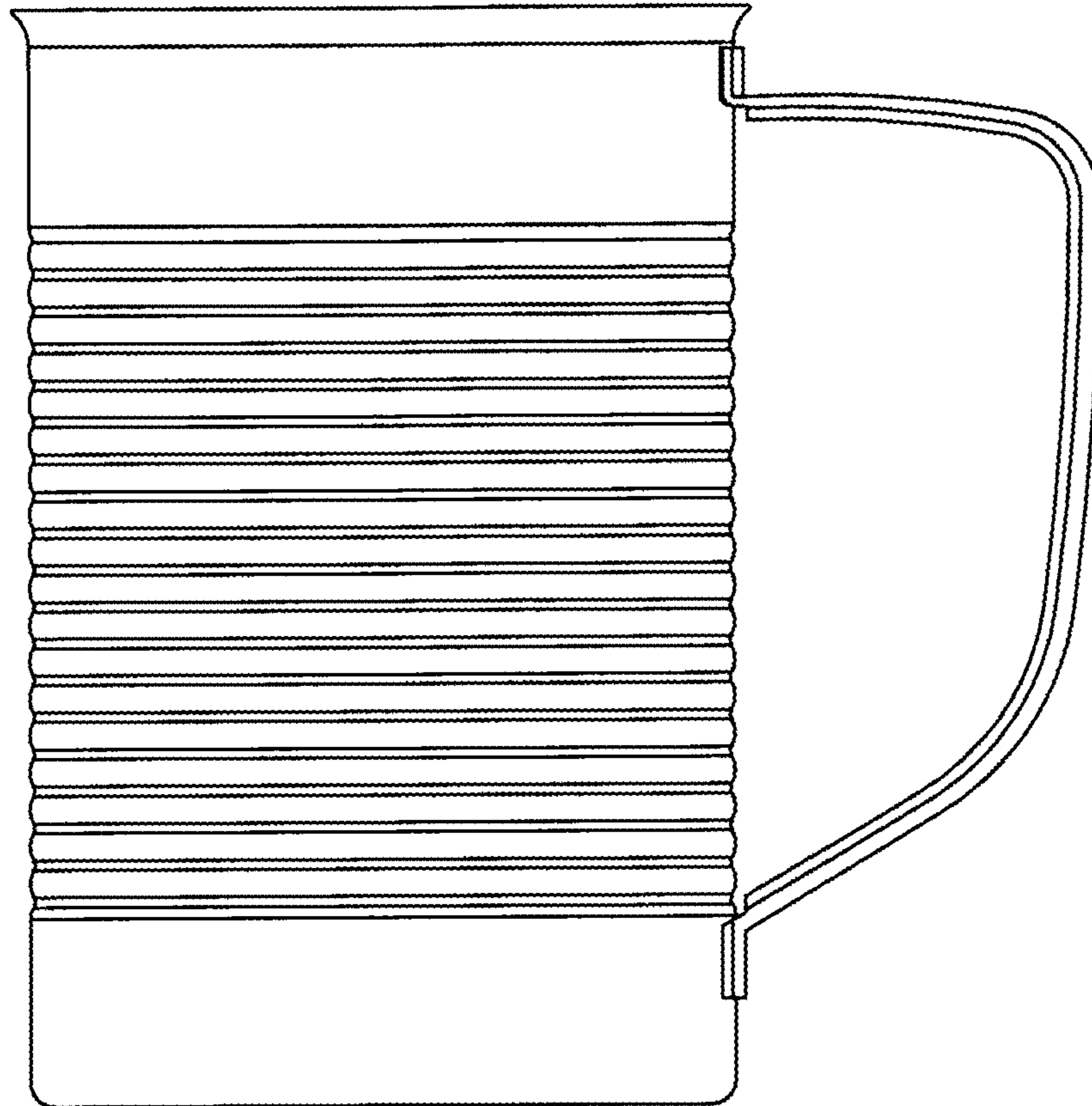


Fig.4

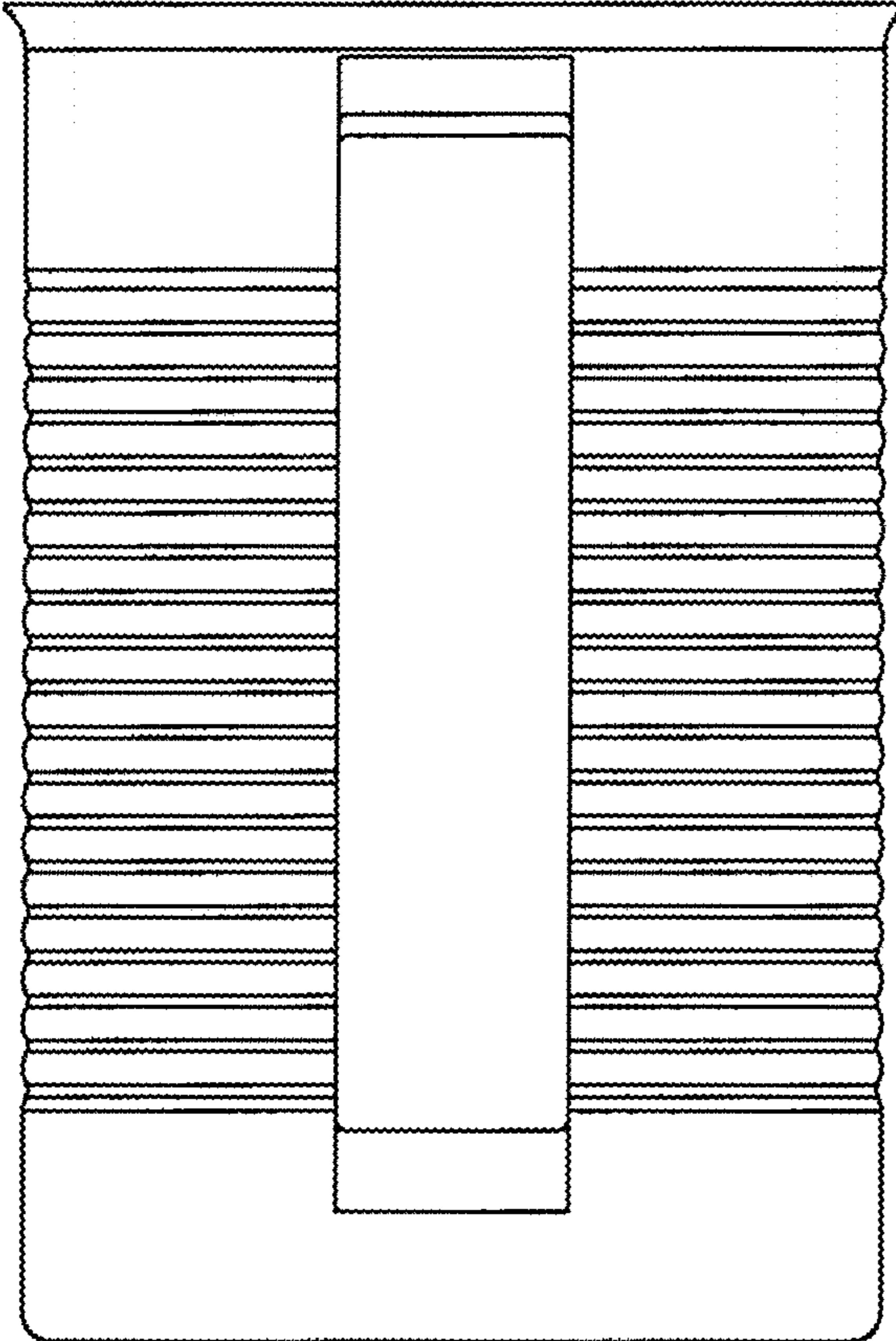


Fig.5

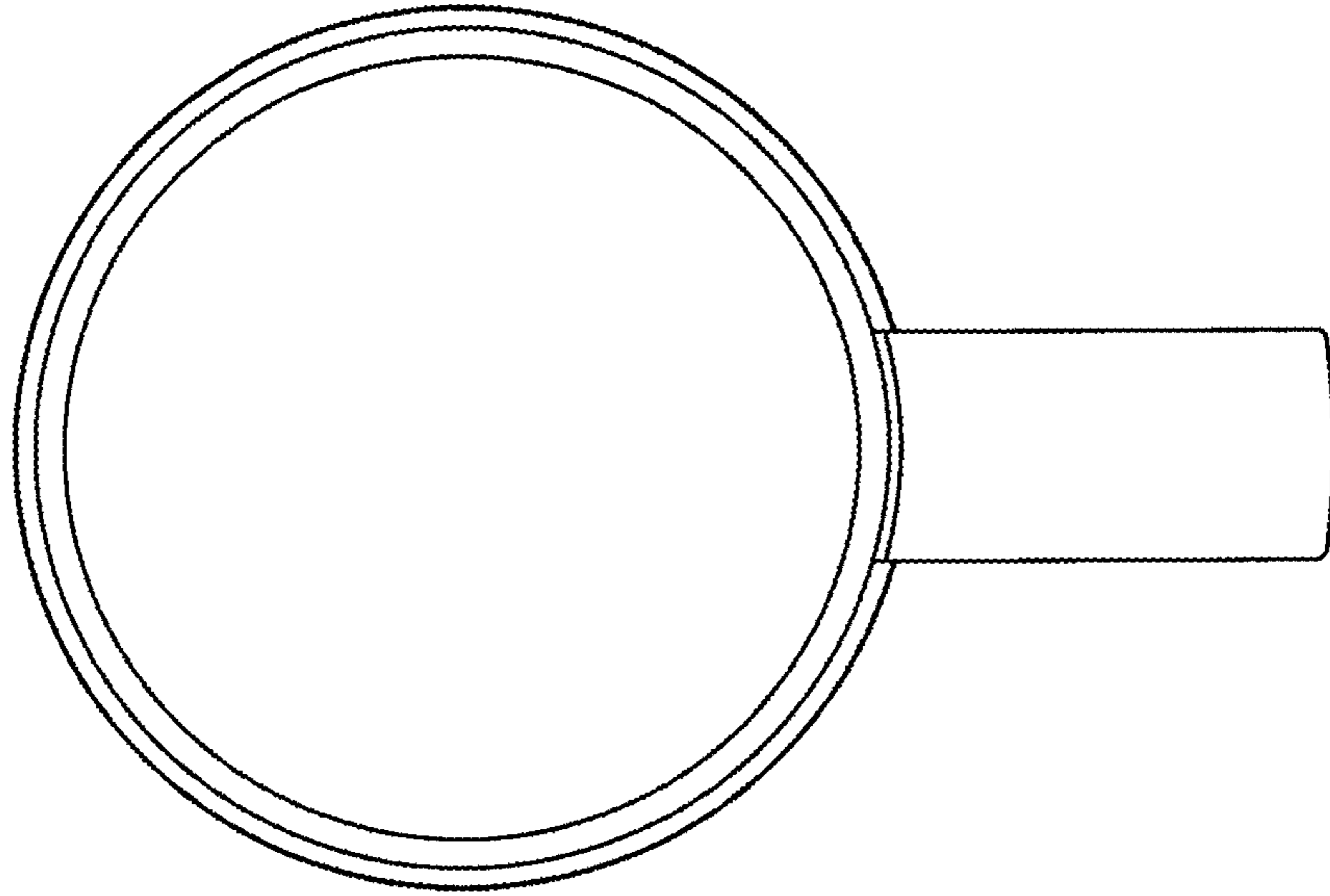


Fig.6

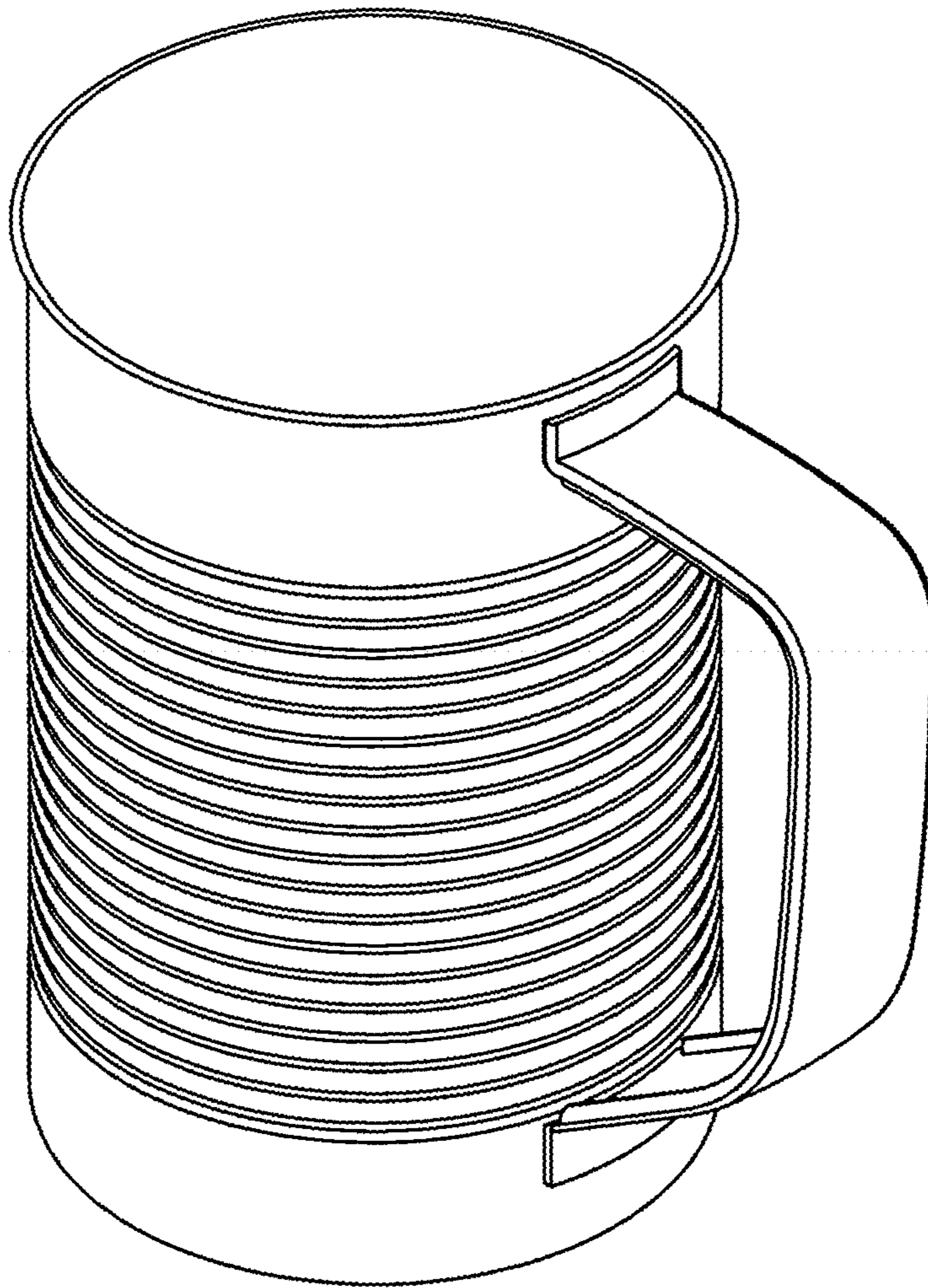


Fig.7