



US00D756711S

(12) **United States Design Patent**
Anzalone et al.

(10) **Patent No.:** **US D756,711 S**
(45) **Date of Patent:** **** May 24, 2016**

(54) **DROP SHOT BEVERAGE STEIN**
(71) Applicants: **Christopher Anzalone**, Eagle, ID (US);
Robert Kushner, Pok Fu Lam (HK)
(72) Inventors: **Christopher Anzalone**, Eagle, ID (US);
Robert Kushner, Pok Fu Lam (HK)
(73) Assignee: **URBAN Trend LLC**, Newport Beach,
CA (US)
(**) Term: **14 Years**

D229,156 S * 11/1973 Mousette 220/740
D405,641 S * 2/1999 Brady D7/317
D410,170 S * 5/1999 Sheu D7/317
5,921,431 A * 7/1999 Pych A47G 23/0241
215/10
D449,957 S * 11/2001 Yeh D7/317
D458,074 S * 6/2002 Bodum D7/317
D567,007 S * 4/2008 Bodum D7/317
D612,660 S * 3/2010 Bodum D7/317
D628,846 S * 12/2010 Bodum D7/317
D646,110 S * 10/2011 Munro D7/317
D677,103 S * 3/2013 Melzer D7/317
D718,567 S * 12/2014 Lu D7/317

(21) Appl. No.: **29/474,590**
(22) Filed: **Nov. 12, 2014**
(51) **LOC (10) Cl.** **07-01**
(52) **U.S. Cl.**
USPC **D7/536; D7/622**
(58) **Field of Classification Search**
USPC D7/619.1-625, 701-708, 509-536, 598,
D7/600, 318, 317, 316, 319, 305, 300,
D7/608; 220/742, 740
CPC A47G 23/0233; A47G 23/0258
See application file for complete search history.

* cited by examiner

Primary Examiner — Marianne Pandozzi

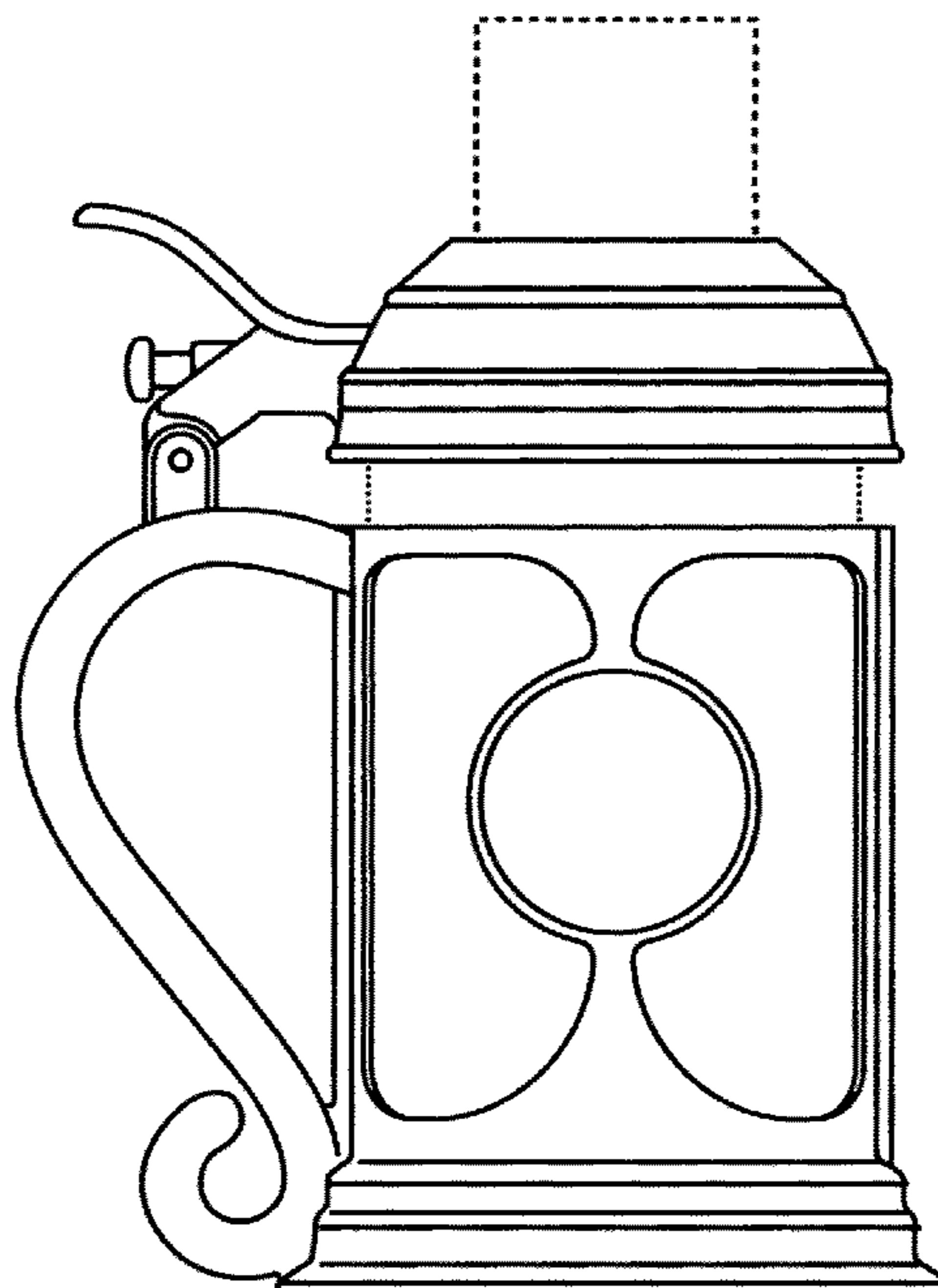
(57) **CLAIM**
The ornamental design for a drop shot beverage stein, as shown and described.

(56) **References Cited**
U.S. PATENT DOCUMENTS
2,896,812 A * 7/1959 Paprocki A47G 23/0266
220/740
D194,364 S * 1/1963 Hansen D7/511
D194,696 S * 2/1963 Kido D7/511
3,719,305 A * 3/1973 Pressnell A47G 23/0233
215/395

DESCRIPTION

FIG. 1 is a front view of a drop shot beverage stein of our new design;
FIG. 2 is a rear view of FIG. 1;
FIG. 3 is a left side view of FIG. 1;
FIG. 4 is a right side view of FIG. 1;
FIG. 5 is a bottom view of FIG. 1;
FIG. 6 is a top view of FIG. 1; and,
FIG. 7 is a front, top and right side perspective view of FIG. 1.
The broken lines in the drawings represent unclaimed subject matter and form no part of the claimed design.

1 Claim, 5 Drawing Sheets



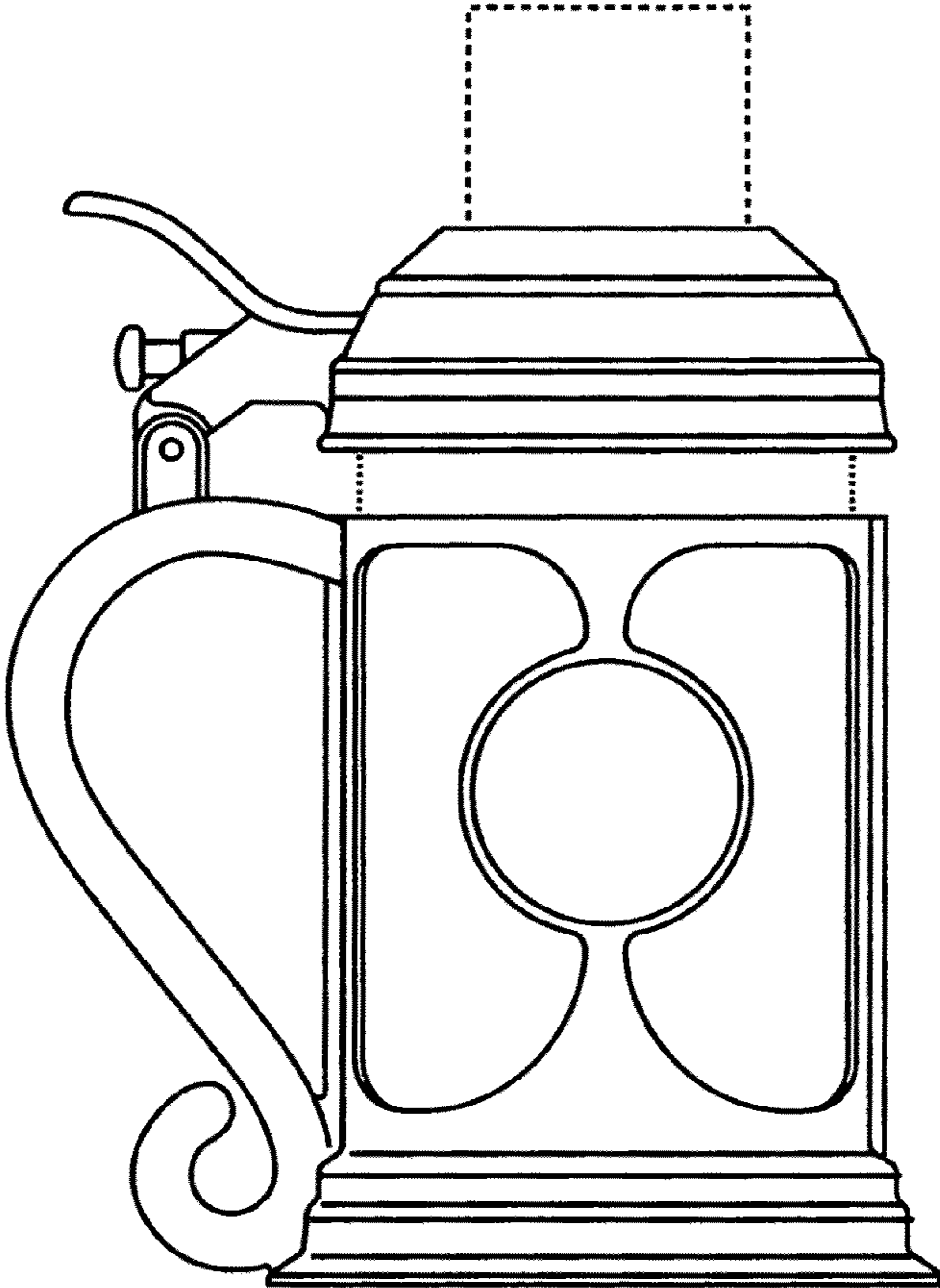


Fig. 1

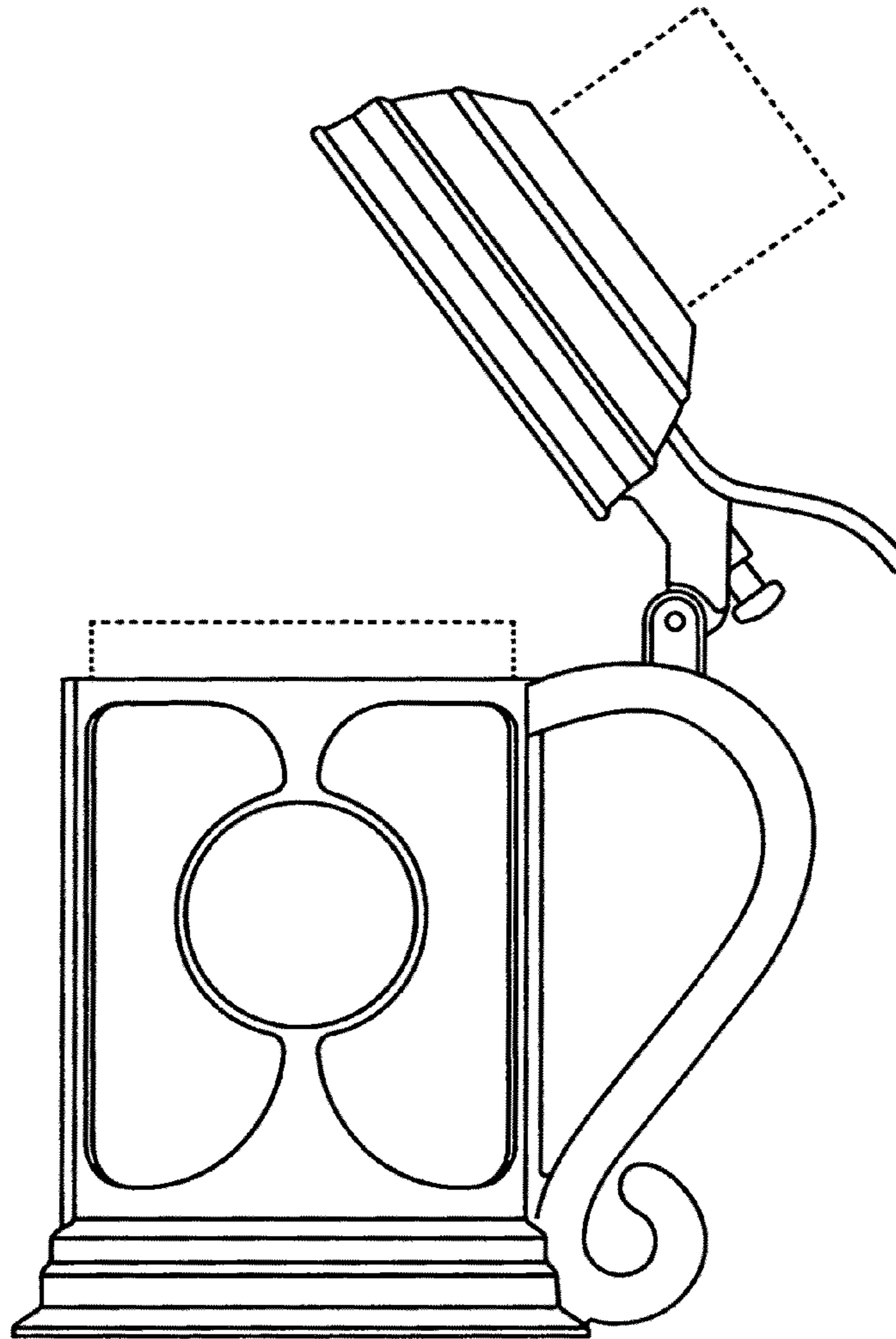


Fig. 2

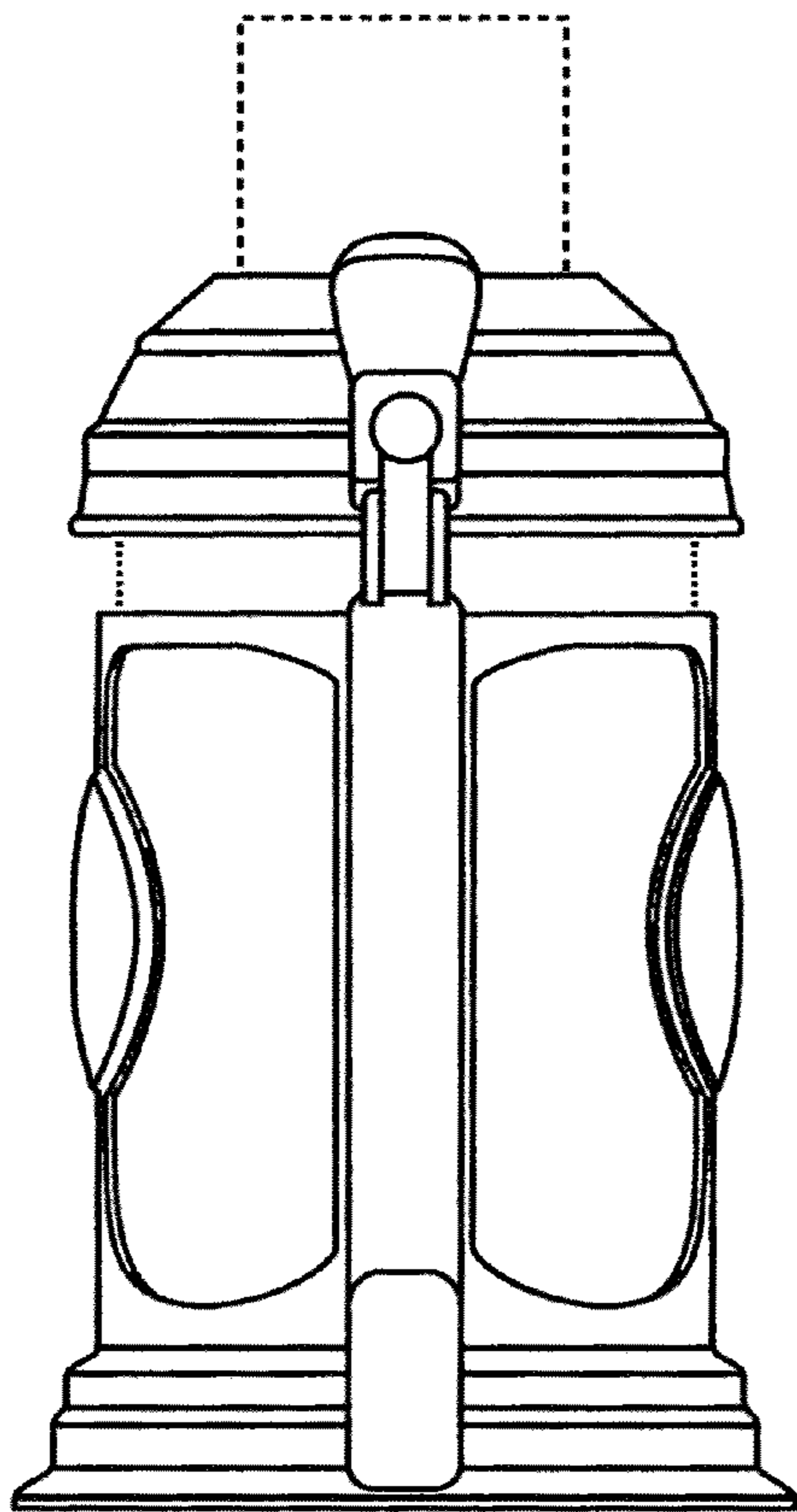


Fig. 3

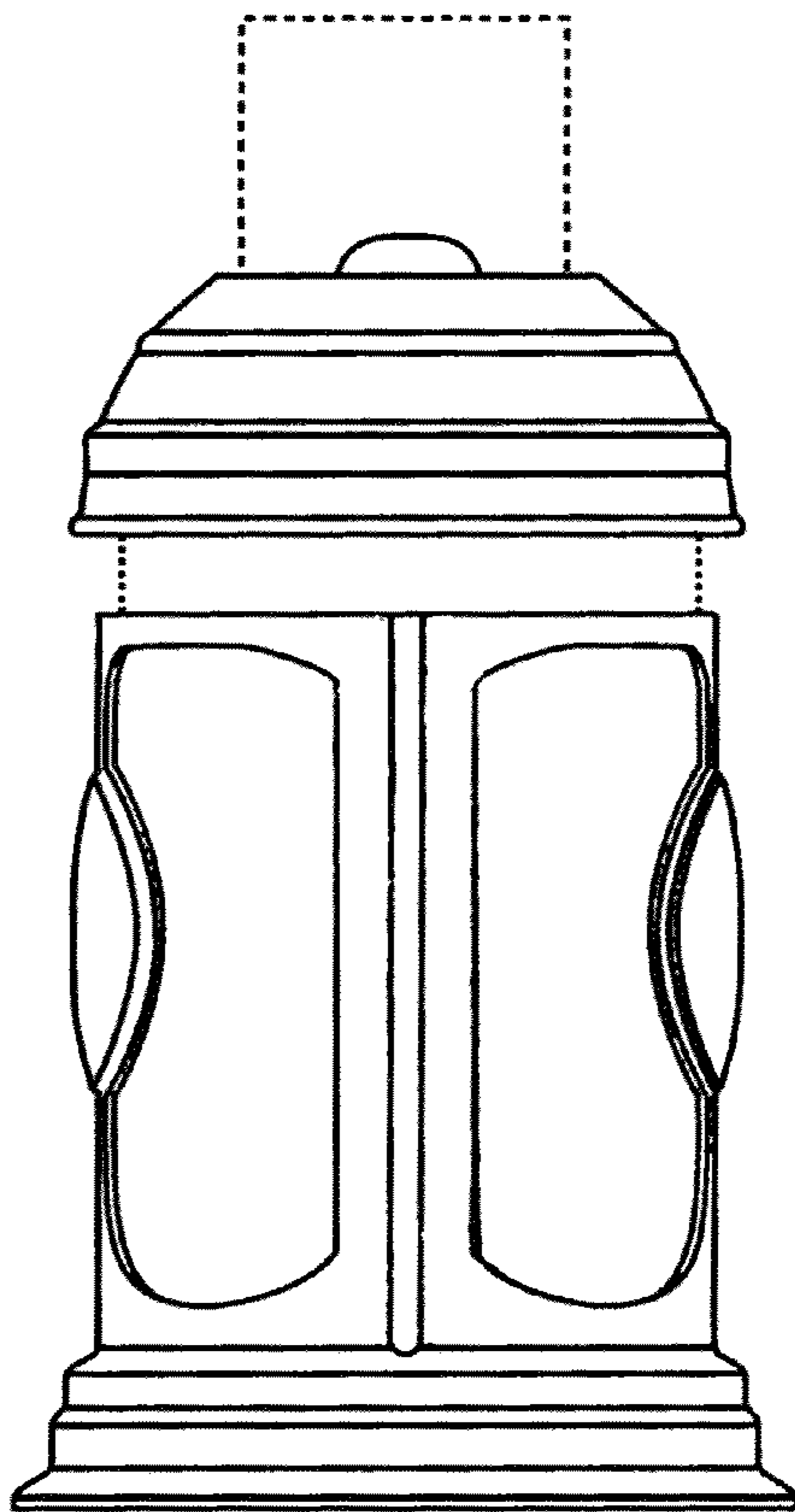


Fig. 4

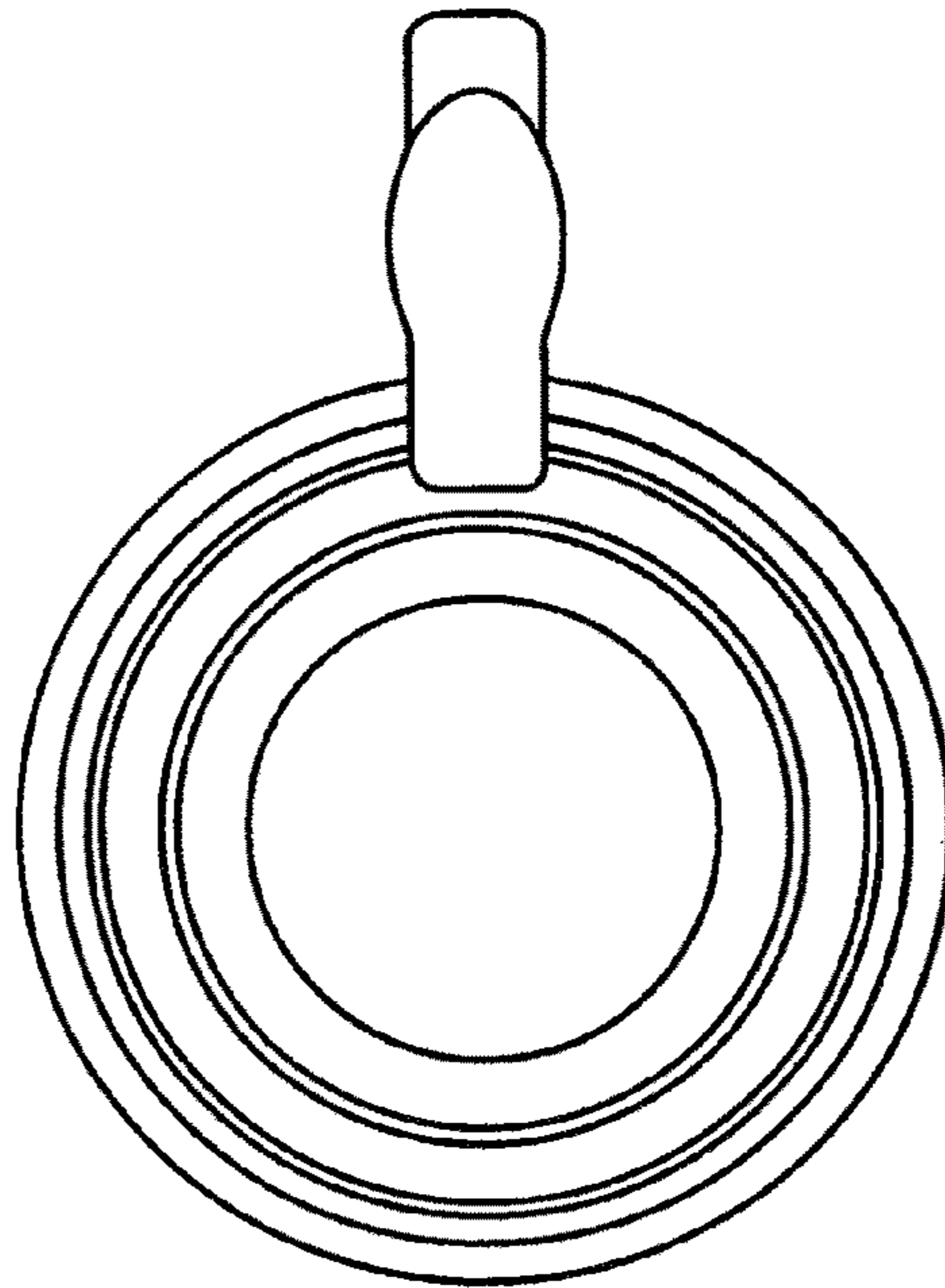


Fig. 6

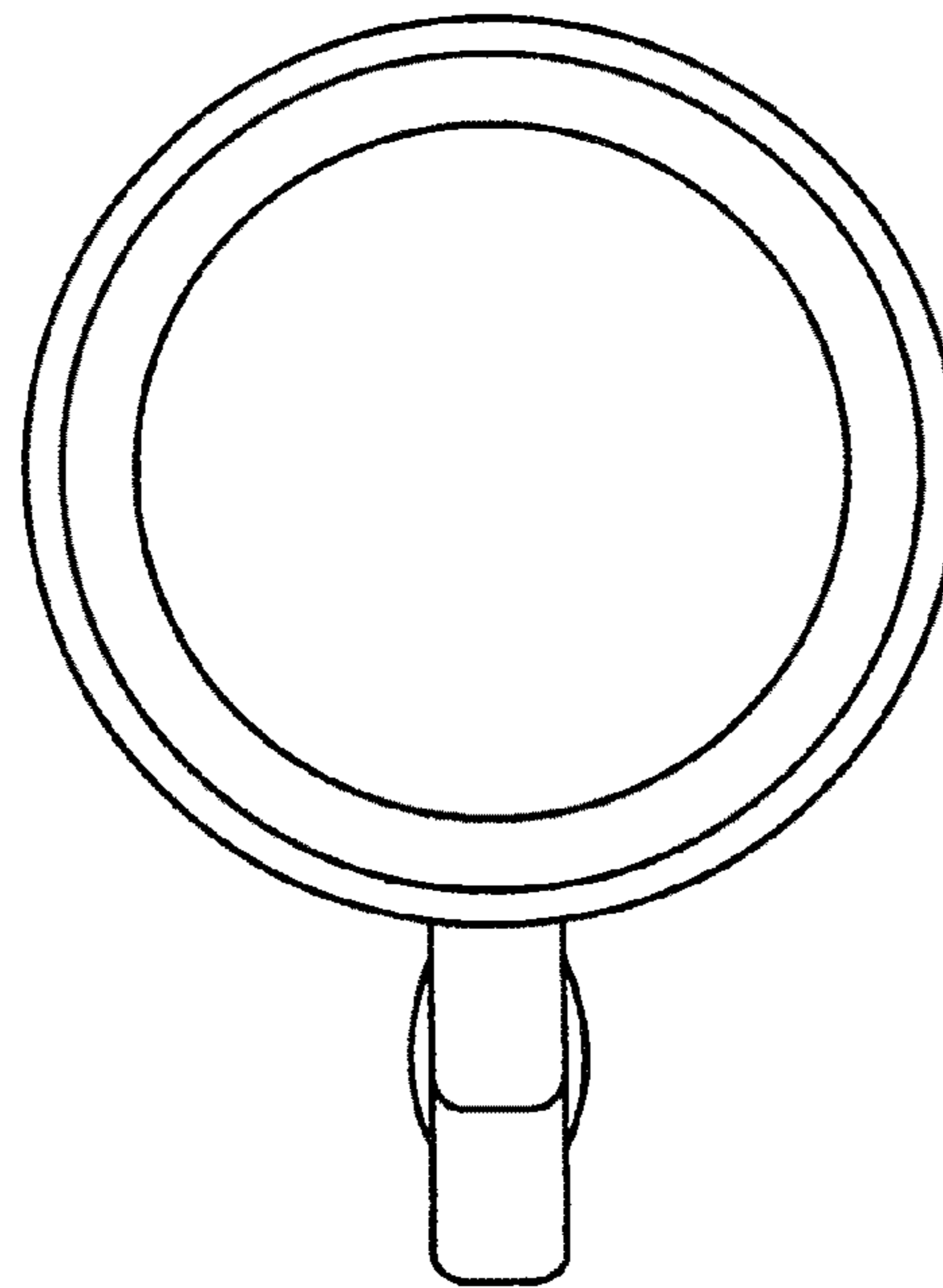


Fig. 5

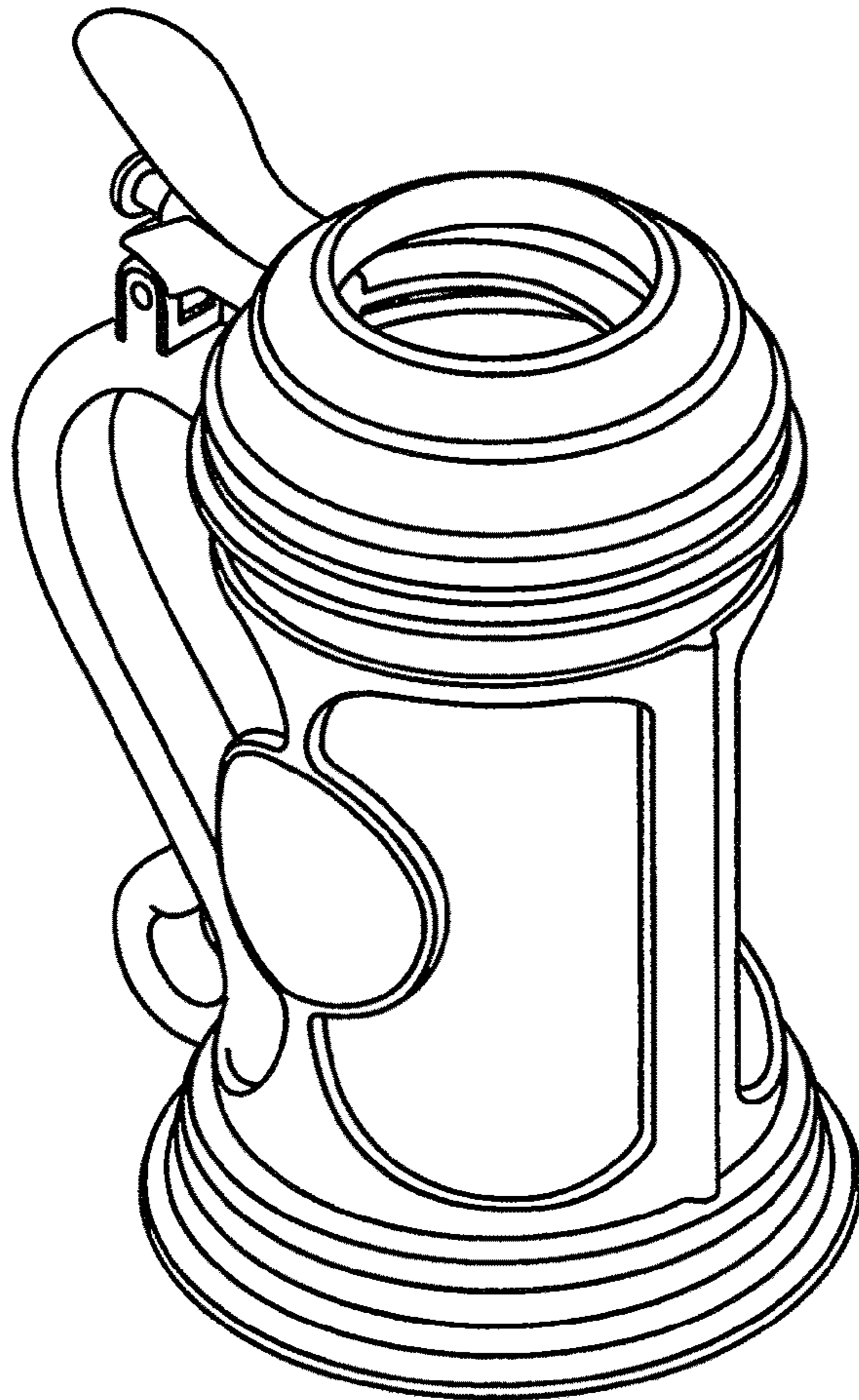


Fig. 7