



US00D756710S

(12) **United States Design Patent**  
**Beckman**

(10) **Patent No.:** **US D756,710 S**  
(45) **Date of Patent:** **\*\* May 24, 2016**

(54) **BEVERAGE CONTAINER**

(75) Inventor: **Michael Carl Beckman**, Seattle, WA  
(US)

(73) Assignee: **PACIFIC MARKET**  
**INTERNATIONAL, LLC**, Seattle, WA  
(US)

(\*\*) Term: **14 Years**

(21) Appl. No.: **29/419,218**

(22) Filed: **Apr. 26, 2012**

(51) **LOC (10) Cl.** ..... **07-01**

(52) **U.S. Cl.**

USPC ..... **D7/536**; D7/510; D7/521; D7/533

(58) **Field of Classification Search**

USPC ..... D7/510, 511, 522, 524, 528, 515, 533,  
D7/536, 537, 542; 215/331, 44, 276, 377,  
215/11.1; 220/675

CPC ..... B65D 51/145; B65D 45/32; B65D 1/10  
See application file for complete search history.

(56) **References Cited**

**U.S. PATENT DOCUMENTS**

|           |   |   |         |                   |       |         |
|-----------|---|---|---------|-------------------|-------|---------|
| 22,186    | A | * | 11/1858 | Mason             | ..... | 215/44  |
| 49,256    | A | * | 8/1865  | Bennett           | ..... | 215/276 |
| 100,306   | A | * | 3/1870  | Mason             | ..... | 215/276 |
| 1,978,978 | A | * | 10/1934 | Bailey            | ..... | 215/276 |
| D236,573  | S | * | 9/1975  | Rothstein         | ..... | D7/539  |
| D247,475  | S |   | 3/1978  | Newman            |       |         |
| D249,998  | S | * | 10/1978 | Gobleck, Jr.      | ..... | D7/613  |
| D308,800  | S | * | 6/1990  | Durand            | ..... | D7/521  |
| D356,499  | S |   | 3/1995  | Cautereels et al. |       |         |
| 5,704,510 | A |   | 1/1998  | Feltman et al.    |       |         |
| D433,596  | S |   | 11/2000 | Price             |       |         |
| D436,294  | S |   | 1/2001  | Marck             |       |         |
| D462,579  | S |   | 9/2002  | Janky             |       |         |
| D466,371  | S |   | 12/2002 | Parker            |       |         |
| D485,759  | S |   | 1/2004  | Janky et al.      |       |         |
| D486,997  | S | * | 2/2004  | Janky             | ..... | D7/531  |

|          |   |   |        |           |       |          |
|----------|---|---|--------|-----------|-------|----------|
| D493,332 | S |   | 7/2004 | Bin       |       |          |
| D501,759 | S | * | 2/2005 | Sands     | ..... | D7/536   |
| D521,802 | S | * | 5/2006 | Sands     | ..... | D7/396.2 |
| D522,860 | S |   | 6/2006 | LaFortune |       |          |

(Continued)

**OTHER PUBLICATIONS**

U.S. Appl. No. 29/419,216, filed Apr. 26, 2012, Beckman.

(Continued)

*Primary Examiner* — Ian Simmons

*Assistant Examiner* — Rashida C McCoy

(74) *Attorney, Agent, or Firm* — George C. Rondeau, Jr.;  
Davis Wright Tremaine LLP

(57) **CLAIM**

The ornamental design for a beverage container, as shown and described.

**DESCRIPTION**

FIG. 1 is a top rear perspective view of a beverage container showing my new design.

FIG. 2 is a left side elevational view thereof.

FIG. 3 is a right side elevational view thereof.

FIG. 4 is a front elevational view thereof.

FIG. 5 is a rear elevational view thereof.

FIG. 6 is a top plan view thereof.

FIG. 7 is a bottom plan view thereof.

FIG. 8 is a top rear perspective view of a second embodiment thereof.

FIG. 9 is a left side elevational view thereof.

FIG. 10 is a right side elevational view thereof.

FIG. 11 is a front elevational view thereof.

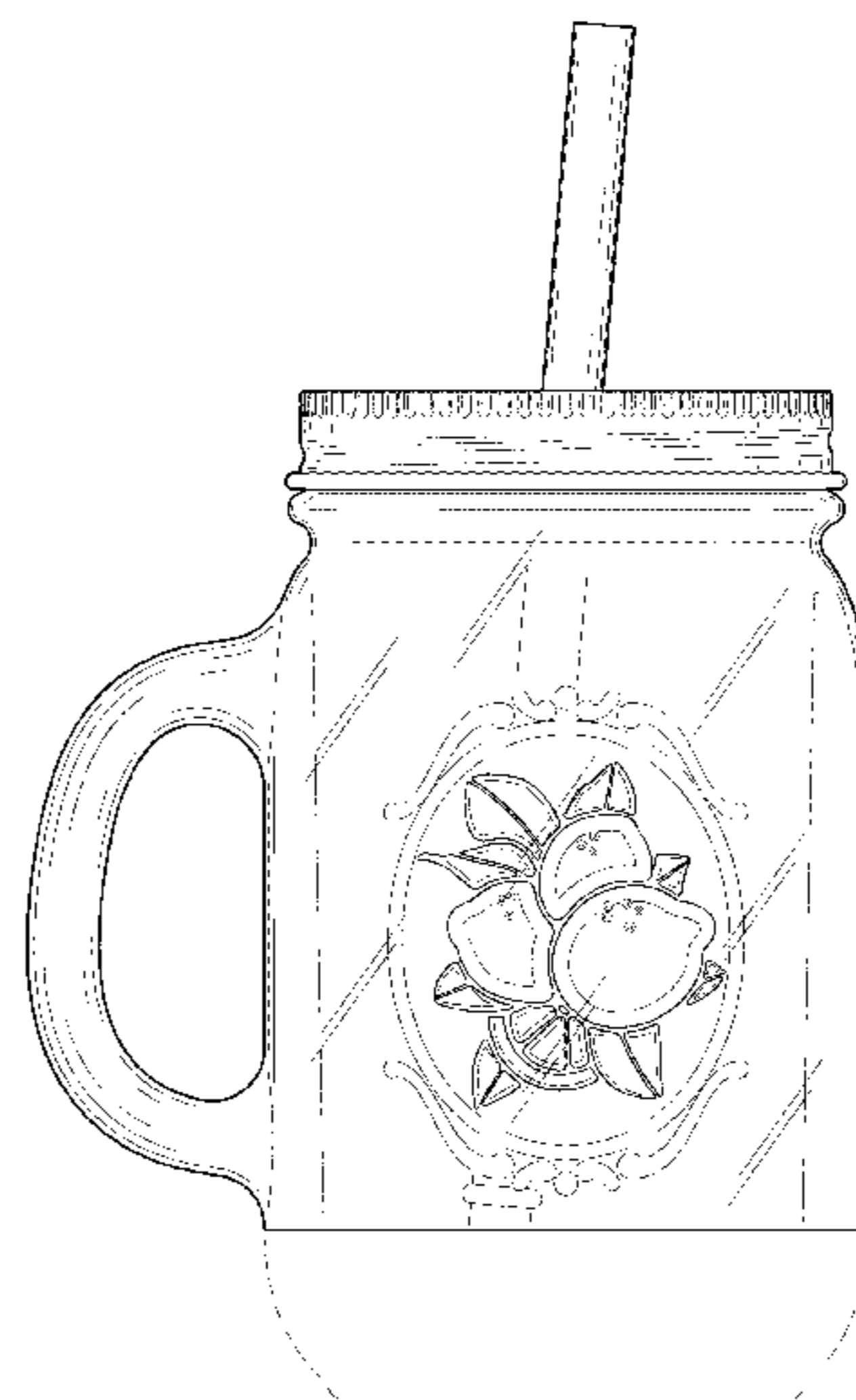
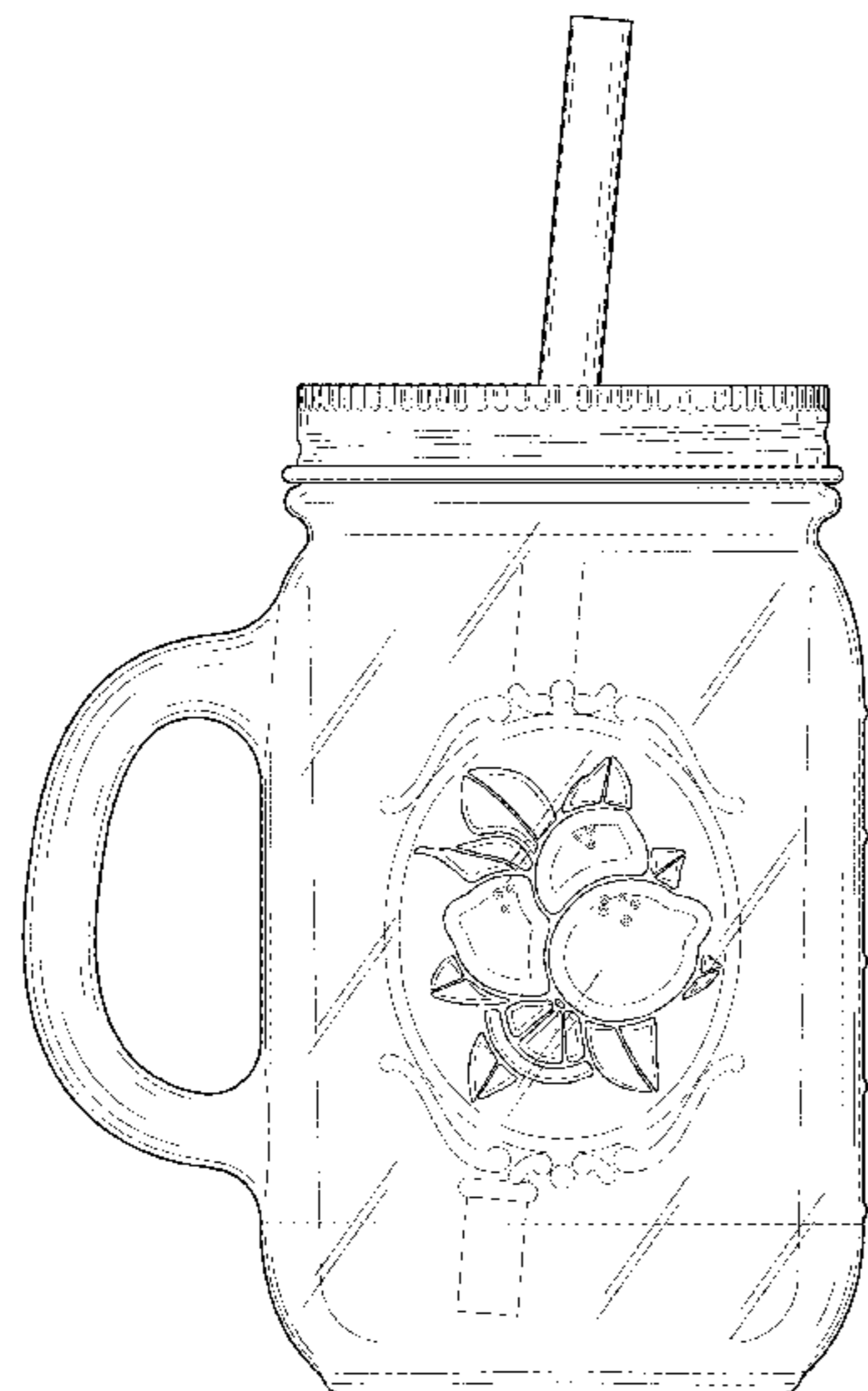
FIG. 12 is a rear elevational view thereof.

FIG. 13 is a top plan view thereof; and,

FIG. 14 is a bottom plan view thereof.

The broken lines represent portions of the beverage container that form no part of the claim.

**1 Claim, 12 Drawing Sheets**



(56)

**References Cited**

U.S. PATENT DOCUMENTS

D524,602 S \* 7/2006 Arduini ..... D7/536  
D535,877 S 1/2007 Tanninen et al.  
D567,657 S 4/2008 Hall et al.  
D615,817 S \* 5/2010 George ..... D7/510  
D627,192 S 11/2010 Gilbert et al.  
D631,284 S 1/2011 Fuller

D667,263 S 9/2012 Gilbert et al.  
D674,663 S 1/2013 Cahen  
D719,785 S \* 12/2014 Grcic ..... D7/536  
2002/0011494 A1 1/2002 Lukacevic

OTHER PUBLICATIONS

U.S. Appl. No. 29/425,852, filed Jun. 27, 2012, Beckman.

\* cited by examiner

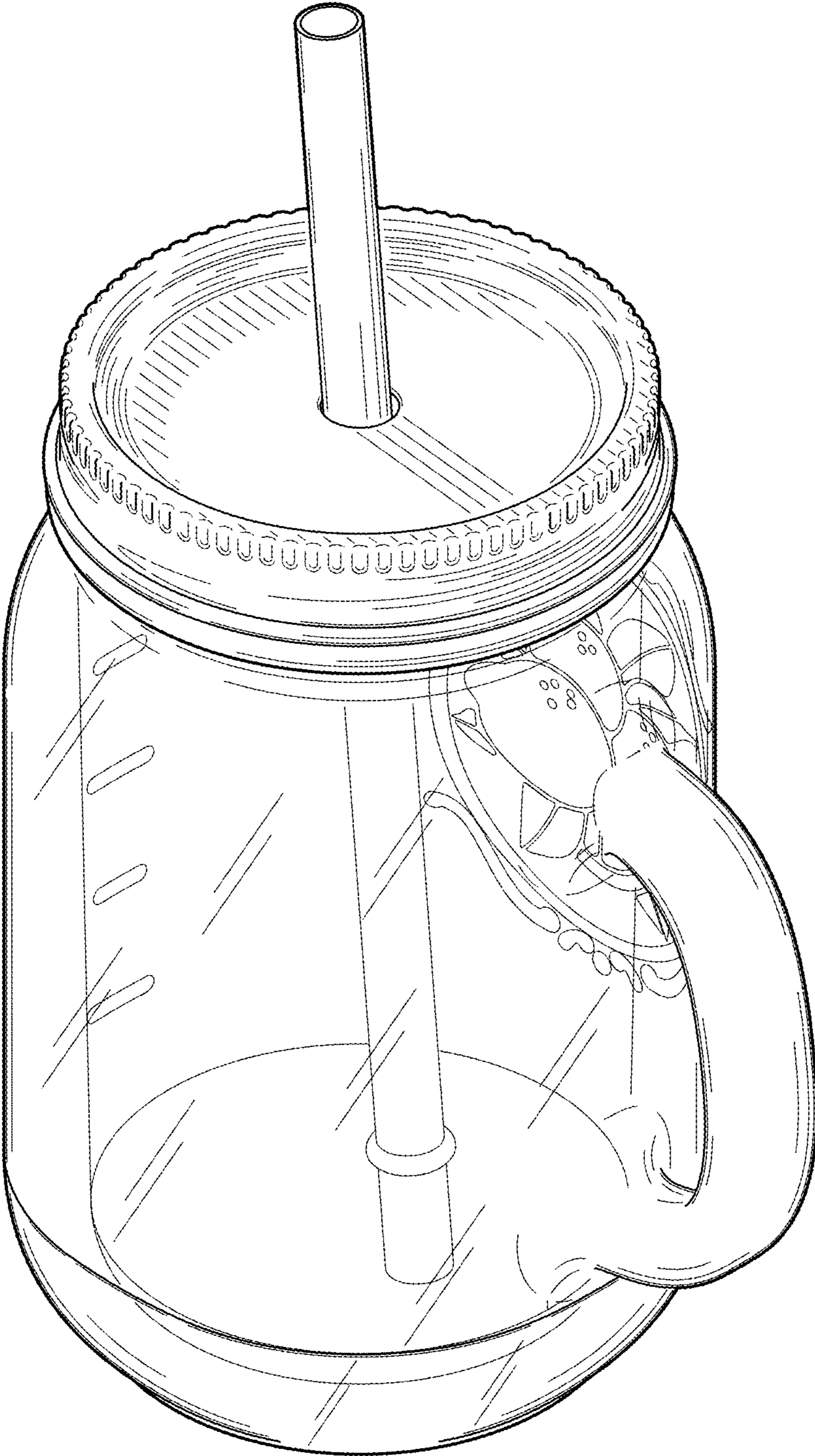


FIG.1



FIG.2



FIG. 3

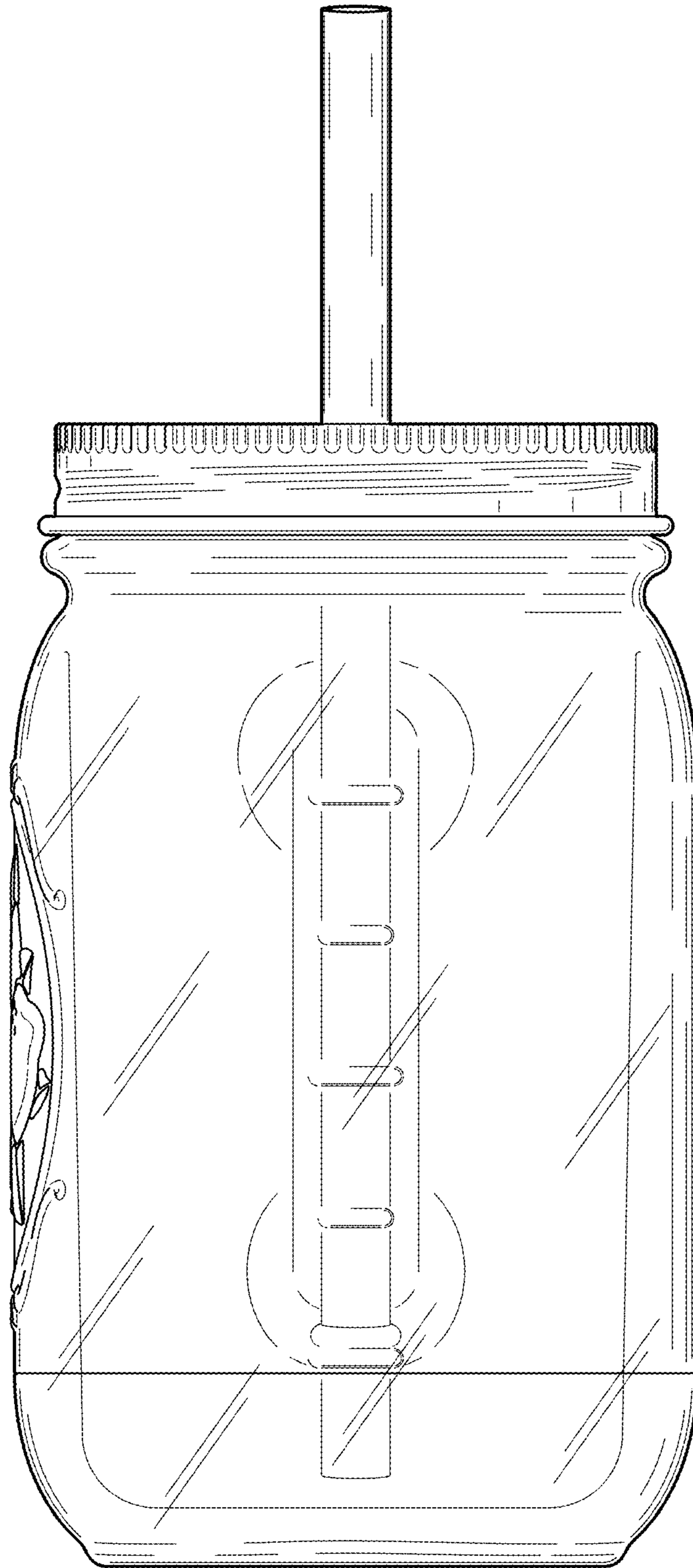


FIG. 4

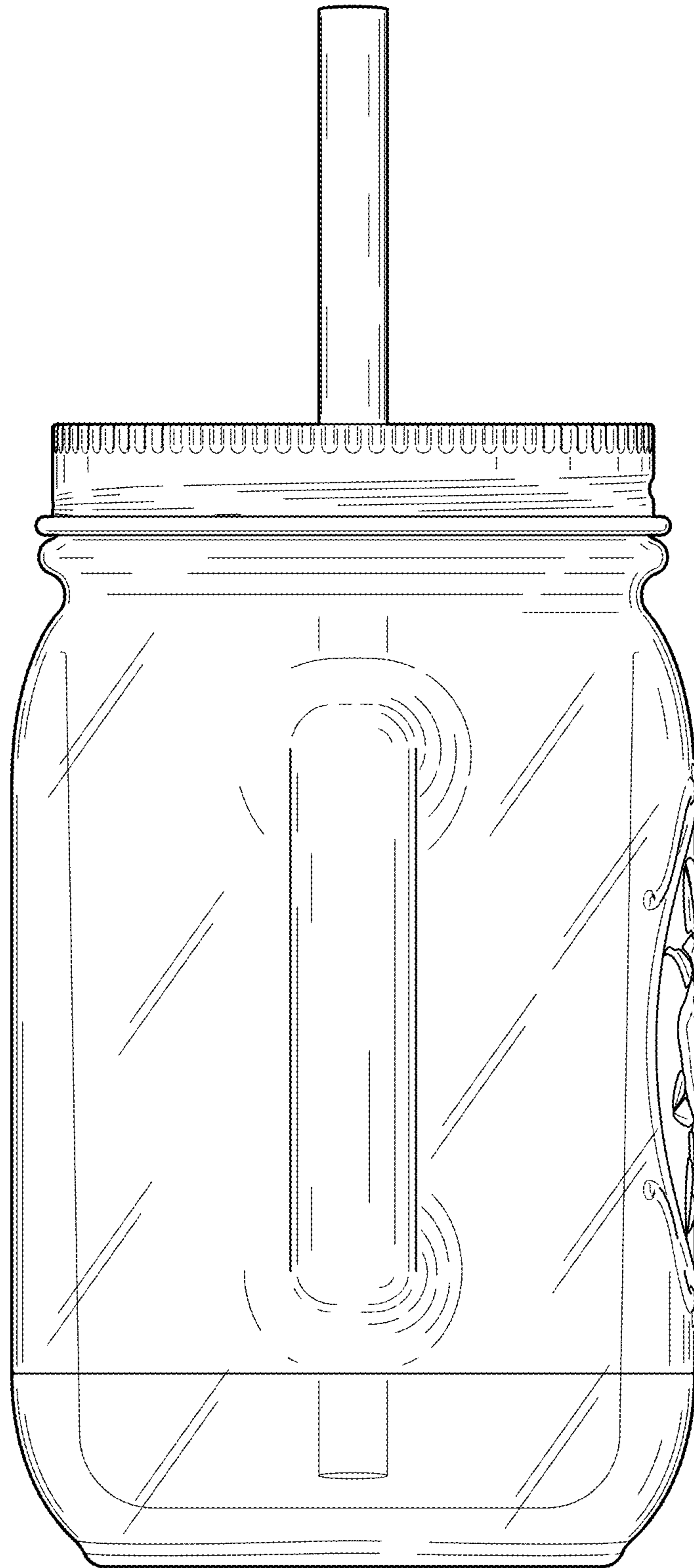


FIG. 5

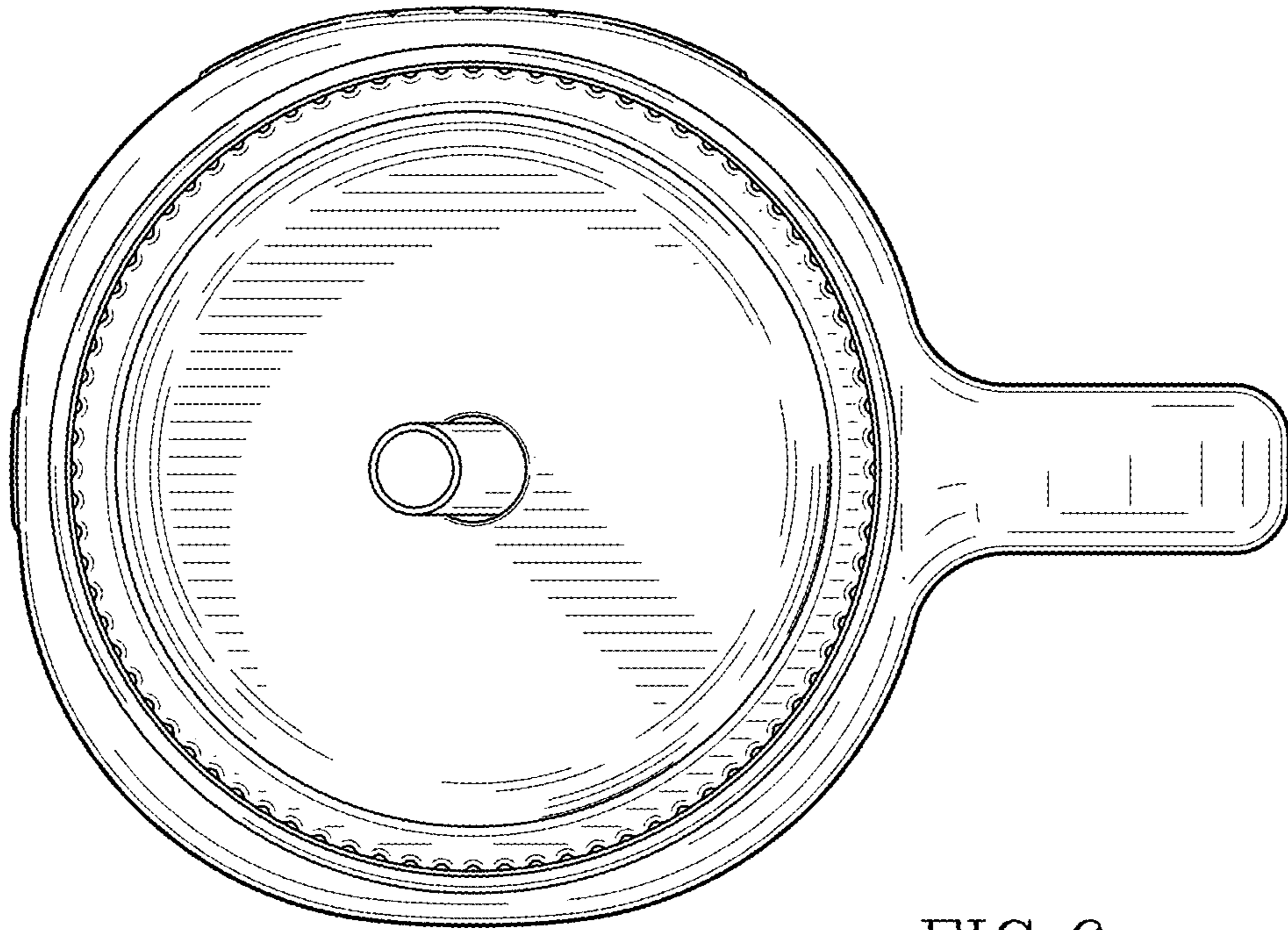


FIG. 6

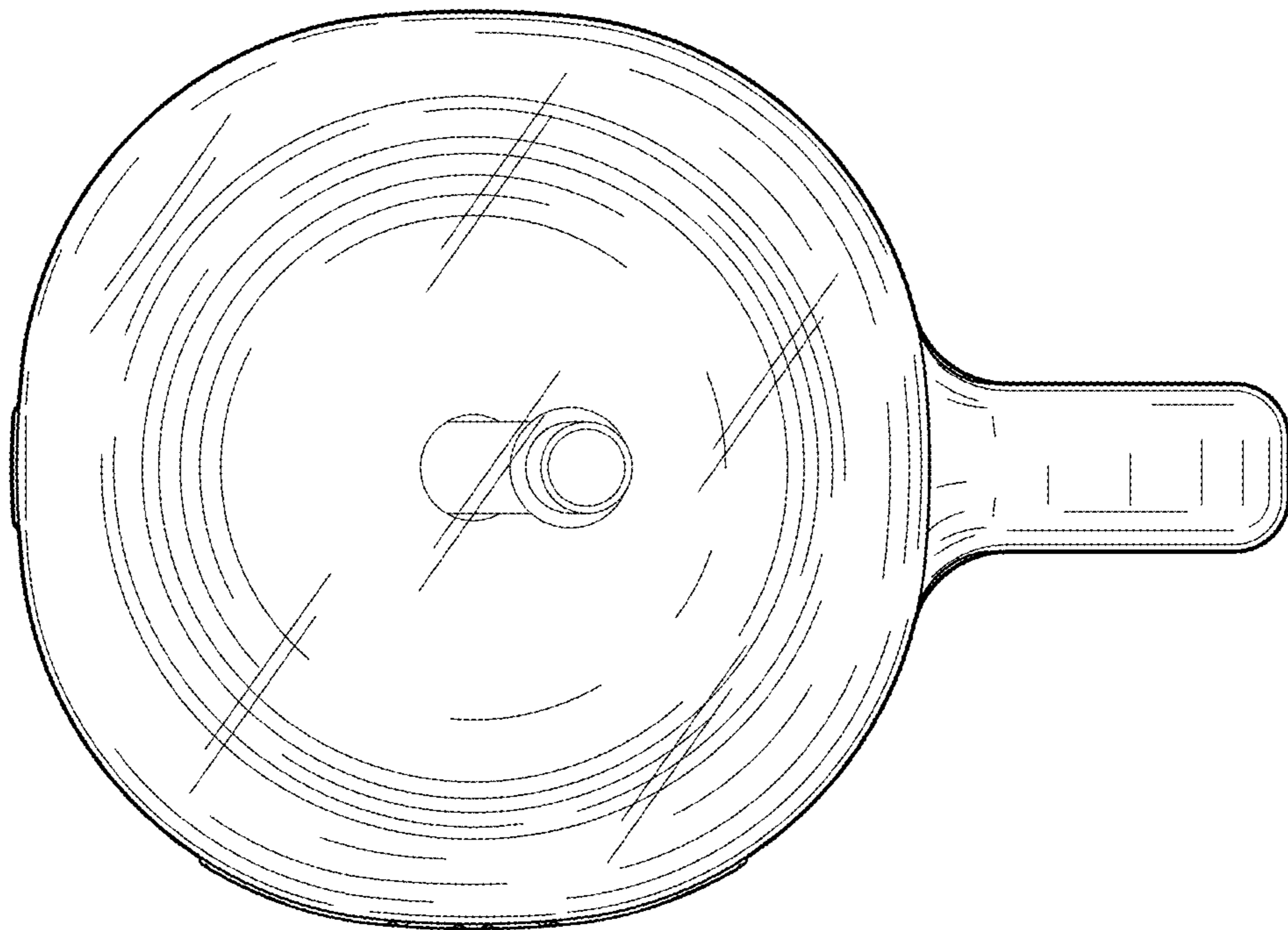


FIG. 7



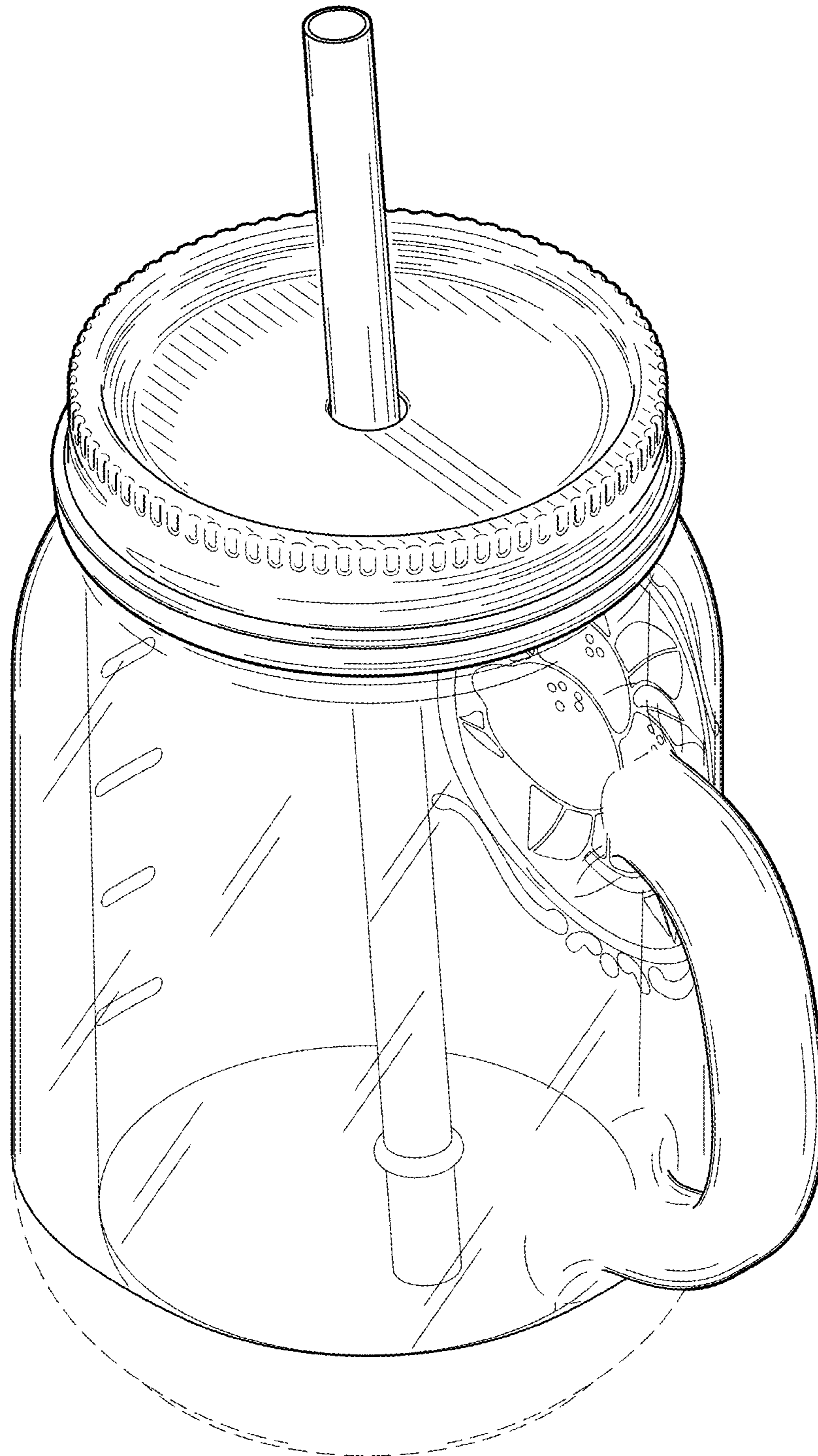


FIG. 8



FIG. 9



FIG.10

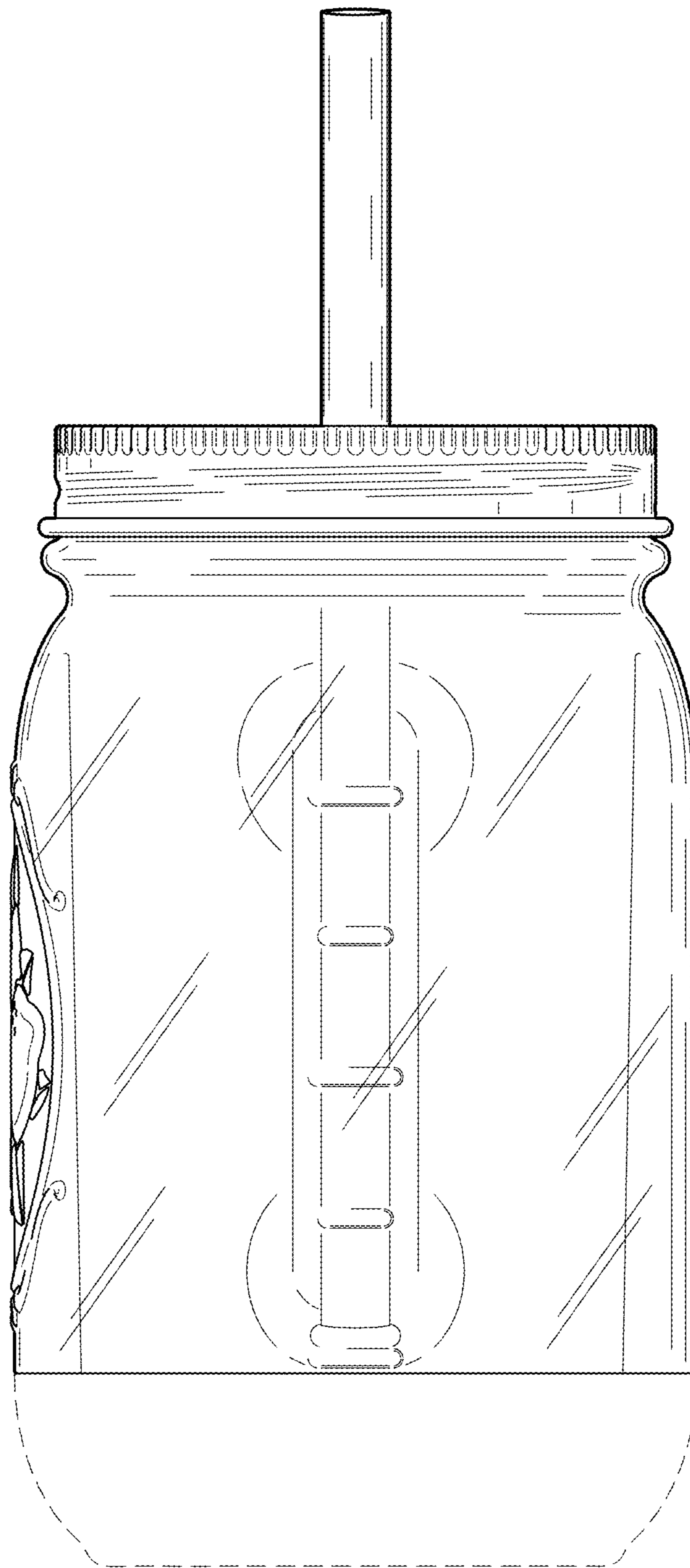


FIG. 11

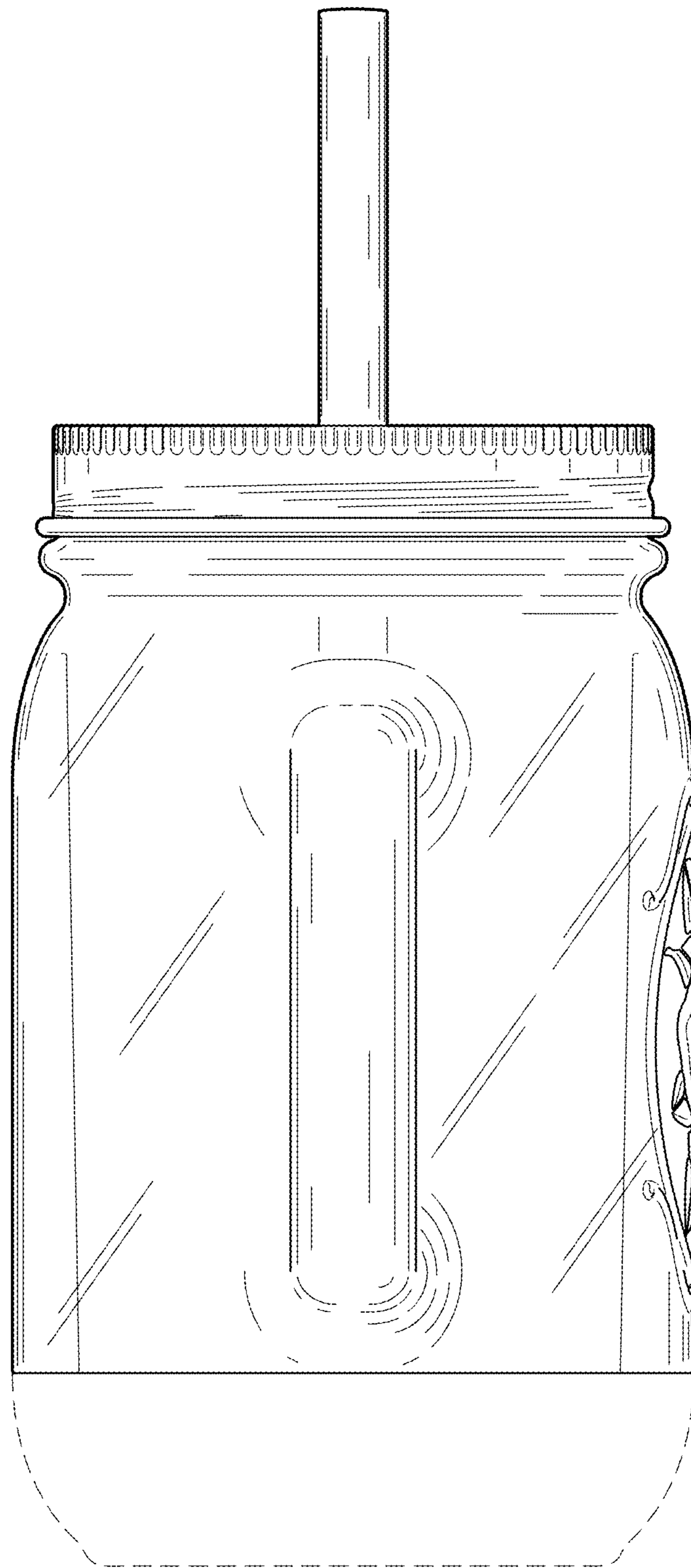


FIG. 12

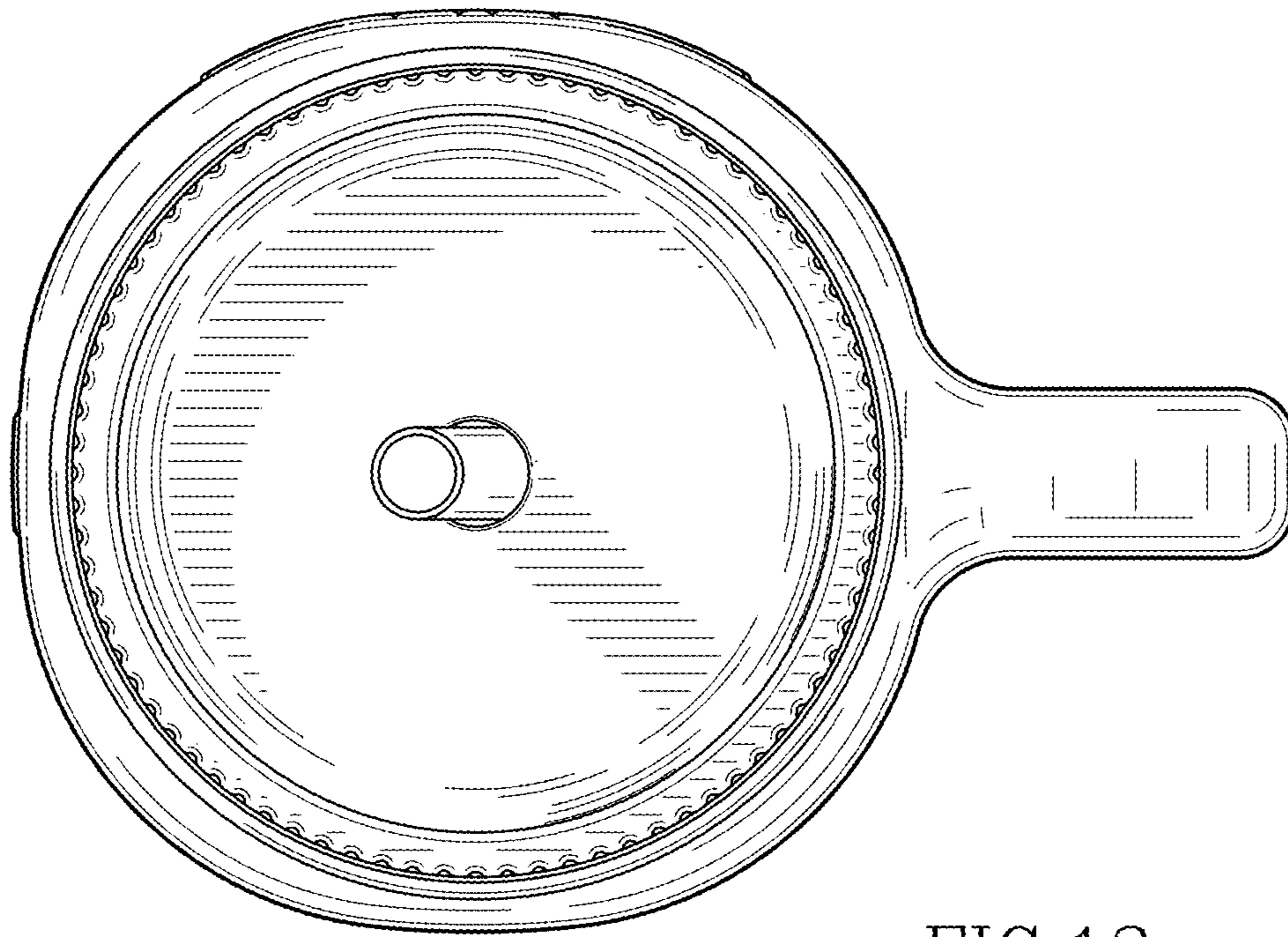


FIG.13

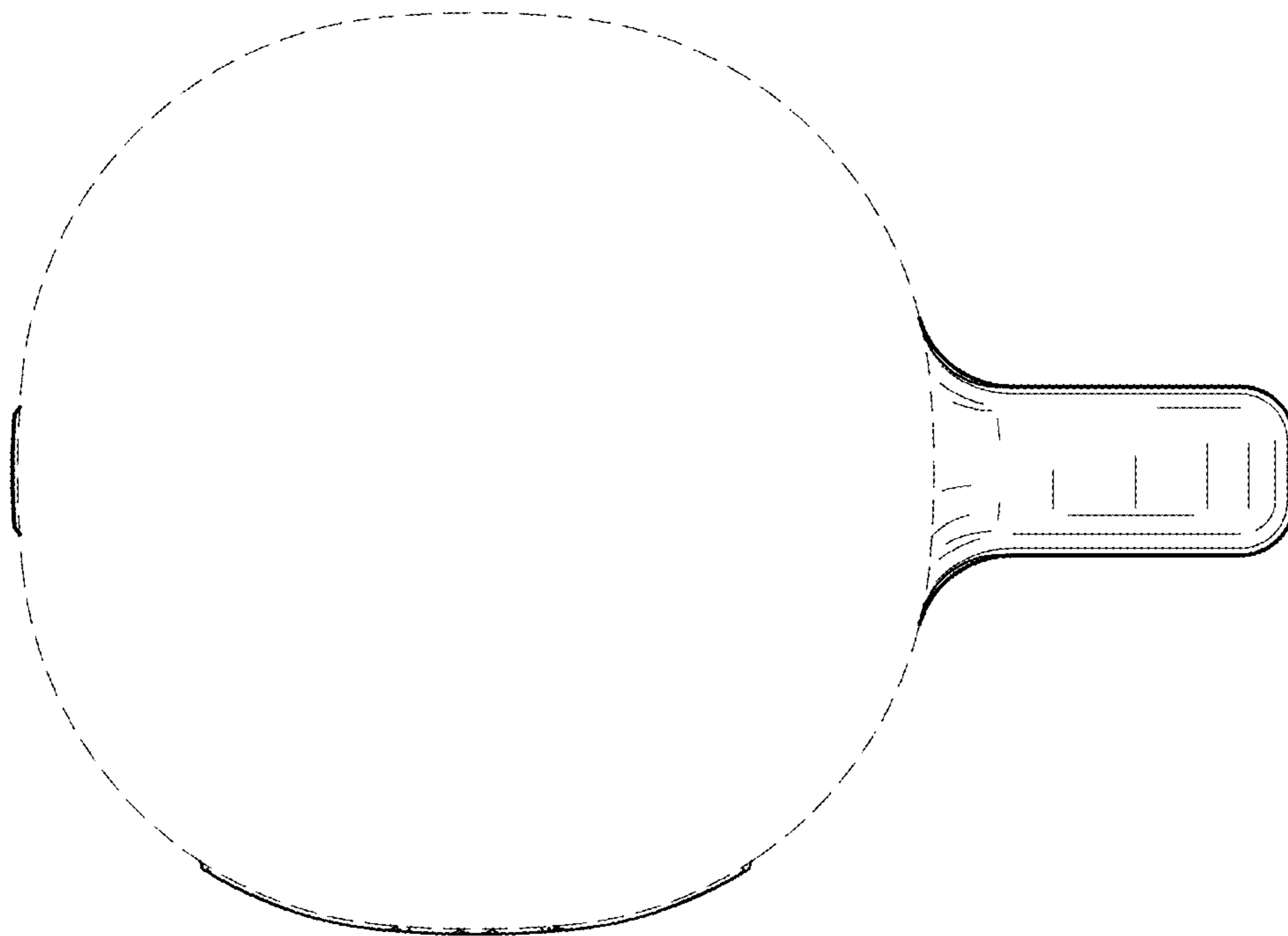


FIG.14