



US00D756709S

(12) **United States Design Patent**
Weitman

(10) **Patent No.:** **US D756,709 S**
(45) **Date of Patent:** **** May 24, 2016**

- (54) **TRANSLUCENT BAR CUP WITH MEASURING LINES**
- (71) Applicant: **Colby Meade Weitman**, Hoover, AL (US)
- (72) Inventor: **Colby Meade Weitman**, Hoover, AL (US)
- (**) Term: **14 Years**
- (21) Appl. No.: **29/500,659**
- (22) Filed: **Aug. 27, 2014**
- (51) **LOC (10) Cl.** **07-01**
- (52) **U.S. Cl.**
USPC **D7/532; D7/509**
- (58) **Field of Classification Search**
USPC D7/507, 509, 510, 513, 523, 532-537, D7/524-528, 213, 396.4, 387, 389, 393, D7/395, 668; D9/533, 740, 439, 741, 742, D9/743, 747, 440, 436, 417; 220/592.16, 220/592.17, 592.2, 592.26, 592.27, 703, 220/4.26, 4.27; 215/387, 388, 400, 382; D24/196, 197; 206/217, 519; 99/459
CPC A47G 19/22; A47G 19/2205; A47G 19/2266; A47G 19/2272; A47G 19/23; A61J 7/0046; B29L 2031/7132; B65D 1/265; B65D 21/02
See application file for complete search history.

- (56) **References Cited**
U.S. PATENT DOCUMENTS
2,540,565 A * 2/1951 Barbieri B65D 3/14 229/4.5
2,905,350 A * 9/1959 Edwards B65D 1/265 215/373
3,009,603 A * 11/1961 Stockdale A01G 9/021 206/519
3,091,360 A * 5/1963 Edwards B65D 1/265 206/520
3,157,335 A * 11/1964 Maier B65D 1/265 220/606
3,190,530 A * 6/1965 Edwards B29C 51/325 206/519

3,207,109 A * 9/1965 Folke Hammargren . B65D 7/04 29/521
D208,872 S * 10/1967 Davis D7/531

(Continued)

FOREIGN PATENT DOCUMENTS

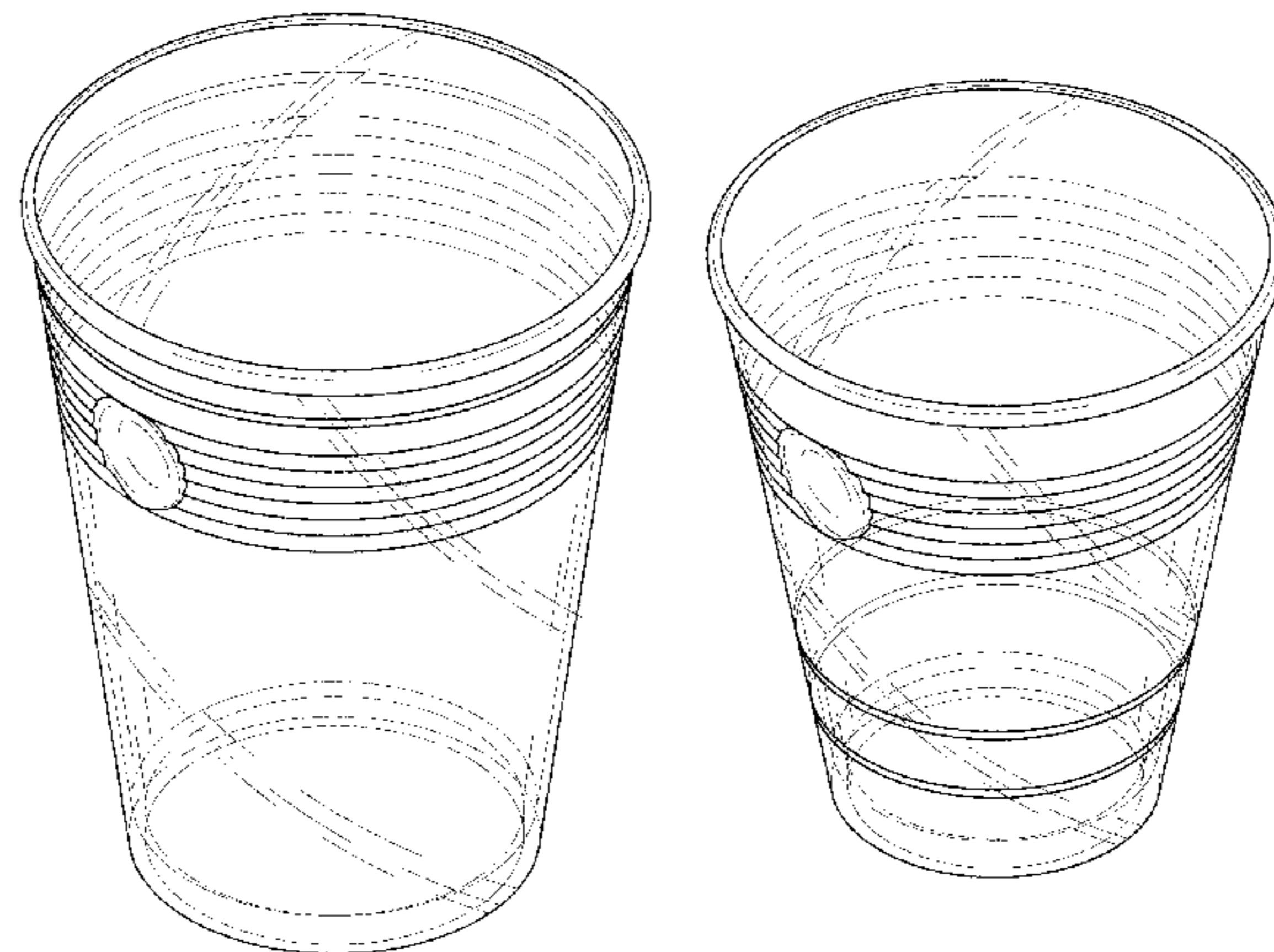
CN	2010/05562	1/2008
JP	2008/27054	2/2008
WO	WO2005/038361	4/2005

Primary Examiner — Marianne Pandozzi
Assistant Examiner — Jae Liang
(74) *Attorney, Agent, or Firm* — Pitts & Lake, P.C.

(57) **CLAIM**
I claim the ornamental design for a translucent bar cup with measuring lines, as shown and described.

DESCRIPTION
FIG. 1 is a perspective view of a first embodiment of a translucent bar cup with measuring lines showing my new design; FIG. 2 is a front elevational view thereof; FIG. 3 is a rear elevational view thereof; FIG. 4 is a left side elevational view thereof; the right side elevational view being a mirror image thereof; FIG. 5 is a top view thereof; FIG. 6 is a bottom view thereof; FIG. 7 is a perspective view of a second embodiment of a translucent bar cup with measuring lines; FIG. 8 is a front elevational view thereof; FIG. 9 is a rear elevational view thereof; FIG. 10 is a left side elevational view thereof; the right side elevational view being a mirror image thereof; FIG. 11 is a top view thereof; FIG. 12 is a bottom view thereof; FIG. 13 is a perspective view of a third embodiment of a translucent bar cup with measuring lines; FIG. 14 is a front elevational view thereof; FIG. 15 is a rear elevational view thereof; FIG. 16 is a left side elevational view thereof; the right side elevational view being a mirror image thereof; FIG. 17 is a top view thereof; and, FIG. 18 is a bottom view thereof.

1 Claim, 12 Drawing Sheets



(56)

References Cited

U.S. PATENT DOCUMENTS

3,372,830 A * 3/1968 Edwards B65D 1/265
206/519

3,850,361 A * 11/1974 Day B65D 1/265
206/232

D248,916 S * 8/1978 Reynolds 229/400

D271,650 S * 12/1983 Groenewold D7/523

D272,794 S * 2/1984 Dart D7/532

4,609,113 A * 9/1986 Seki B65D 1/265
215/382

D417,821 S * 12/1999 Cautereels D7/509

6,159,513 A 12/2000 Judlowe et al.

D490,655 S * 6/2004 Zettle D7/532

D495,186 S 8/2004 Poupel et al.

D534,038 S * 12/2006 Kramer D7/510

D563,168 S * 3/2008 Gibbons D7/510

D563,173 S * 3/2008 Karam D7/509

D568,106 S * 5/2008 Karam D7/509

D570,159 S * 6/2008 McGill D7/509

D577,547 S * 9/2008 Willat D7/509

D607,692 S * 1/2010 Skala D7/523

D612,201 S * 3/2010 Hillebrenner D7/387

D615,356 S * 5/2010 Hillebrenner D7/509

D621,659 S * 8/2010 Liu D7/510

D635,399 S * 4/2011 DeVecchio D7/509

8,061,197 B2 11/2011 Silvers

D650,634 S * 12/2011 Hodge D7/523

D663,589 S * 7/2012 Pascot D7/509

D672,610 S * 12/2012 Park D7/510

D680,377 S * 4/2013 Romley D7/523

8,479,974 B2 * 7/2013 Seo B65D 1/3874
220/592.17

D688,523 S * 8/2013 Lees D7/510

D696,906 S * 1/2014 Roth D7/510

D698,603 S * 2/2014 Huckestein D7/509

8,646,645 B1 2/2014 LeBlanc et al.

D703,009 S * 4/2014 Wampold D7/606

D704,592 S * 5/2014 Hung D11/152

D717,606 S * 11/2014 Kristinik D7/532

D727,106 S * 4/2015 Lai D7/509

D732,343 S * 6/2015 Romley D7/532

2011/0024320 A1 2/2011 Roman et al.

2011/0266247 A1 11/2011 Littrell

2015/0208839 A1 * 7/2015 Shalmoni A47G 19/23
206/514

* cited by examiner

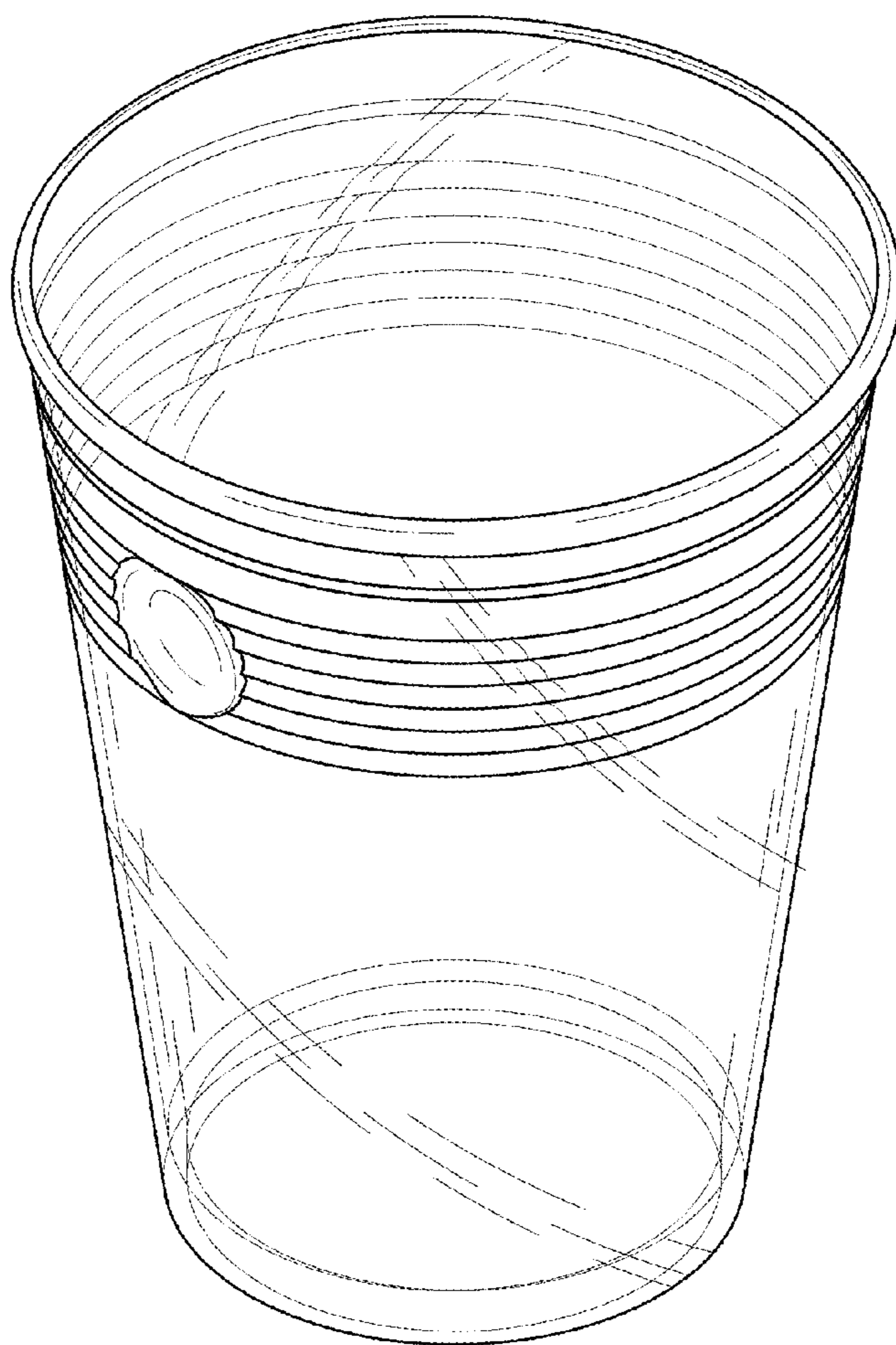


Fig. 1

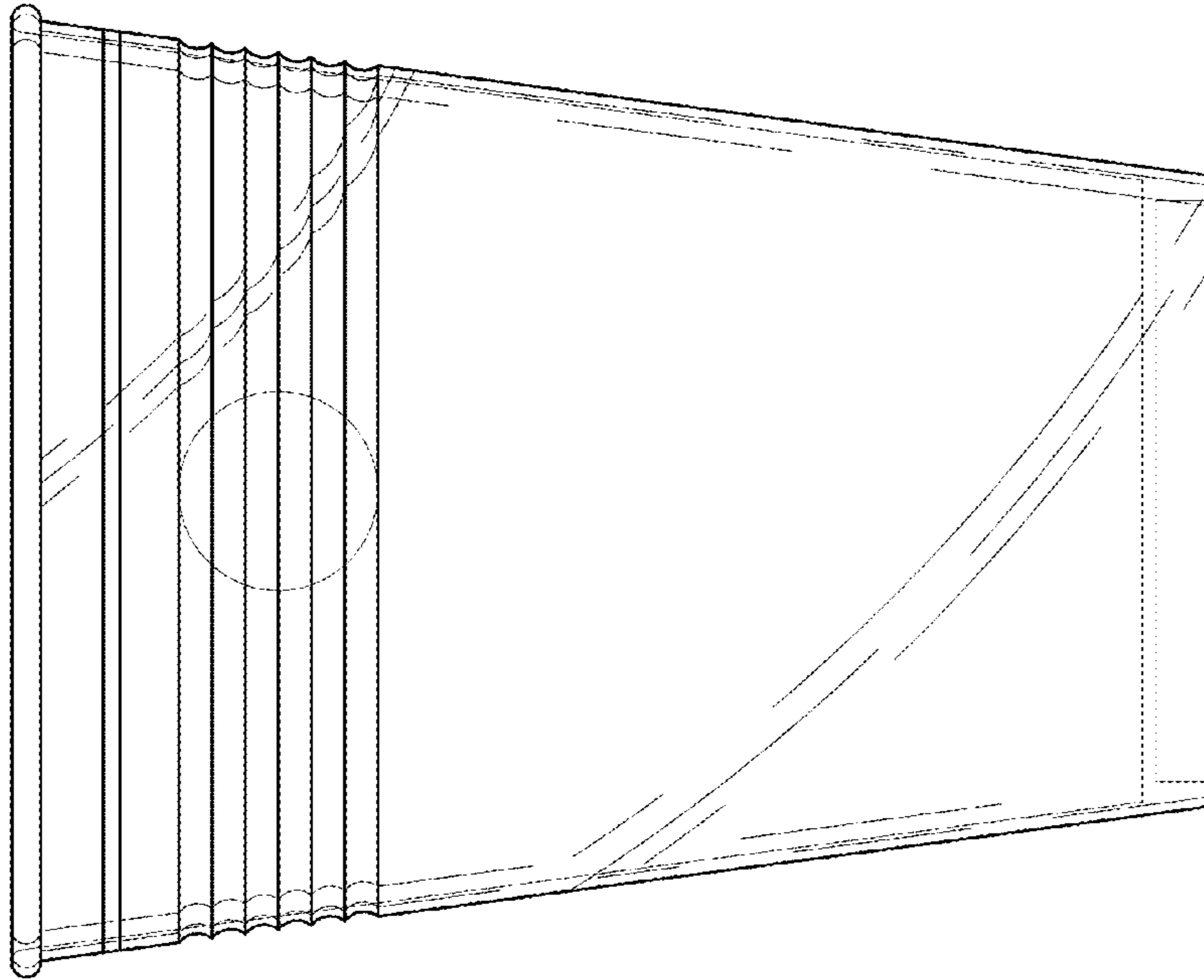


Fig. 3

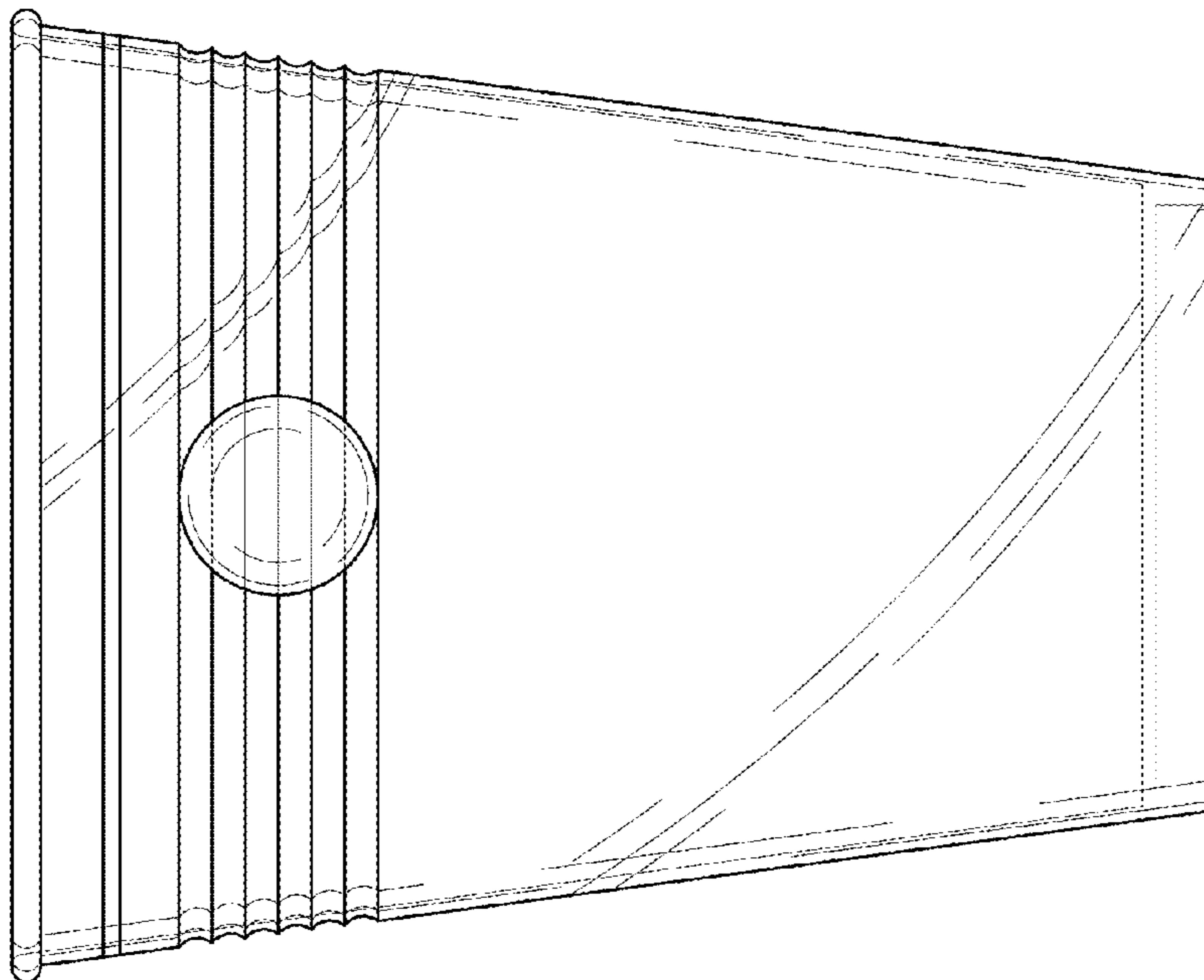


Fig. 2

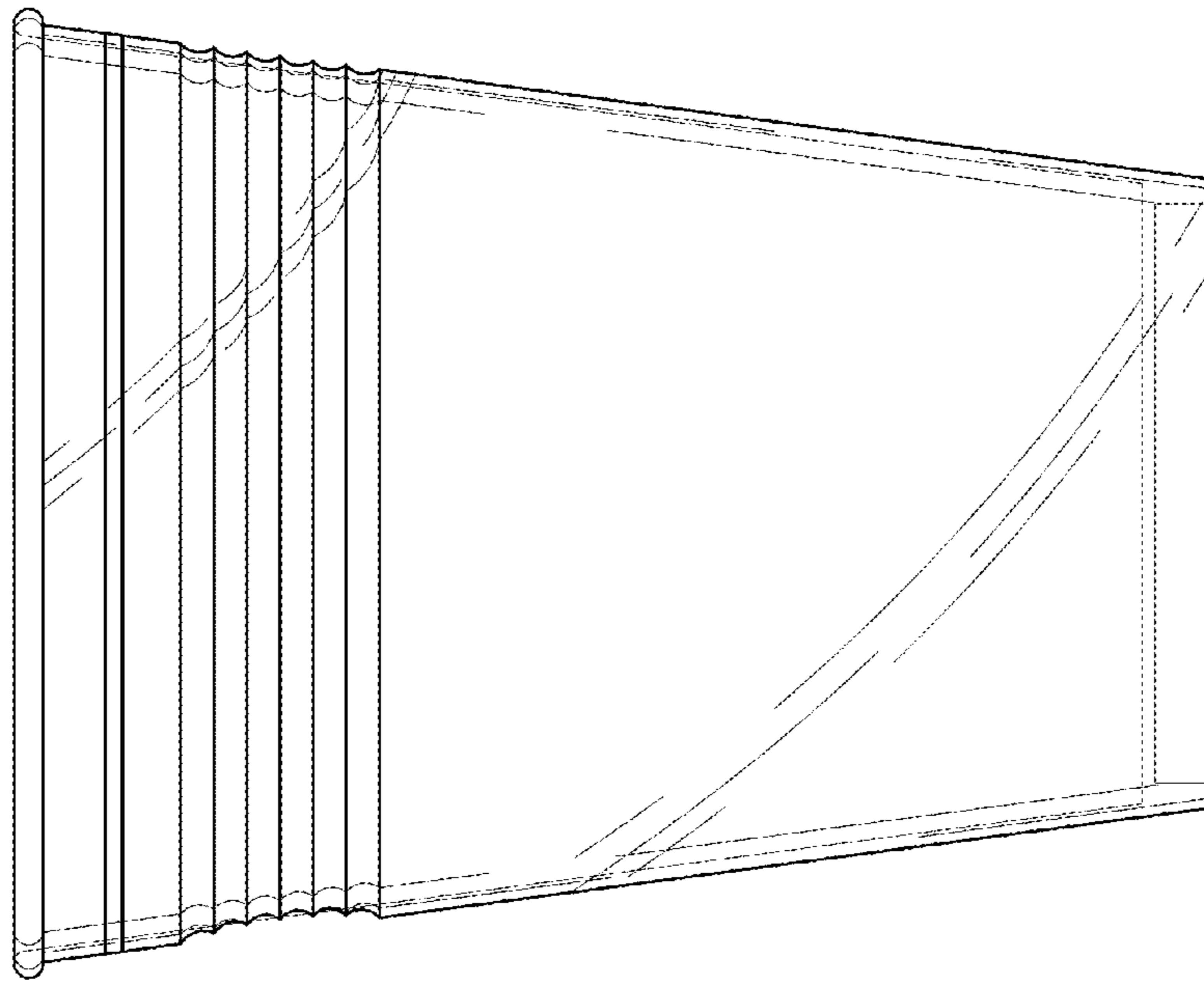


Fig. 4

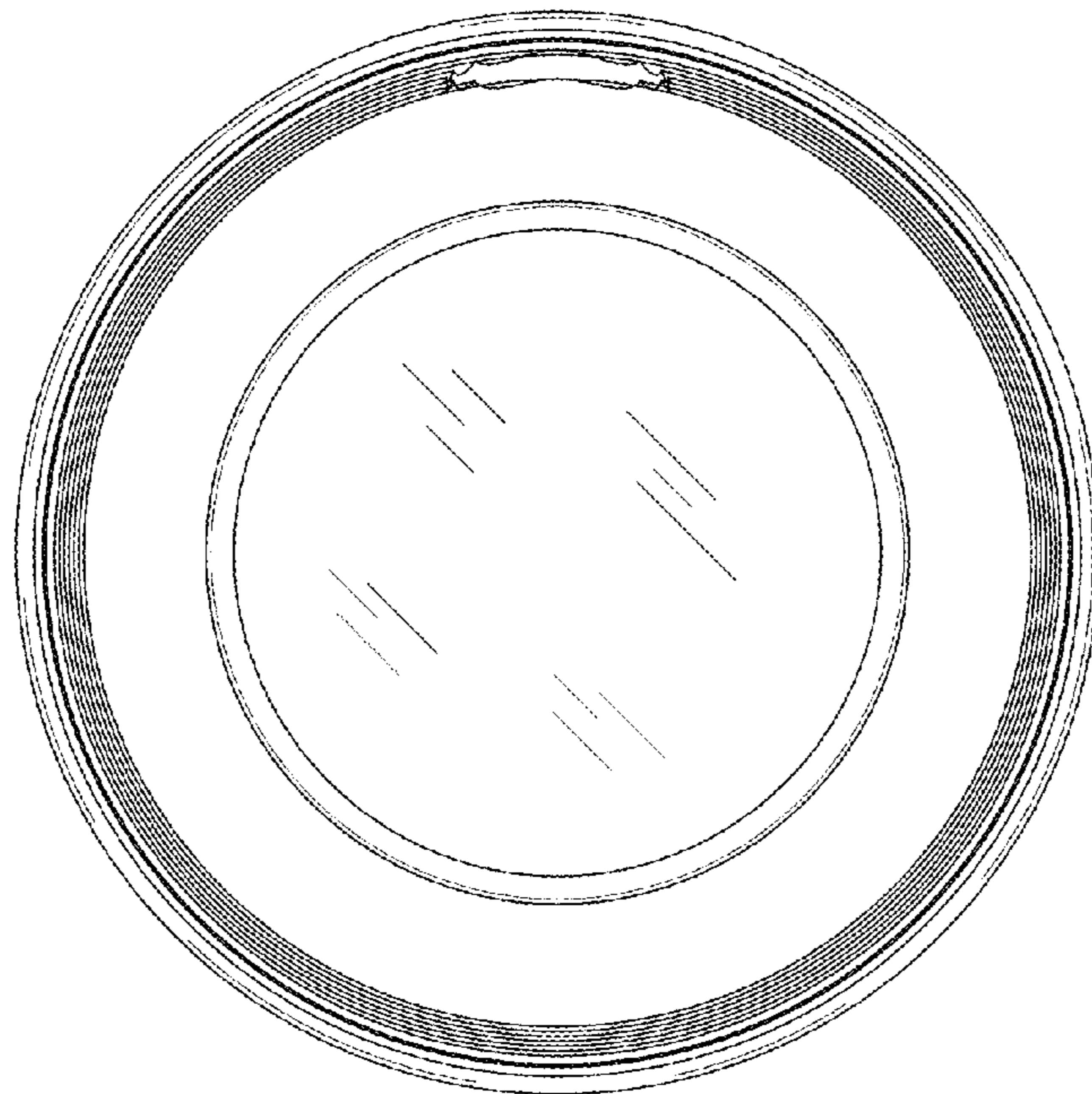


Fig. 6

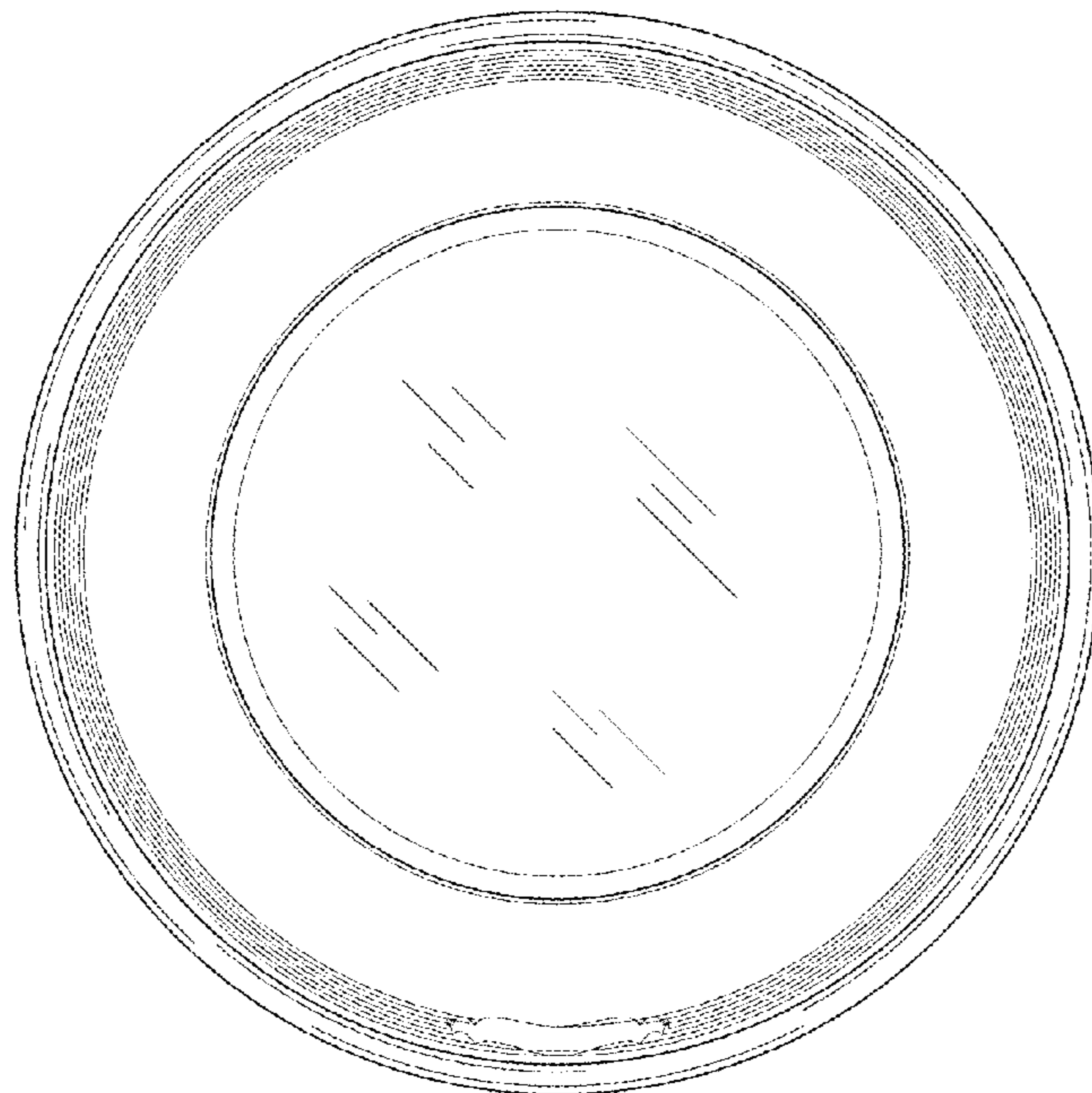


Fig. 5

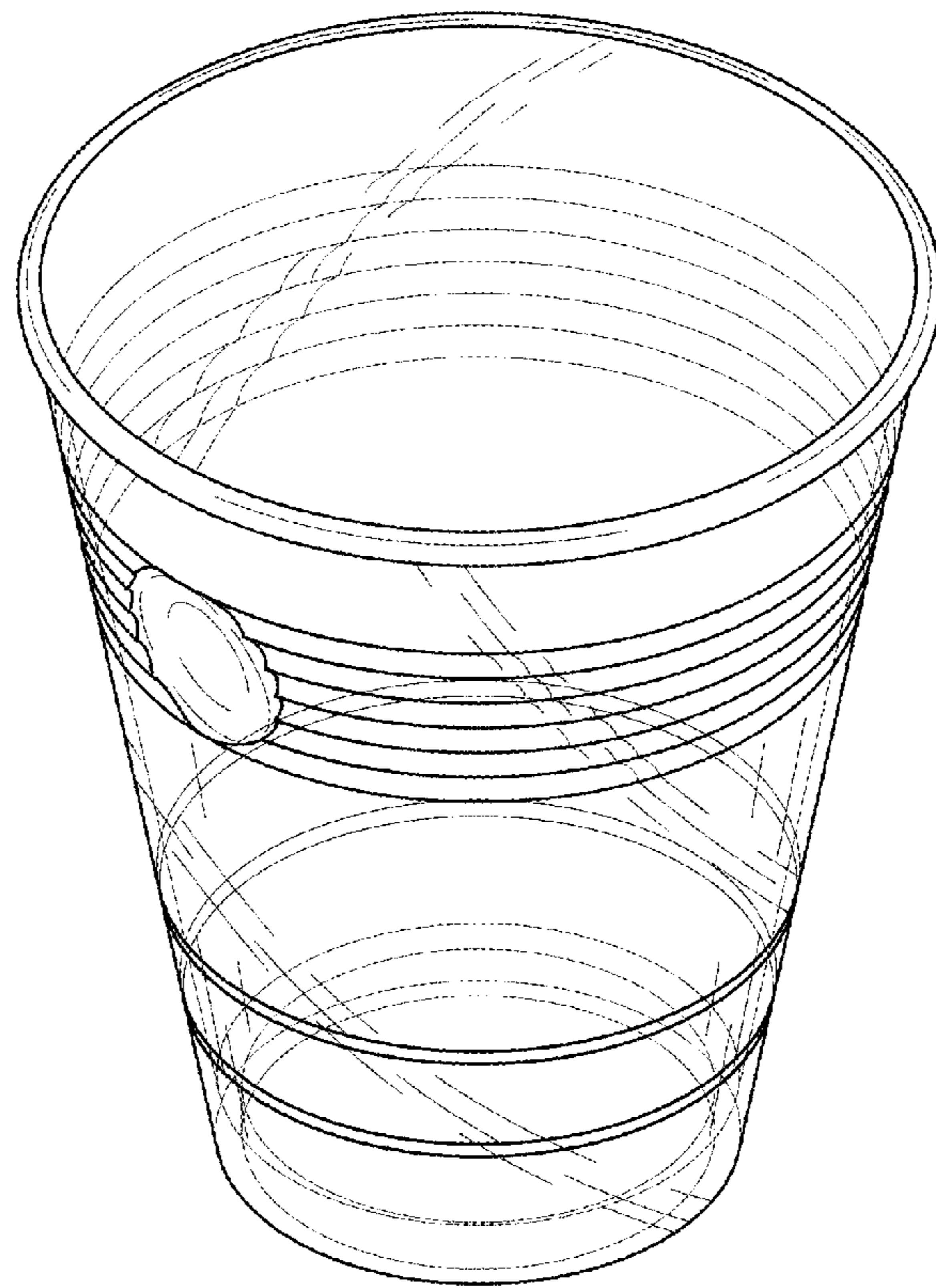


Fig.7

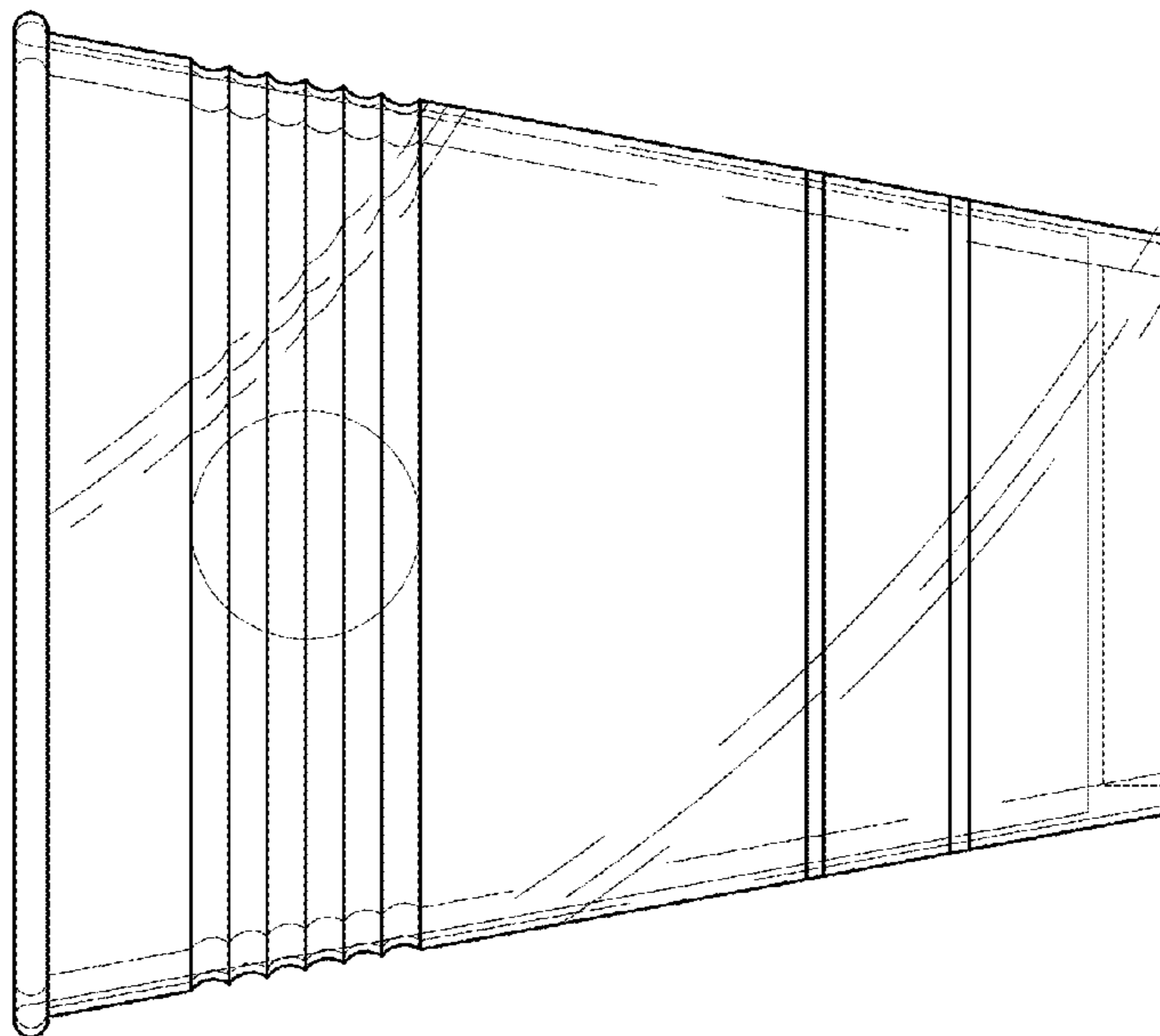


Fig. 9

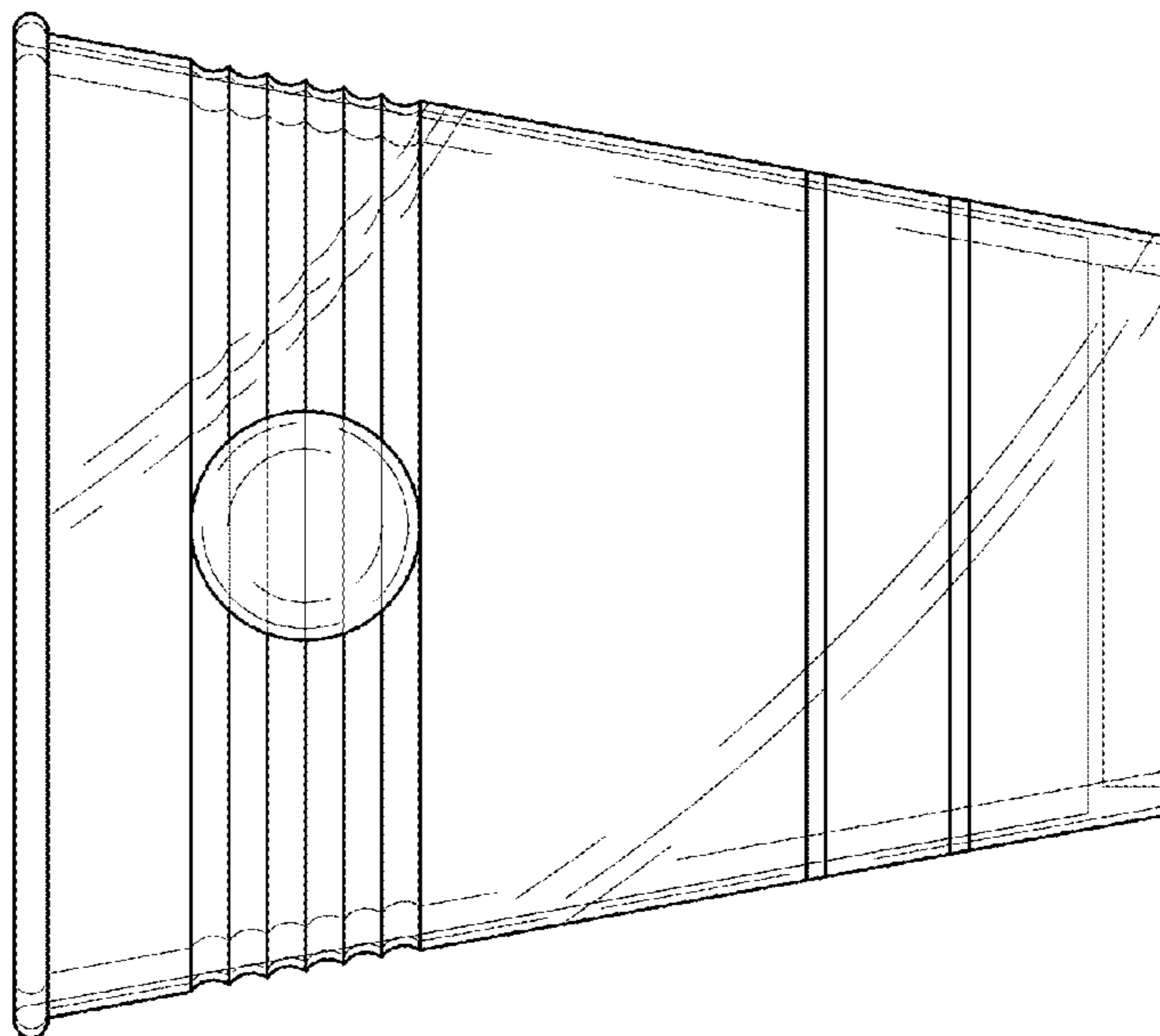


Fig. 8

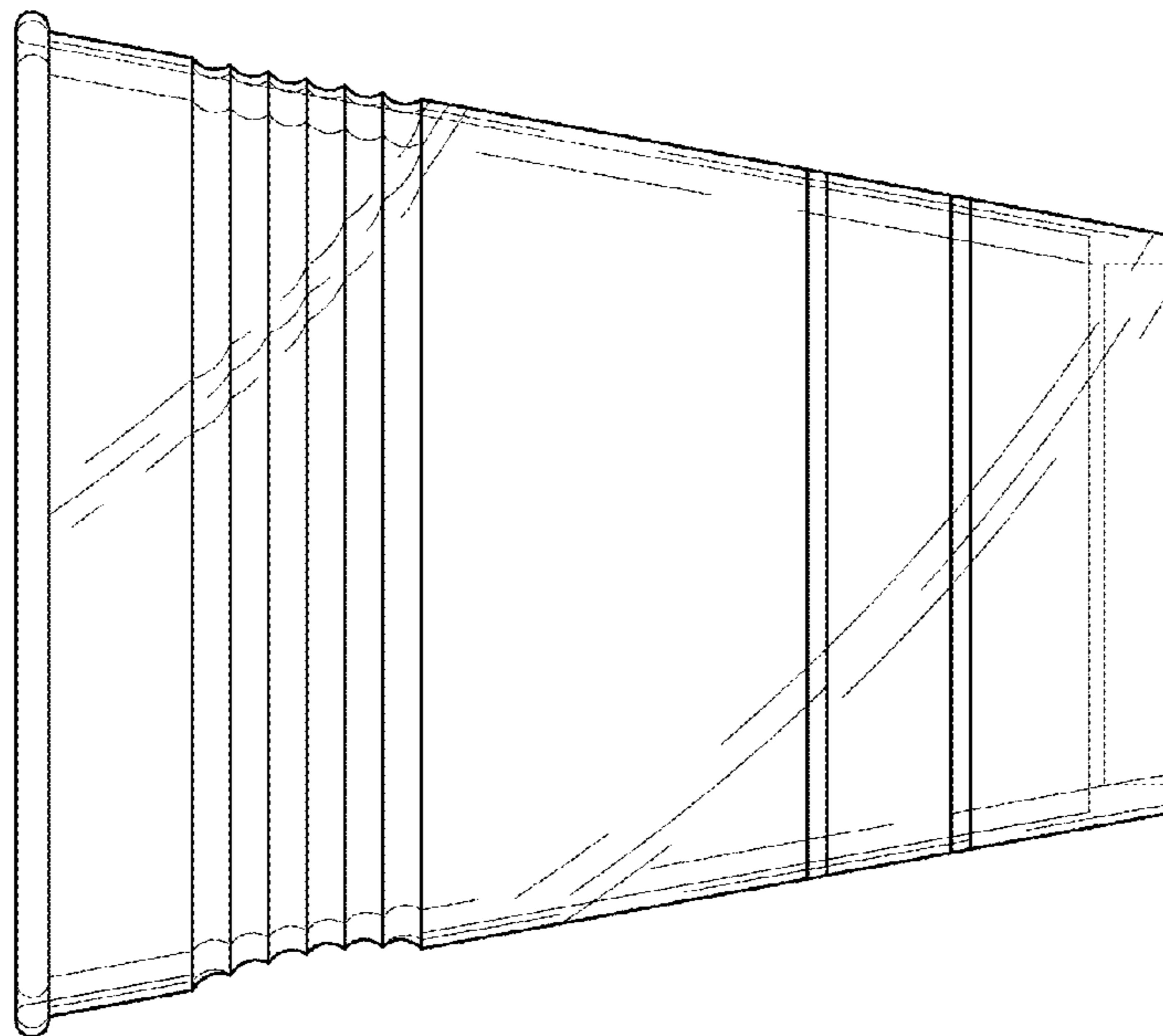


Fig. 10

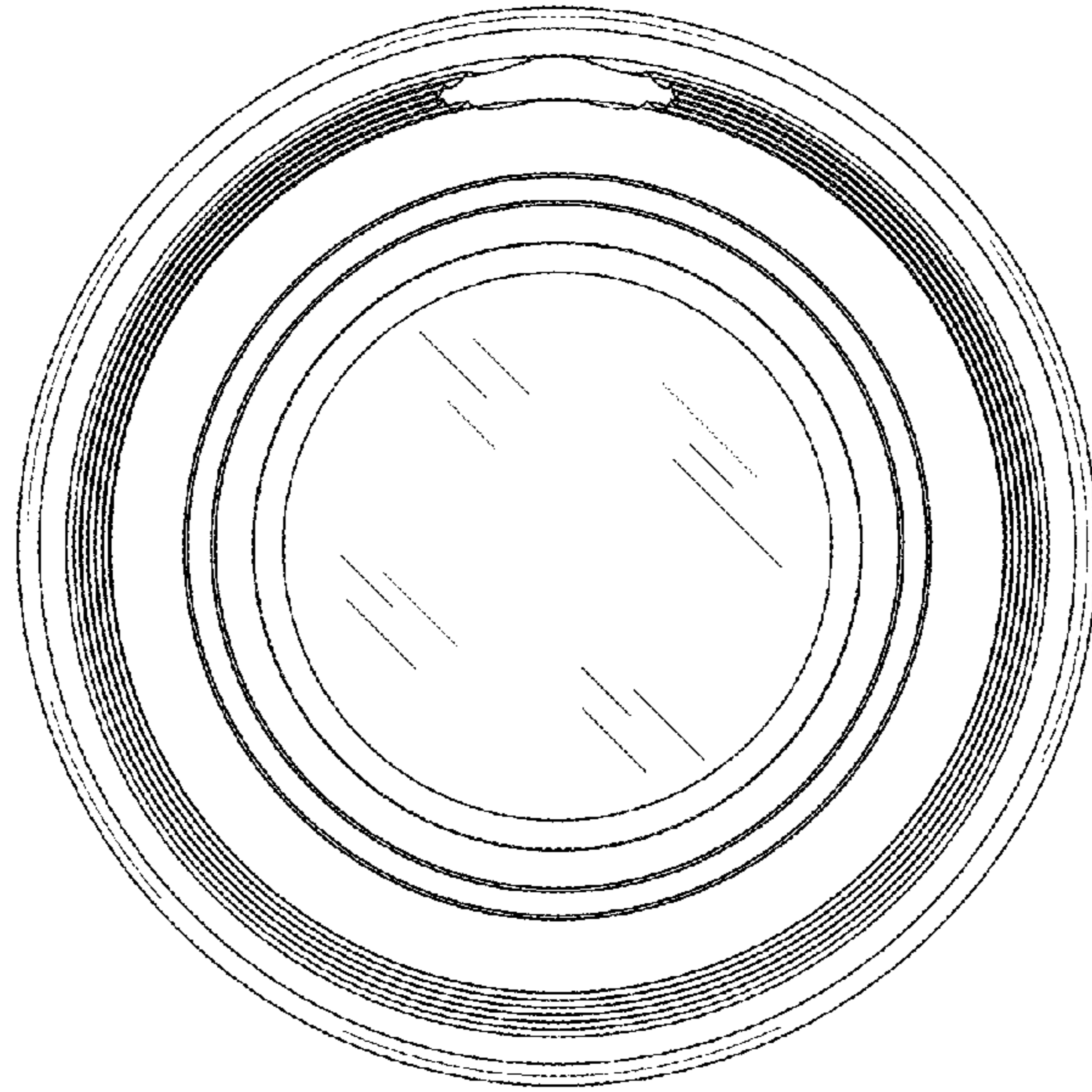


Fig. 12

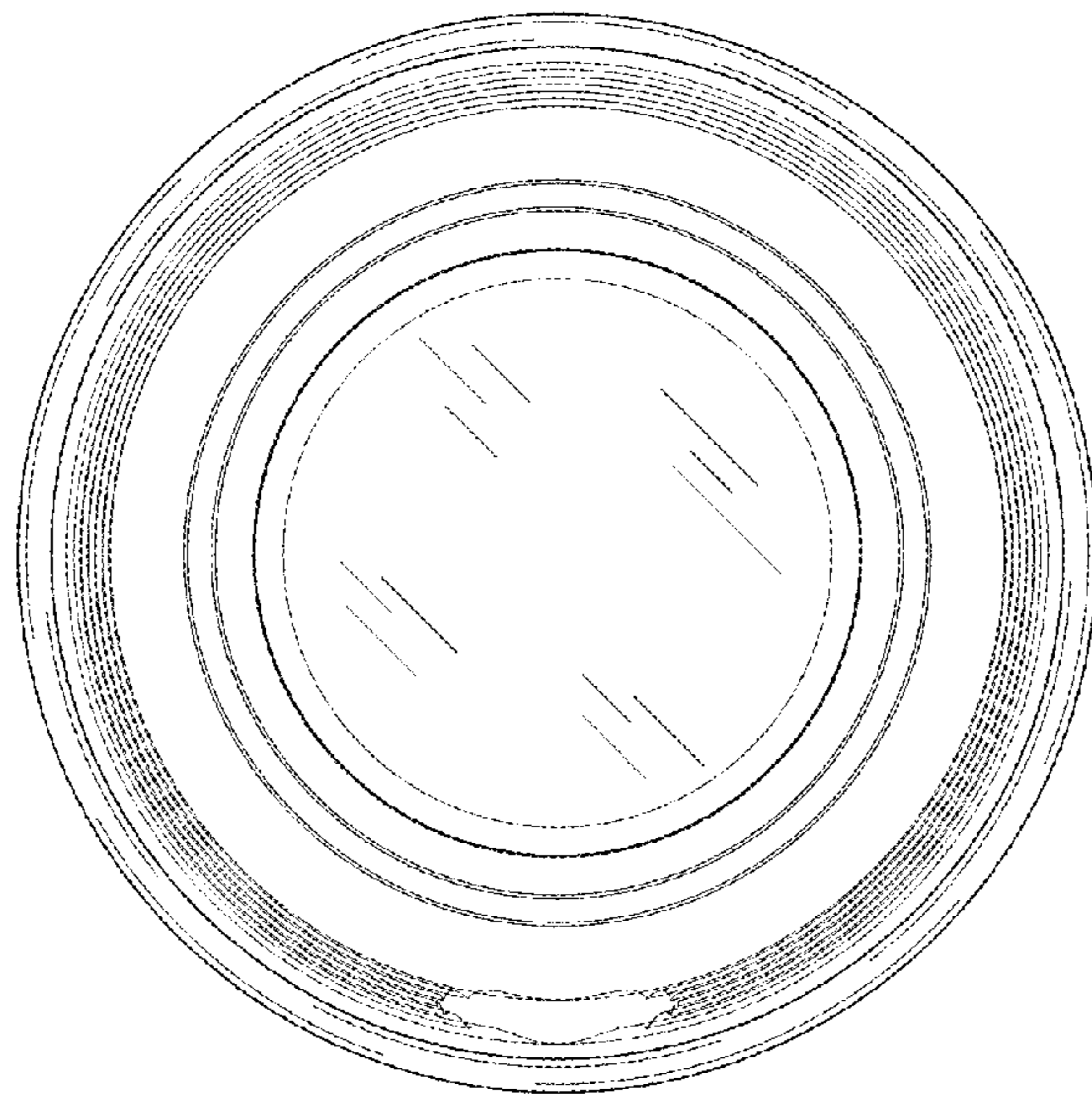


Fig. 11

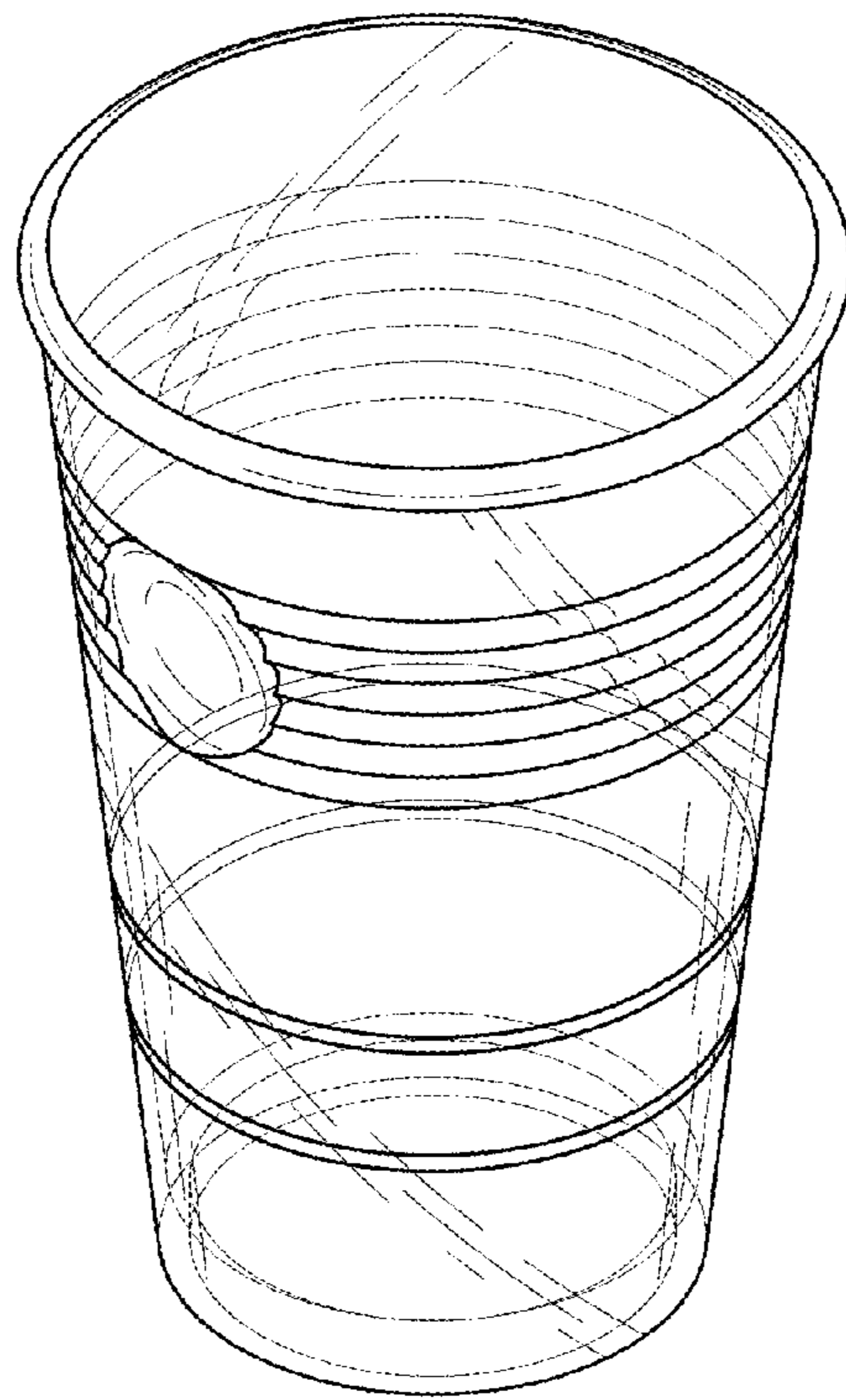


Fig. 13

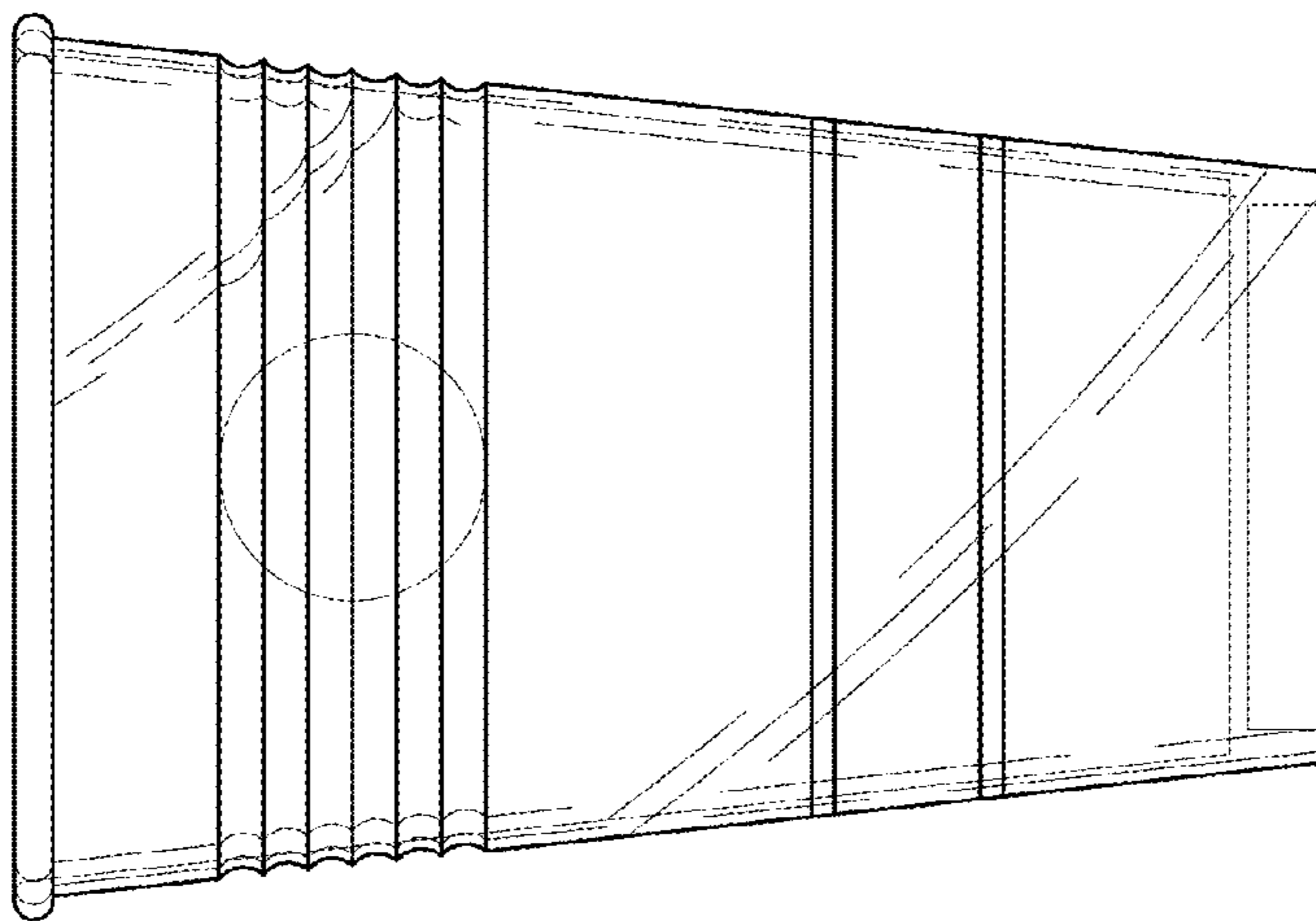


Fig. 15

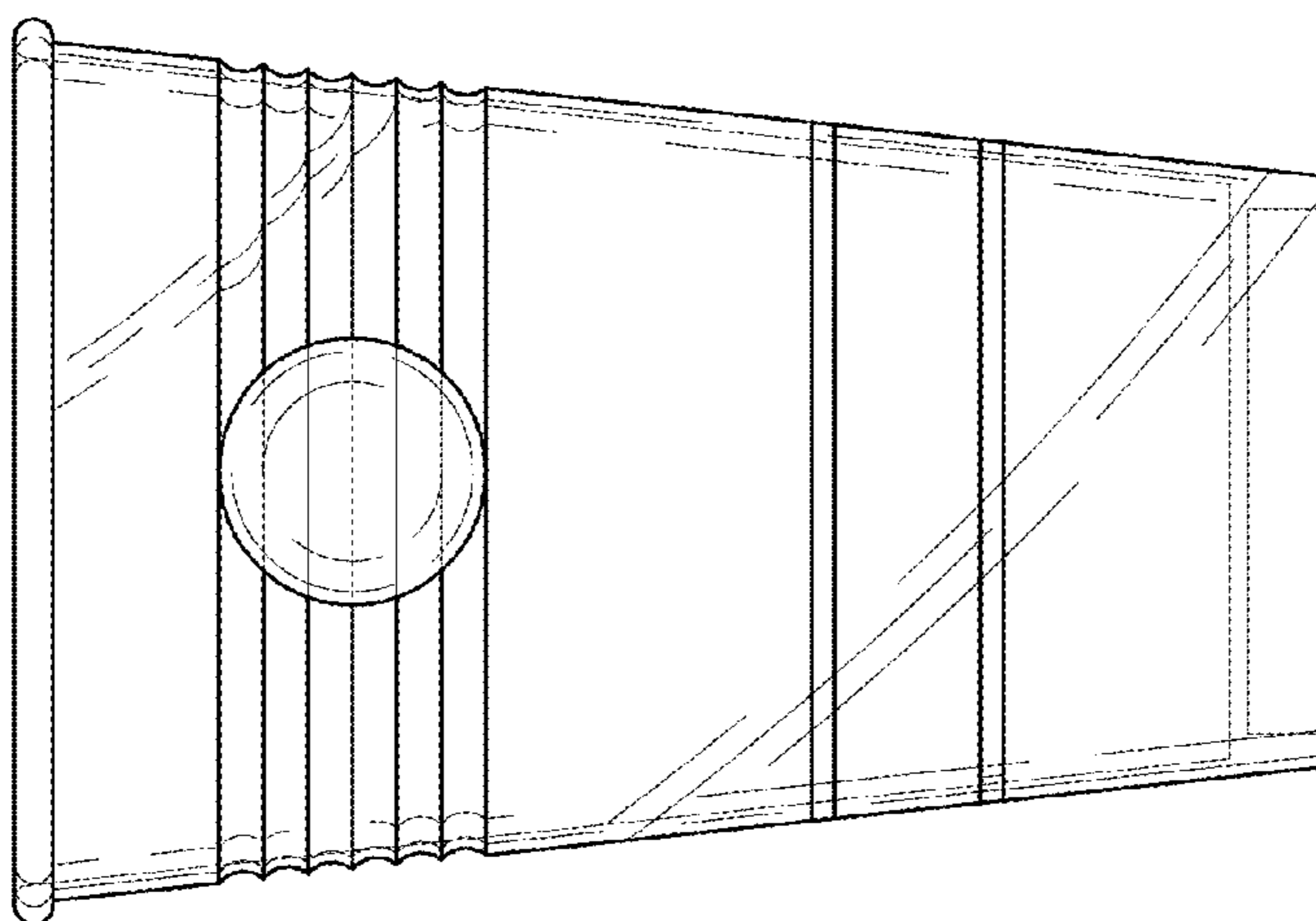


Fig. 14

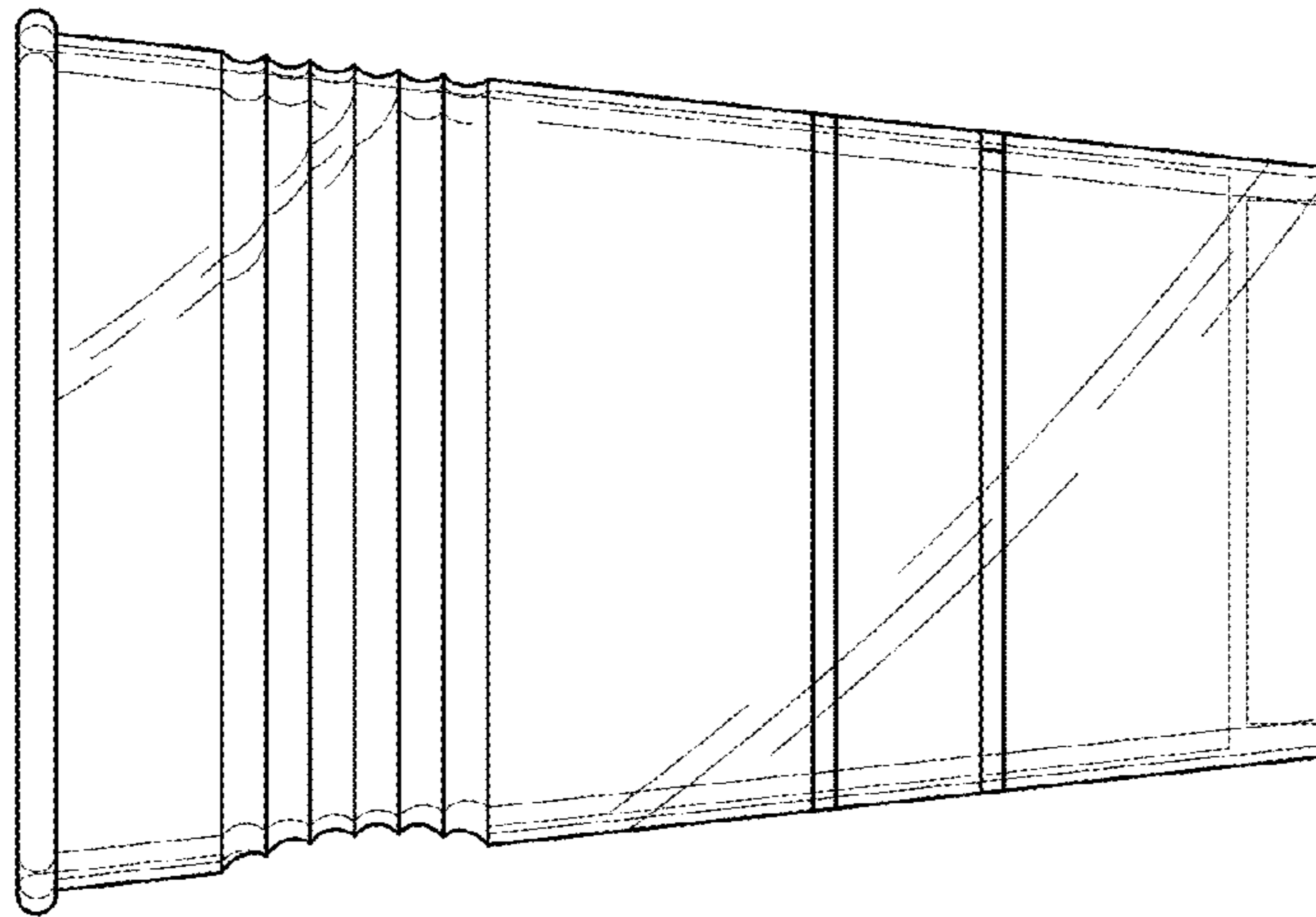


Fig. 16

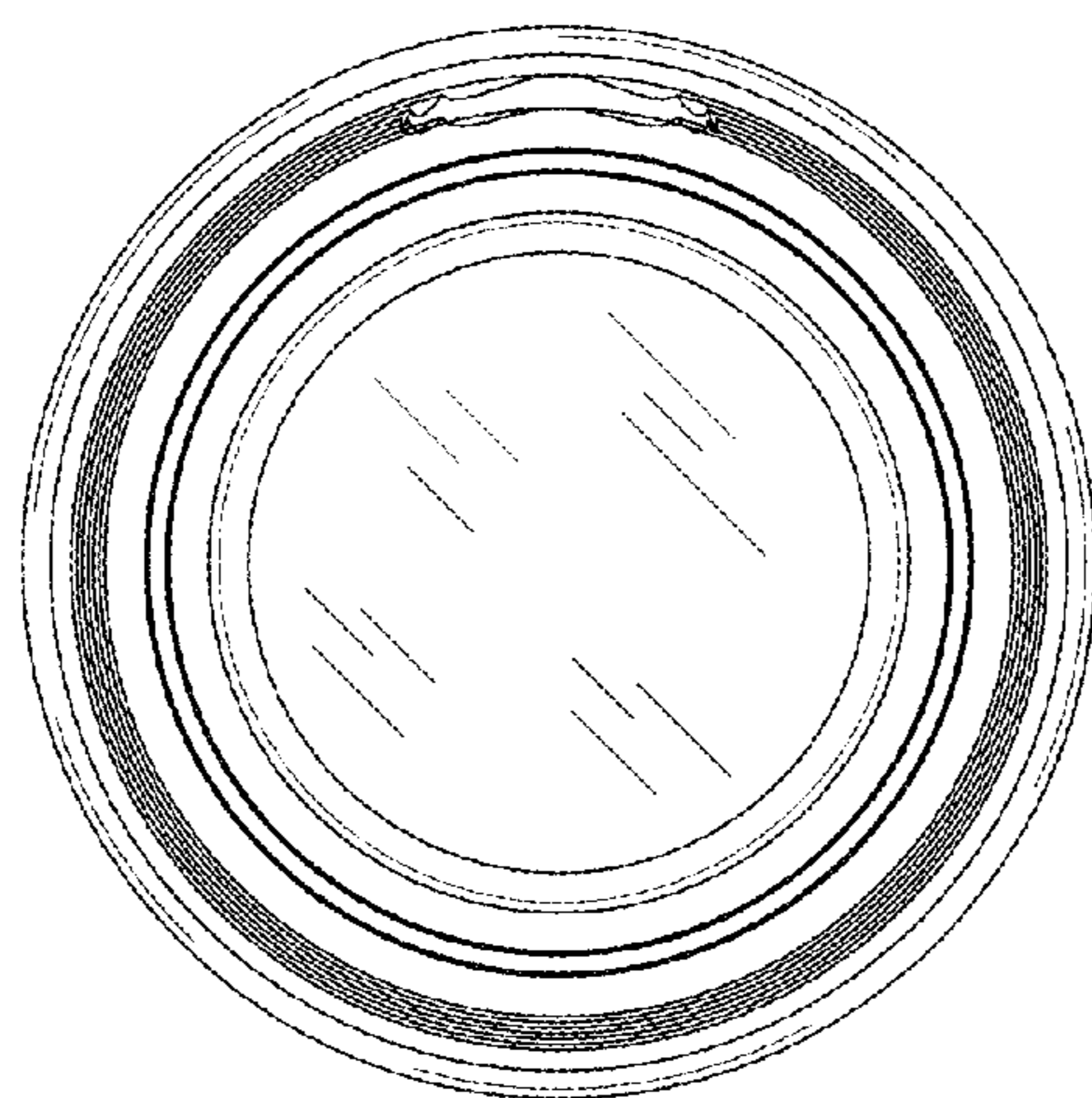


Fig. 18

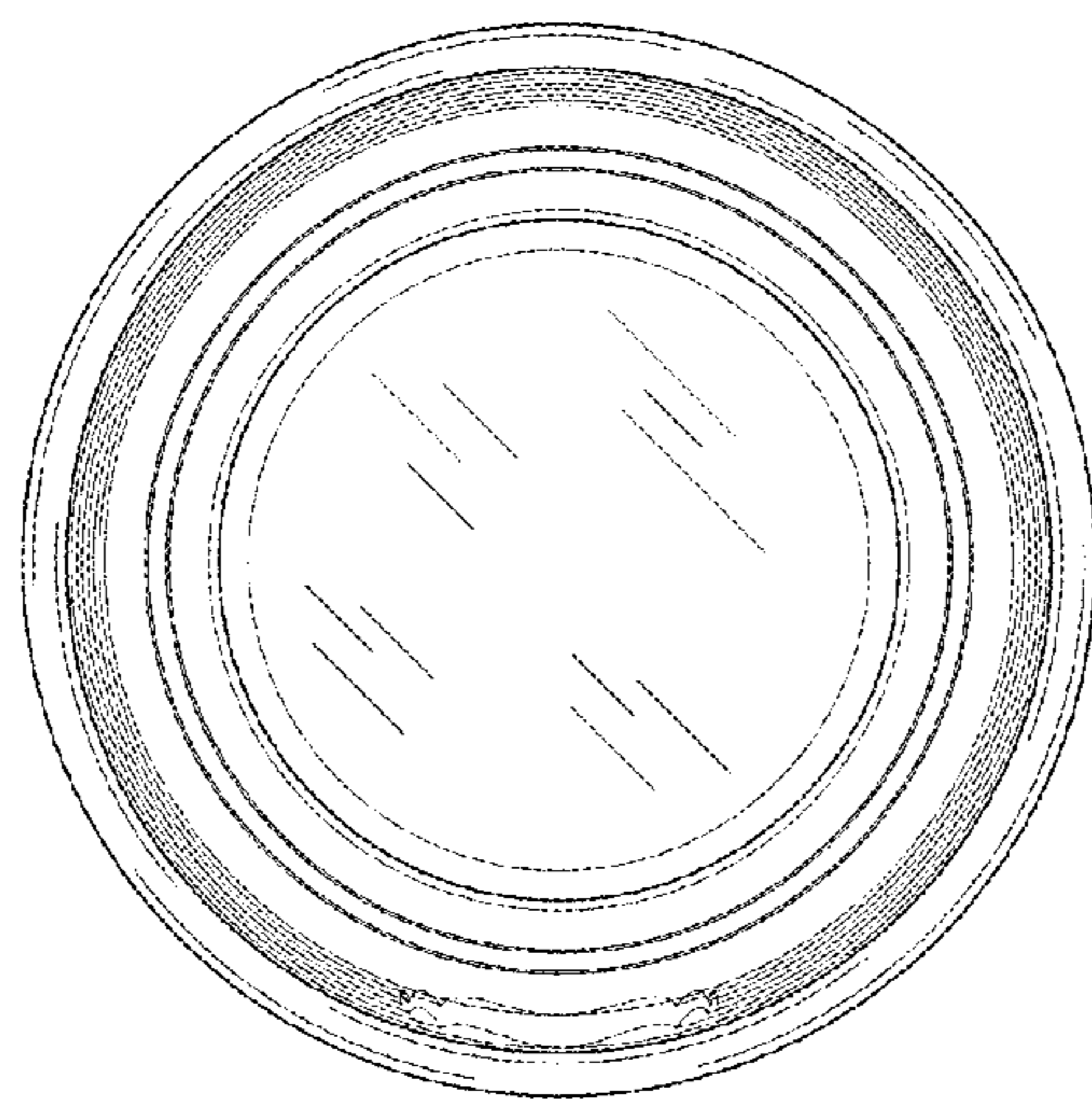


Fig. 17