



US00D756708S

(12) **United States Design Patent**  
**Paustian et al.**

(10) **Patent No.:** **US D756,708 S**  
(45) **Date of Patent:** **\*\* May 24, 2016**

(54) **BEER GLASS**

(71) Applicants: **Daniel J. Paustian**, Stilwell, KS (US);  
**Donald B. Jestel**, Stilwell, KS (US)

(72) Inventors: **Daniel J. Paustian**, Stilwell, KS (US);  
**Donald B. Jestel**, Stilwell, KS (US)

(\*\*) Term: **14 Years**

(21) Appl. No.: **29/506,811**

(22) Filed: **Oct. 21, 2014**

(51) **LOC (10) Cl.** ..... **07-01**

(52) **U.S. Cl.**  
USPC ..... **D7/524; D7/537**

(58) **Field of Classification Search**  
USPC ..... D7/507, 509, 510, 513, 523, 532-537,  
D7/524-528, 213, 396.4, 387, 389, 393,  
D7/395, 668; D9/533, 740, 439, 741, 742,  
D9/743, 747, 440, 436, 417; 220/592.16,  
220/592.17, 592.2, 592.26, 592.27, 703,  
220/4.26, 4.27; 215/387, 388, 400, 382;  
D24/196, 197; 206/217, 519; 99/459  
CPC ..... A47G 19/22; A47G 19/2205; A47G  
19/2266; A47G 19/2272; A47G 19/23;  
A61J 7/0046; B29L 2031/7132; B65D 1/265;  
B65D 21/02  
See application file for complete search history.

(56) **References Cited**

**U.S. PATENT DOCUMENTS**

D9,179 S \* 4/1876 Pears ..... D7/558  
392,145 A \* 10/1888 Buokland ..... A47G 19/2205  
215/374  
809,567 A \* 1/1906 Henokel ..... B65D 1/06  
215/377  
D90,928 S \* 10/1933 Rosenmerkle ..... D7/524  
D99,185 S \* 4/1936 Chapman ..... D27/173  
2,120,862 A \* 6/1938 Heller ..... A47G 19/2255  
215/377  
2,143,027 A \* 1/1939 Perry ..... A47G 19/2261  
215/374  
2,278,586 A \* 4/1942 Potter ..... A47G 19/2272  
220/719

D138,639 S \* 8/1944 Erbe ..... D7/524  
D161,115 S \* 12/1950 Meier ..... D7/524  
D168,409 S \* 12/1952 Kell ..... D7/524  
3,028,035 A \* 4/1962 Leong ..... A47G 19/2227  
215/377  
3,045,855 A \* 7/1962 Lipman ..... F21V 35/00  
215/377  
3,393,819 A \* 7/1968 Van De Walle .... A47G 19/2255  
156/275.5  
D226,443 S \* 3/1973 Achenbach ..... D7/523  
3,735,113 A \* 5/1973 Stott ..... A01K 63/06  
362/101  
4,244,147 A \* 1/1981 Geddes ..... A01G 27/04  
327/102  
D262,253 S \* 12/1981 Vennola ..... D7/507  
D290,208 S \* 6/1987 Hlava ..... D7/523  
4,681,236 A \* 7/1987 Ilk ..... A47G 19/2205  
215/374  
D358,080 S \* 5/1995 Handler ..... D7/507  
6,189,715 B1 \* 2/2001 Dubois ..... A47G 19/2205  
215/374  
D454,758 S \* 3/2002 Lack ..... D7/524  
D476,526 S \* 7/2003 Kerman ..... D7/396.6  
D536,426 S \* 2/2007 del Rey ..... D23/280.1  
D563,724 S \* 3/2008 Bodum ..... D7/509  
D659,477 S \* 5/2012 Sapire ..... D7/527

(Continued)

*Primary Examiner* — Marianne Pandozzi

*Assistant Examiner* — Jae Liang

(74) *Attorney, Agent, or Firm* — Dale J. Ream

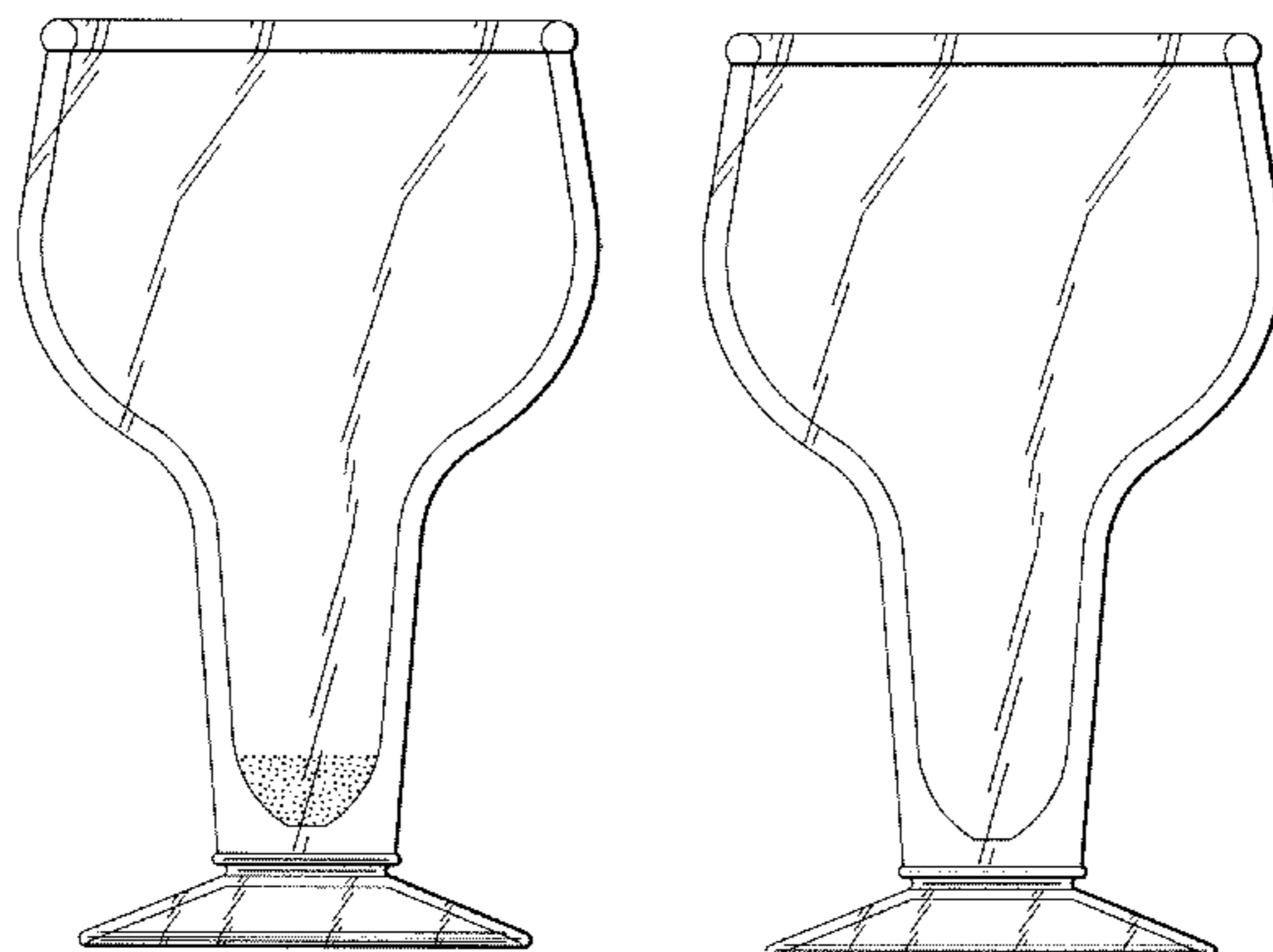
(57) **CLAIM**

The ornamental design for a beer glass, as shown and described.

**DESCRIPTION**

FIG. 1 is a perspective view of a first embodiment of a beer glass showing our new design;  
FIG. 2 is a front view thereof the rear view, left side view, and right side view being a mirror image thereof;  
FIG. 3 is a top view thereof;  
FIG. 4 is a bottom view thereof;  
FIG. 5 is a perspective view of a second embodiment of a beer glass showing our new design;  
FIG. 6 is a front view thereof; the rear view, left side view and right side view being a mirror image thereof;  
FIG. 7 is a top view thereof; and,  
FIG. 8 is a bottom view thereof.

**1 Claim, 6 Drawing Sheets**



# US D756,708 S

Page 2

---

(56)

## References Cited

### U.S. PATENT DOCUMENTS

D682,621 S \* 5/2013 Penttinen ..... D7/524  
D696,586 S \* 12/2013 Huang ..... D7/511  
D701,731 S \* 4/2014 McClellan ..... D7/524  
D724,899 S \* 3/2015 Feller ..... D7/509

D735,532 S \* 8/2015 Zollweg ..... D7/523  
2012/0233968 A1 \* 9/2012 Bernstein ..... A47G 19/2205  
53/452  
2014/0097105 A1 \* 4/2014 Mansoorian ..... A47G 19/2205  
206/217

\* cited by examiner

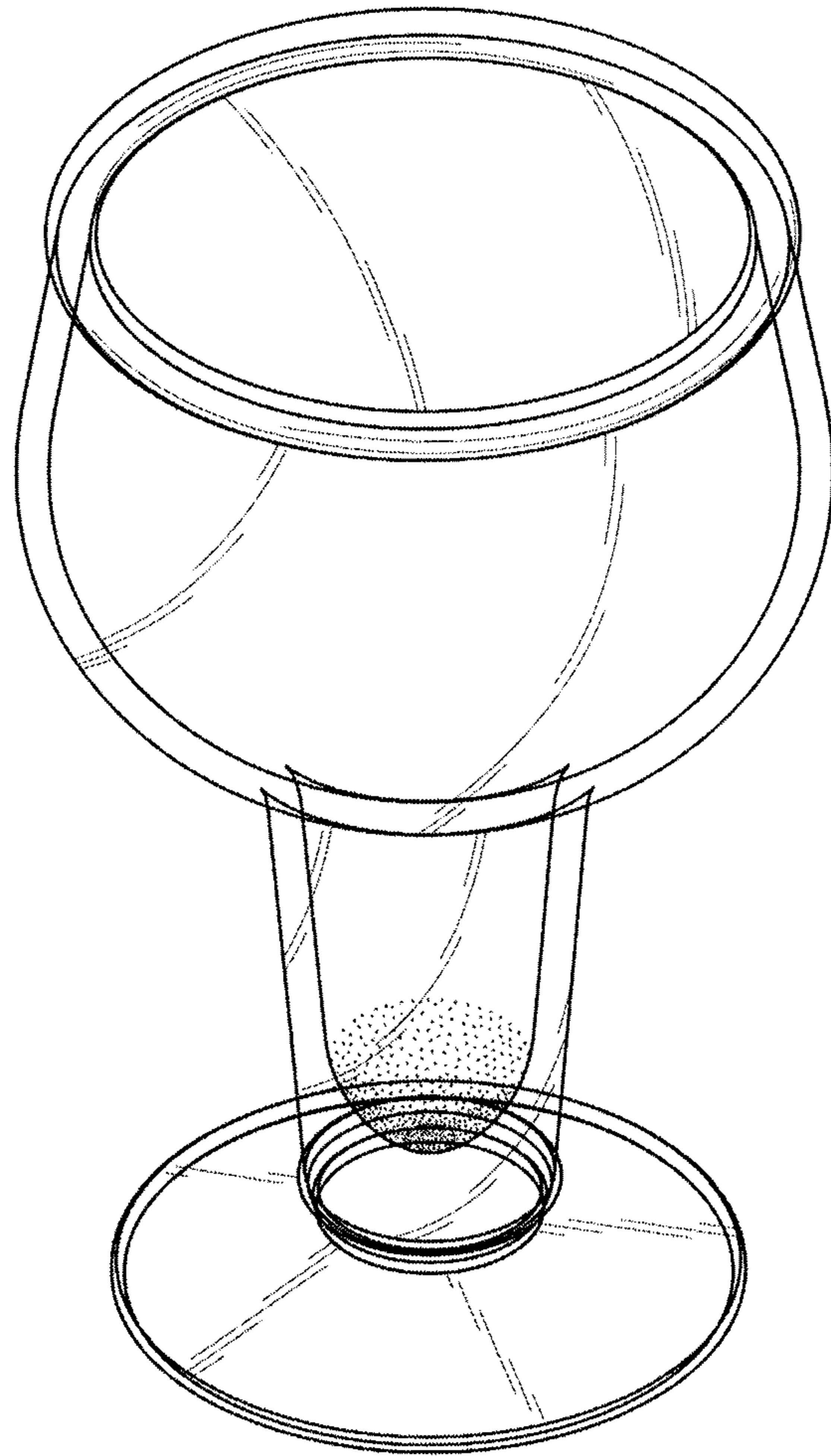


FIG. 1

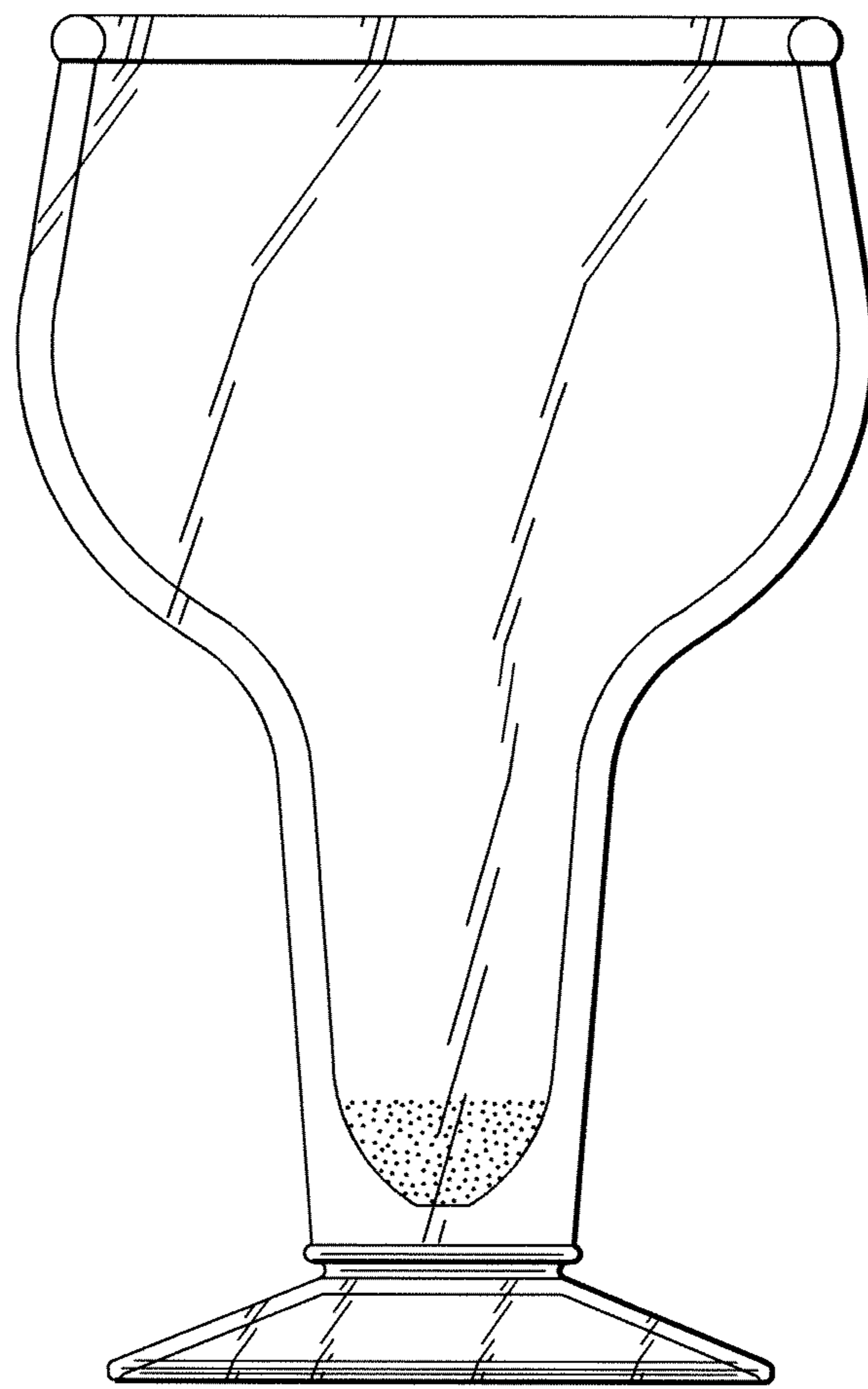


FIG. 2

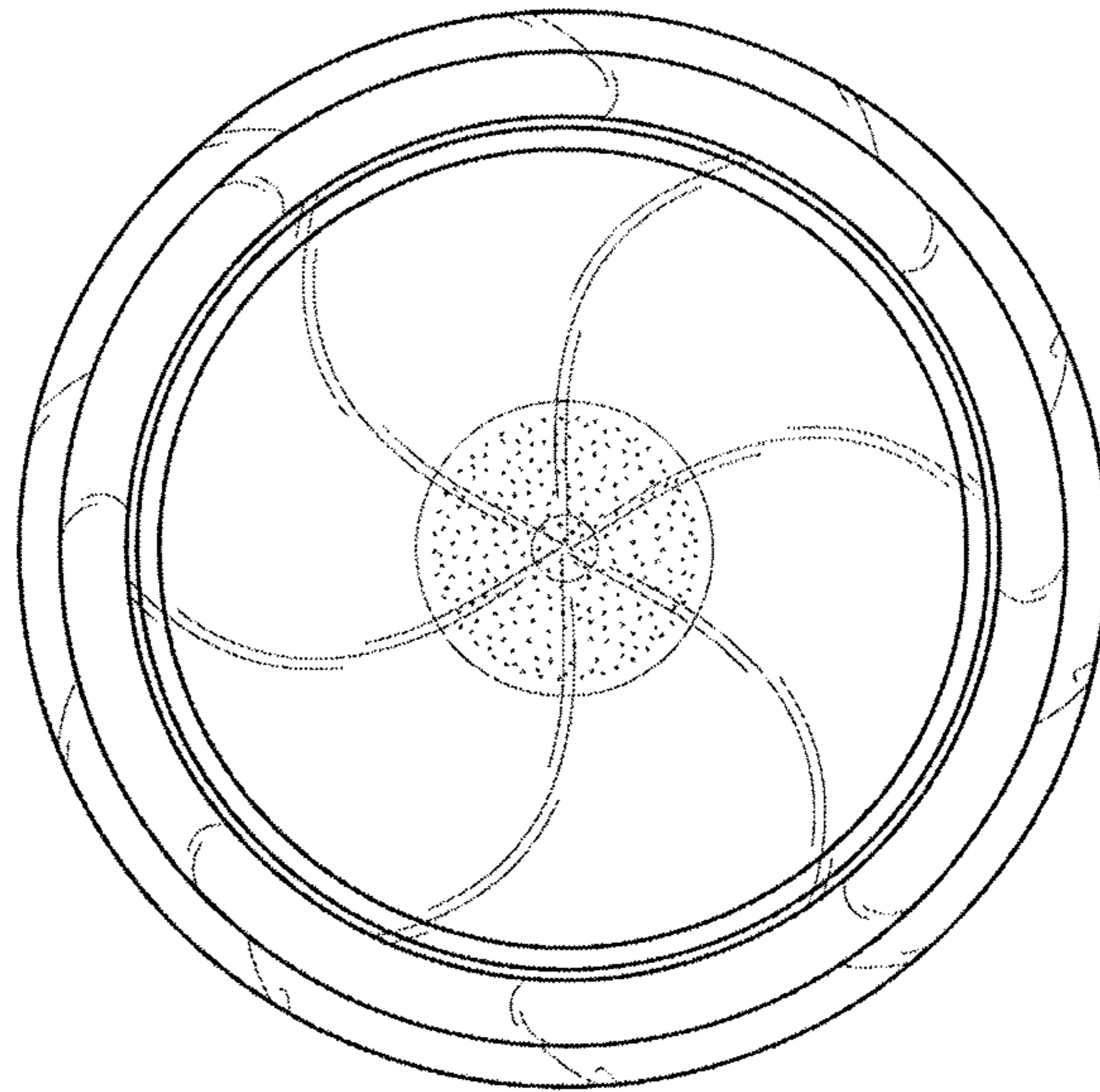


FIG. 3

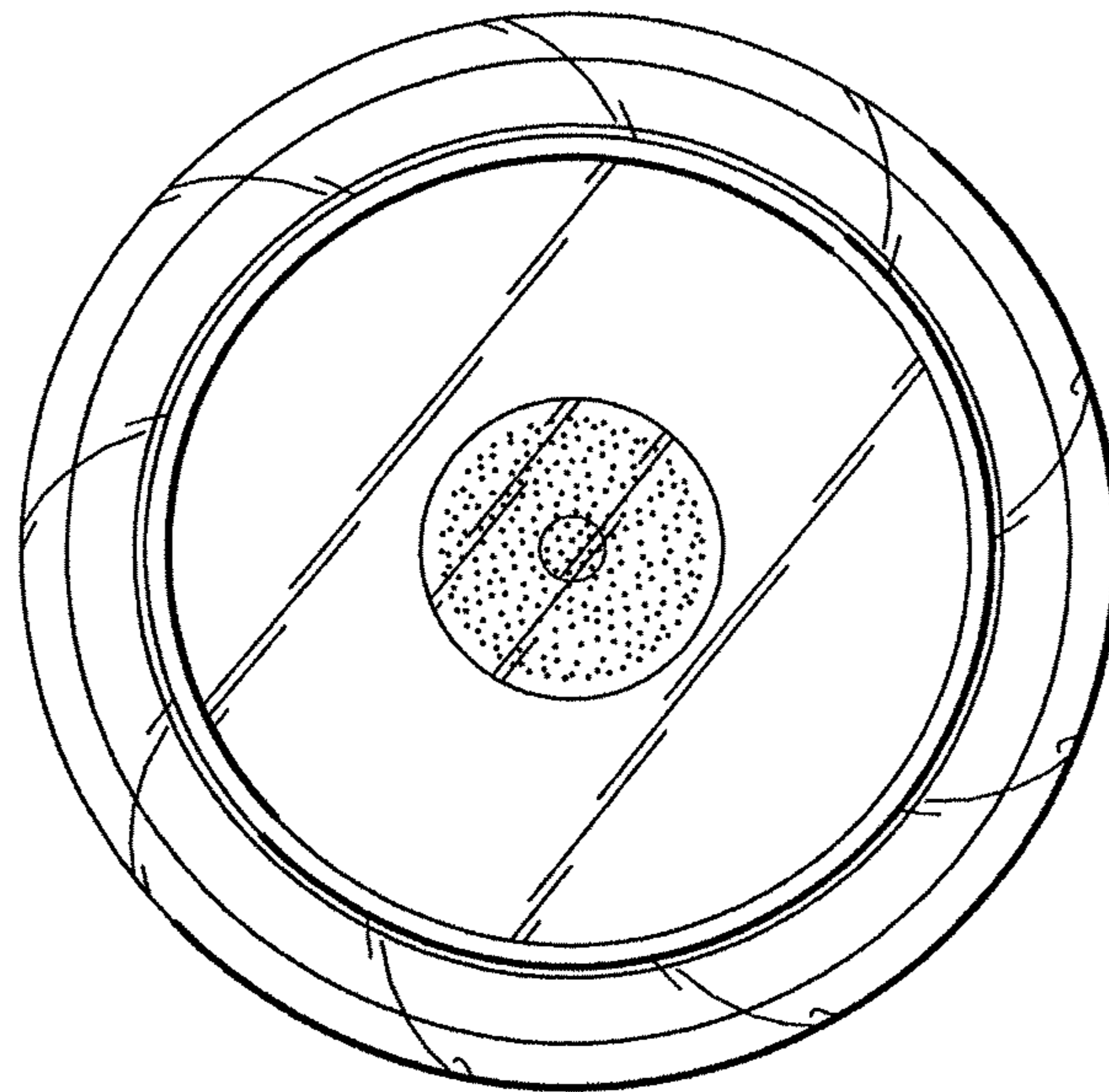


FIG. 4

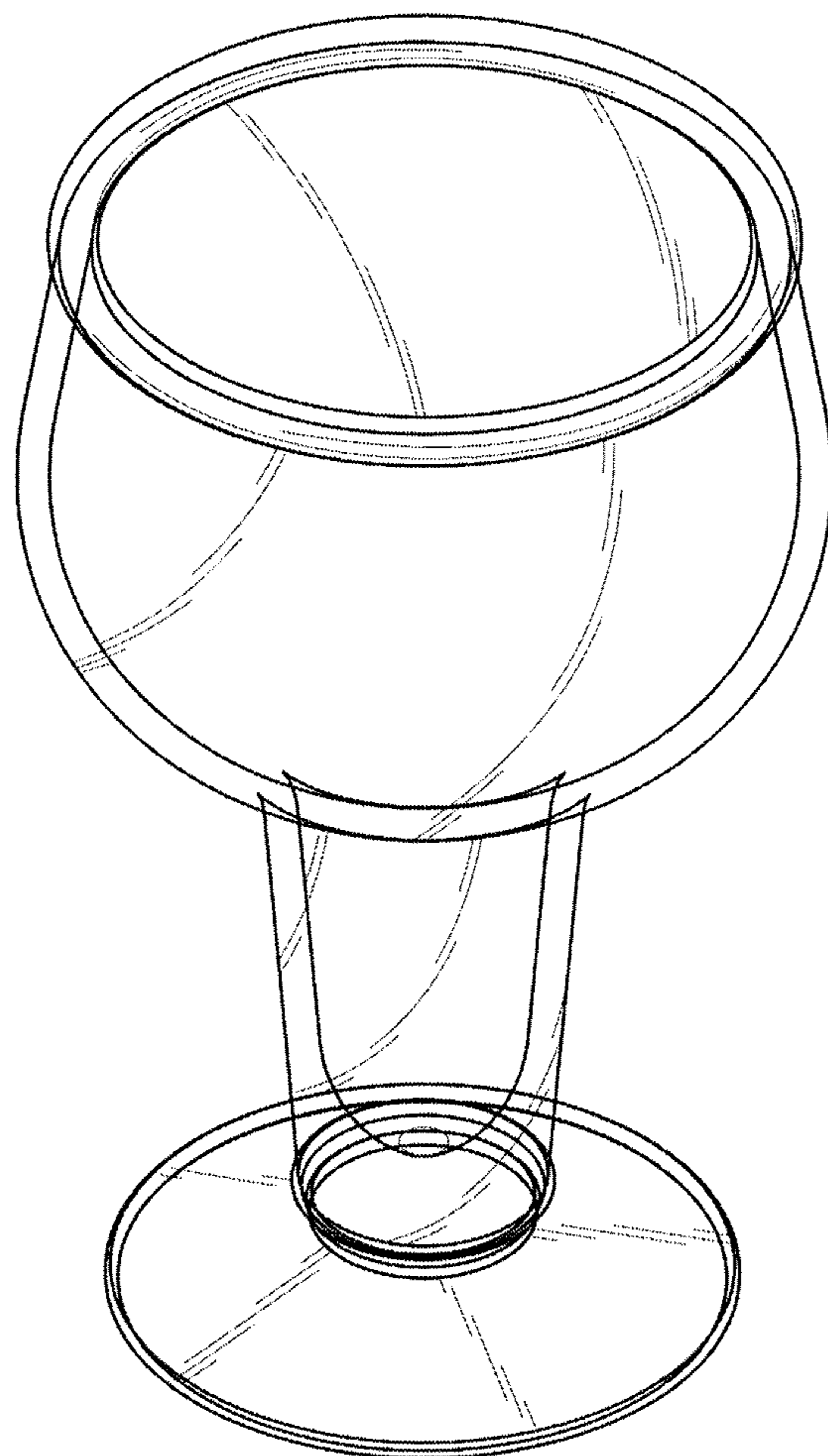


FIG. 5

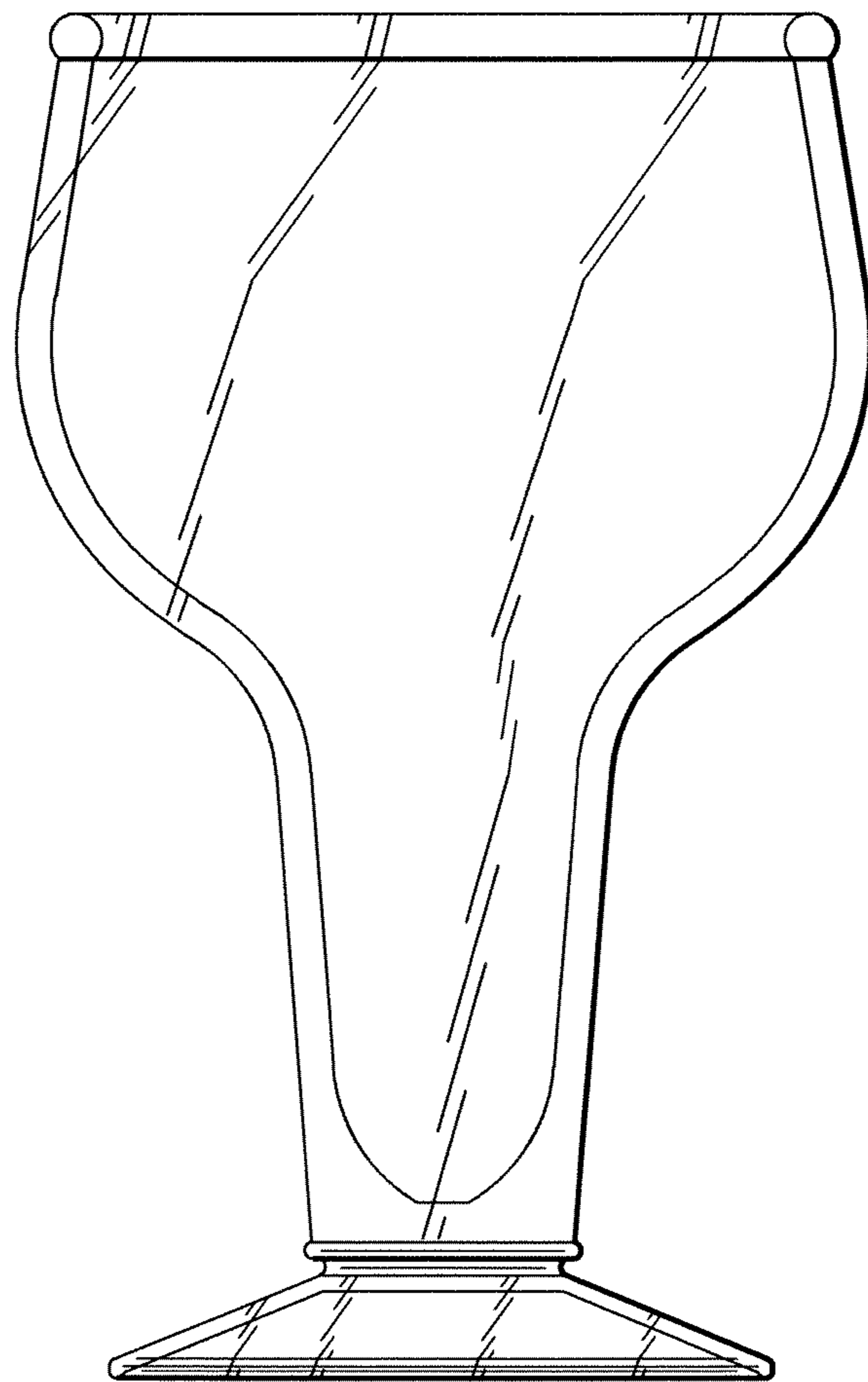


FIG. 6

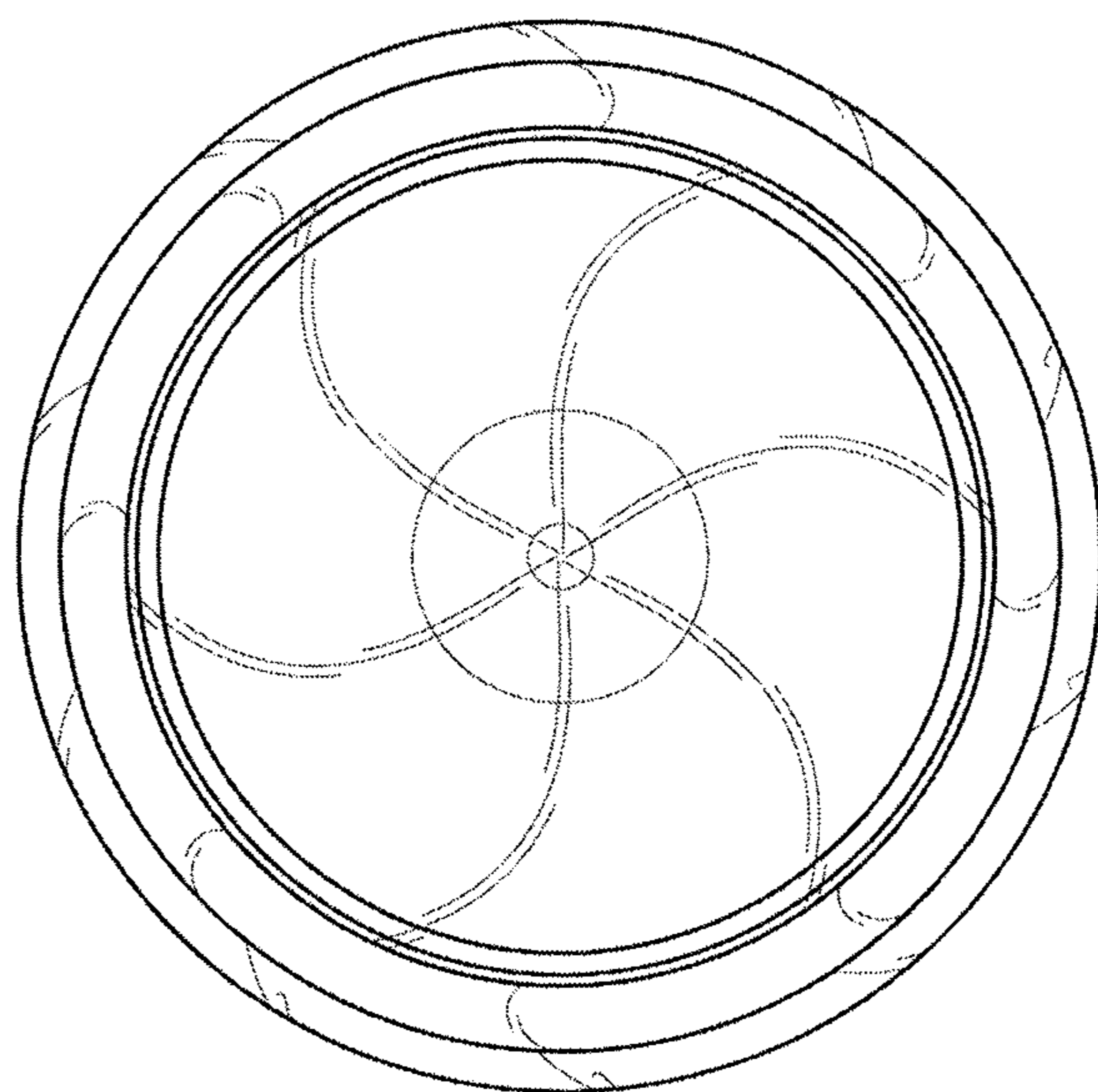


FIG. 7

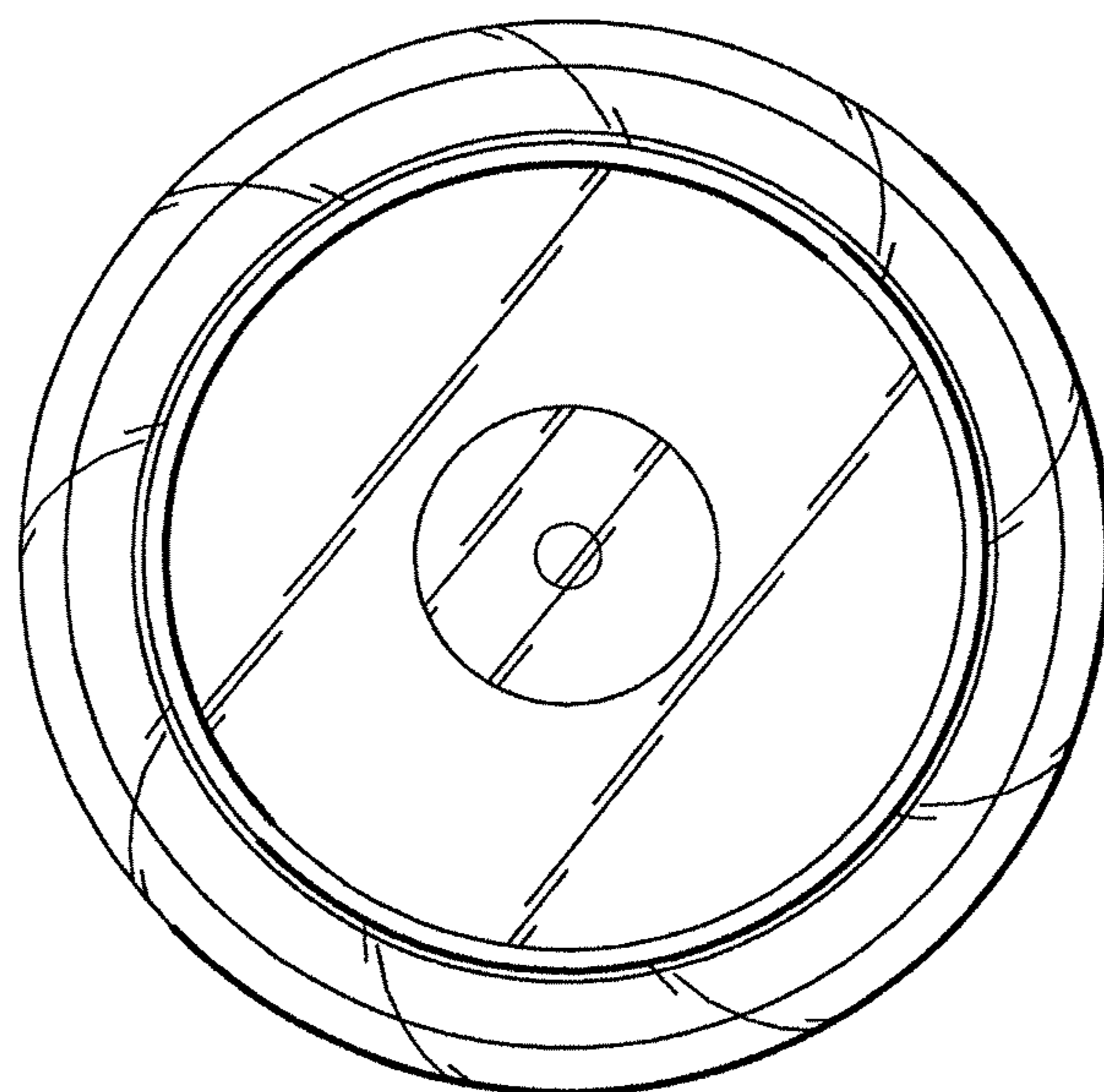


FIG. 8