



US00D756703S

(12) **United States Design Patent**  
**Kennedy**

(10) **Patent No.:** **US D756,703 S**  
(45) **Date of Patent:** **\*\* May 24, 2016**

(54) **MOUSE-SHAPED UTENSIL HANDLE**  
(71) Applicant: **Kikkerland Design, Inc.**, New York, NY (US)

(72) Inventor: **Timothy J. Kennedy**, Leonia, NJ (US)

(73) Assignee: **Kikkerland Design, Inc.**, New York, NY (US)

(\*\*) Term: **14 Years**

(21) Appl. No.: **29/522,926**

(22) Filed: **Apr. 3, 2015**

(51) **LOC (10) Cl.** ..... **07-02**

(52) **U.S. Cl.**  
USPC ..... **D7/395**; D21/656

(58) **Field of Classification Search**  
USPC ..... D7/354–358, 359–361, 391, 393, 402, D7/405, 406, 650, 656, 678; D8/107, 300, D8/307; D21/656  
CPC ..... A47J 45/06; A47J 45/061; A47J 45/62; A47J 45/08; A47J 45/085; B65D 25/2802; B65D 25/2882; B65D 25/2885; B65D 25/2888; B65D 25/2894; B26B 9/00  
See application file for complete search history.

(56) **References Cited**

**U.S. PATENT DOCUMENTS**

D301,905 S \* 6/1989 Havelock ..... D21/656  
D412,427 S \* 8/1999 Prissberg ..... D7/642  
D420,409 S \* 2/2000 Koenig ..... D21/656  
D499,313 S \* 12/2004 Lawson ..... D7/678  
D544,929 S \* 6/2007 Crane ..... D21/592  
D550,522 S \* 9/2007 Raia ..... D14/454

D644,792 S \* 9/2011 Lee ..... D21/656  
D721,212 S \* 1/2015 Paculdo ..... D30/160  
D724,796 S \* 3/2015 Diskin ..... D21/656

**OTHER PUBLICATIONS**

Fred & Friends NIBBLED Cutting/Serving Board and Knife Set, available online—reviewed Jul. 5, 2011 [[http://www.amazon.com/Fred-Friends-NIBBLED-Cutting-Serving/dp/B007M2OR08/ref=cm\\_cr\\_arp\\_d\\_product\\_top?ie=UTF8](http://www.amazon.com/Fred-Friends-NIBBLED-Cutting-Serving/dp/B007M2OR08/ref=cm_cr_arp_d_product_top?ie=UTF8)].\*

\* cited by examiner

*Primary Examiner* — Cynthia M Chin

(74) *Attorney, Agent, or Firm* — Charles H. Jew

(57) **CLAIM**

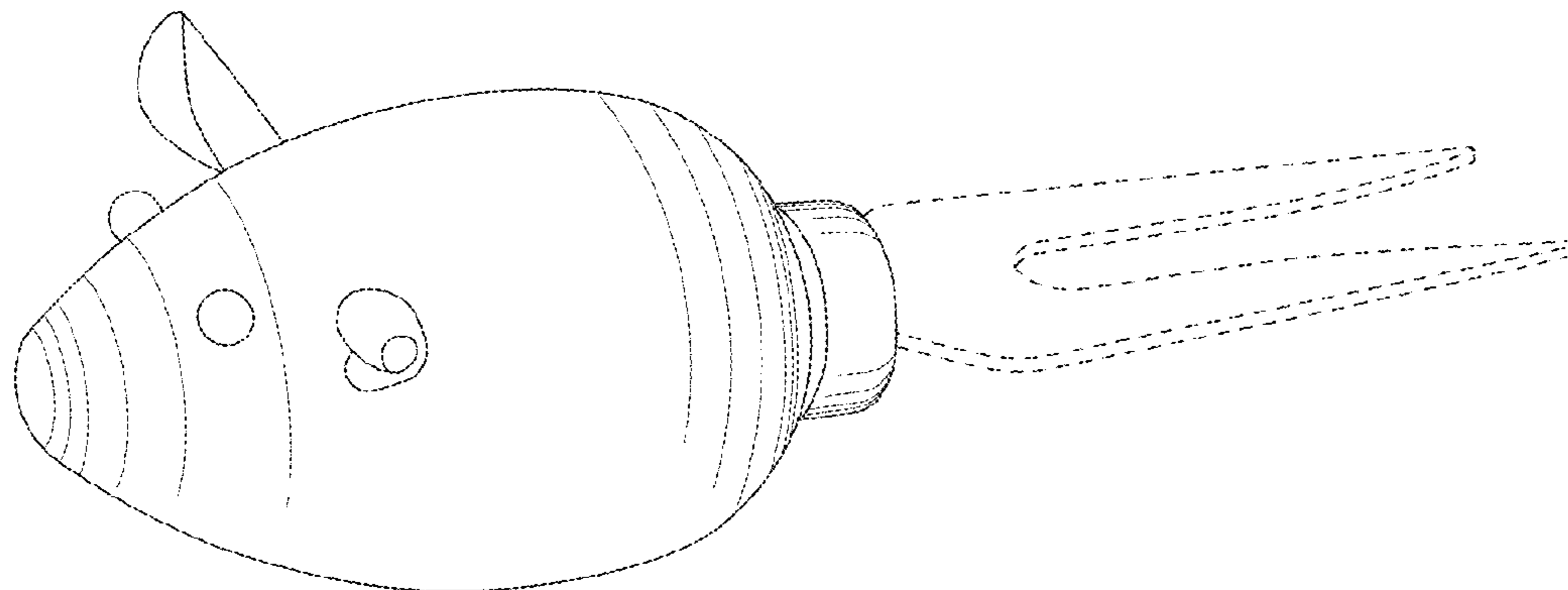
The ornamental design for a mouse-shaped utensil handle, as shown and described.

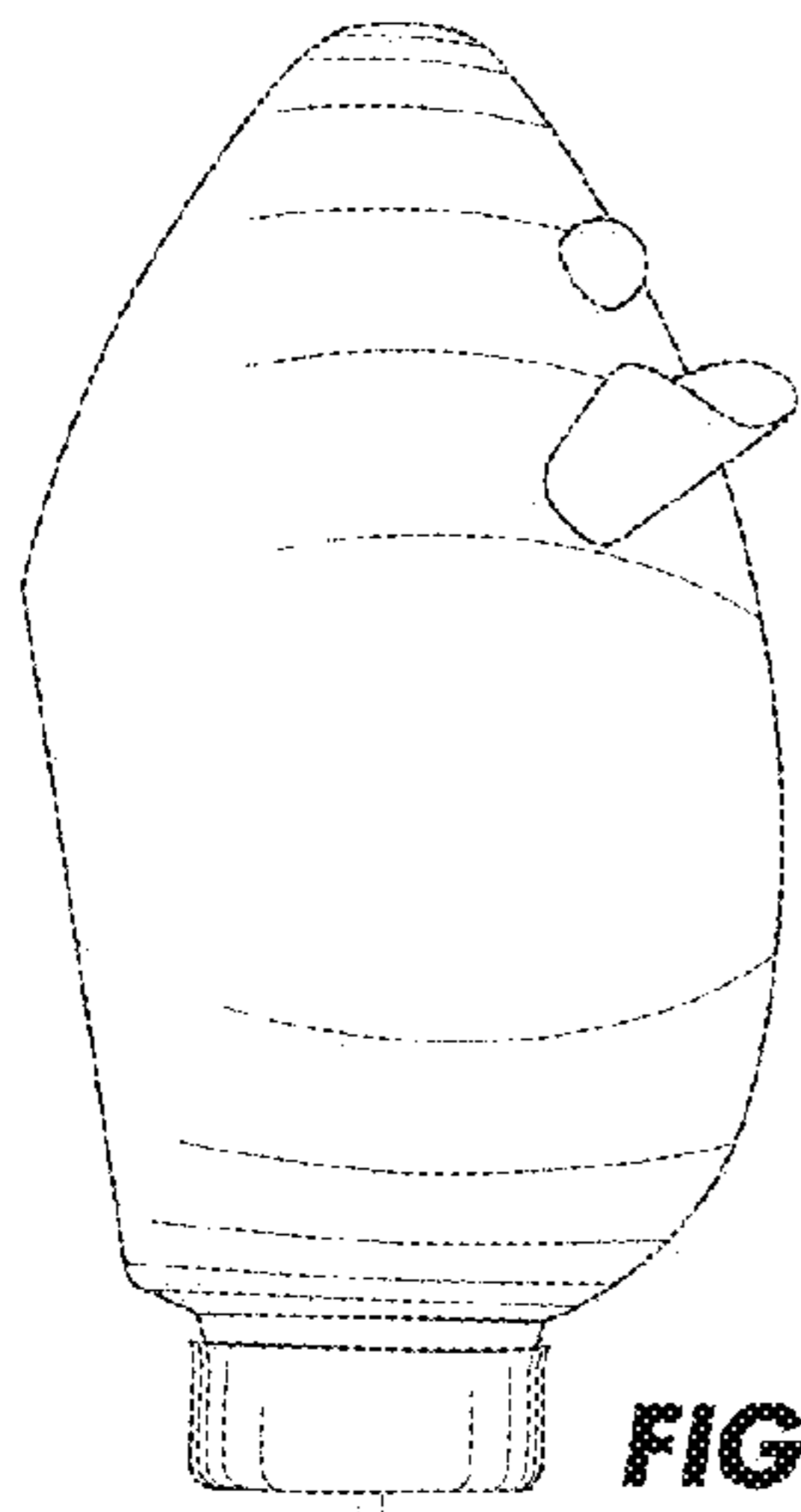
**DESCRIPTION**

FIG. 1 is a right side elevational view of the mouse-shaped utensil handle of my design used with a cheese fork;  
FIG. 2 is a left side elevational view thereof;  
FIG. 3 is a front elevational view of thereof;  
FIG. 4 is a rear elevational view thereof;  
FIG. 5 is a top plan view thereof;  
FIG. 6 is a bottom plan view thereof;  
FIG. 7 is a front perspective view thereof;  
FIG. 8 is a front perspective view thereof used with a cheese knife; and,  
FIG. 9 is a front perspective view thereof used with a cheese spreader.

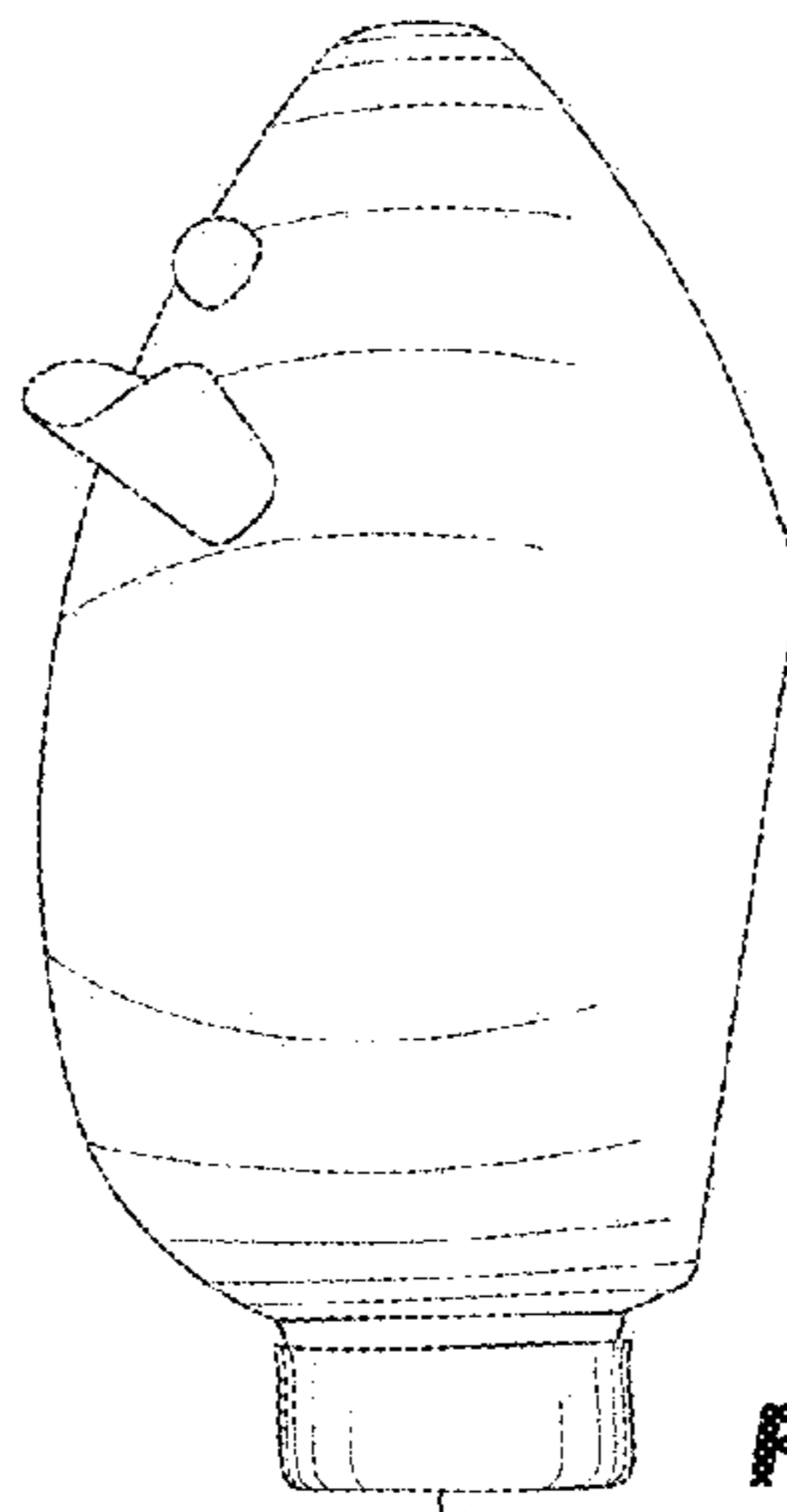
The broken lines in the Figures illustrating the different utensils are for illustration purposes only and form no part of the claimed design.

**1 Claim, 2 Drawing Sheets**

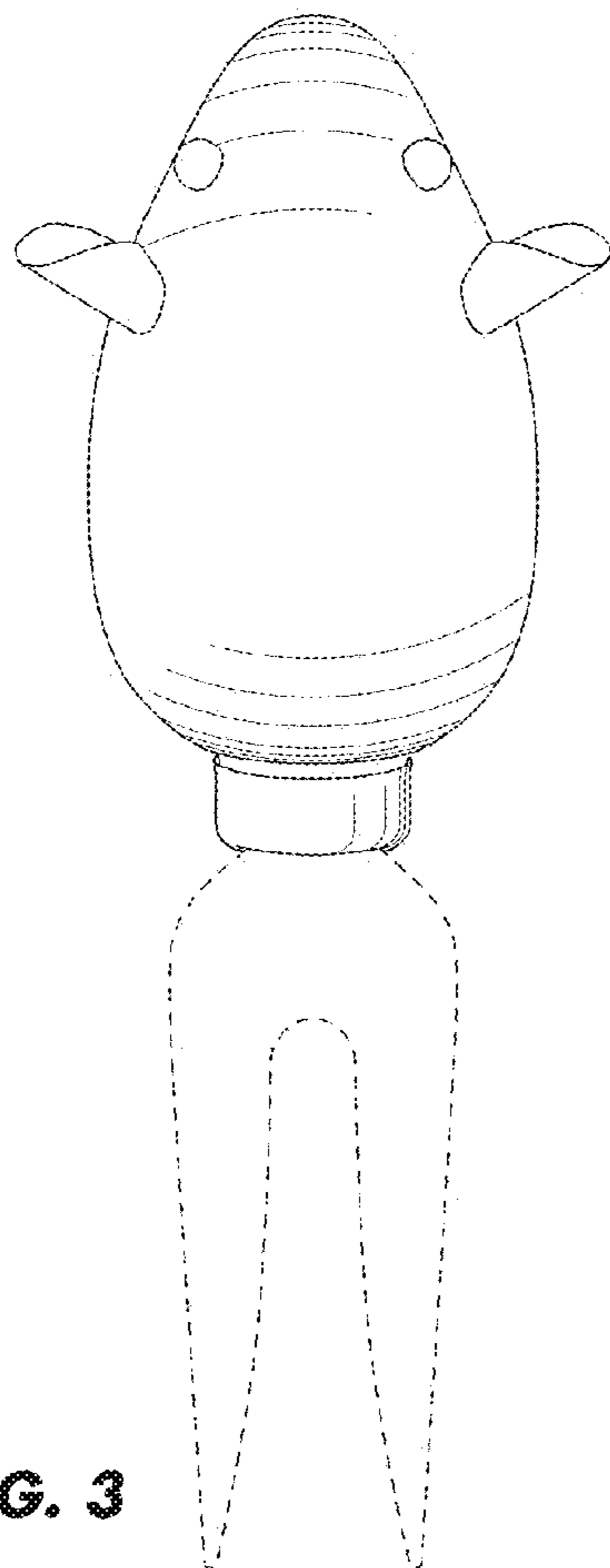




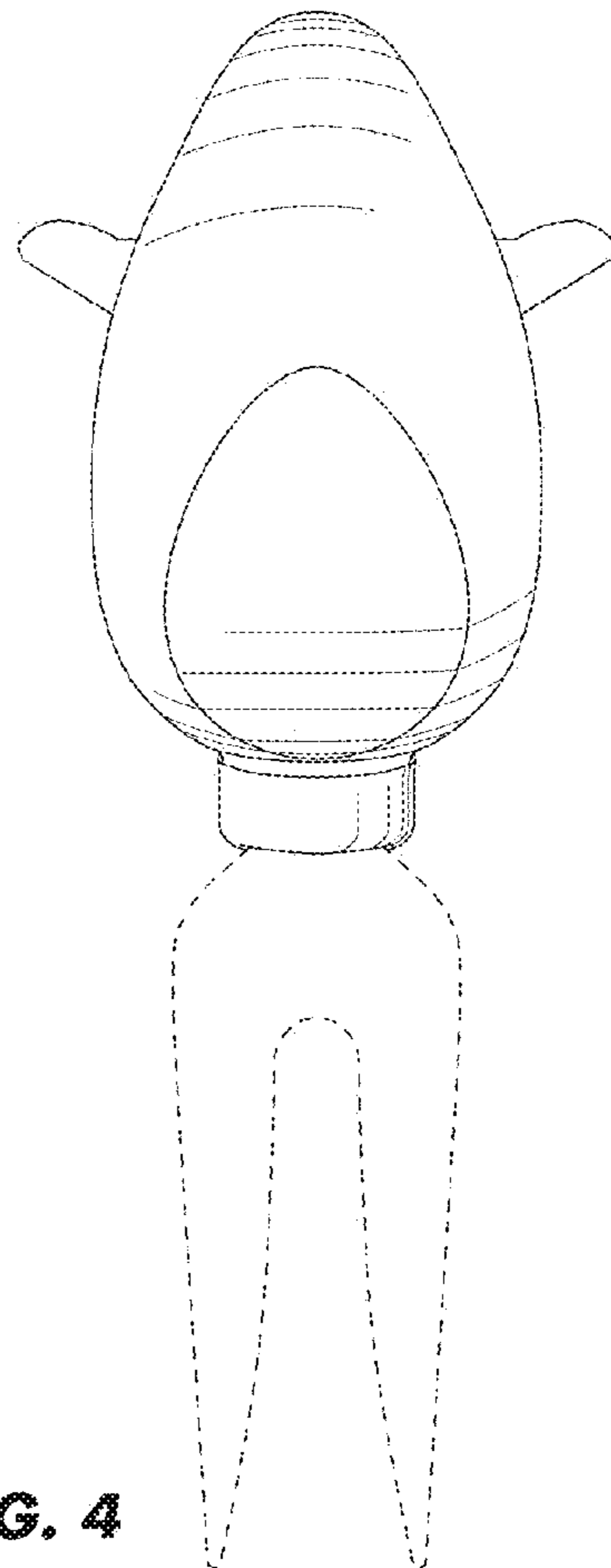
**FIG. 1**



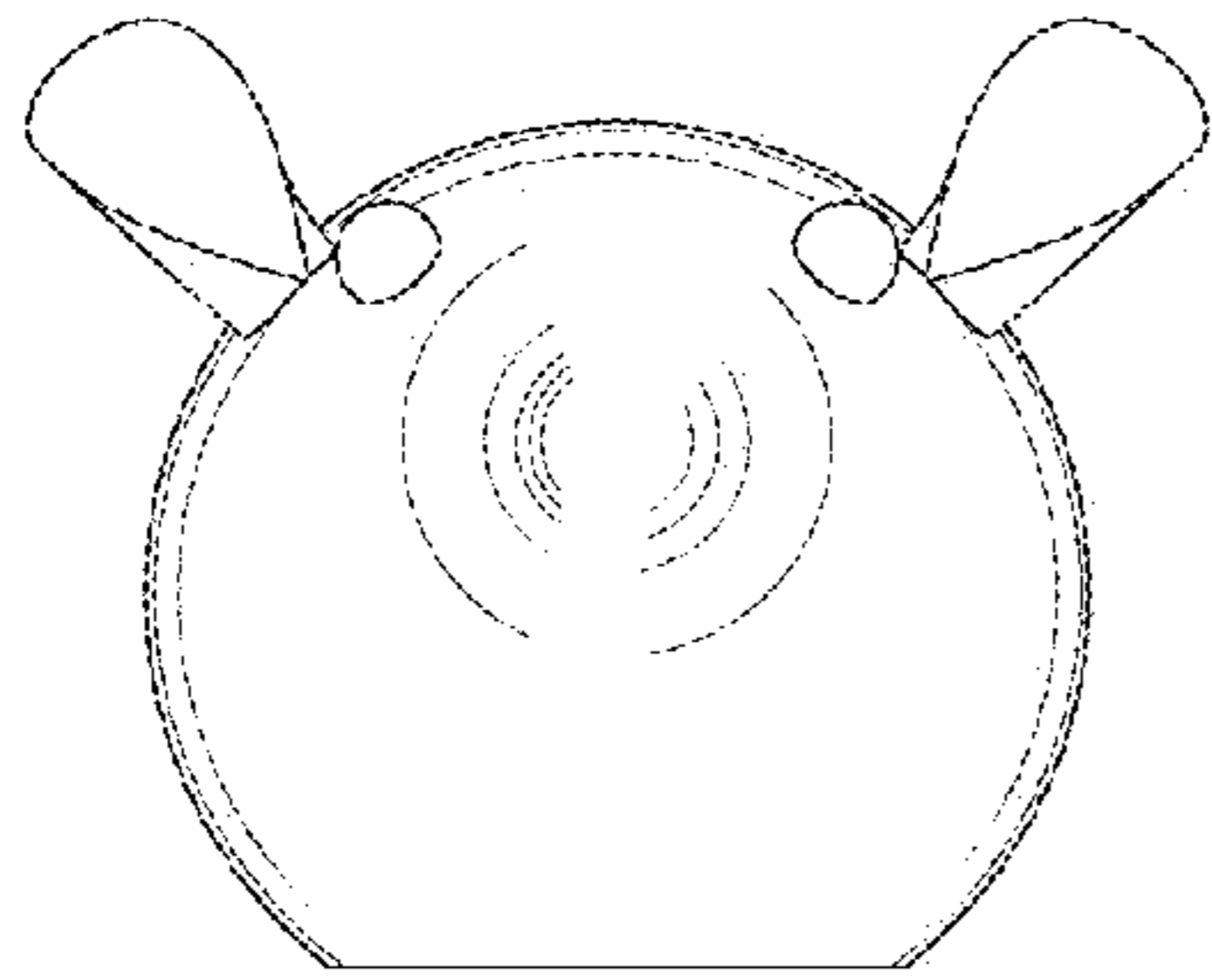
**FIG. 2**



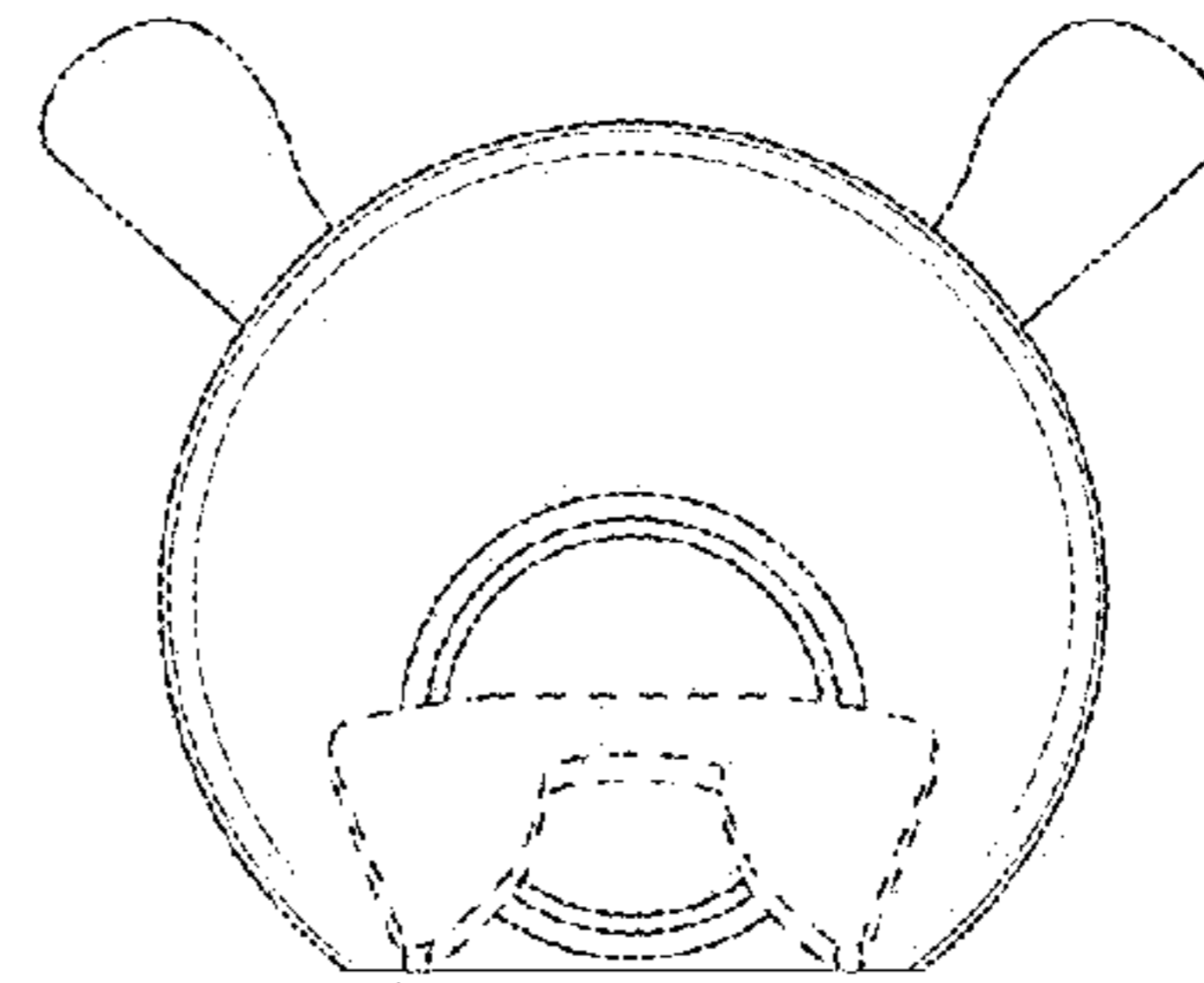
**FIG. 3**



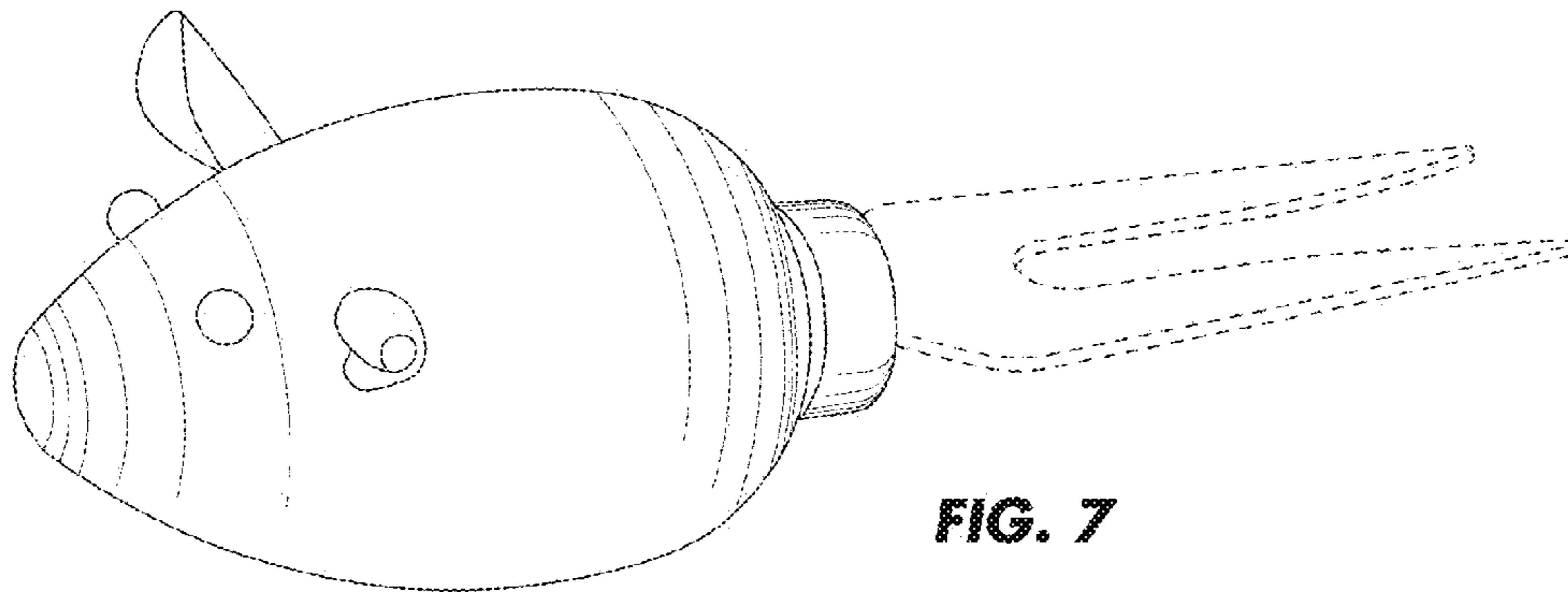
**FIG. 4**



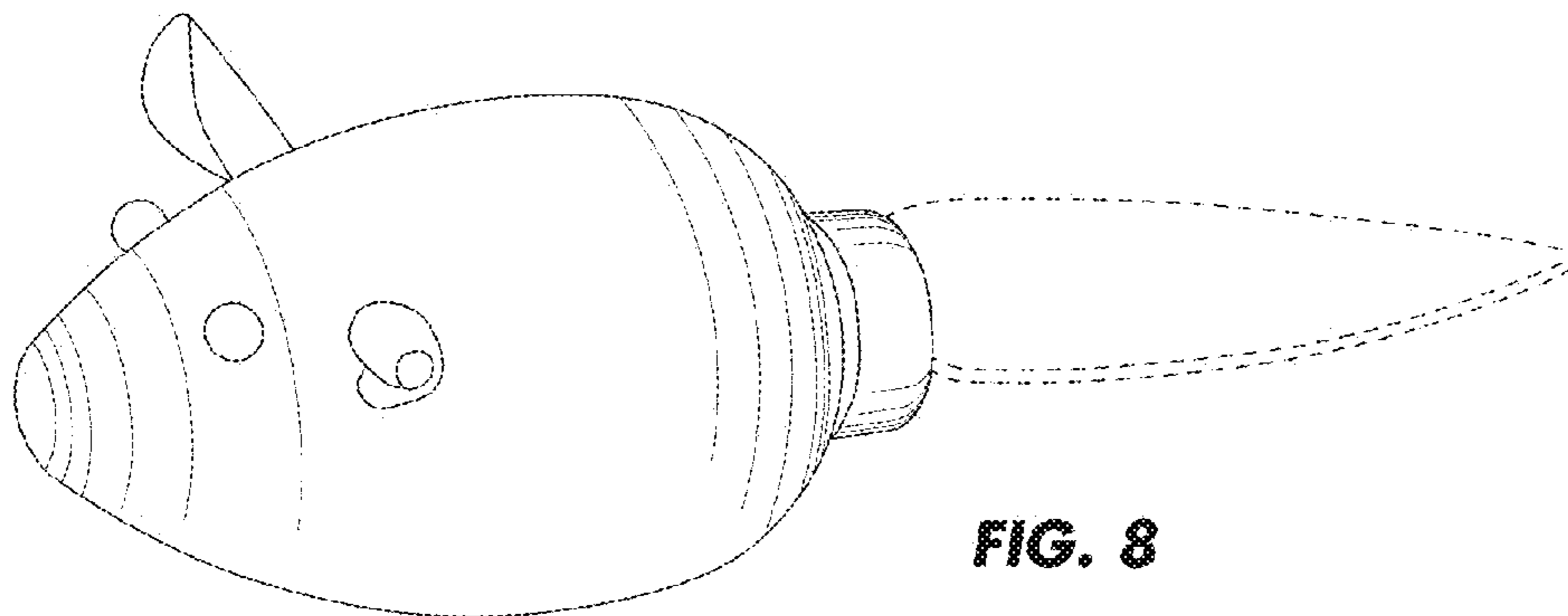
**FIG. 5**



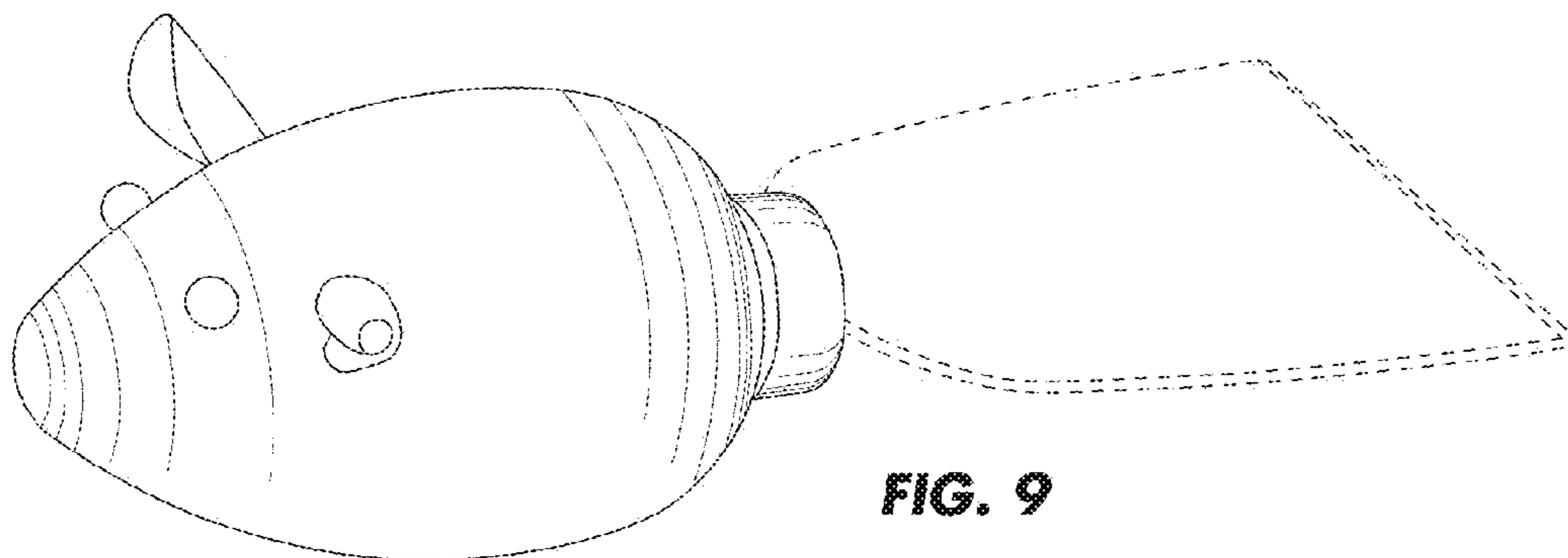
**FIG. 6**



**FIG. 7**



**FIG. 8**



**FIG. 9**