



US00D756702S

(12) **United States Design Patent**
Joseph et al.

(10) **Patent No.:** **US D756,702 S**

(45) **Date of Patent:** **** May 24, 2016**

(54) **BOTTLE LID**

(71) Applicant: **Ignite USA, LLC**, Chicago, IL (US)

(72) Inventors: **David Joseph**, St. Charles, IL (US);
Blair Miller, Chicago, IL (US)

(**) Term: **14 Years**

(21) Appl. No.: **29/515,384**

(22) Filed: **Jan. 22, 2015**

(51) **LOC (10) Cl.** **07-02**

(52) **U.S. Cl.**
USPC **D7/392.1; D7/396.2**

(58) **Field of Classification Search**
USPC D7/300, 300.1, 300.2, 303, 316, 317,
D7/396.2, 397, 398, 509, 510, 511, 392.1;
D9/738, 763, 778, 434, 435, 436, 439,
D9/440, 443, 444, 445, 447, 448, 449, 450,
D9/452, 453, 454

See application file for complete search history.

D721,276 S * 1/2015 Herbst D7/396.2
D723,328 S * 3/2015 Steel D7/396.2
D723,332 S * 3/2015 Steel D7/510
D729,569 S * 5/2015 Herbst D7/392
D730,694 S * 6/2015 Elsaden D7/511
D741,637 S * 10/2015 Palermo D7/300.1
9,162,802 B2 * 10/2015 El-Saden B65D 47/066
D742,230 S * 11/2015 Charles D7/396.2
2006/0226110 A1 * 10/2006 Choi B65D 47/065
215/228
2010/0224631 A1 * 9/2010 Roth B65D 45/025
220/288
2011/0253733 A1 * 10/2011 Meyers B65D 47/089
220/833
2015/0201773 A1 * 7/2015 Sorensen A47J 43/27
220/254.5

* cited by examiner

Primary Examiner — Robert M Spear
Assistant Examiner — Marissa J Cash

(57) **CLAIM**
The ornamental design for a “bottle lid,” as shown and described.

(56) **References Cited**

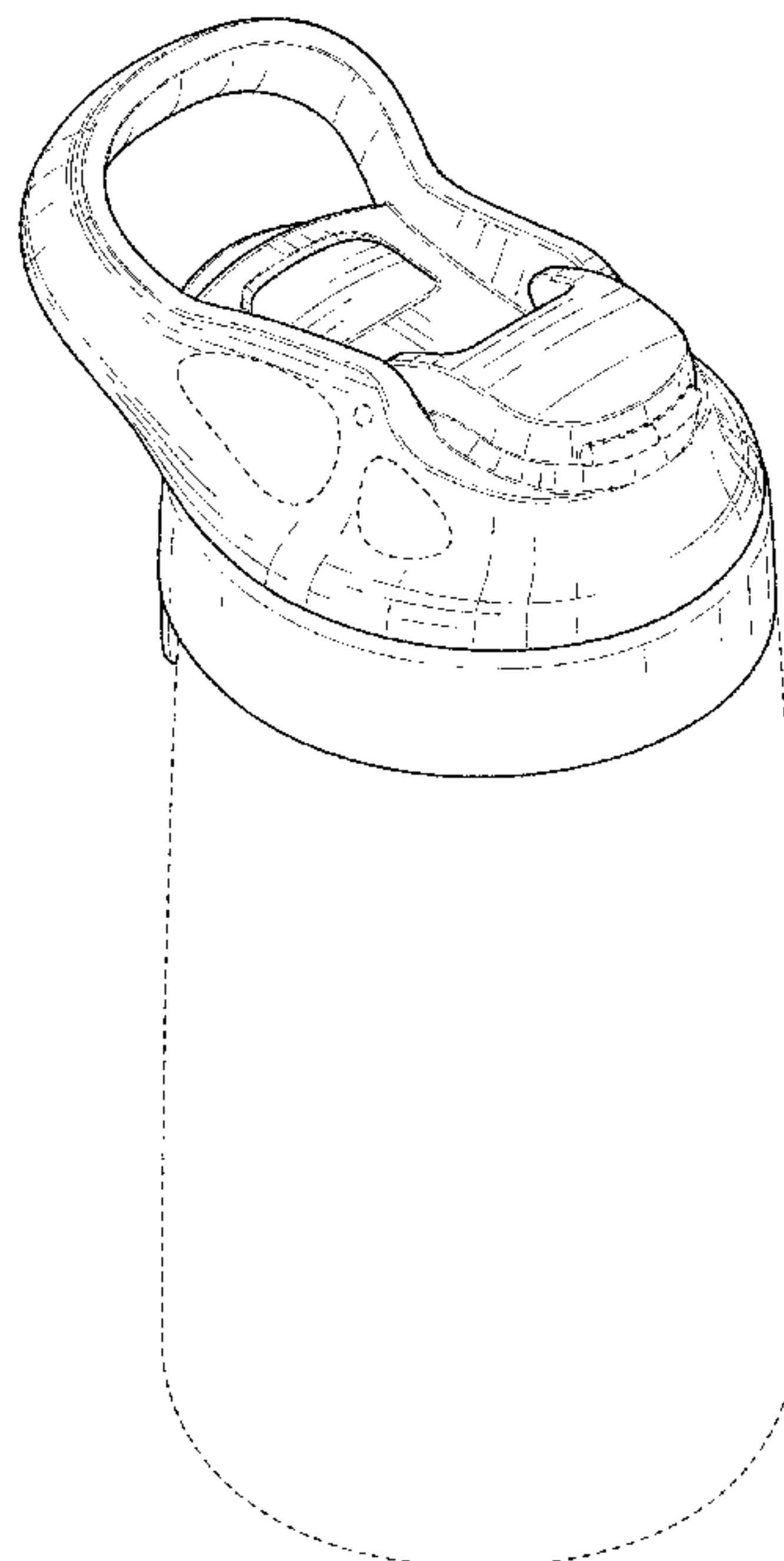
U.S. PATENT DOCUMENTS

D547,607 S * 7/2007 Forsman D7/396.2
D581,727 S 12/2008 Pinelli et al.
D586,184 S * 2/2009 Miller D7/511
D592,456 S 5/2009 Pinelli et al.
D649,879 S * 12/2011 Gullickson D9/443
D652,256 S * 1/2012 Eyal D7/510
D679,541 S * 4/2013 Samartgis D7/392.1
D682,034 S * 5/2013 El-Saden D7/510
D707,124 S * 6/2014 Blain D9/443
RE45,055 E 8/2014 Roth et al.
D716,657 S * 11/2014 Caneer D9/443
D719,780 S * 12/2014 Sullivan D7/392.1

DESCRIPTION

FIG. 1 is a perspective view of a bottle lid showing a new design;
FIG. 2 is a right view thereof;
FIG. 3 is a left view thereof;
FIG. 4 is a front view thereof;
FIG. 5 is a back view thereof;
FIG. 6 is a top view thereof; and,
FIG. 7 is a bottom view thereof.
The subject matter shown in dashed lines is for illustrative purposes and forms no part of the claimed design.

1 Claim, 7 Drawing Sheets



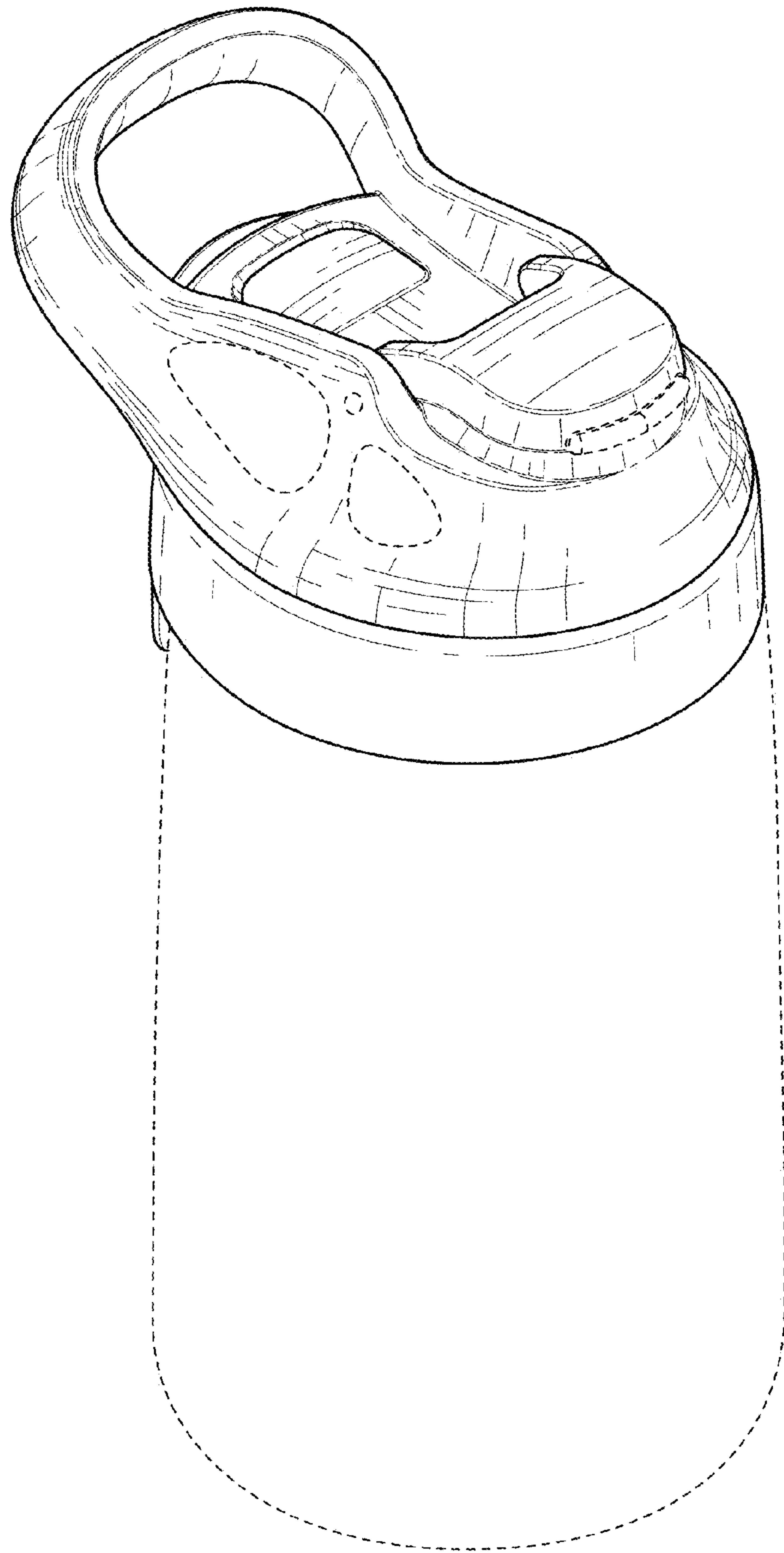


FIG. 1

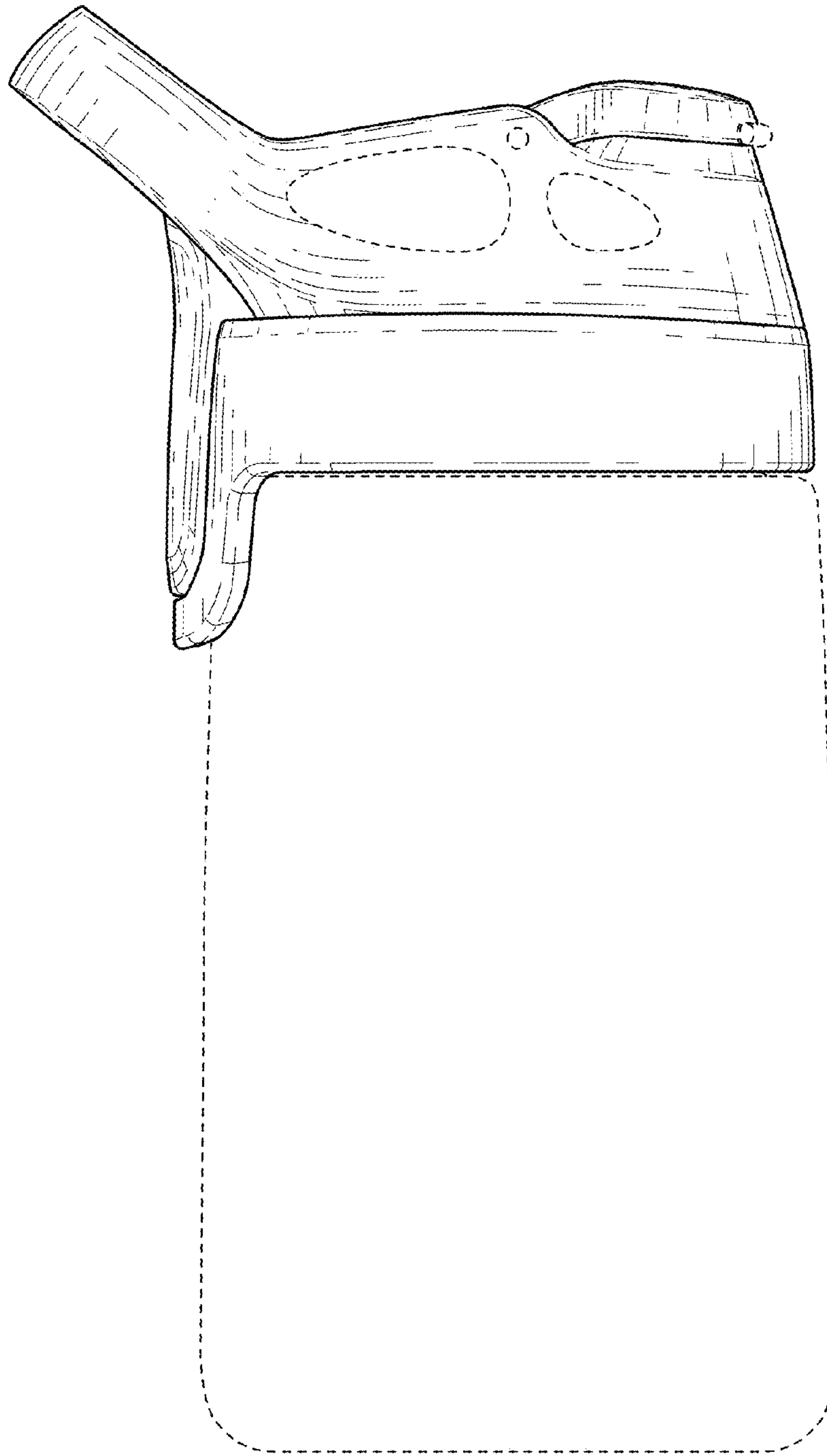


FIG. 2

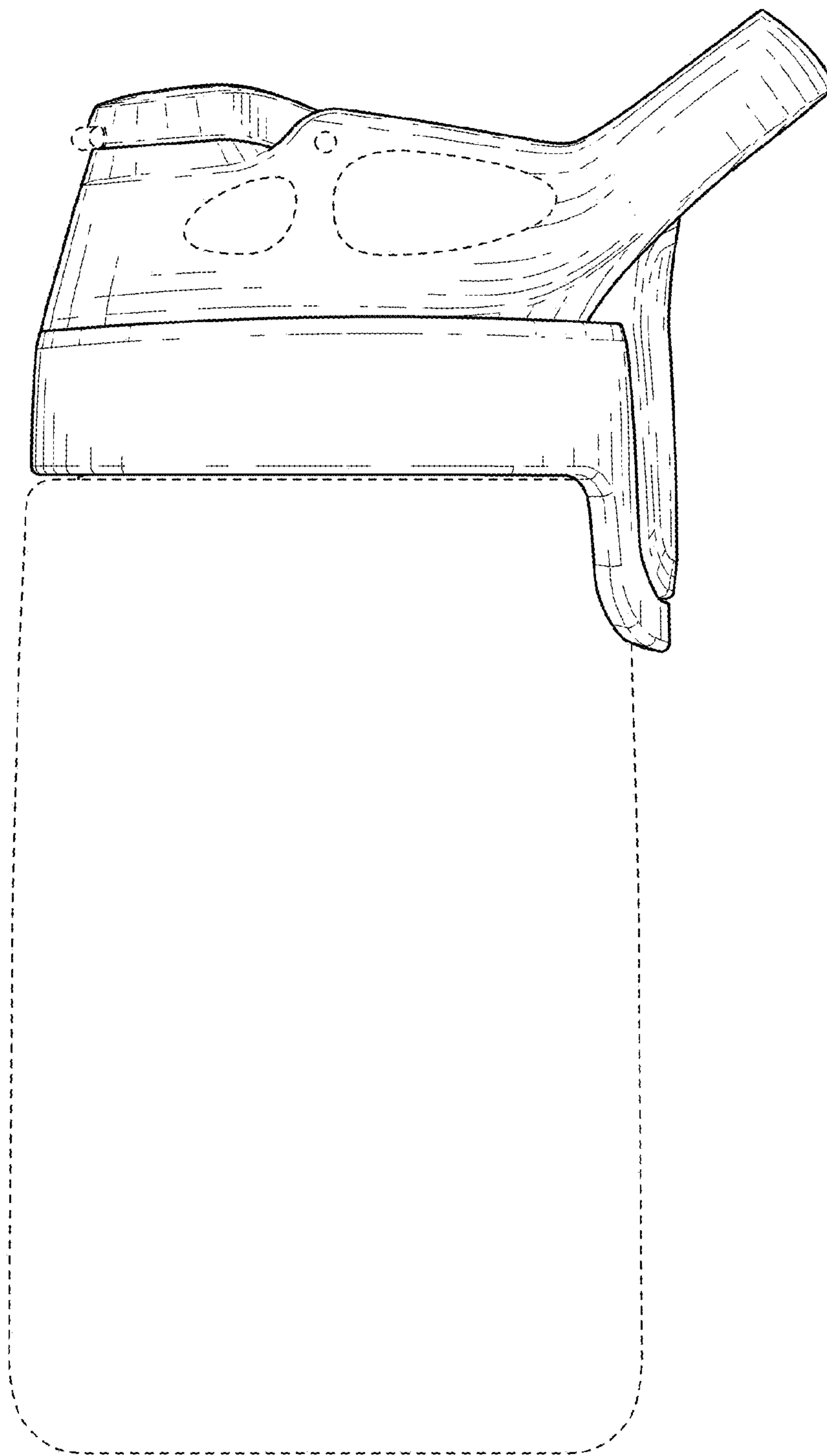


FIG. 3

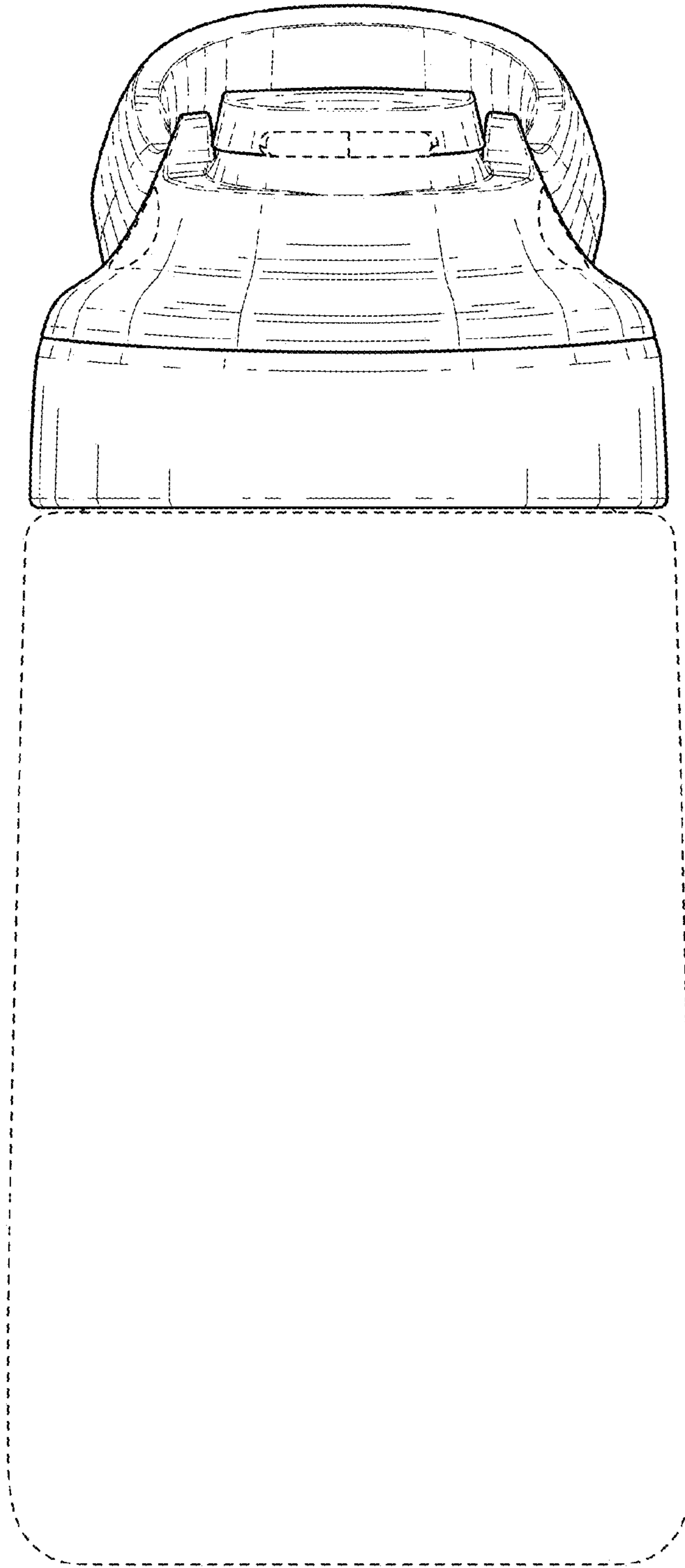


FIG. 4

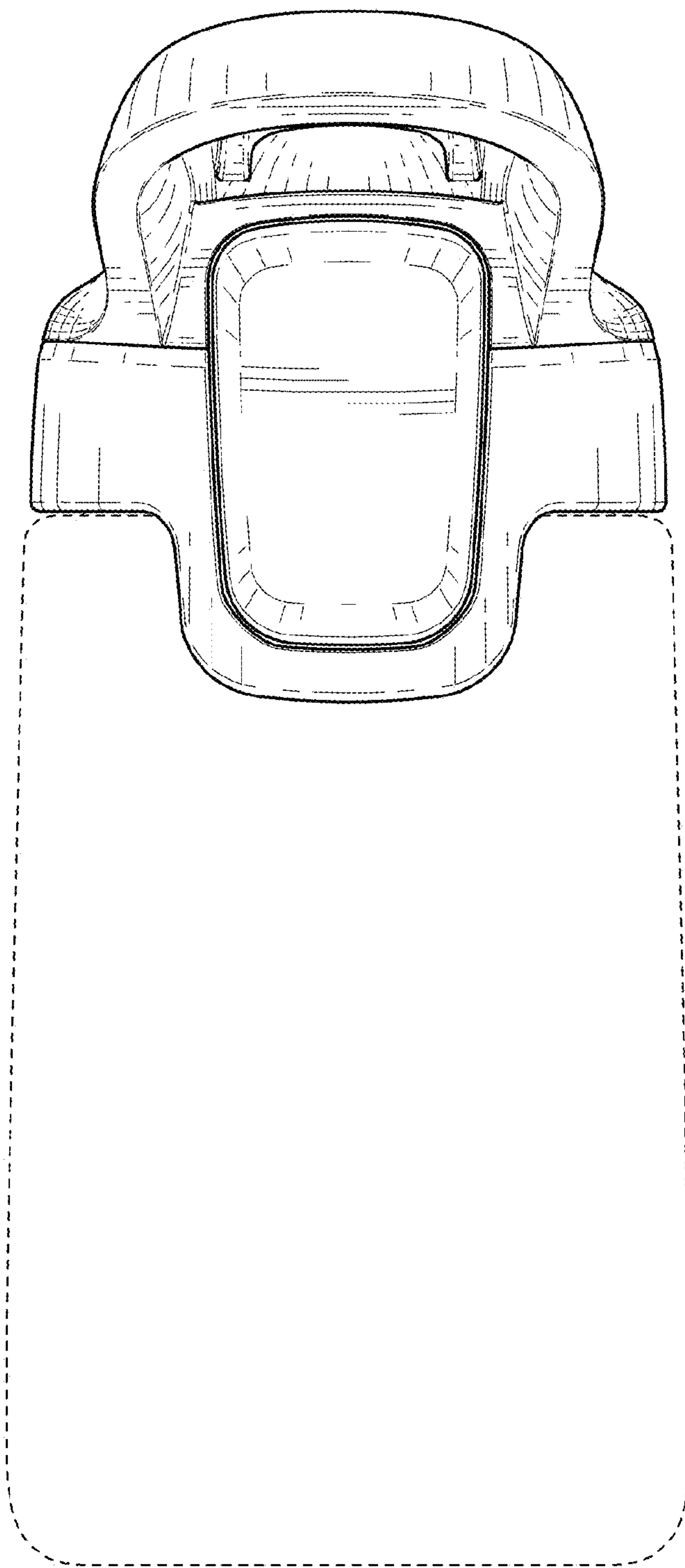


FIG. 5

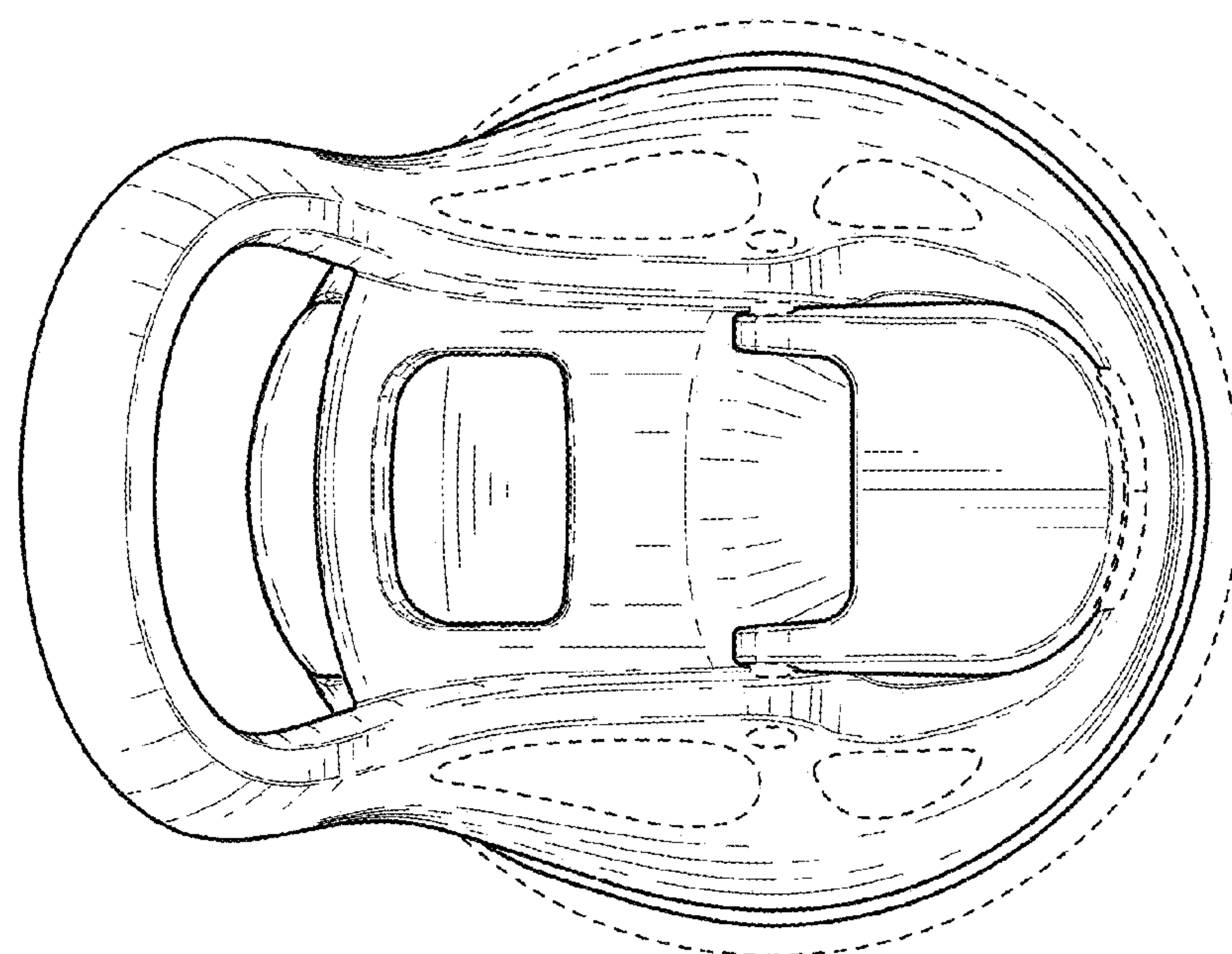


FIG. 6

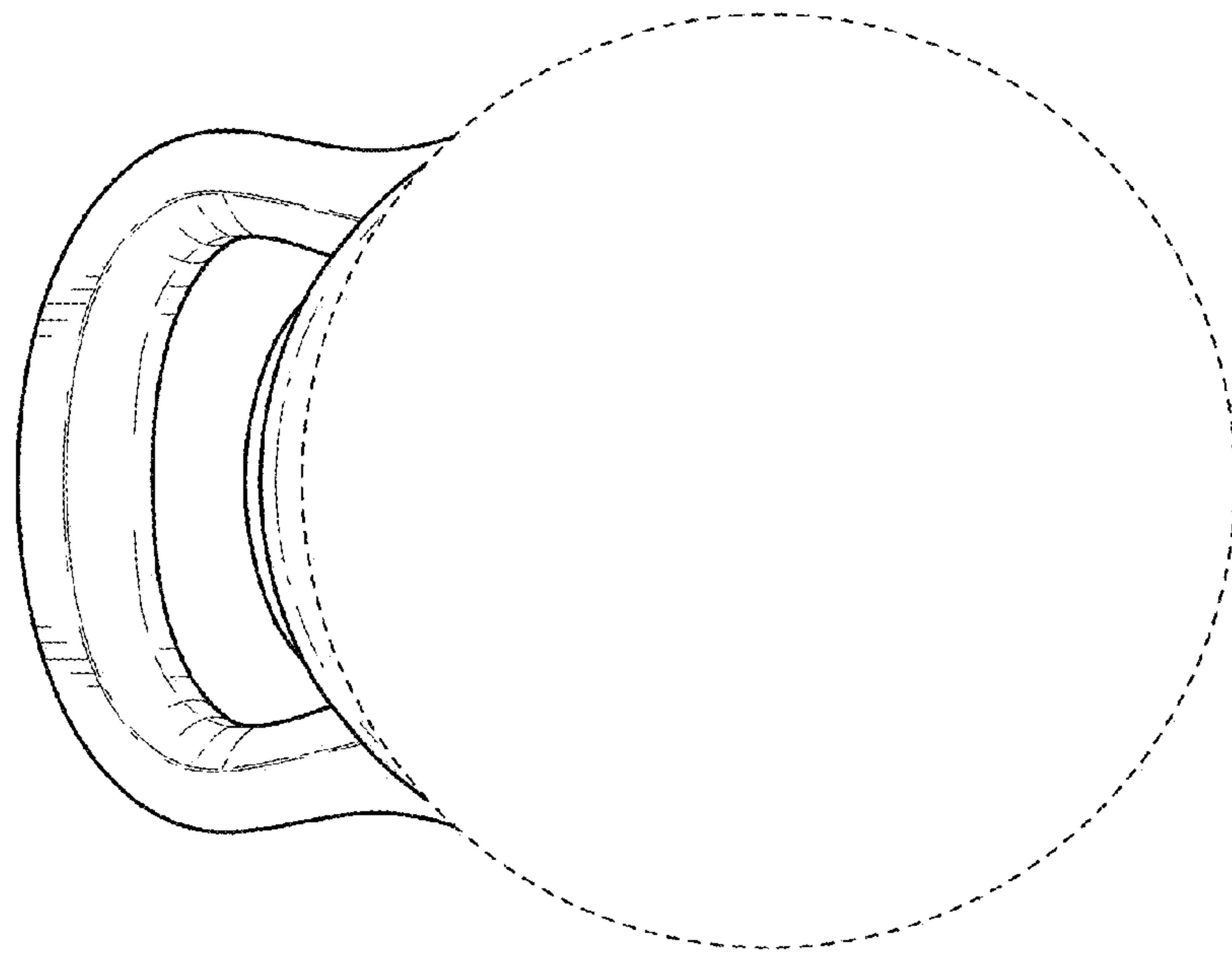


FIG. 7