



US00D756701S

(12) **United States Design Patent**  
**Mettler et al.**

(10) **Patent No.:** **US D756,701 S**  
(45) **Date of Patent:** **\*\* May 24, 2016**

(54) **BOTTLE CAP**

(71) Applicant: **SIGG SWITZERLAND AG,**  
Frauenfeld (CH)

(72) Inventors: **Jörg Mettler,** Neiderlenz (CH); **Thilo**  
**Alex Brunner,** Zurich (CH)

(73) Assignee: **SIGG SWITZERLAND AG,**  
Frauenfeld (CH)

(\*\*) Term: **14 Years**

(21) Appl. No.: **29/513,972**

(22) Filed: **Jan. 7, 2015**

(30) **Foreign Application Priority Data**

Jul. 8, 2014 (WO) ..... DM/083 958

(51) **LOC (10) Cl.** ..... **07-01**

(52) **U.S. Cl.**  
USPC ..... **D7/392.1; D7/396.2**

(58) **Field of Classification Search**  
USPC ..... D7/319, 391, 392, 392.1, 393, 396.2,  
D7/397, 398, 509, 510, 511; D9/435, 436,  
D9/440, 447, 450, 503, 504, 516, 761;  
215/41, 224, 329, 386, 387, 388, 392,  
215/396; 220/254.8, 700, 703, 705, 710,  
220/711, 715; 222/465.1, 475.1

CPC ..... A47G 19/2272  
See application file for complete search history.

(56) **References Cited**

**U.S. PATENT DOCUMENTS**

D154,378 S \* 7/1949 Fuller ..... D9/443  
2,881,776 A \* 4/1959 Wrage ..... B44D 3/006  
134/156  
D200,895 S \* 4/1965 Symonds ..... D7/398

D384,552 S \* 10/1997 Baumgarten ..... D7/393  
D422,916 S \* 4/2000 Herrmann ..... D9/443  
D462,615 S \* 9/2002 Weil ..... D9/428  
D621,258 S \* 8/2010 Gullickson ..... D9/443  
D627,601 S \* 11/2010 Eyal ..... D7/510  
D631,666 S \* 2/2011 Lim ..... D4/129  
D683,582 S \* 6/2013 Rae ..... D7/394  
D693,170 S \* 11/2013 Rosbach ..... D7/392.1  
D708,954 S \* 7/2014 Barnes ..... D7/511  
D729,579 S \* 5/2015 Molayem ..... D7/507

**OTHER PUBLICATIONS**

“SIGG Classis Thermos Water Bottle with Tea Filter”. Found online Aug. 24, 2015 at amazon.com. Page dated Mar. 28, 2014. Retrieved from [http://www.amazon.com/Classic-Thermo-0-5-Liter-Bottle-Filter/dp/B00GOEK61O/ref=cm\\_cr\\_pr\\_product\\_top?ie=UTF8](http://www.amazon.com/Classic-Thermo-0-5-Liter-Bottle-Filter/dp/B00GOEK61O/ref=cm_cr_pr_product_top?ie=UTF8).\*

\* cited by examiner

*Primary Examiner* — Robert M Spear

*Assistant Examiner* — Kendra L Hamilton

(74) *Attorney, Agent, or Firm* — Pearne & Gordon LLP

(57) **CLAIM**

The ornamental design for a bottle cap, as shown and described.

**DESCRIPTION**

FIG. 1 is a top view of my new invention;  
FIG. 2 is a front view thereof;  
FIG. 3 is a left view thereof;  
FIG. 4 is a rear view thereof;  
FIG. 5 is a front perspective view thereof;  
FIG. 6 is a right view thereof;  
FIG. 7 is a bottom view thereof; and,  
FIG. 8 is a rear perspective view thereof.  
The broken line showing in FIG. 7 illustrates a portion of the bottle cap that forms no part of the claimed design.

**1 Claim, 8 Drawing Sheets**

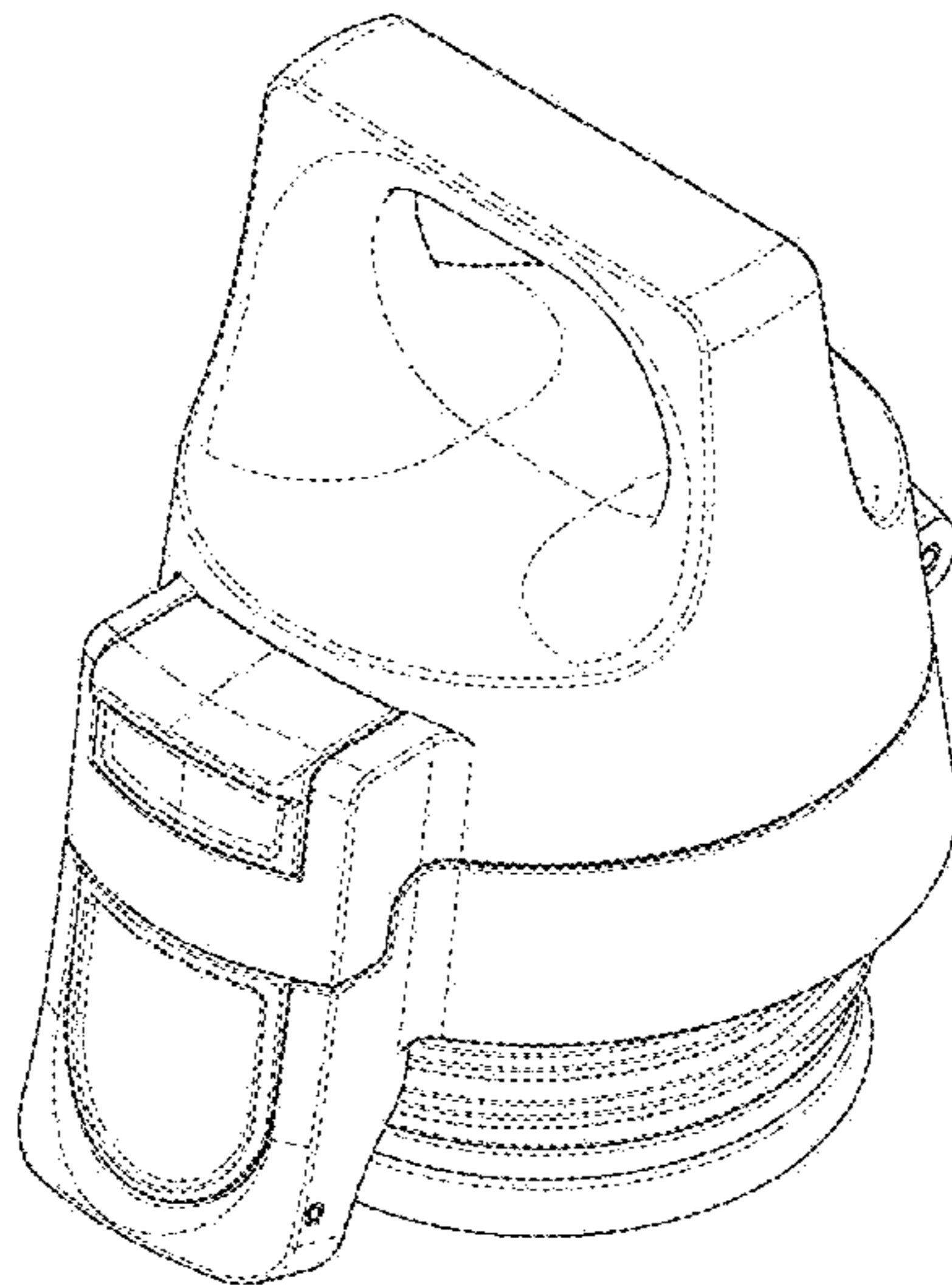


FIG. 1

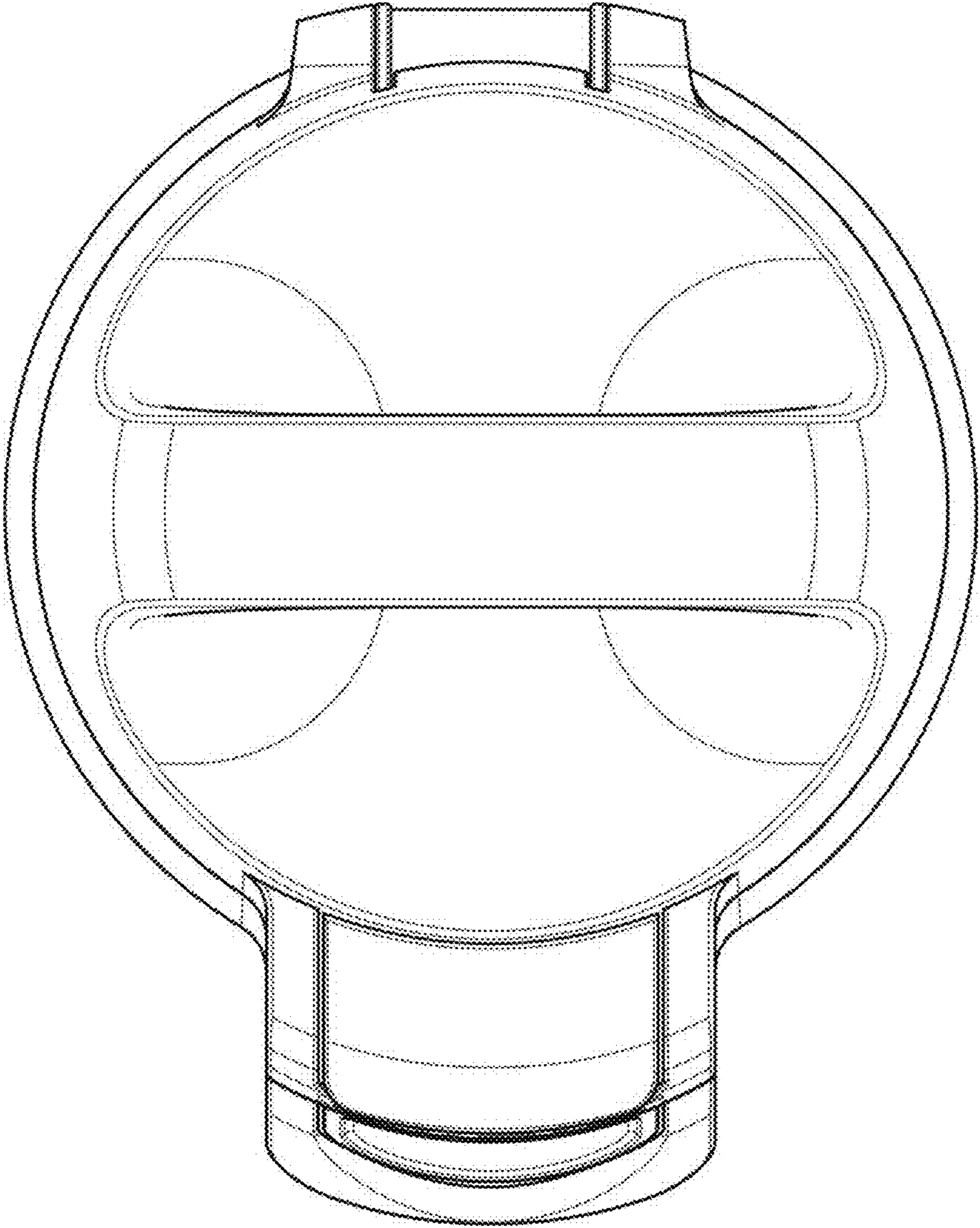


FIG. 2

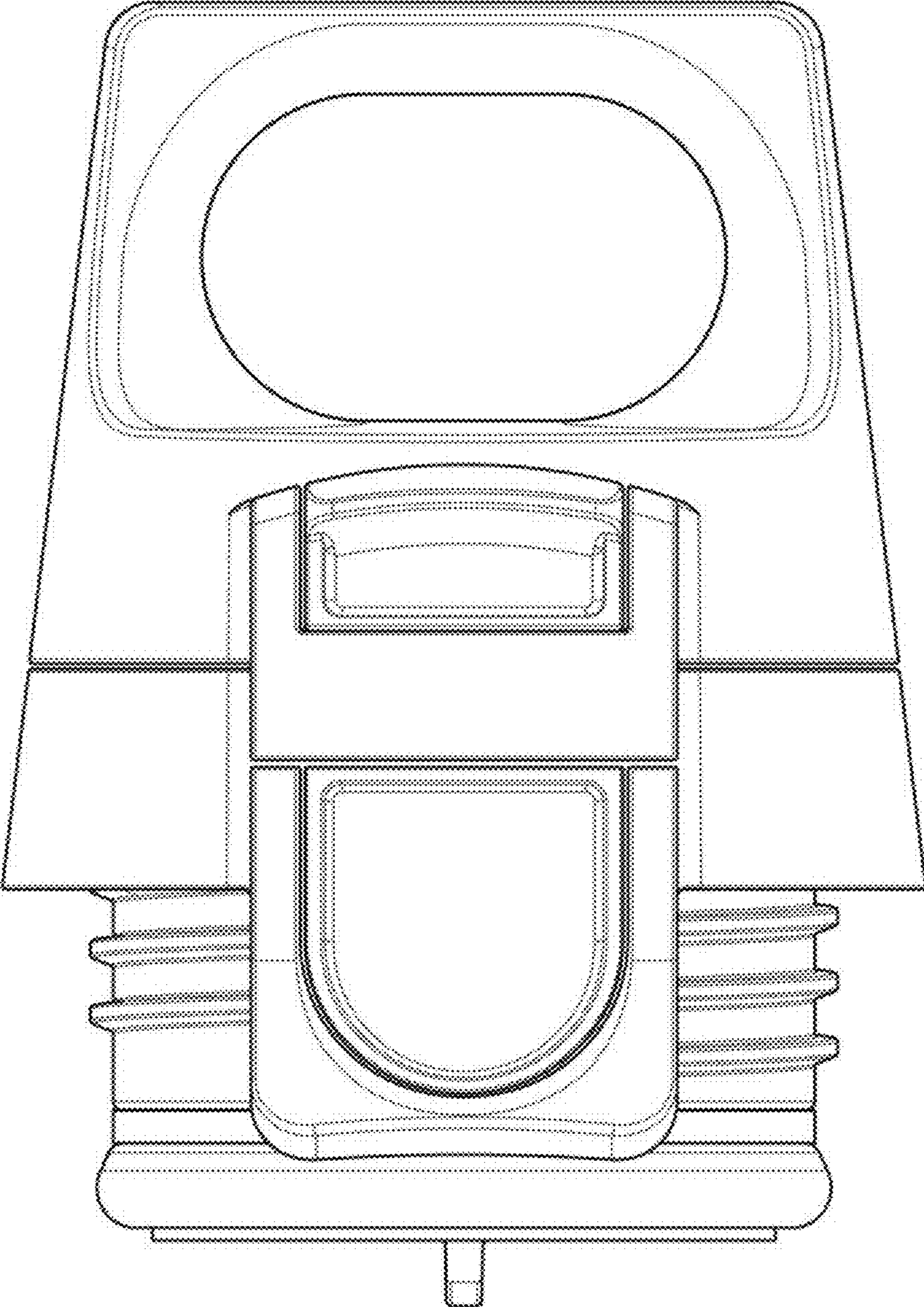


FIG. 3

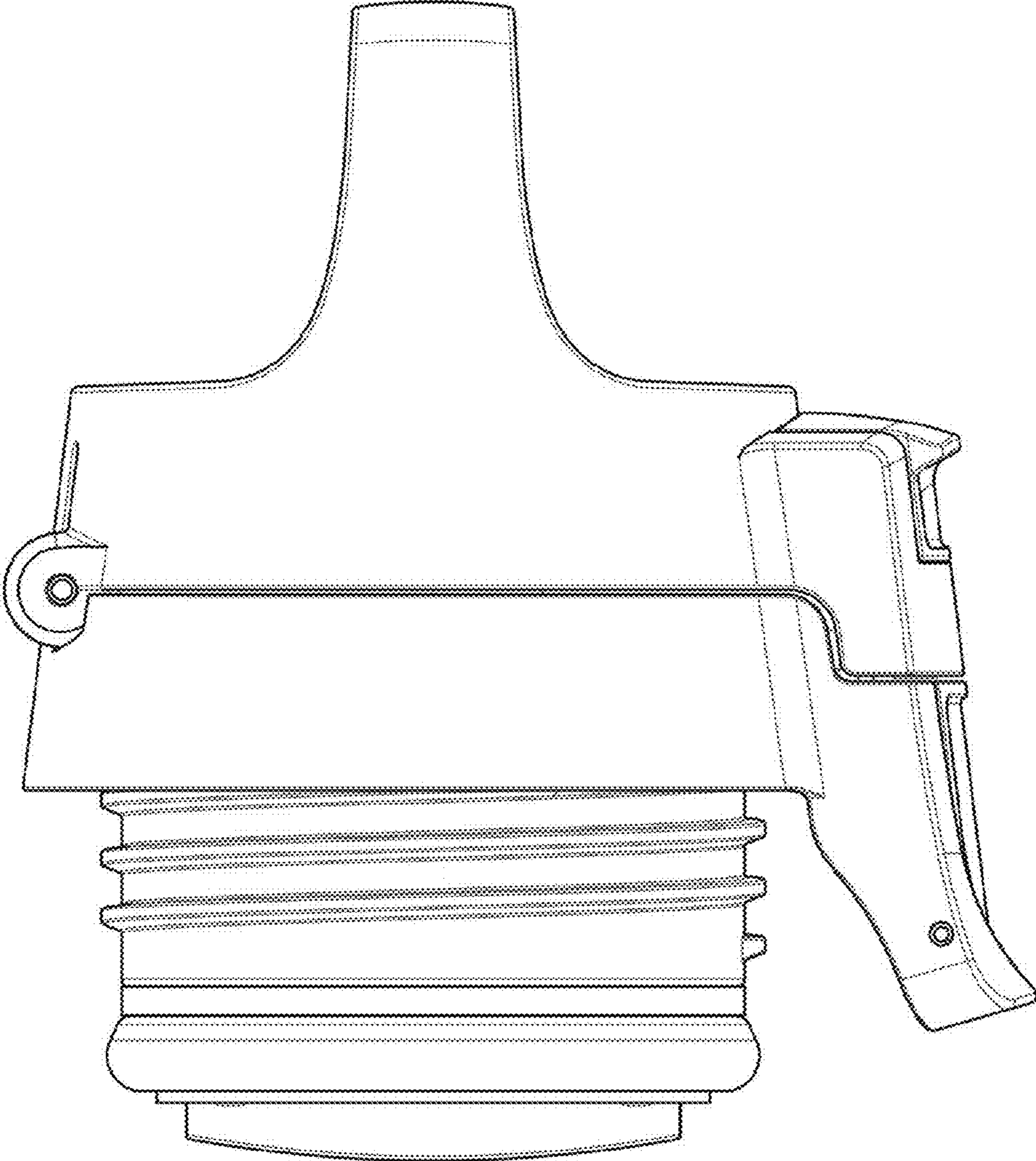


FIG. 4

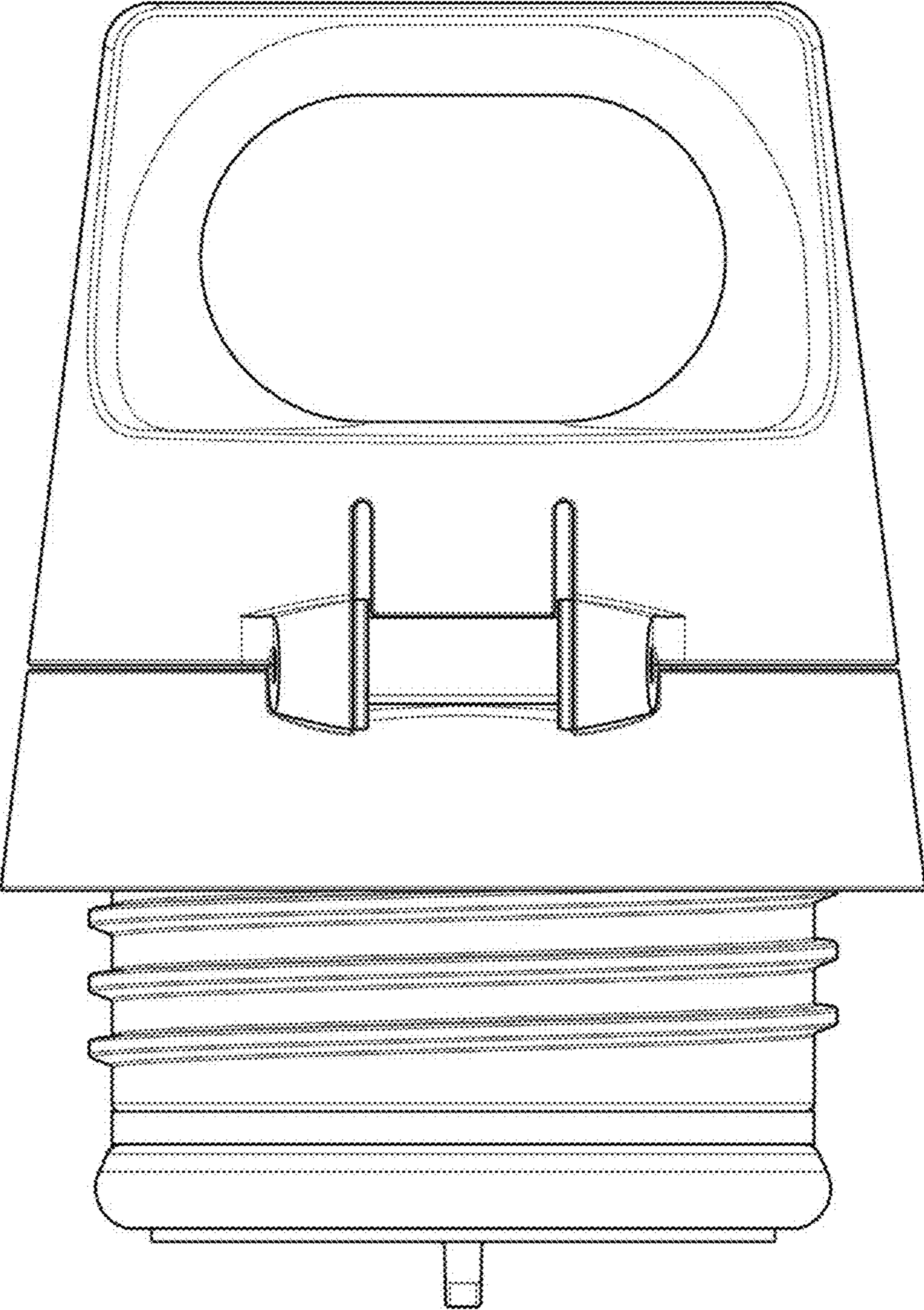


FIG. 5

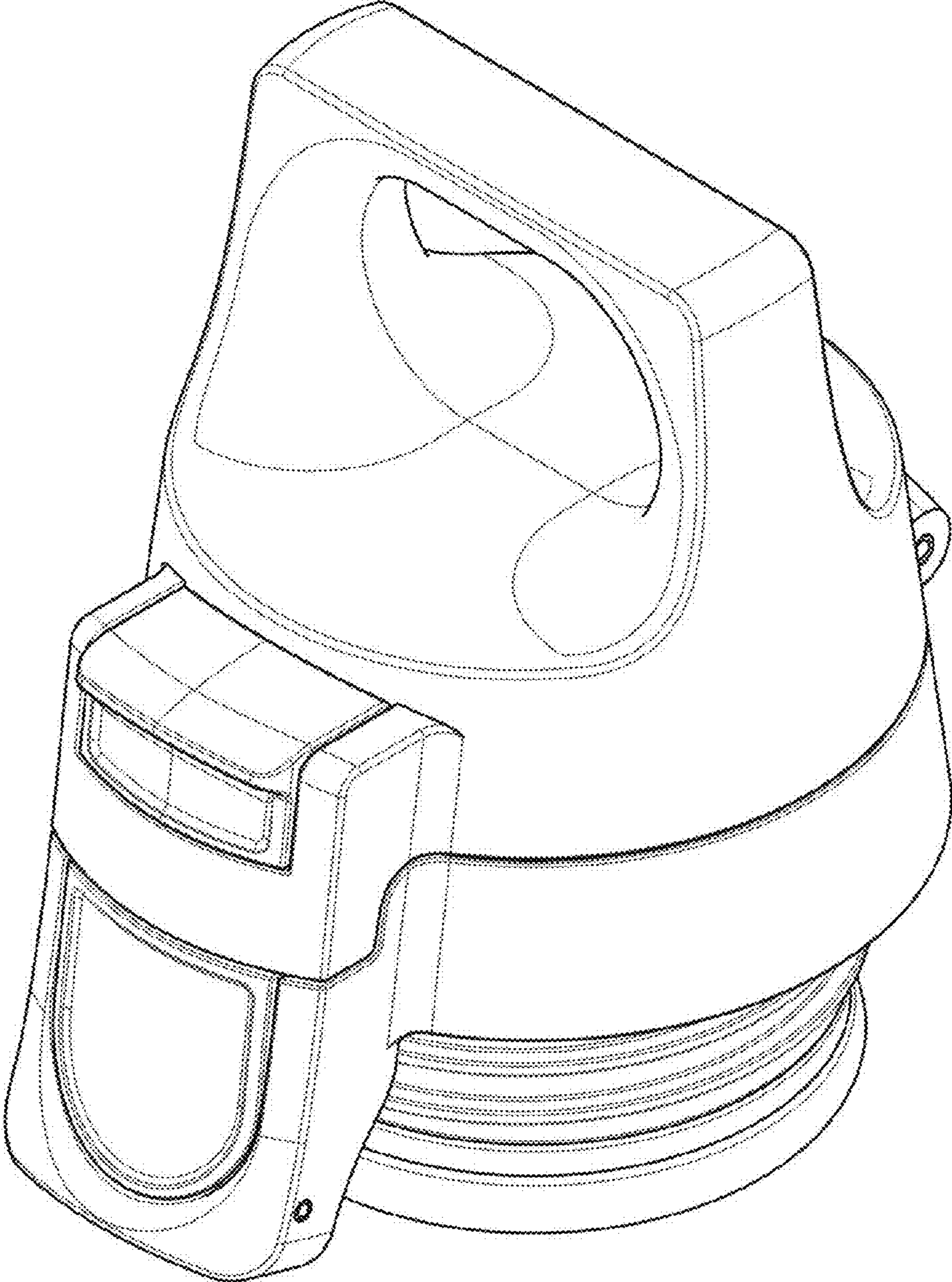


FIG. 6

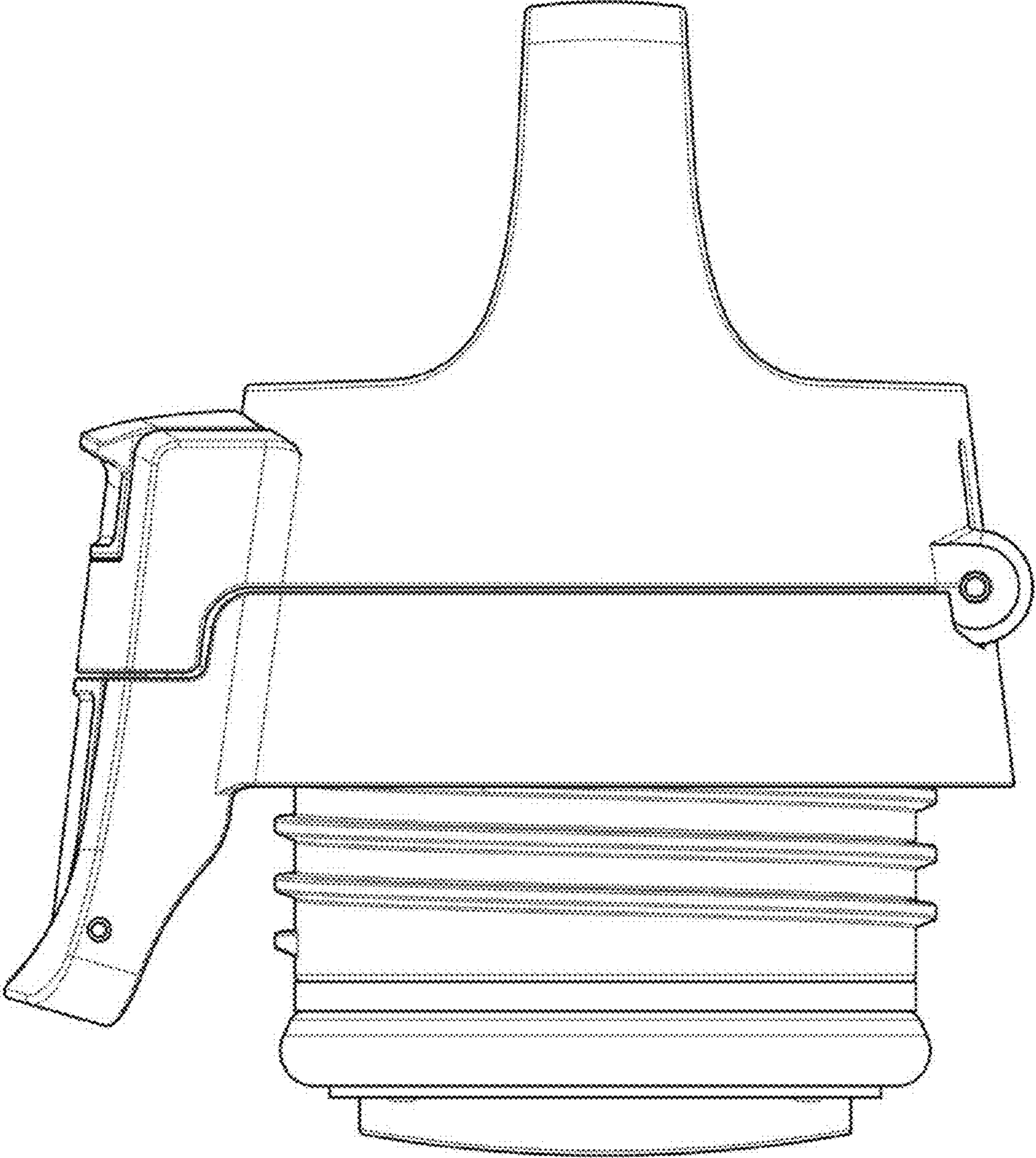


FIG. 7

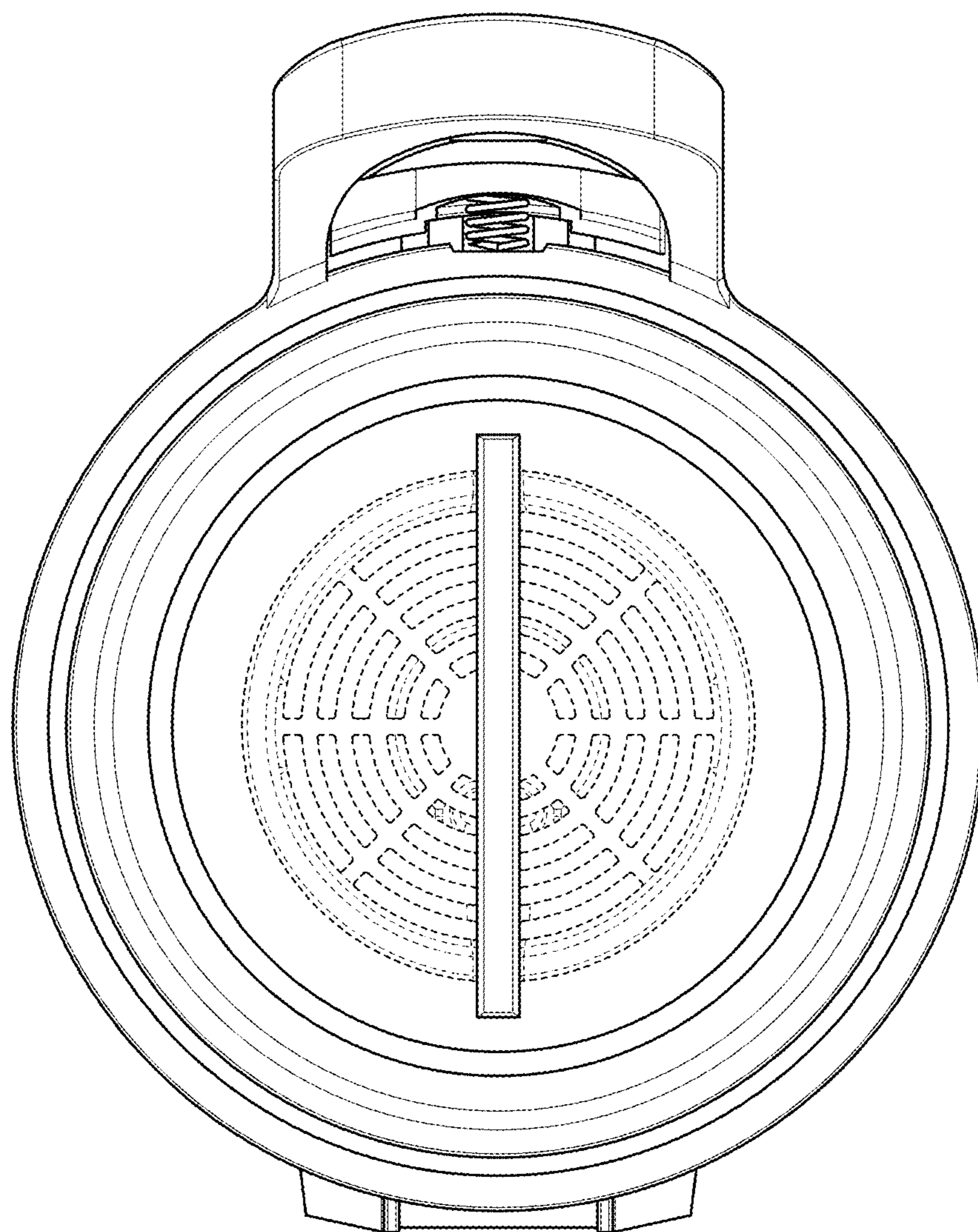




FIG. 8

