



US00D756700S

(12) **United States Design Patent**
Warman et al.

(10) **Patent No.:** **US D756,700 S**

(45) **Date of Patent:** **** May 24, 2016**

(54) **MANUAL COFFEE GRINDER**

(56) **References Cited**

(71) Applicants: **Brandon David Warman**, Rockwall, TX (US); **Daniel Kristophe Vitiello**, Rockwall, TX (US)

U.S. PATENT DOCUMENTS

(72) Inventors: **Brandon David Warman**, Rockwall, TX (US); **Daniel Kristophe Vitiello**, Rockwall, TX (US)

D190,060	S	*	4/1961	Gardner	D17/22
3,235,130	A	*	2/1966	Waither	A47G 19/24 222/142.9
D259,089	S	*	5/1981	Cowan	D7/679
D397,919	S	*	9/1998	Chiu	D7/679
D455,324	S	*	4/2002	Wright	D7/679
D522,318	S	*	6/2006	McGuyer	D7/590
D545,149	S	*	6/2007	Marshall	D7/679
D553,308	S	*	10/2007	Klein	D30/199
D609,535	S	*	2/2010	Kavanaugh	D7/679
D613,548	S	*	4/2010	Day	D7/378
D616,261	S	*	5/2010	Lundstrom	D7/679
D616,262	S	*	5/2010	Lundstrom	D7/679
D700,007	S	*	2/2014	Braune	D7/373

(**) Term: **14 Years**

(21) Appl. No.: **29/520,397**

(22) Filed: **Mar. 13, 2015**

* cited by examiner

(51) **LOC (10) Cl.** **31-00**

Primary Examiner — Ricky Pham

(52) **U.S. Cl.**
USPC **D7/373**

(57) **CLAIM**

(58) **Field of Classification Search**
USPC D7/376–386, 412–413, 590, 602, 629,
D7/665–666, 669, 679, 693–694; D9/538;
D30/199

The new, original, and ornamental design for a manual coffee grinder, as shown and described.

CPC A21C 1/02; A21C 1/04; A23N 1/00;
A23N 1/02; A47G 19/24; A47J 43/04; A47J
43/25; A47J 43/27; A47J 43/042; A47J
43/044; A47J 43/046; A47J 43/075; A47J
43/0722; A47J 43/0727; B01F 3/00; B01F
3/0807; B01F 3/0853; B01F 13/0059; B01F
13/0064; B02C 1/08; B02C 2/04; B02C 4/42;
B02C 4/142; B02C 4/143; B02C 4/423;
B02C 13/1835; B28C 5/10; B28C 5/12;
B28C 5/14; B28C 5/16

DESCRIPTION

FIG. 1 is a front view of a manual coffee grinder showing my new design;
FIG. 2 is a right side view thereof;
FIG. 3 is a rear view thereof;
FIG. 4 is a left side view thereof;
FIG. 5 is a top view thereof; and
FIG. 6 is a bottom view thereof; and
FIG. 7 is an upper right perspective view thereof; and,
FIG. 8 is an upper left perspective view thereof.

See application file for complete search history.

1 Claim, 8 Drawing Sheets

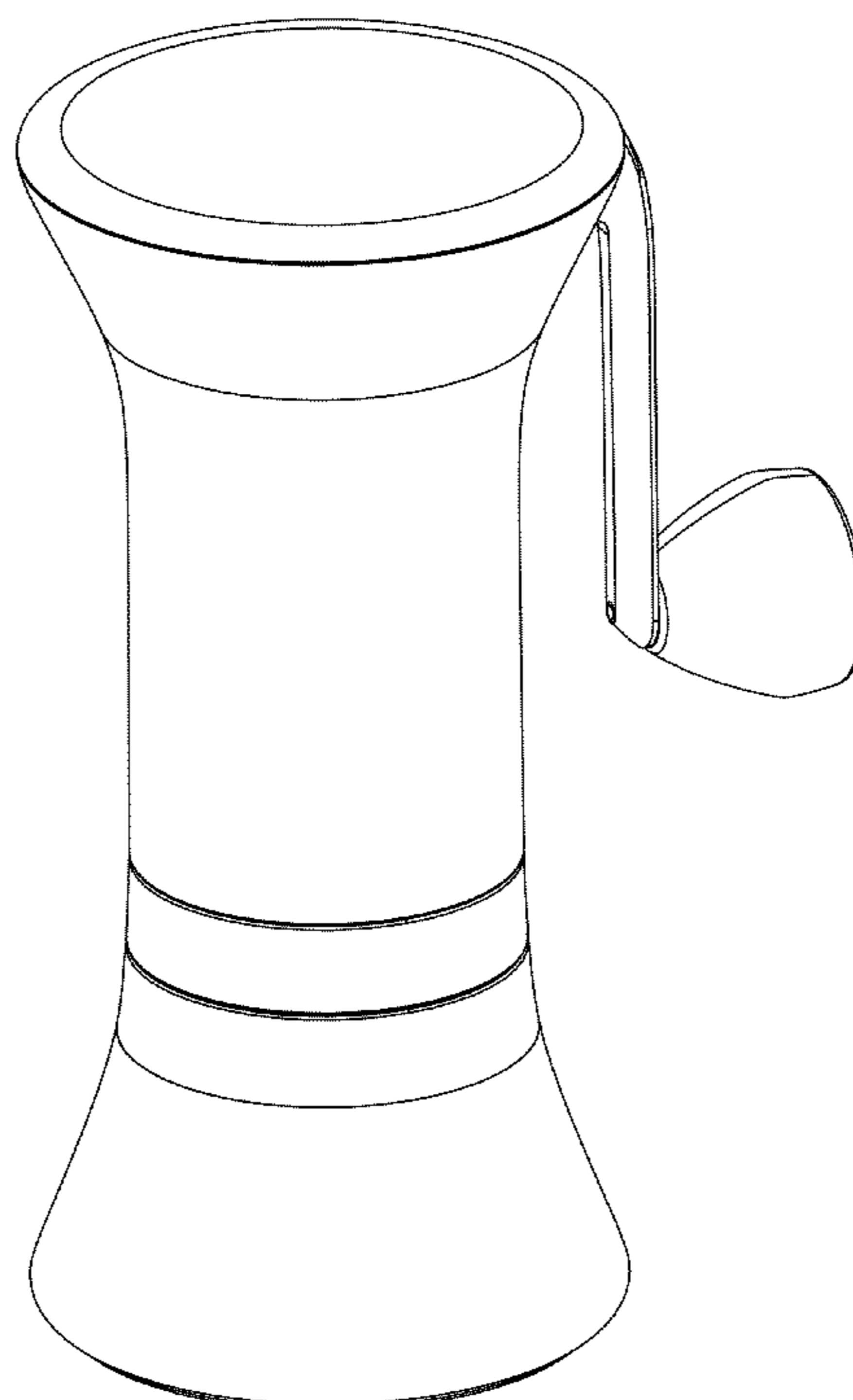


FIG. 1

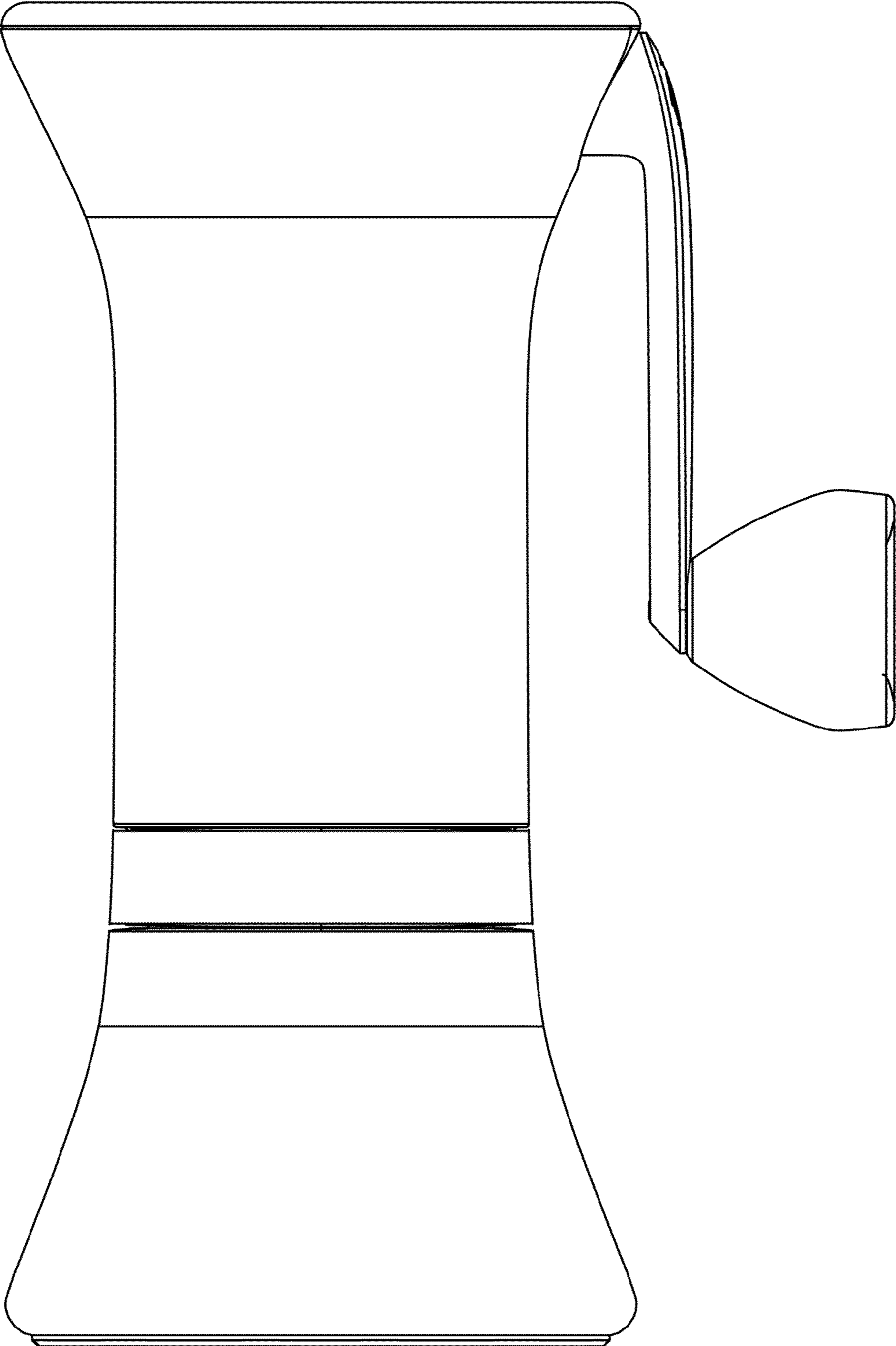


FIG. 2

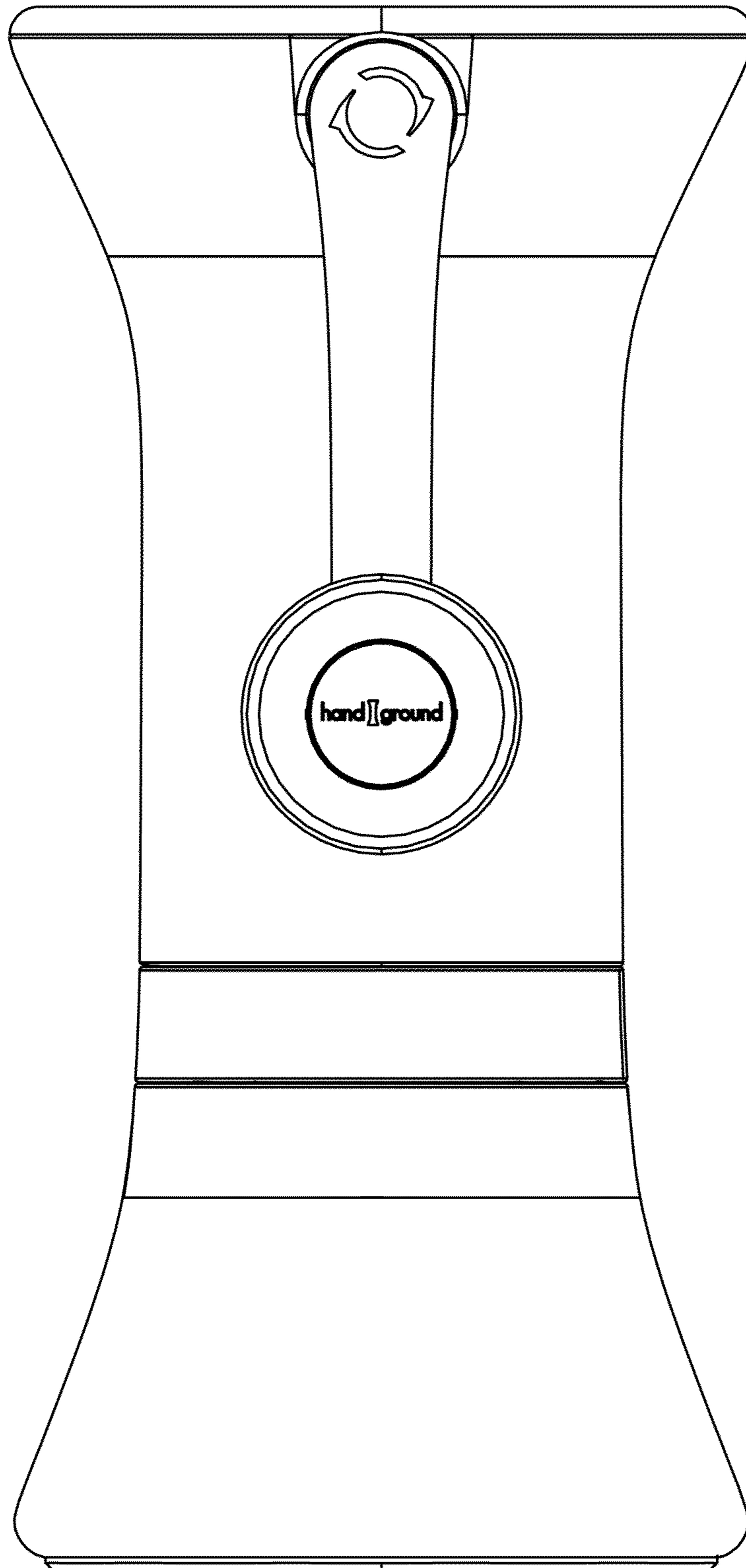


FIG. 3

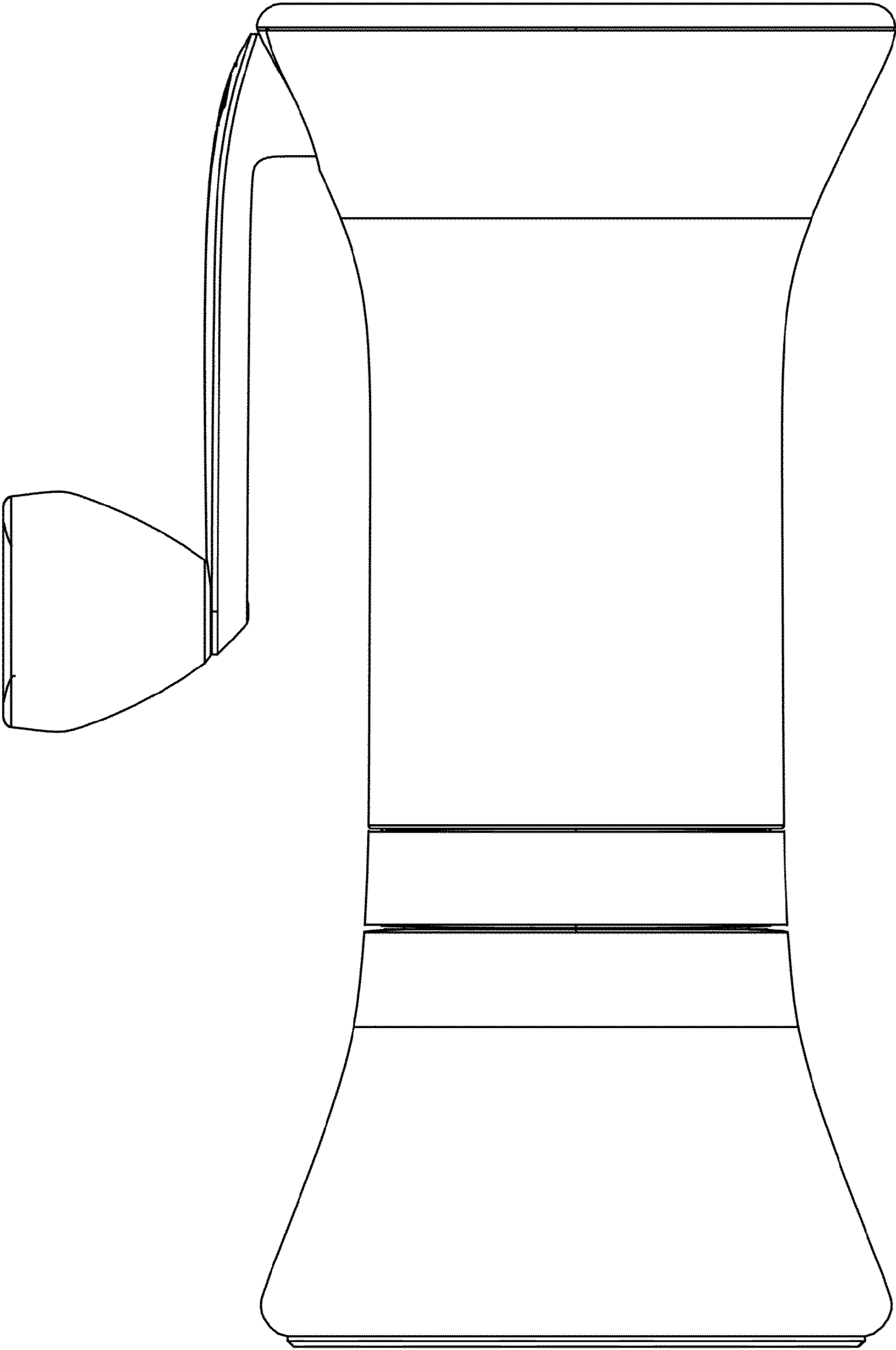


FIG. 4

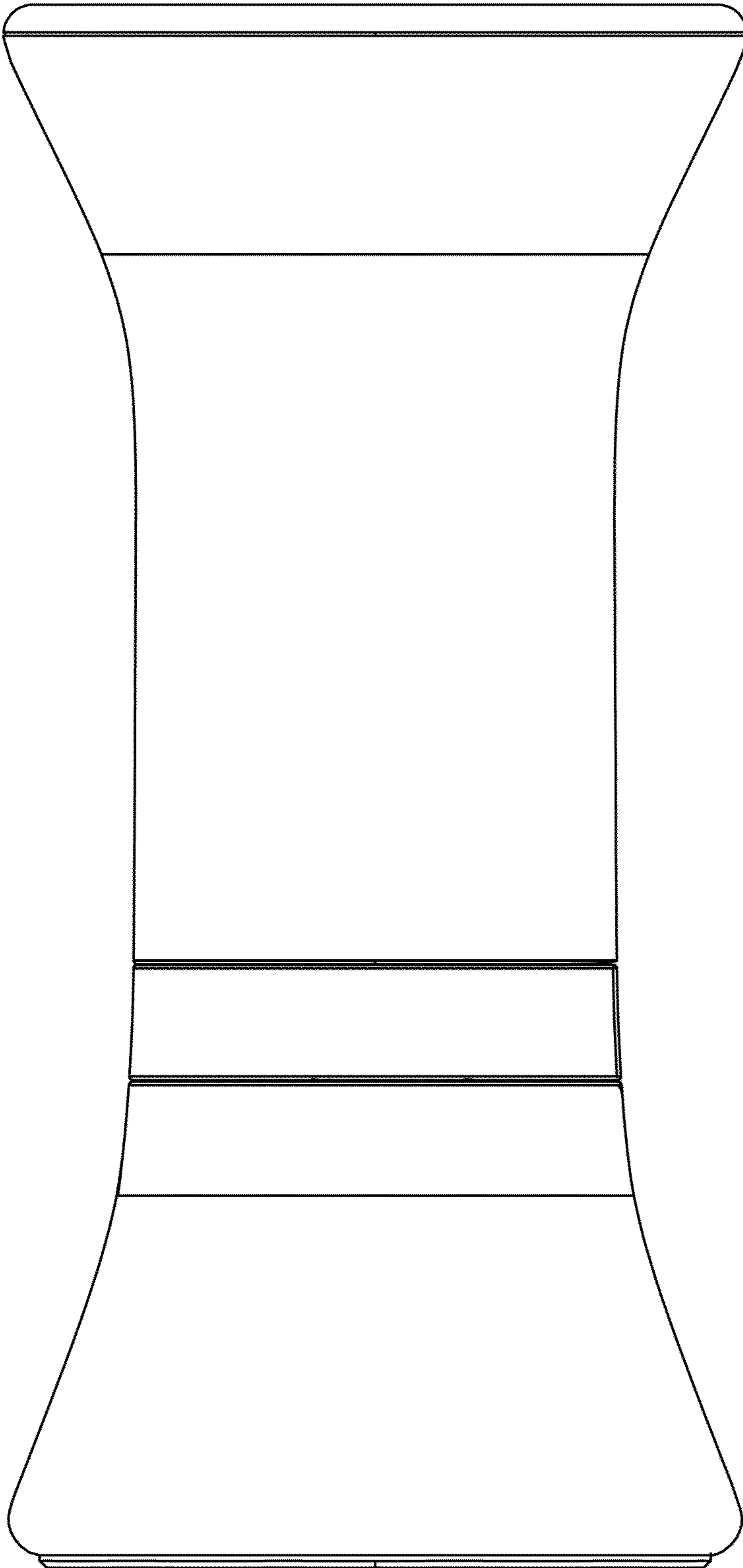


FIG. 5

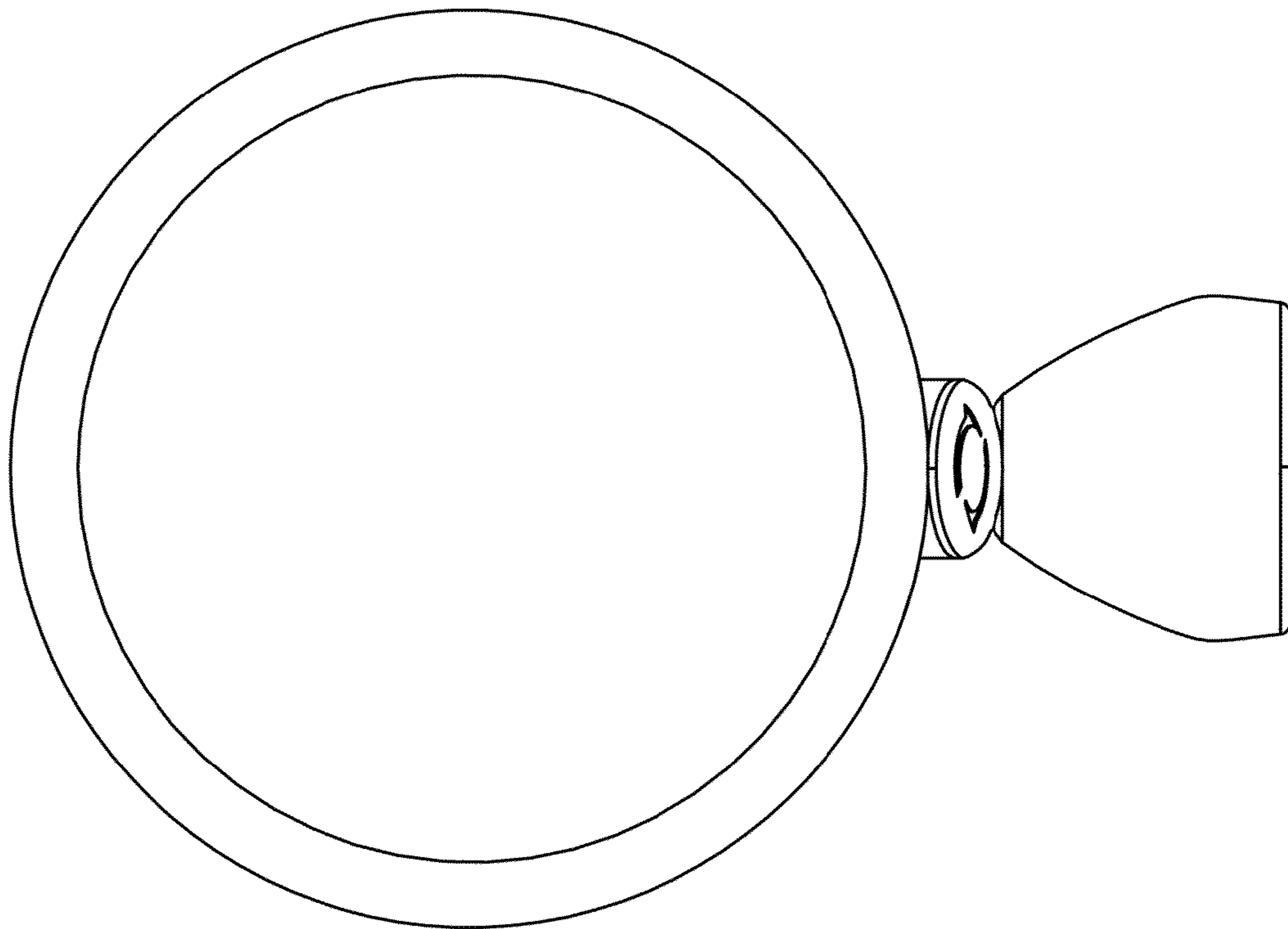


FIG. 6

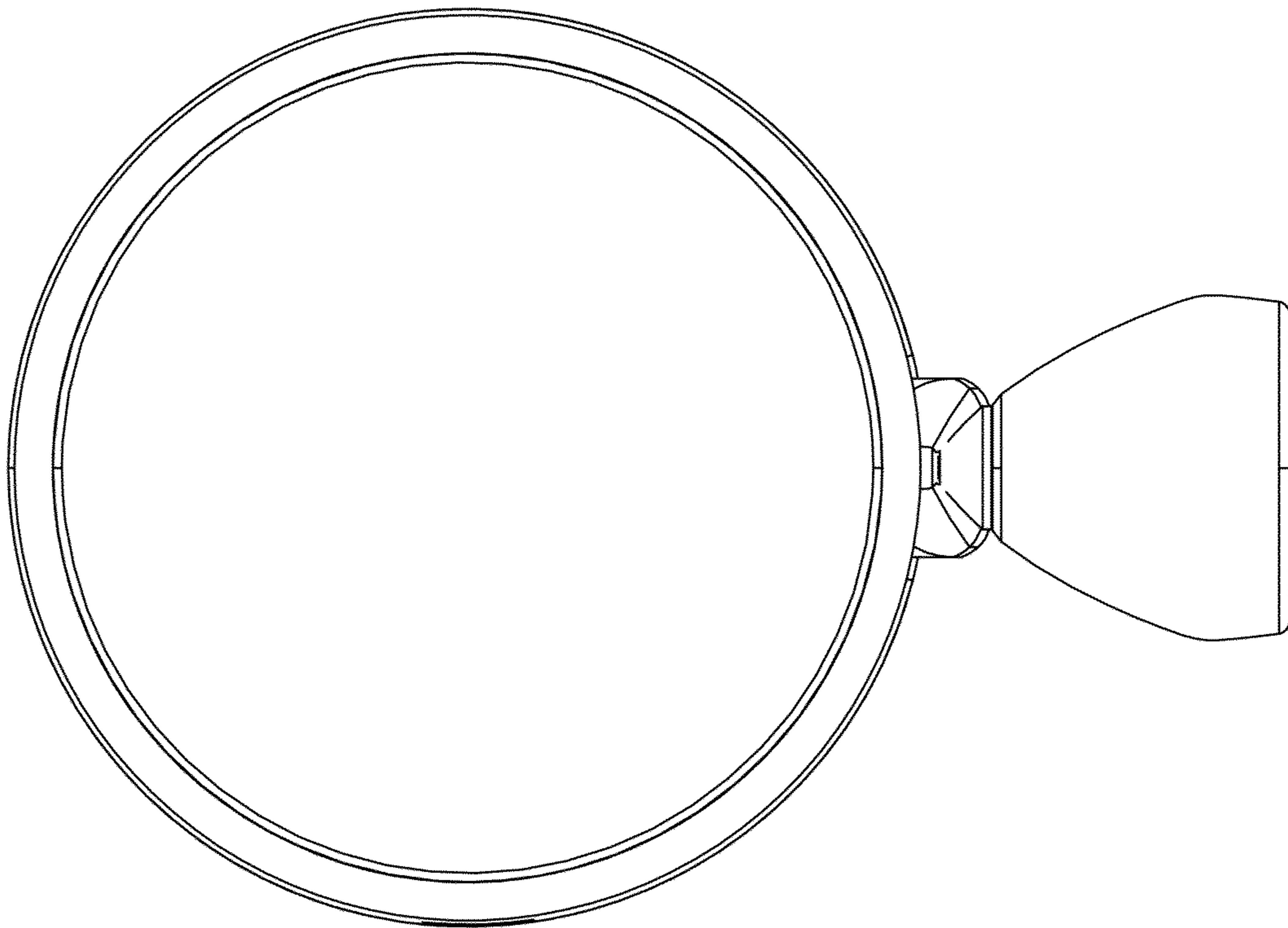


FIG. 7

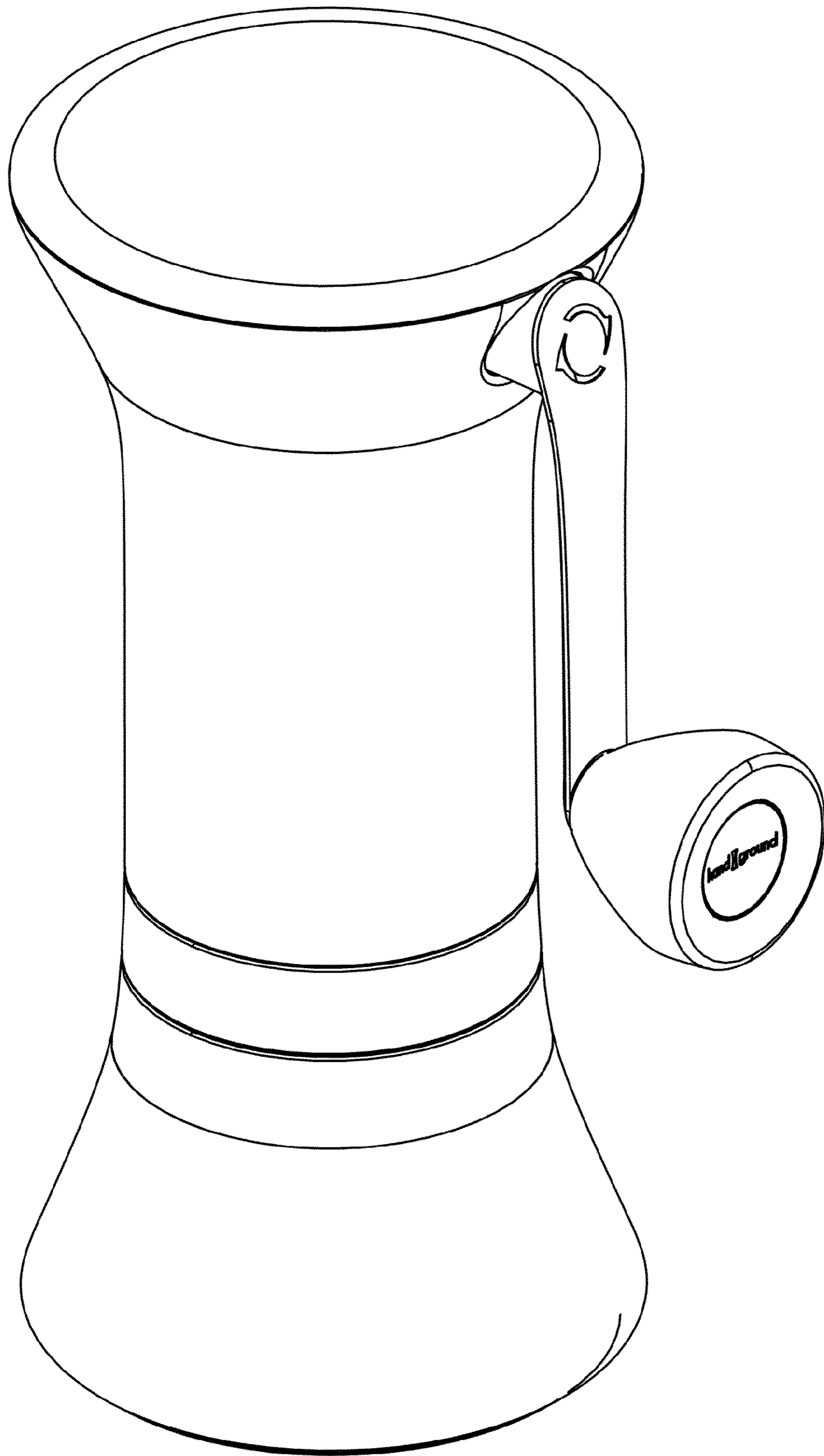


FIG. 8

