



US00D756699S

(12) **United States Design Patent**  
**Kim**

(10) **Patent No.:** **US D756,699 S**  
(45) **Date of Patent:** **\*\* May 24, 2016**

- (54) **INDOOR BBQ GRILLER**
- (71) Applicant: **Sang Joon Kim**, Chicago, IL (US)
- (72) Inventor: **Sang Joon Kim**, Chicago, IL (US)
- (\*\*) Term: **14 Years**
- (21) Appl. No.: **29/504,238**
- (22) Filed: **Oct. 3, 2014**
- (51) **LOC (10) Cl.** ..... **07-02**
- (52) **U.S. Cl.**  
USPC ..... **D7/359**; D7/354; D7/361
- (58) **Field of Classification Search**  
USPC ..... D7/323, 354–363, 391, 393–396, 409  
CPC ..... A47G 19/12; A47J 27/00; A47J 27/002;  
A47J 27/08; A47J 27/21; A47J 27/58; A47J  
36/025; A47J 36/06; A47J 36/12; A47J 37/00;  
A47J 37/0676; A47J 37/10; A47J 37/101;  
A47J 37/103; A47J 37/12; A47J 37/1204;  
A47J 45/061; A47J 45/071; A47J 45/08;  
H05B 6/12  
See application file for complete search history.

(56) **References Cited**

**U.S. PATENT DOCUMENTS**

1,591,291	A *	7/1926	Detwiler	.....	A47J 37/0676	99/446
D154,967	S *	8/1949	Watkins	.....	D7/359	
D166,780	S *	5/1952	Watkins	.....	D7/359	
D197,663	S *	3/1964	O'Reilly	.....	D7/359	
3,457,852	A *	7/1969	Kwoh	.....	A47J 37/10	220/23.86

D227,028	S *	5/1973	Behm	.....	99/425
D268,981	S *	5/1983	Monson	.....	426/243
D279,071	S *	6/1985	Christea	.....	D7/359
D297,604	S *	9/1988	Hagberg	.....	D7/359
D373,285	S *	9/1996	Coroama	.....	D7/359
D380,645	S *	7/1997	Perlini	.....	D7/359
6,298,775	B1 *	10/2001	Chen	.....	A47J 45/061
					16/111.1
D470,711	S *	2/2003	Kloppsteck	.....	D7/359

\* cited by examiner

*Primary Examiner* — Ricky Pham  
(74) *Attorney, Agent, or Firm* — Sang Ki Lee

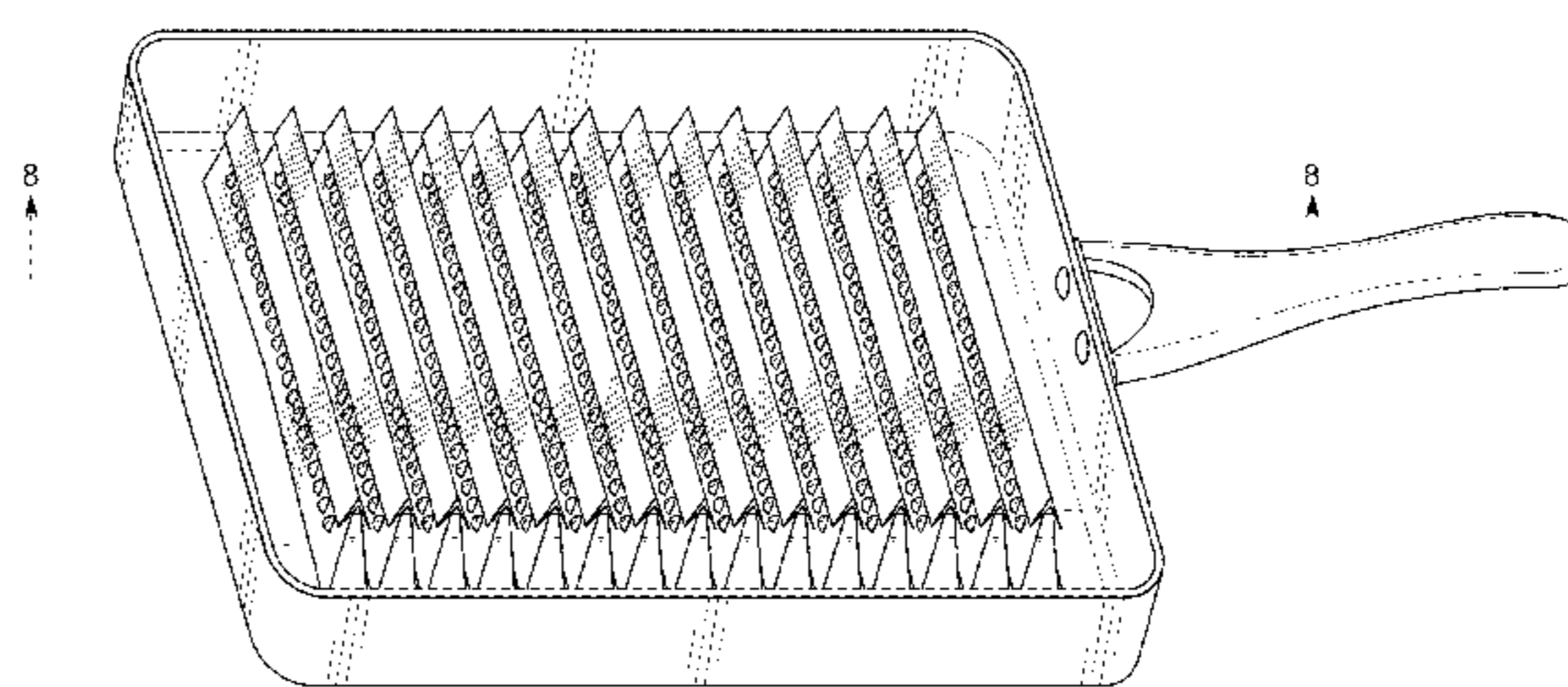
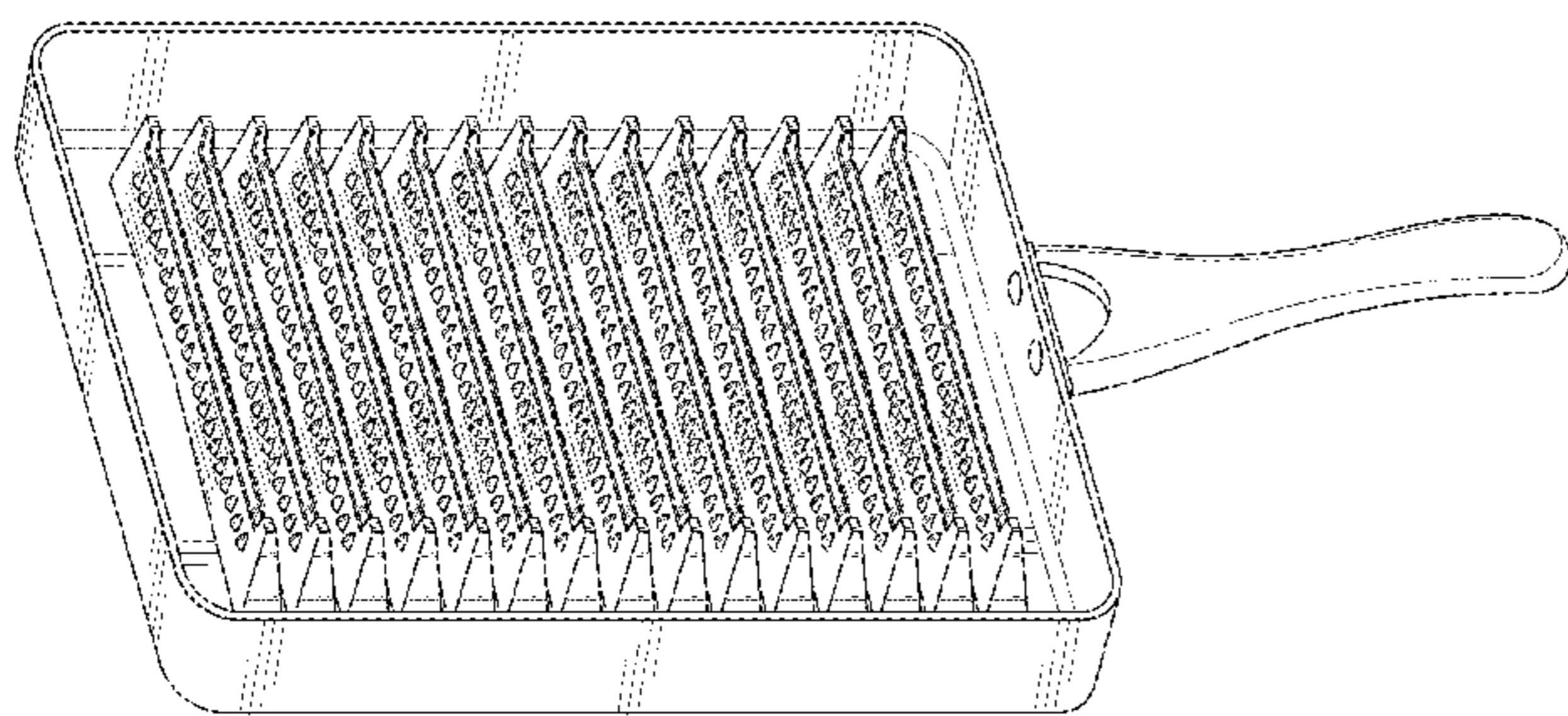
(57) **CLAIM**

The ornamental design for an indoor bbq griller, as shown and described.

**DESCRIPTION**

FIG. 1 is a perspective view of the indoor bbq griller showing my new design;  
 FIG. 2 is a top plan view thereof;  
 FIG. 3 is a bottom plan view thereof;  
 FIG. 4 is a left elevation view thereof;  
 FIG. 5 is a right elevation view thereof;  
 FIG. 6 is a front elevation view thereof;  
 FIG. 7 is a back elevation view thereof;  
 FIG. 8 is a cross-sectional view taken through line 8-8 of FIG. 10 thereof;  
 FIG. 9 is an enlarged detail sectional view of FIG. 8 thereof;  
 FIG. 10 is a perspective view of the indoor bbq griller with the cover; and,  
 FIG. 11 is an enlarged sectional detail view of the grill rivets thereof.

**1 Claim, 8 Drawing Sheets**



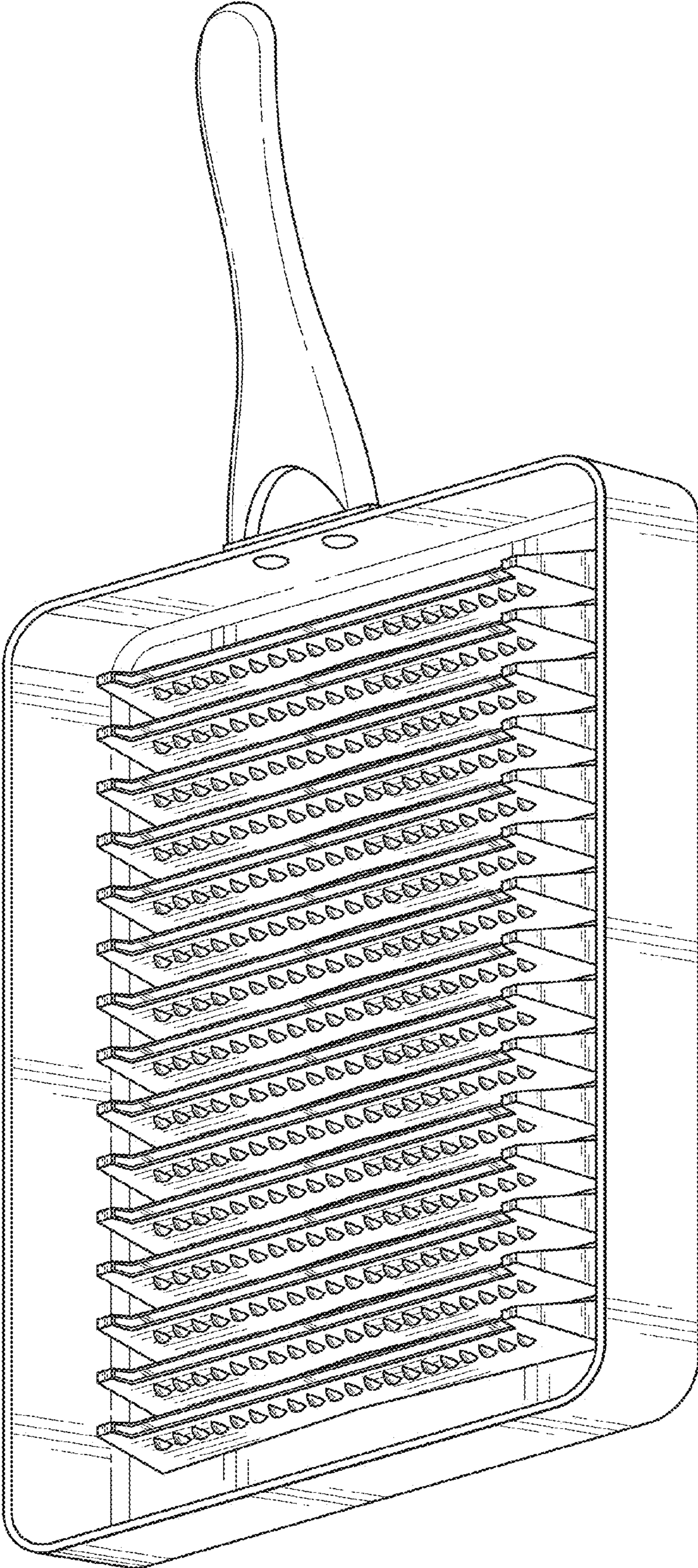


FIG. 1

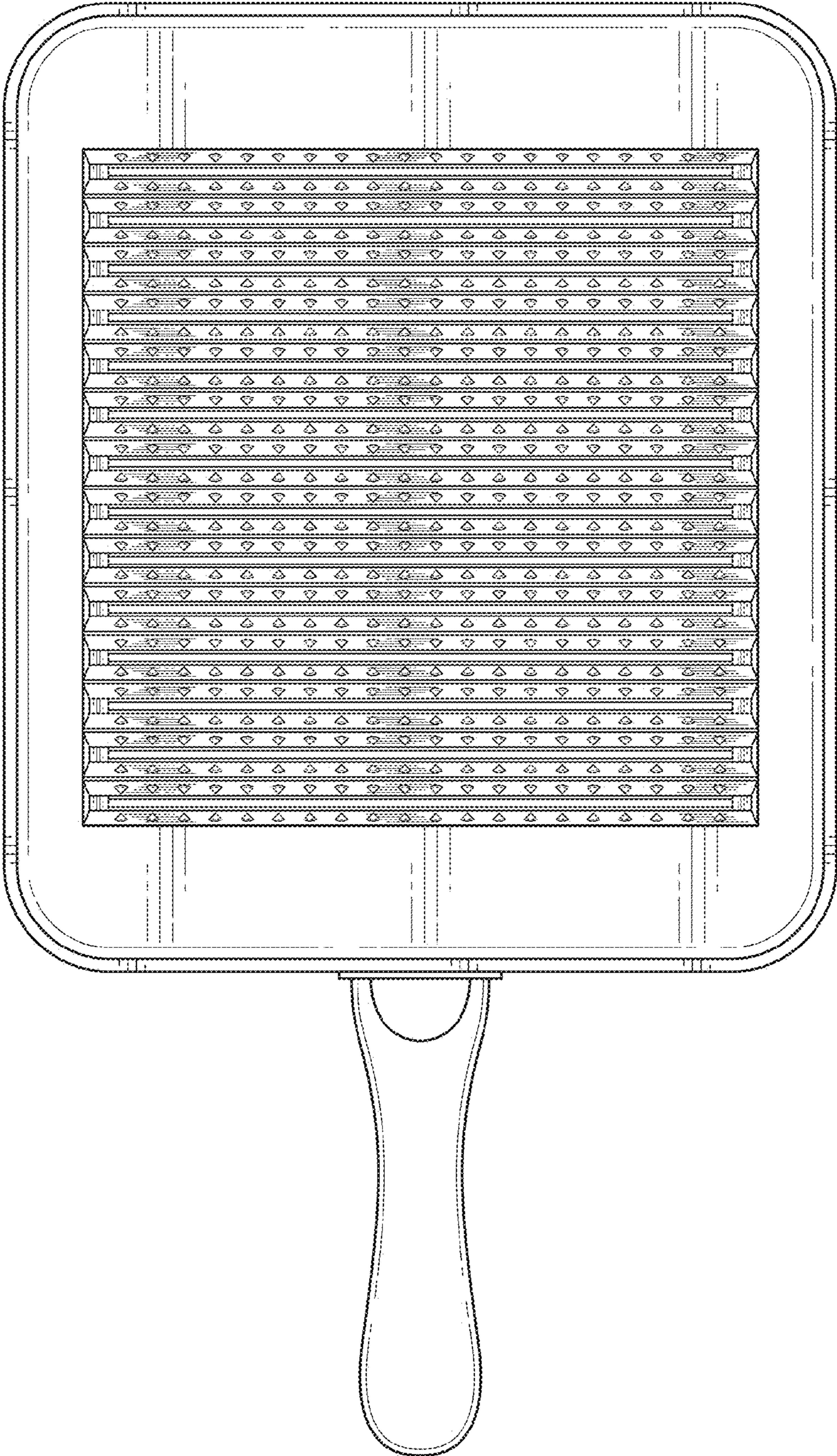


FIG. 2

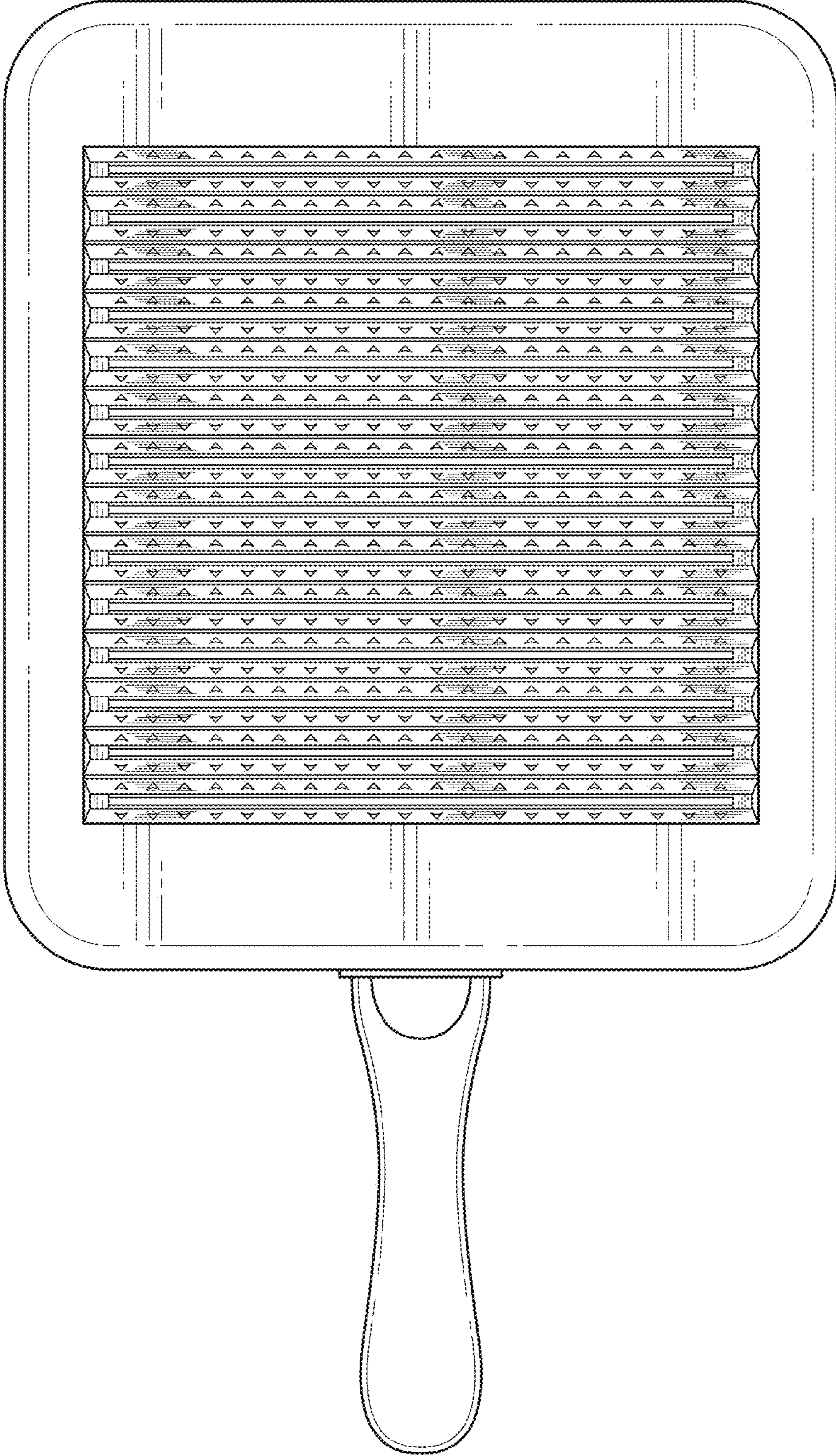


FIG. 3

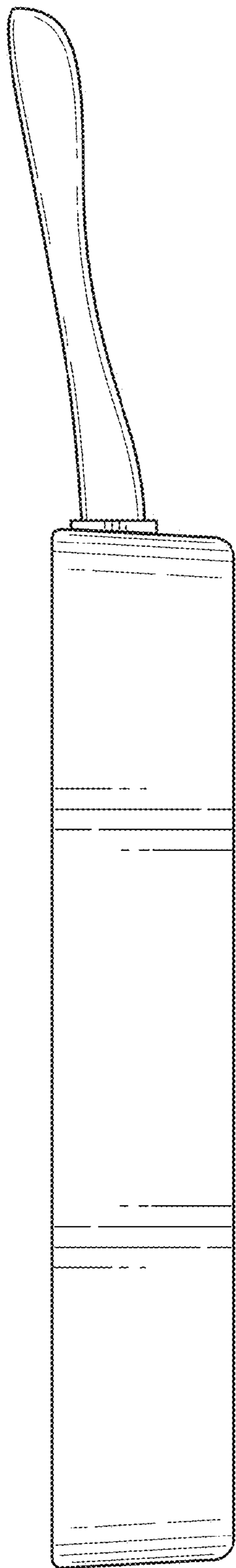


FIG. 4

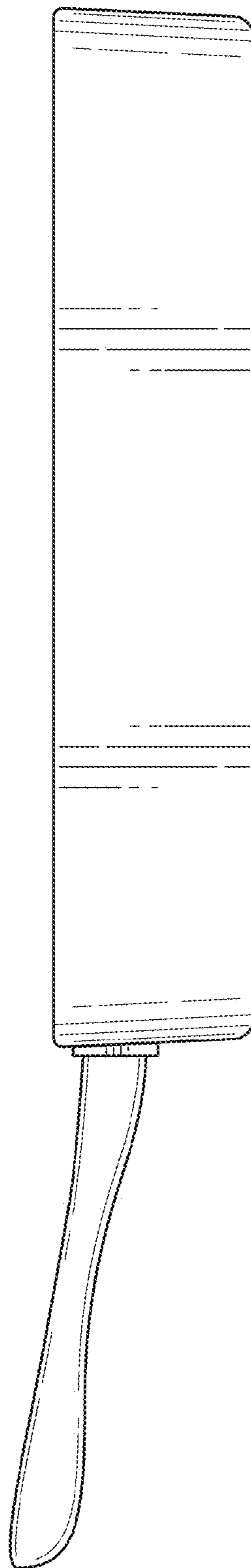


FIG. 5

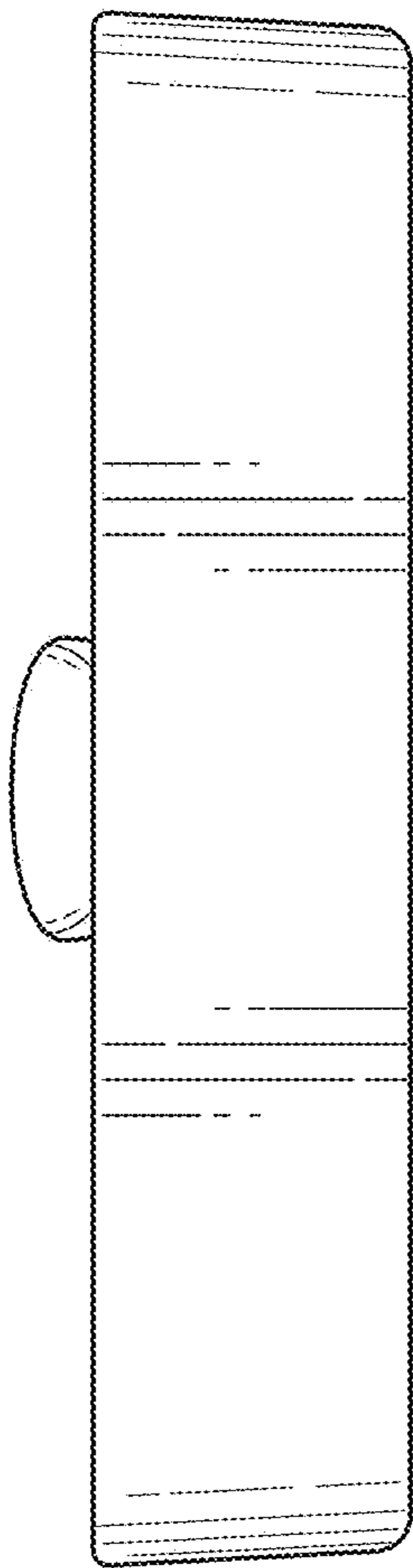


FIG. 6

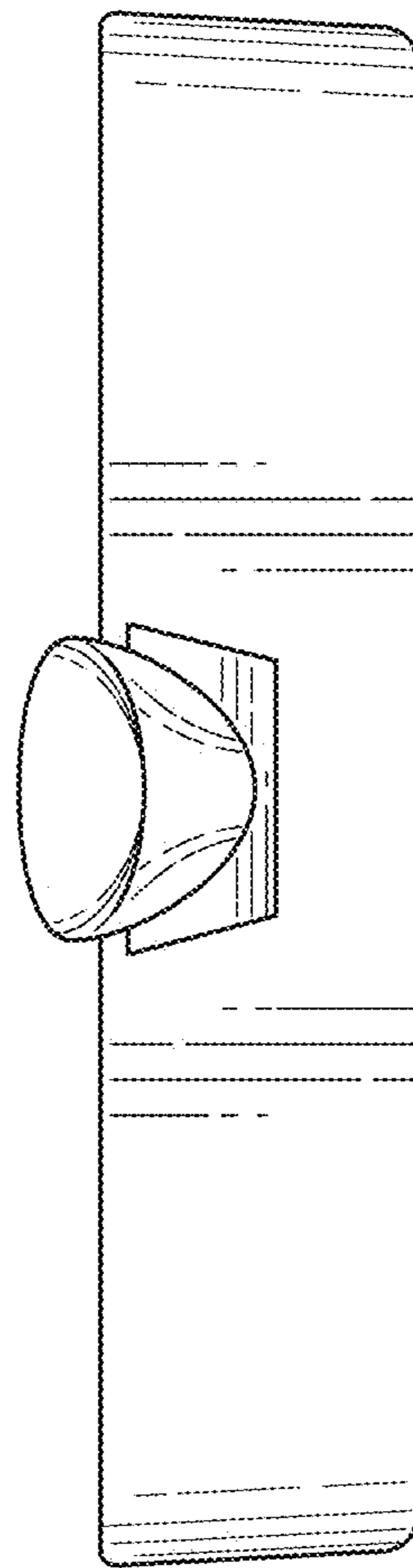


FIG. 7

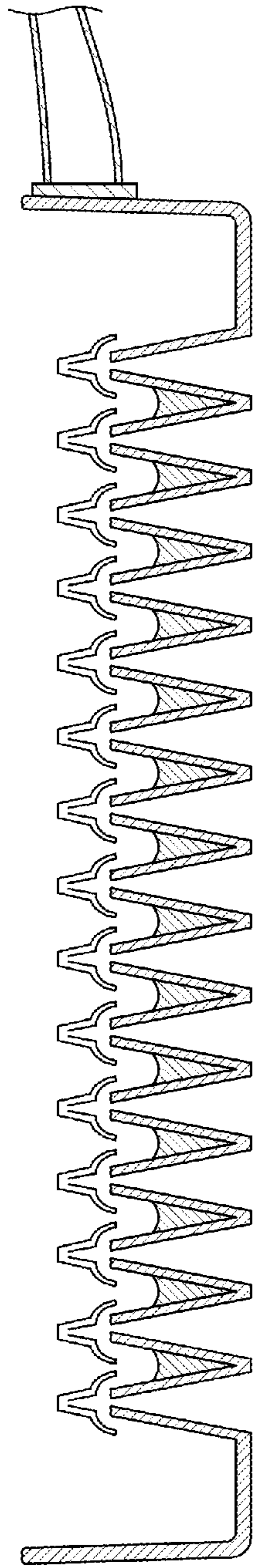


FIG. 8

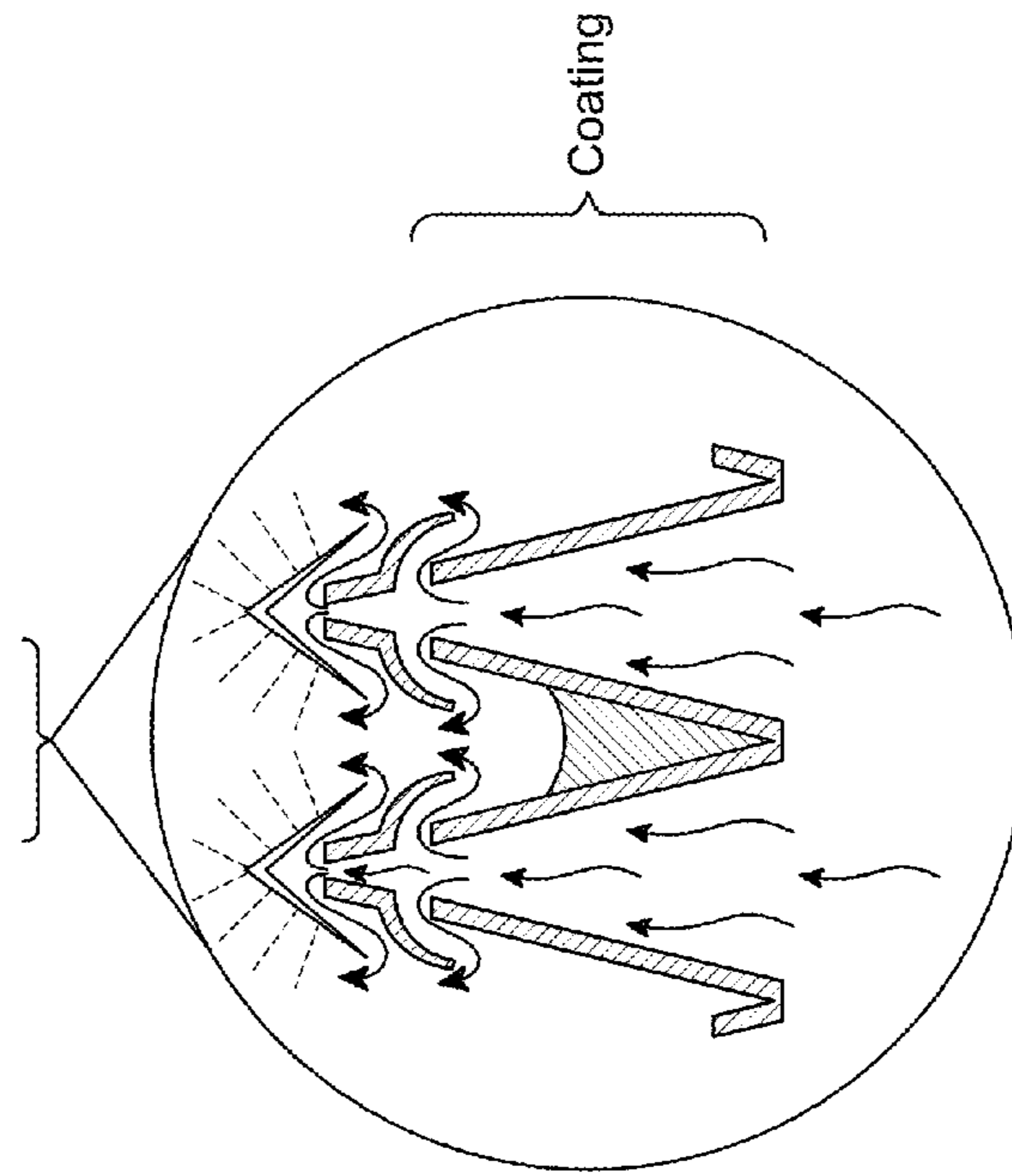


FIG. 9

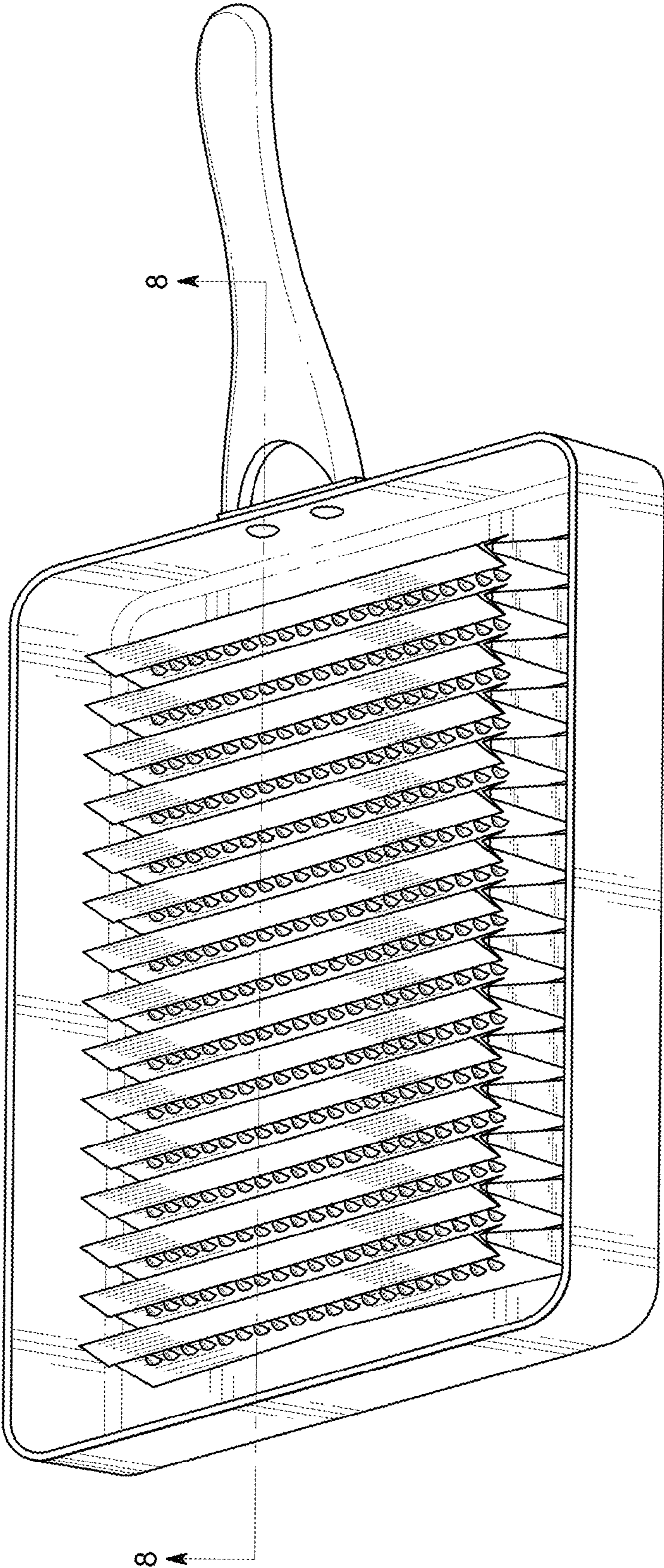


FIG. 10



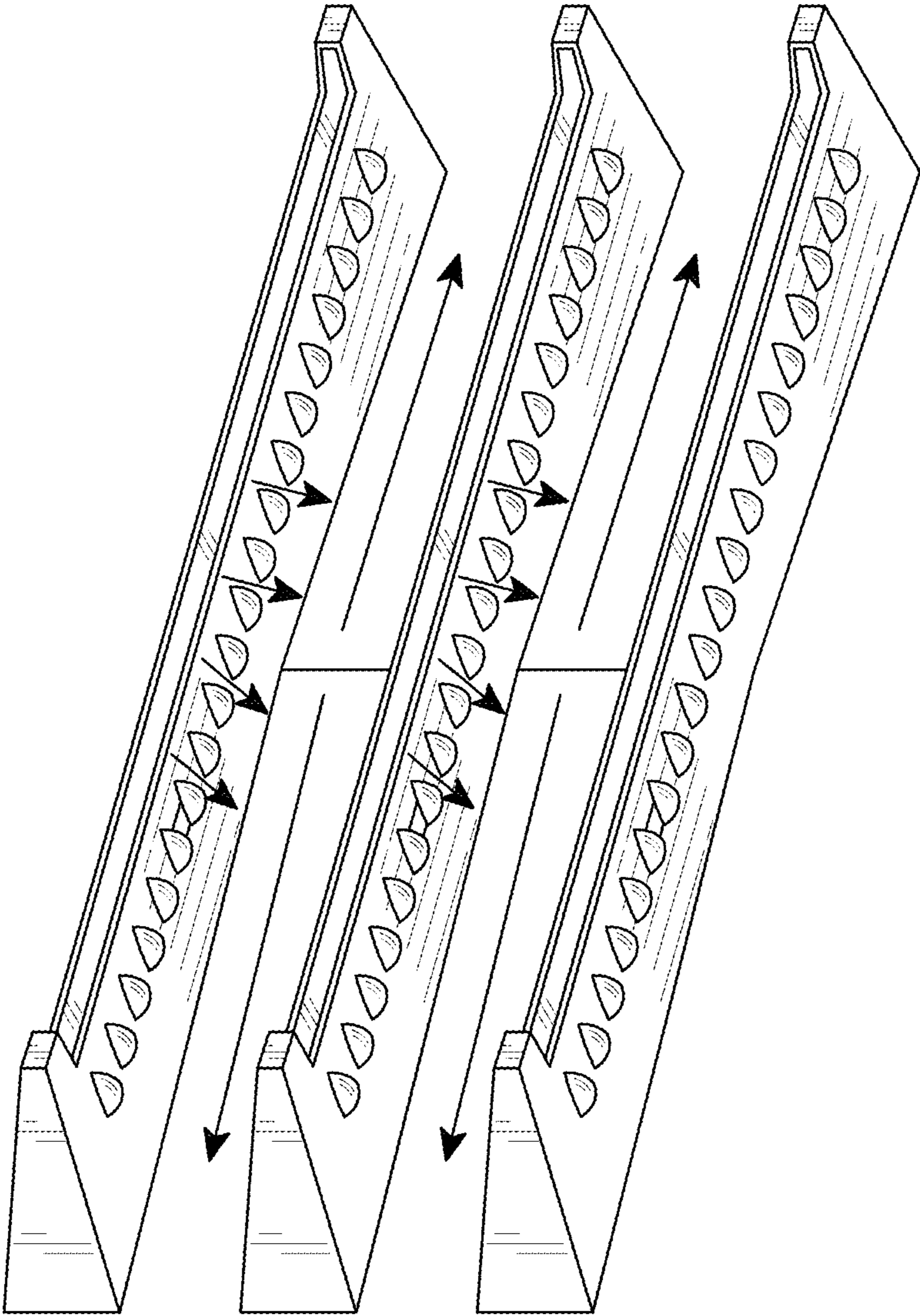


FIG. 11