



US00D756695S

(12) **United States Design Patent**
Hurford

(10) **Patent No.:** **US D756,695 S**
(45) **Date of Patent:** **** May 24, 2016**

(54) **CHAIR**

(56) **References Cited**

(71) Applicant: **OKAMURA CORPORATION**,
Yokohama-shi, Kanagawa (JP)
(72) Inventor: **Alexander Hurford**, Yokohama (JP)
(73) Assignee: **Okamura Corporation**, Kanagawa (JP)
(**) Term: **14 Years**
(21) Appl. No.: **29/521,915**

U.S. PATENT DOCUMENTS

D555,924 S *	11/2007	Igarashi	D6/366
D587,915 S *	3/2009	Igarashi	D6/366
D600,936 S *	9/2009	Koh	D6/376
D643,225 S *	8/2011	Hurford	D6/376
D653,045 S *	1/2012	Schaack	D6/366
D674,618 S *	1/2013	Petrick	D6/376
D680,770 S *	4/2013	Hori	D6/376
D686,832 S *	7/2013	Hori	D6/376
D686,833 S *	7/2013	Chan	D6/376
2009/0127914 A1 *	5/2009	Igarashi	A47C 7/40 297/452.46

(22) Filed: **Mar. 26, 2015**

* cited by examiner

(30) **Foreign Application Priority Data**

Sep. 29, 2014 (JP) 2014-021507

(51) **LOC (10) Cl.** **06-01**

(52) **U.S. Cl.**
USPC **D6/716.4**

(58) **Field of Classification Search**
USPC D6/334-336, 364, 365, 366, 374, 376,
D6/379, 380, 716, 716.1, 716.2, 716.3,
D6/716.4
CPC A47C 7/16; A47C 4/028; A47C 7/40;
A47C 7/022; A47C 7/18

See application file for complete search history.

Primary Examiner — Mimoso De
(74) *Attorney, Agent, or Firm* — Sughrue Mion, PLLC

(57) **CLAIM**
The ornamental design for a chair, as shown and described.

DESCRIPTION

FIG. 1 is a perspective view from the front side of a chair showing my design.
FIG. 2 is a perspective view from the rear side thereof.
FIG. 3 is a front elevation view thereof.
FIG. 4 is a rear elevation view thereof.
FIG. 5 is a right side elevation view thereof.
FIG. 6 is a left side elevation view thereof.
FIG. 7 is a top plan view thereof; and,
FIG. 8 is a bottom plan view thereof.
The broken lines shown in the drawings illustrate portions of the chair that form no part of the claimed design.

1 Claim, 8 Drawing Sheets

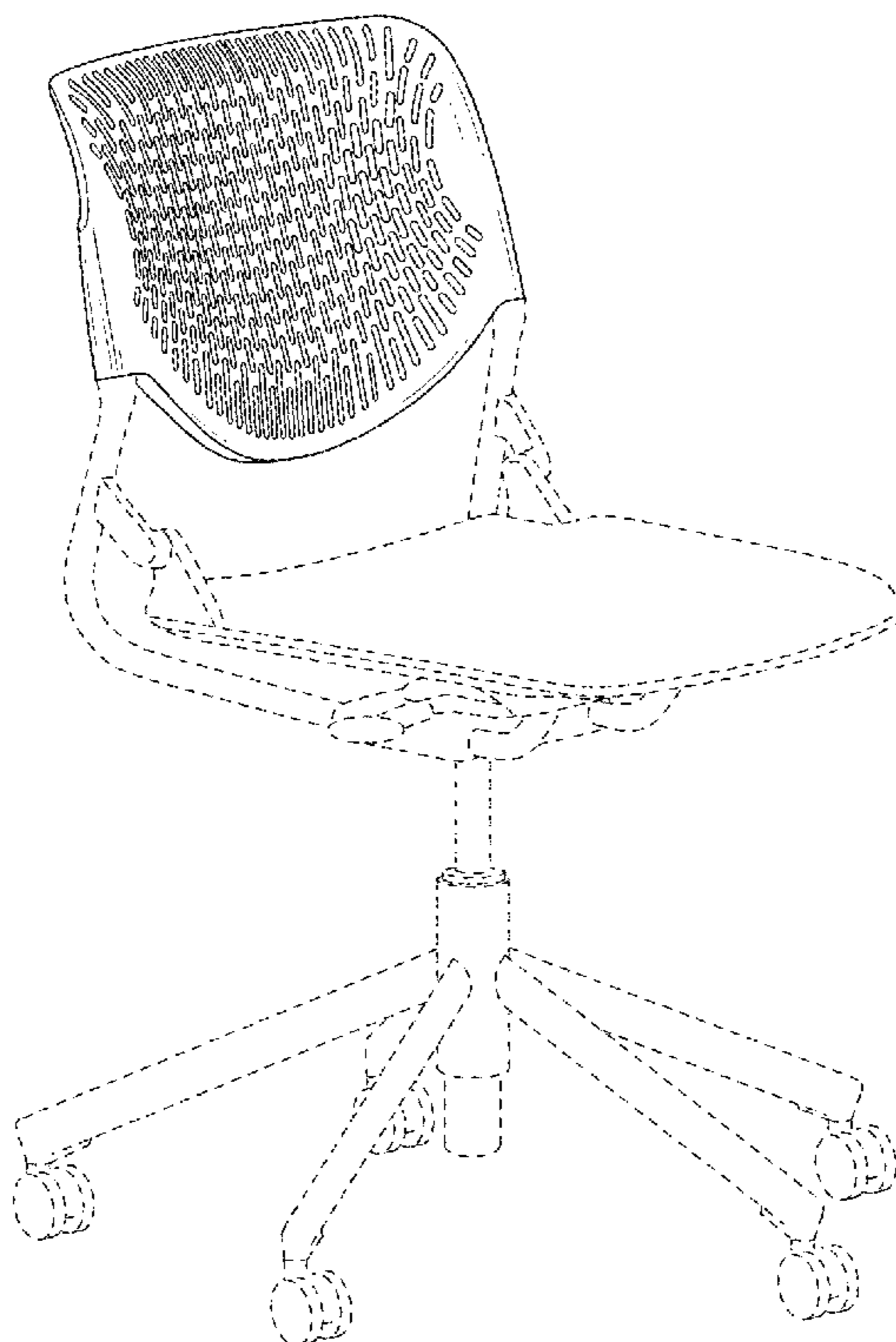


FIG. 1

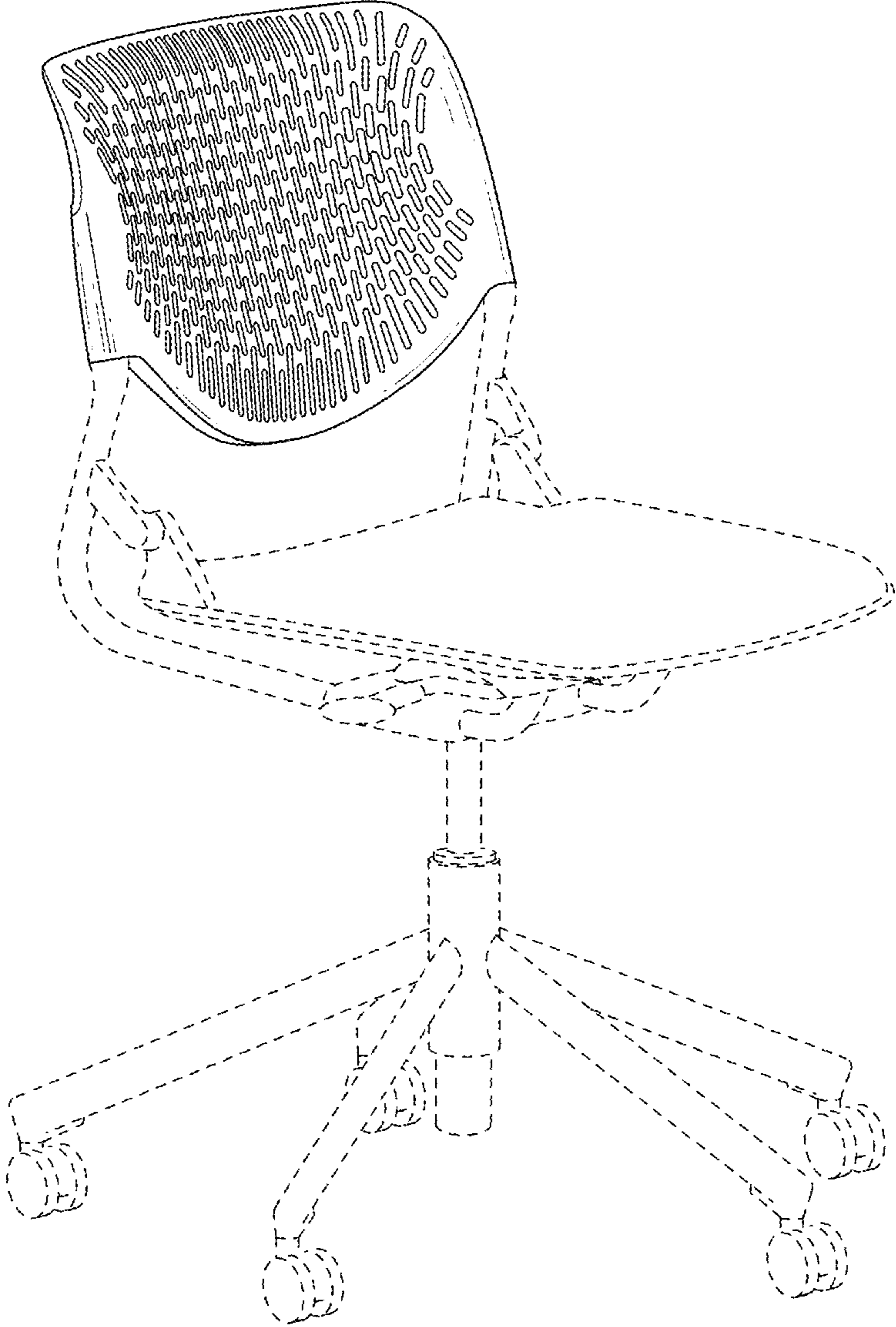


FIG. 2

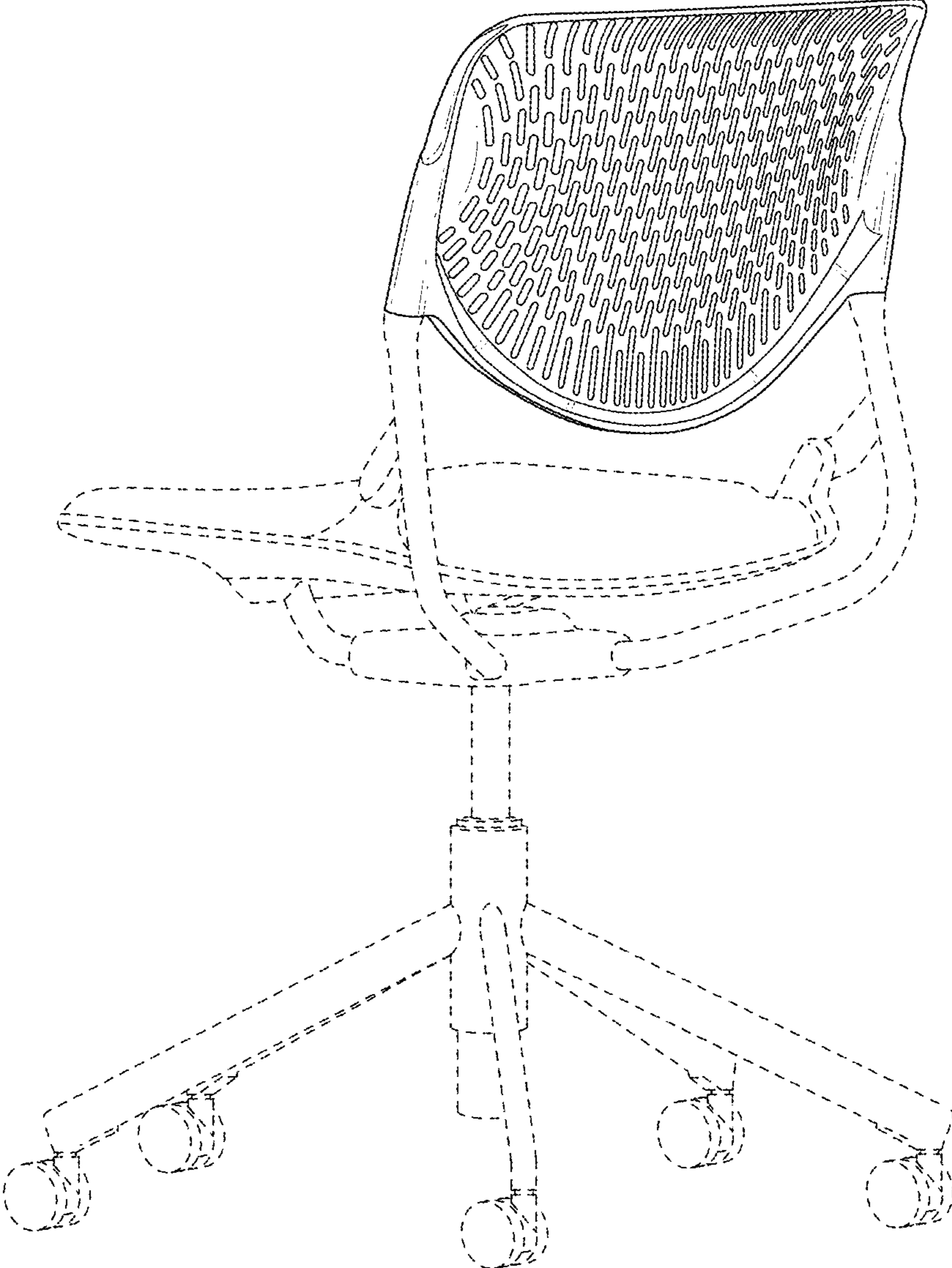


FIG. 3

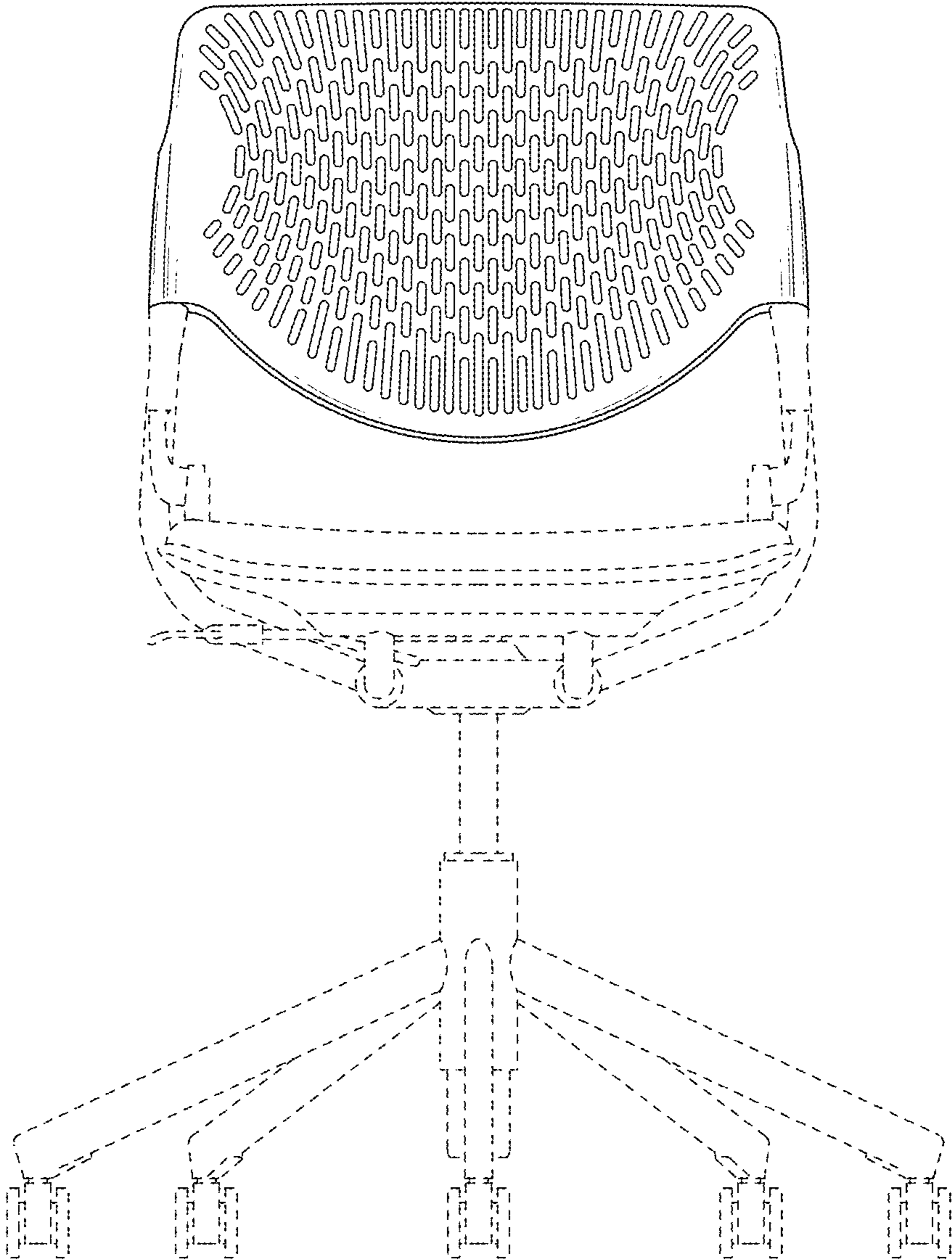


FIG. 4

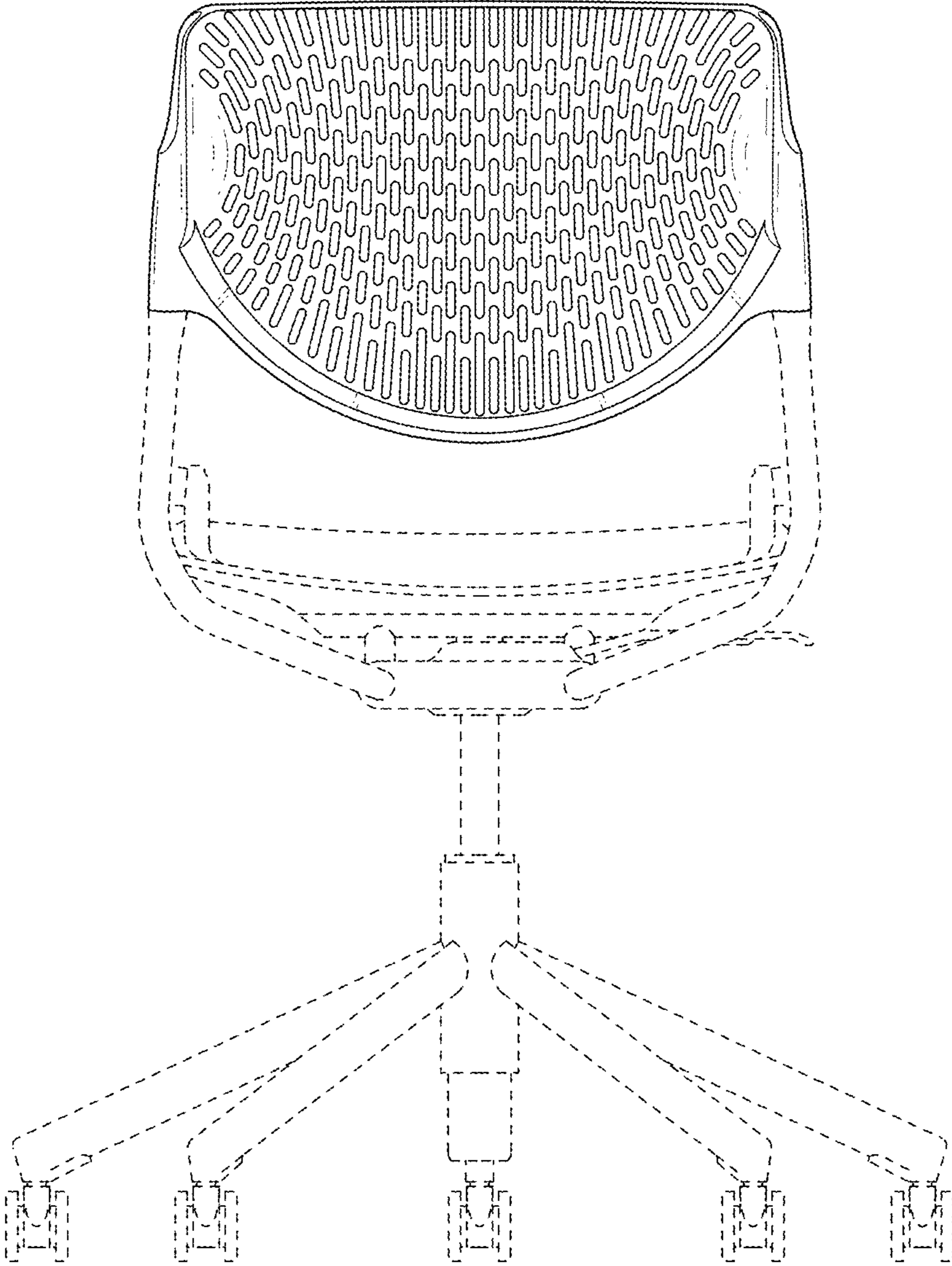


FIG. 5

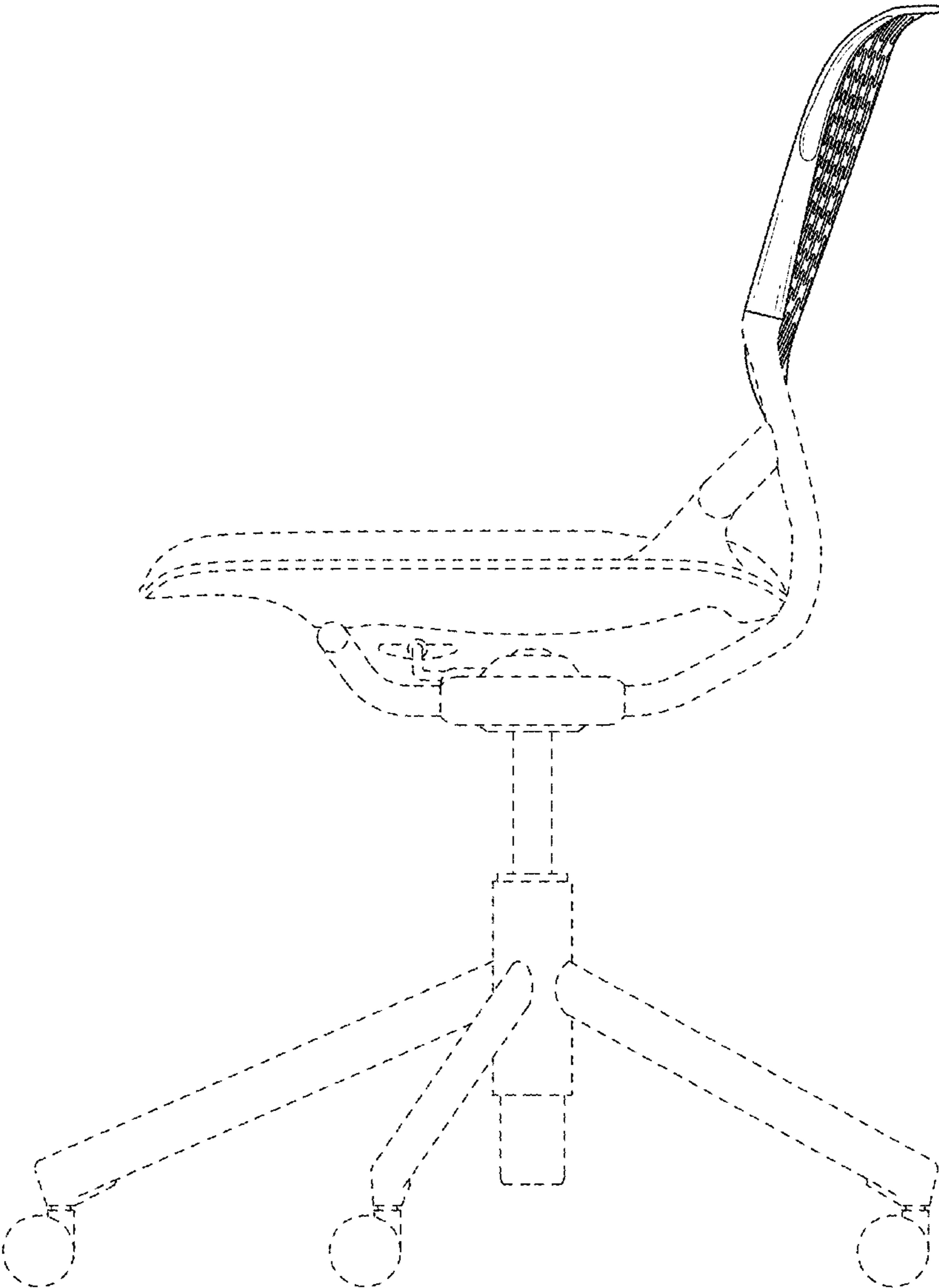


FIG. 6

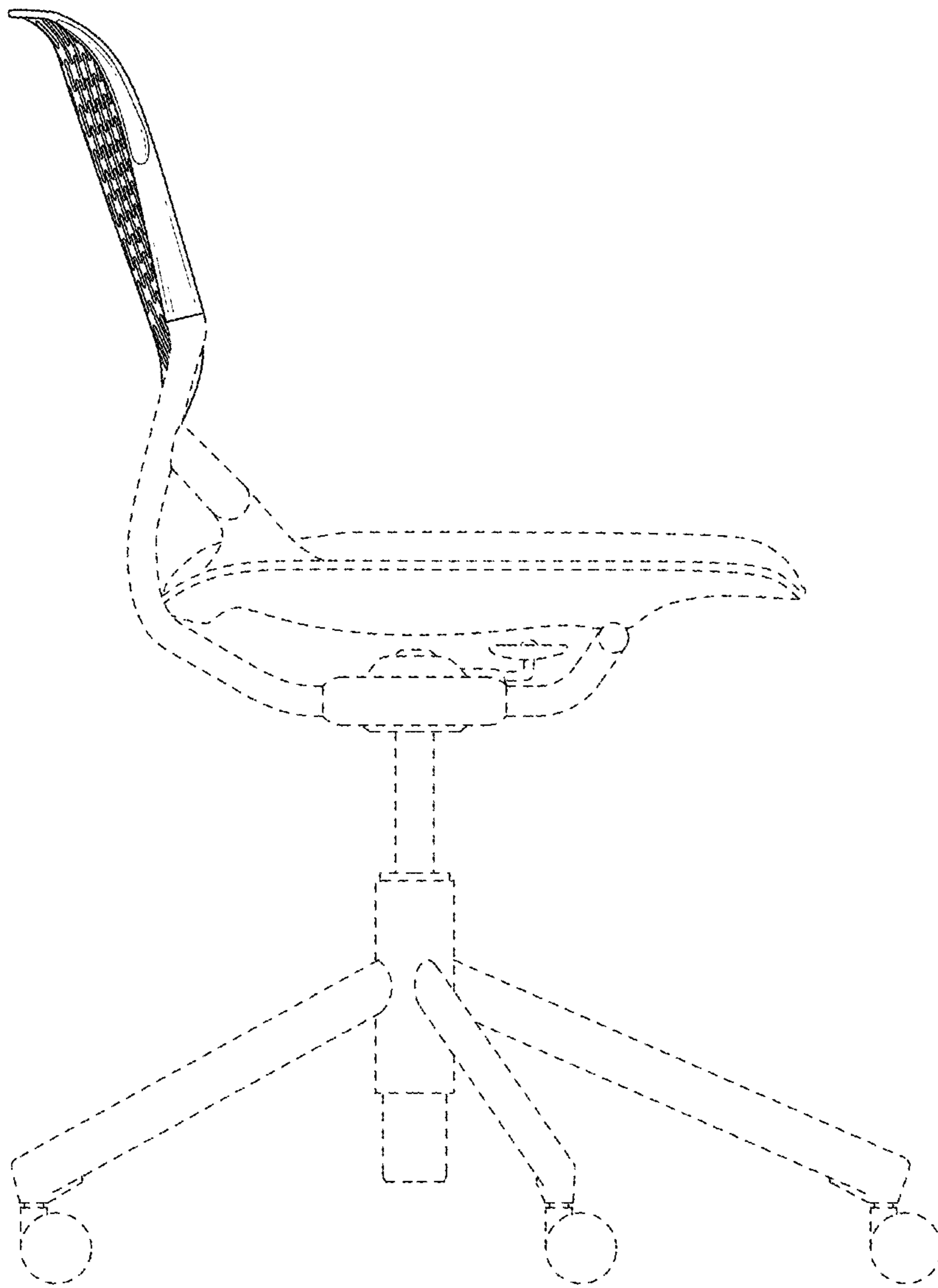


FIG. 7

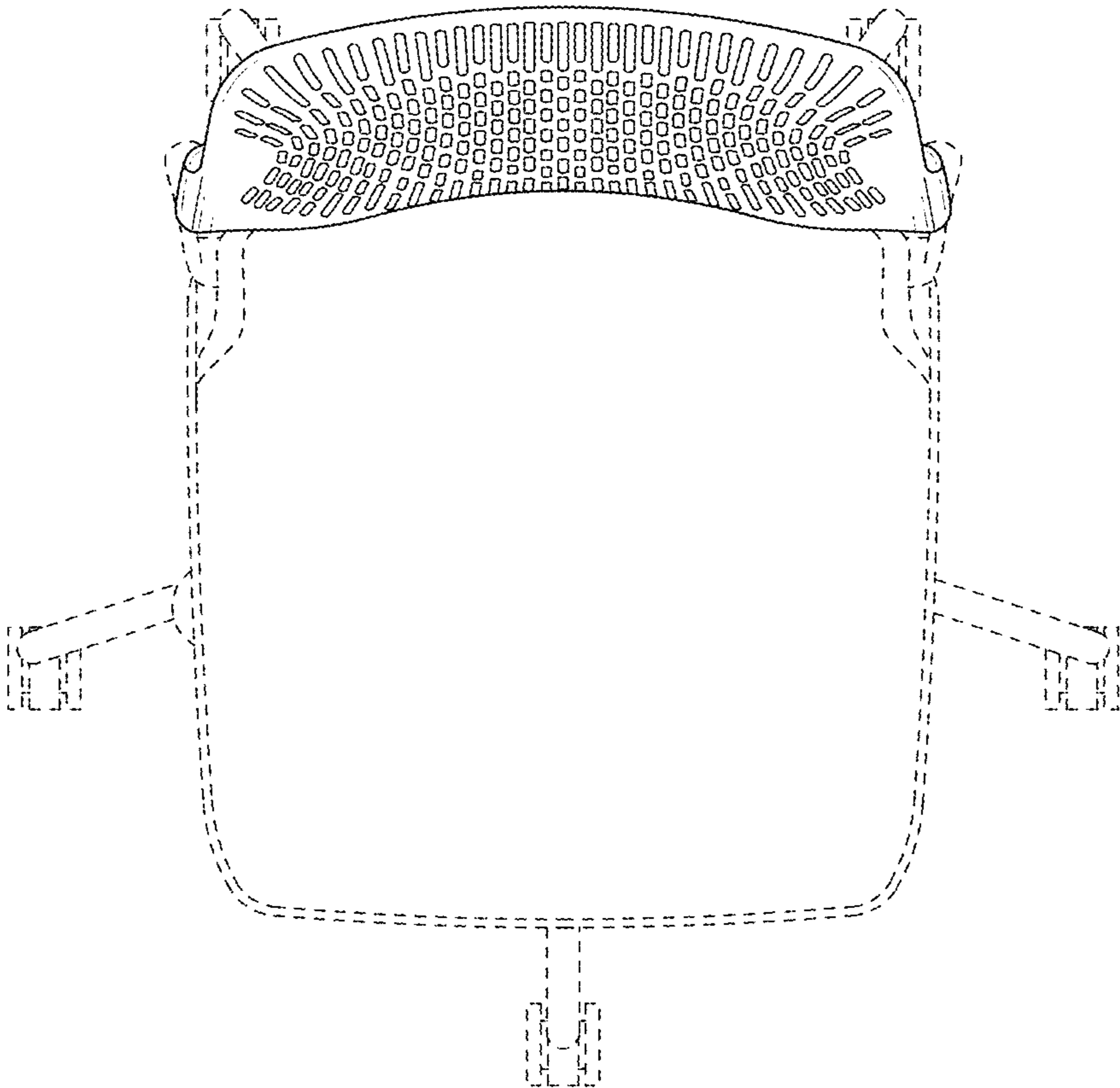


FIG. 8

