



US00D756694S

(12) **United States Design Patent**
Johnson et al.

(10) **Patent No.:** **US D756,694 S**
(45) **Date of Patent:** **** *May 24, 2016**

- (54) **NAME PLATE FOR A TABLE TOP**
- (71) Applicant: **LIFETIME PRODUCTS, INC.,**
Clearfield, UT (US)
- (72) Inventors: **Mitch Johnson**, South Weber, UT (US);
Frank Clegg, Fruit Heights, UT (US);
Wendell Peery, Kaysville, UT (US)
- (73) Assignee: **LIFETIME PRODUCTS, INC.,**
Clearfield, UT (US)

- D500,807 S 1/2005 Noell et al.
- D575,083 S 8/2008 Lin
- D625,758 S 10/2010 Brown et al.
- D643,069 S 8/2011 Mallozzi et al.
- 8,091,490 B2 1/2012 Branch et al.
- D688,496 S 8/2013 Bennett
- 8,757,069 B2 6/2014 Peery et al.
- D715,081 S 10/2014 Bennett
- 8,857,349 B2 10/2014 Peery et al.
- 2002/0152650 A1 10/2002 Reeves
- 2006/0196395 A1 9/2006 Lin et al.
- 2011/0047838 A1 3/2011 Peterson et al.
- 2013/0133380 A1 5/2013 Will

- (*) Notice: This patent is subject to a terminal disclaimer.
- (**) Term: **14 Years**
- (21) Appl. No.: **29/521,673**
- (22) Filed: **Mar. 25, 2015**

Related U.S. Application Data

- (62) Division of application No. 29/460,286, filed on Jul. 9, 2013.
- (51) **LOC (10) Cl.** **06-06**
- (52) **U.S. Cl.**
USPC **D6/707.24**
- (58) **Field of Classification Search**
USPC D6/691, 691.6, 707, 707.17, 707.19,
D6/707.24; 108/115, 129, 132, 159.12;
D20/22-28, 99; D18/24, 30; 40/1.5,
40/299.01
See application file for complete search history.

(56) **References Cited**

U.S. PATENT DOCUMENTS

- D489,206 S 5/2004 Strong
- D498,622 S 11/2004 Neunzert

OTHER PUBLICATIONS

- U.S. Appl. No. 29/460,286, filed Jul. 9, 2013, Johnson, et al.
- U.S. Appl. No. 29/460,287, filed Jul. 9, 2013, Johnson, et al.
- (Continued)

Primary Examiner — Janice Seeger

(74) *Attorney, Agent, or Firm* — Maschoff Brennan

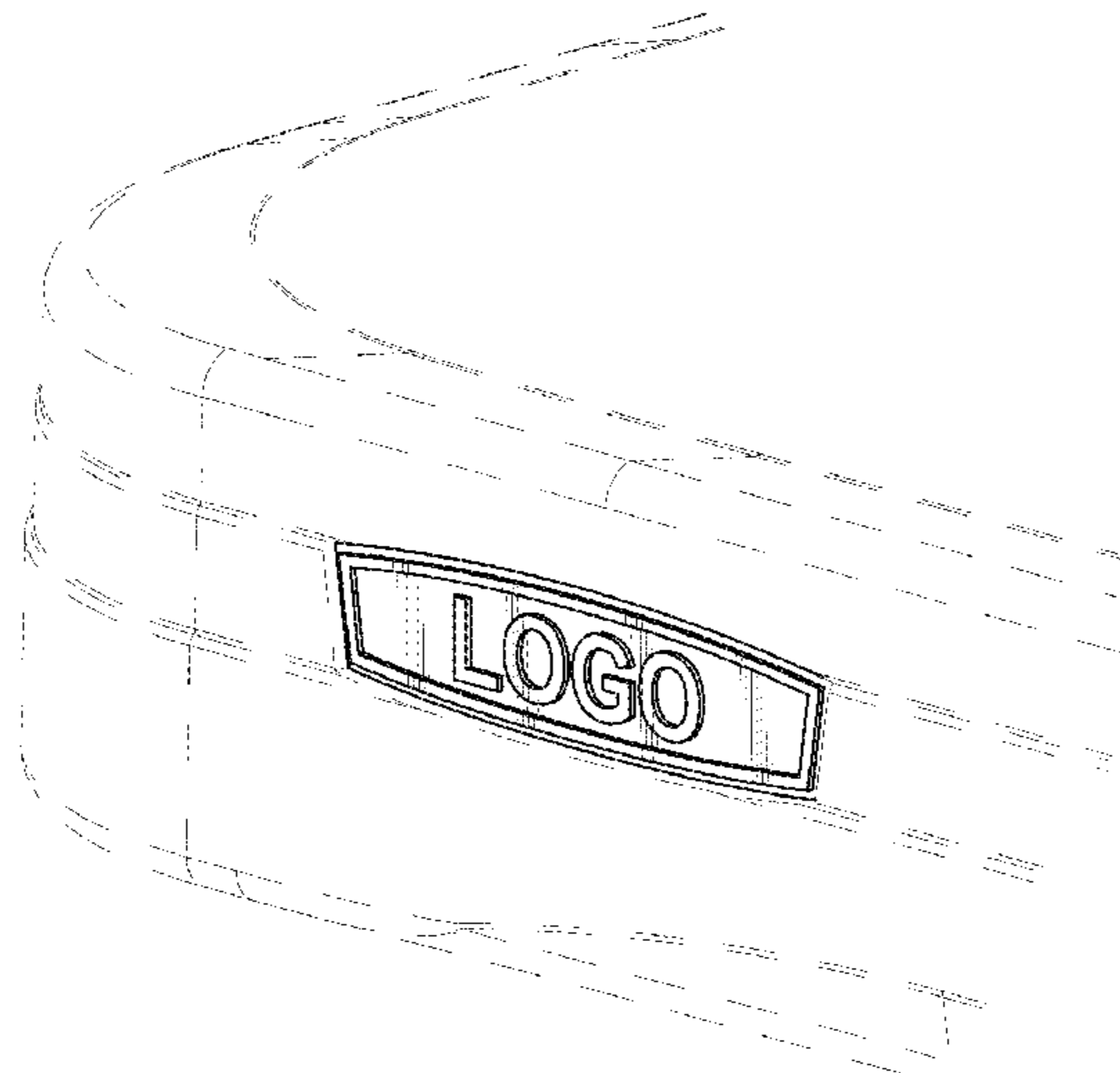
(57) **CLAIM**

The ornamental design for a name plate for a table top, as shown and described.

DESCRIPTION

FIG. 1 is a upper perspective view of an embodiment of a name plate for a table top, illustrating the name plate disposed along a side and proximate a corner of a table top;
 FIG. 2 is an enlarged upper perspective view of the name plate for a table top, as illustrated by line 2 in FIG. 1;
 FIG. 3 is a front view of the placement of the name plate for a table;
 FIG. 4 is a rear view of the name plate for a table top; and,
 FIG. 5 is an enlarged front view of the name plate for a table top, as illustrated by line 5 in FIG. 3
 The broken lines shown in the figures are for illustrative purposes only and form no part of the claimed design.

1 Claim, 5 Drawing Sheets



(56)

References Cited

OTHER PUBLICATIONS

U.S. Appl. No. 29/460,289, filed Jul. 9, 2013, Johnson, et al.
U.S. Appl. No. 29/460,290, filed Jul. 9, 2013, Johnson, et al.
U.S. Appl. No. 29/455,544, filed May 21, 2013, Johnson, et al.
U.S. Appl. No. 29/521,674, filed Mar. 25, 2015, Johnson, et al.
U.S. Appl. No. 29/521,677, filed Mar. 25, 2015, Johnson, et al.
U.S. Appl. No. 29/522,551, filed Mar. 31, 2015, Johnson, et al.
Notice of Allowance from U.S. Appl. No. 29/460,287 dated Mar. 18, 2015.

Notice of Allowance from U.S. Appl. No. 29/455,544 dated Mar. 16, 2015.

Office Action from U.S. Appl. No. 29/460,289 dated Mar. 17, 2015.

Office Action from U.S. Appl. No. 29/460,286 dated Mar. 16, 2015.

Office Action from U.S. Appl. No. 29/460,290 dated Dec. 24, 2014.

Office Action from U.S. Appl. No. 29/460,287 dated Dec. 24, 2014.

Office Action from U.S. Appl. No. 29/460,286 dated Dec. 23, 2014.

Office Action from U.S. Appl. No. 29/455,544 dated Dec. 24, 2014.

Office Action from U.S. Appl. No. 29/460,289 dated Dec. 19, 2014.

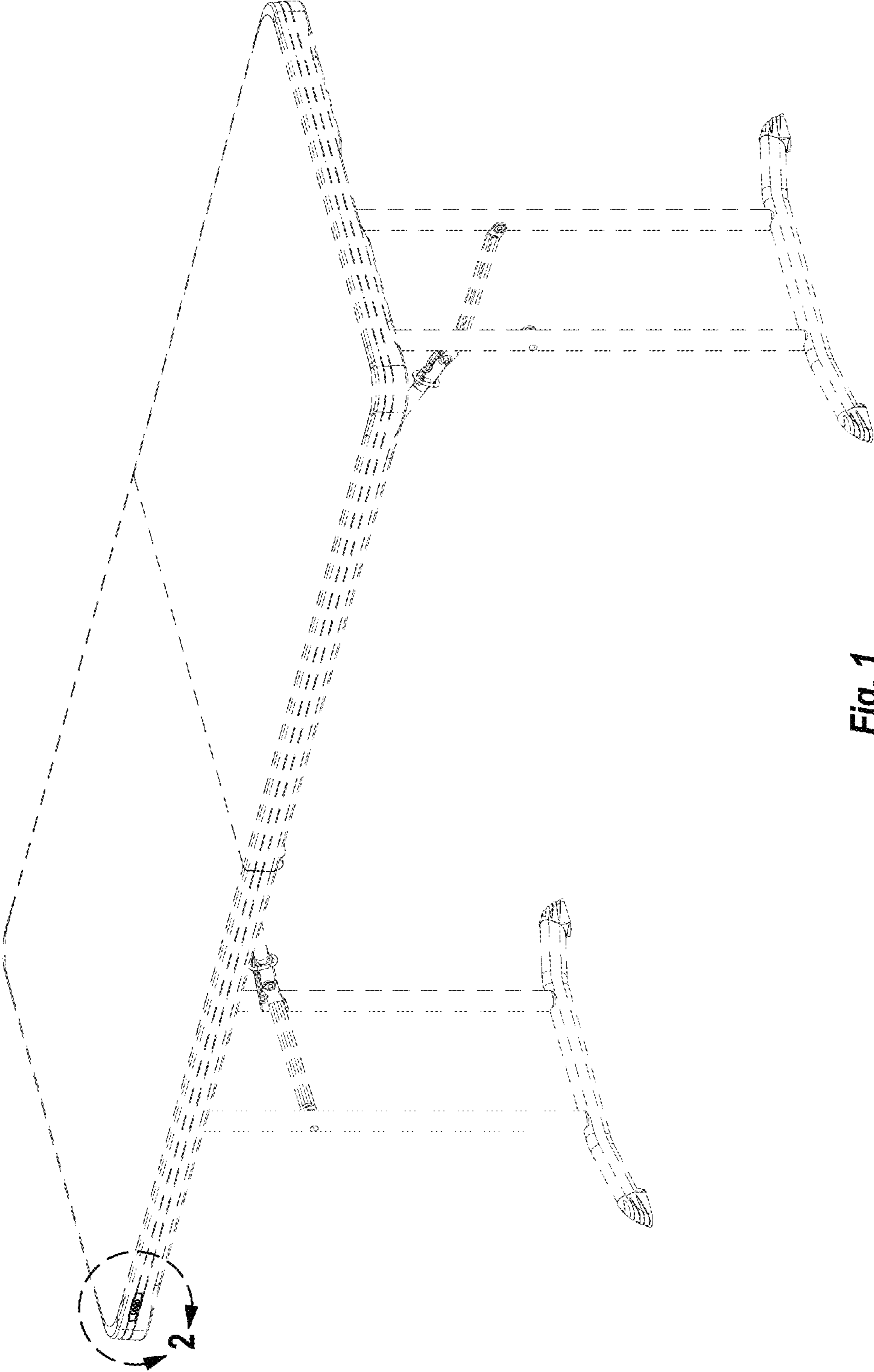


Fig. 1

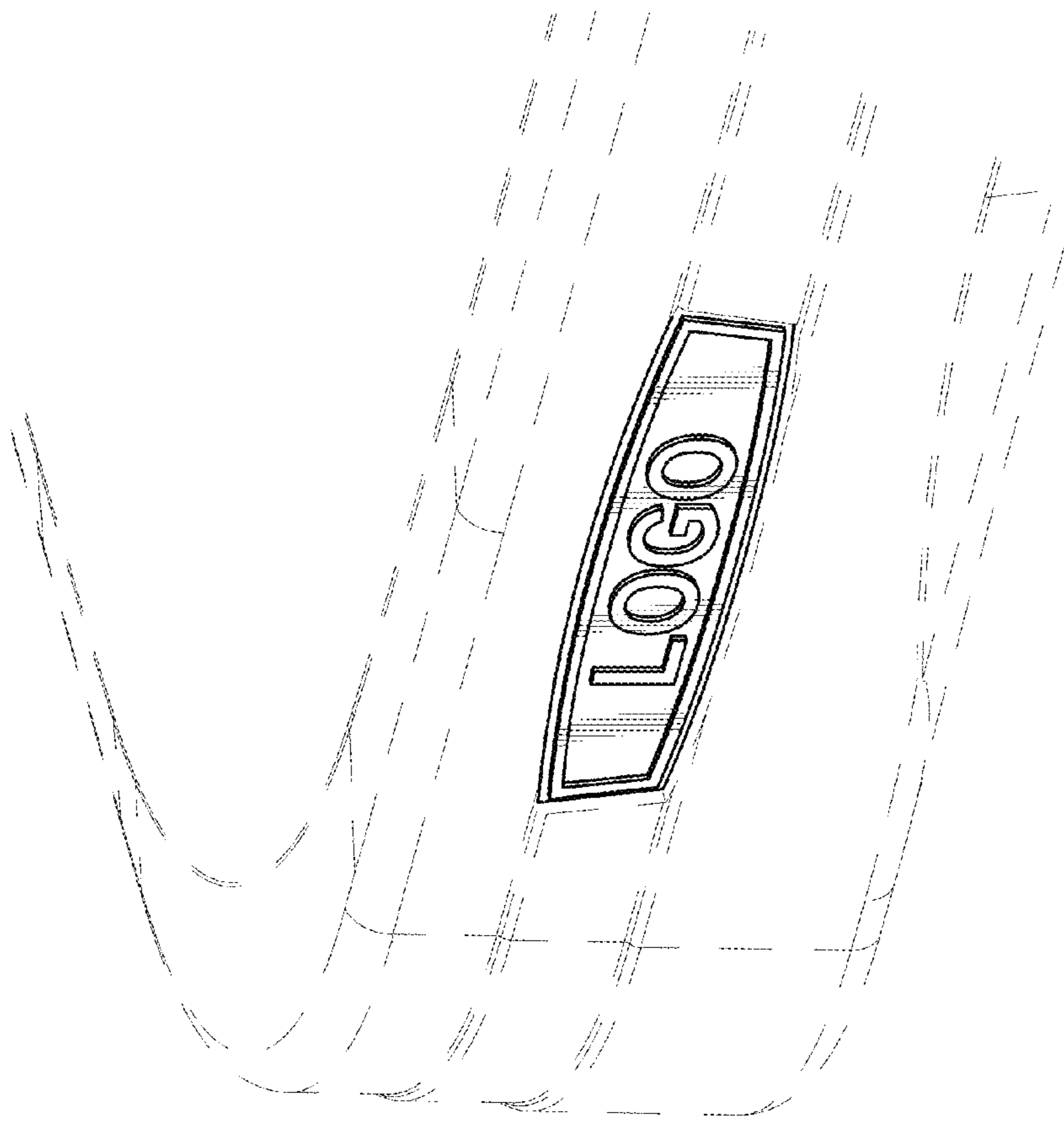


Fig. 2

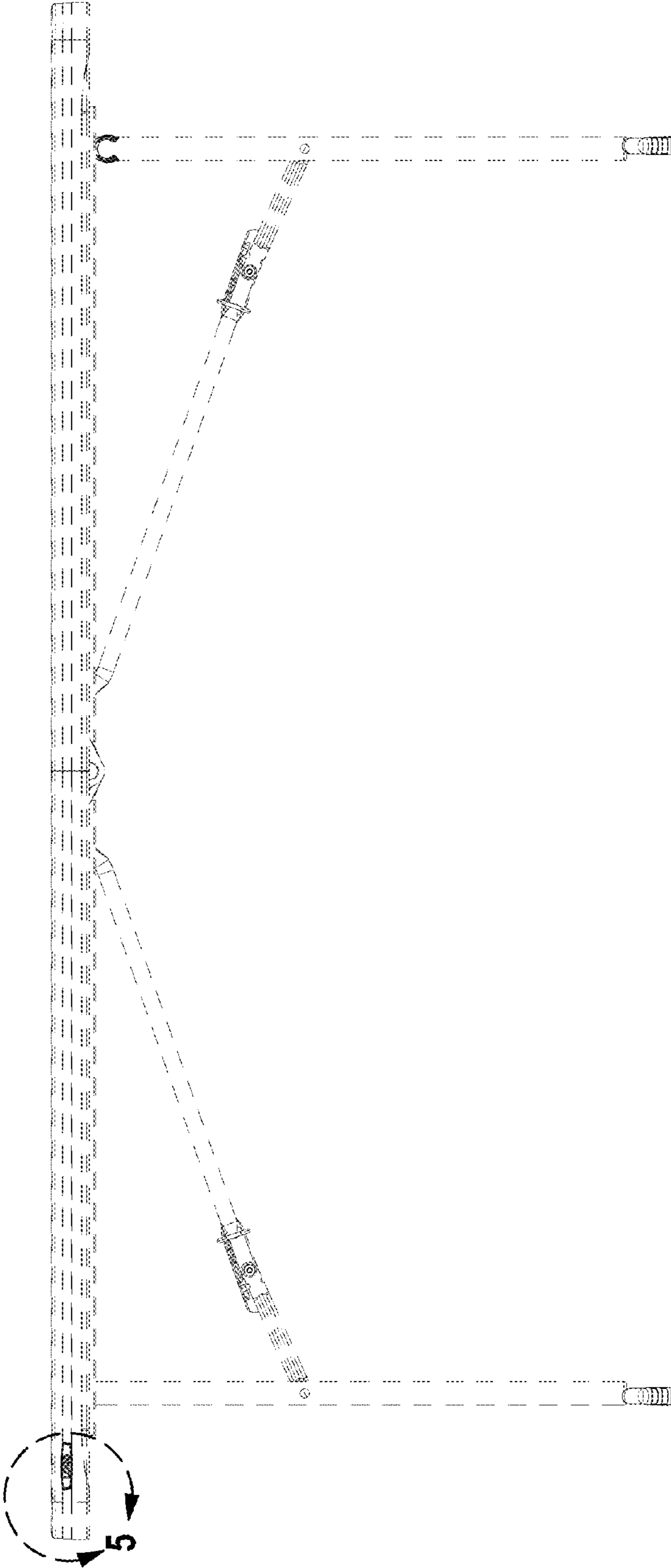


Fig. 3

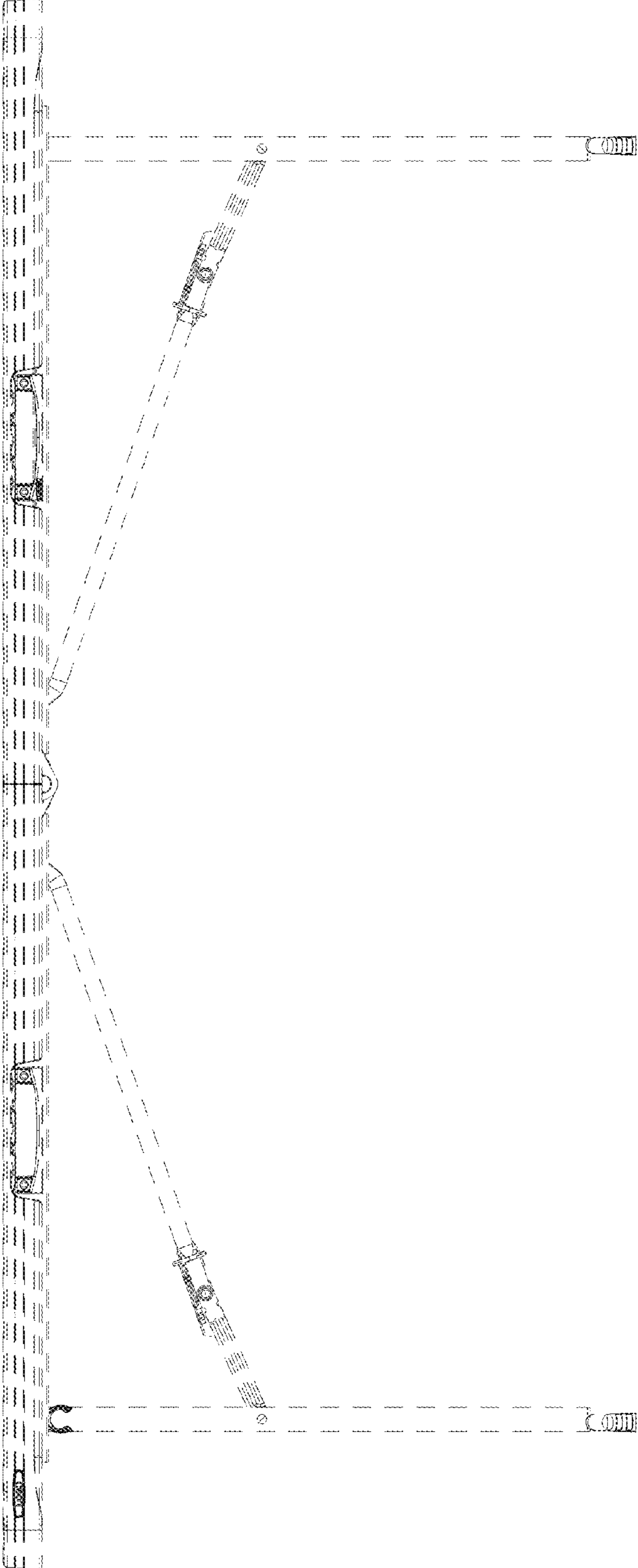


Fig. 4

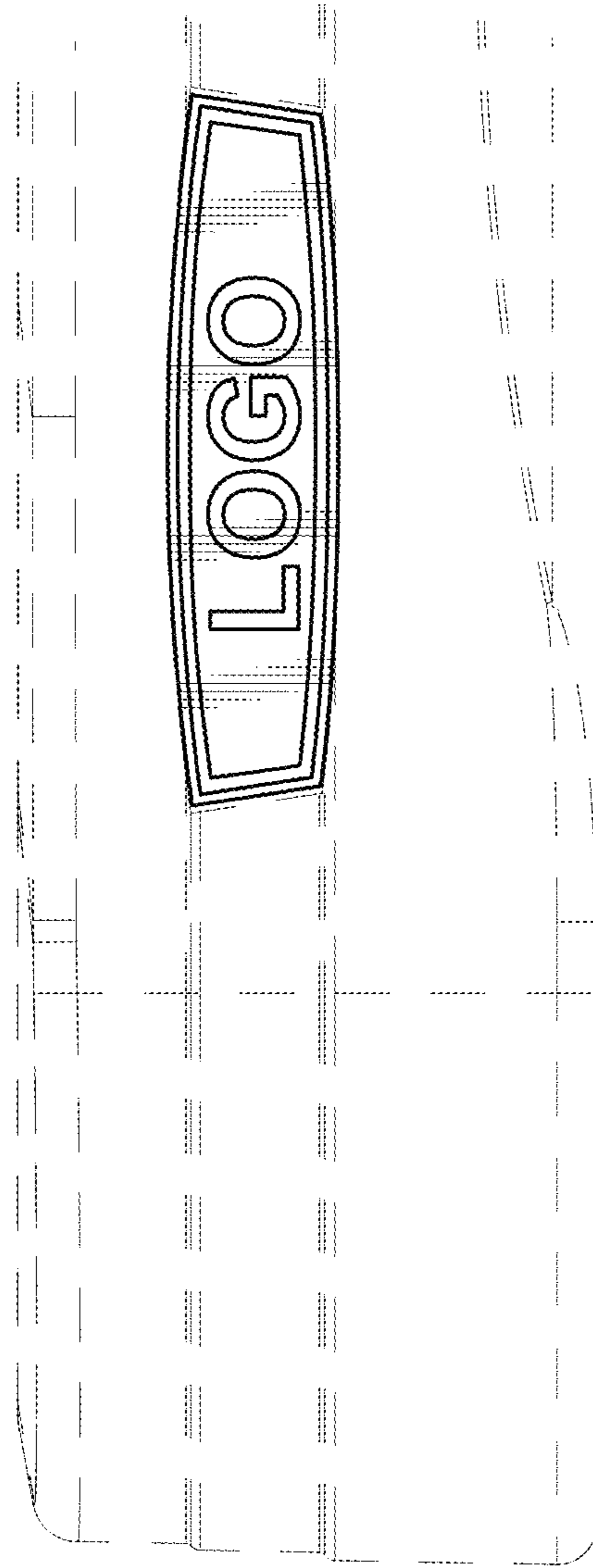


Fig. 5

UNITED STATES PATENT AND TRADEMARK OFFICE
CERTIFICATE OF CORRECTION

PATENT NO. : D756,694 S
APPLICATION NO. : 29/521673
DATED : May 24, 2016
INVENTOR(S) : Johnson et al.

Page 1 of 1

It is certified that error appears in the above-identified patent and that said Letters Patent is hereby corrected as shown below:

Title page

In item (57), under “DESCRIPTION”, in Column 2, Line 10, delete “3” and insert -- 3. --, therefor.

In item (57), under “DESCRIPTION”, in Column 2, Line 1, delete “a upper” and insert -- an upper --, therefor.

Signed and Sealed this
Sixth Day of September, 2016



Michelle K. Lee
Director of the United States Patent and Trademark Office