



US00D756693S

(12) **United States Design Patent**
Shah et al.

(10) **Patent No.:** **US D756,693 S**

(45) **Date of Patent:** **** May 24, 2016**

(54) **WORKBENCH**

(71) Applicant: **NewAge Products, Inc.**, Vaughan (CA)

(72) Inventors: **Parag Shah**, Toronto (CA); **Edward Reyes**, Toronto (CA); **Robert Vandenharm**, Toronto (CA); **Frank Spano**, Toronto (CA)

(73) Assignee: **NEWAGE PRODUCTS, INC.**, Vaughan (CA)

(**) Term: **14 Years**

(21) Appl. No.: **29/518,424**

(22) Filed: **Feb. 24, 2015**

(51) **LOC (10) Cl.** **06-03**

(52) **U.S. Cl.**
USPC **D6/684**

(58) **Field of Classification Search**
USPC D6/672, 675, 681, 681.1, 682, 682.3, D6/682.4, 683, 683.1, 684, 698, 707, D6/707.19; D21/522; 108/50.01, 50.02; D25/62, 66, 67; 144/285, 286.1; 269/16; 83/477.2
CPC B25H 1/04; B25H 1/00; B25H 1/18; A47B 3/08

See application file for complete search history.

(56) **References Cited**

U.S. PATENT DOCUMENTS

846,087	A *	3/1907	Bradt	A47B 3/10 144/285
D204,989	S *	6/1966	Sliver	D6/707.19
D260,209	S *	8/1981	Ferdinand	D6/684
D346,709	S *	5/1994	Nagao	D6/684
D391,421	S	3/1998	Steelman		
D394,761	S *	6/1998	Bird	D6/656
D462,819	S *	9/2002	Burford	D34/14
D466,717	S *	12/2002	Cho	D6/652.2
D479,064	S *	9/2003	Goldberg	D6/684
D503,570	S *	4/2005	Anderson	D6/349
D644,860	S *	9/2011	Saito	D6/656.17
D670,105	S *	11/2012	Jespersen	D6/691

2003/0039557	A1 *	2/2003	Burford	F04B 35/06 417/234
2010/0018442	A1 *	1/2010	Knudsen	B25H 1/04 108/176
2013/0234383	A1 *	9/2013	Eastwood	B25H 1/04 269/309

OTHER PUBLICATIONS

Gladiator Modular Workbench, available Feb. 20, 2011, [online], [site visited Jan. 11, 2016]. Available from internet, <URL: http://www.amazon.com/Gladiator-GAWB66BAWG-66-5-Inch-Modular-Workbench/dp/B0046ZSX9U/ref=pd_sim_sbs_469_1?ie=UTF8&dpID=31WZN4nESPL&dpSrc=sims&preST=_AC_UL160_SR16_0%2C160&refRID=0TZ68PZA0FE38S7ZDTCR>.*

NewAge Products Workbench (via Amazon), available Jun. 14, 2015, [online], [site visited Jan. 11, 2016]. Available from internet, <URL: <http://www.amazon.com/NewAge-Products-Workbench-Stainless-Steel/dp/B00W5MBPU0>>.*

NewAge Products Workbench (via Home Depot), available Mar. 25, 2015, [online], [site visited Jan. 11, 2016]. Available from internet, <URL: <http://www.homedepot.com/p/NewAge-Products-36-in-H-x-24-in-D-x-96-in-W-Metal-Workbench-with-Bamboo-Top-31091/205902925>>.*

NewAge Products Workbench, available Jan. 6, 2015, [online], [site visited Jan. 11, 2016]. Available from internet, <URL: <http://newageproducts.com/workbenches/>>.*

Workbench with Tool Tray, available Nov. 15, 2010, [online], [site visited Jan. 11, 2016]. Available from internet, <URL: <https://atelierdubricoleur.wordpress.com/2011/08/01/workbench-tool-tray-bac-a-outils-d%e2%80%99etabli/5-workbench-tool-tray-2/>>.*

Woodworking Bench with Tool Well, available Feb. 11, 2013, [online], [site visited Jan. 11, 2016]. Available from internet, <URL: <http://www.americanworkbench.com/WoodworkingBench.html>>.*

* cited by examiner

Primary Examiner — Cathron Brooks

Assistant Examiner — Teddy Falloway

(74) *Attorney, Agent, or Firm* — Howard & Howard Attorneys PLLC

(57) **CLAIM**

The ornamental design for a workbench, as shown and described.

DESCRIPTION

FIG. 1 is a perspective view of an embodiment of a workbench.

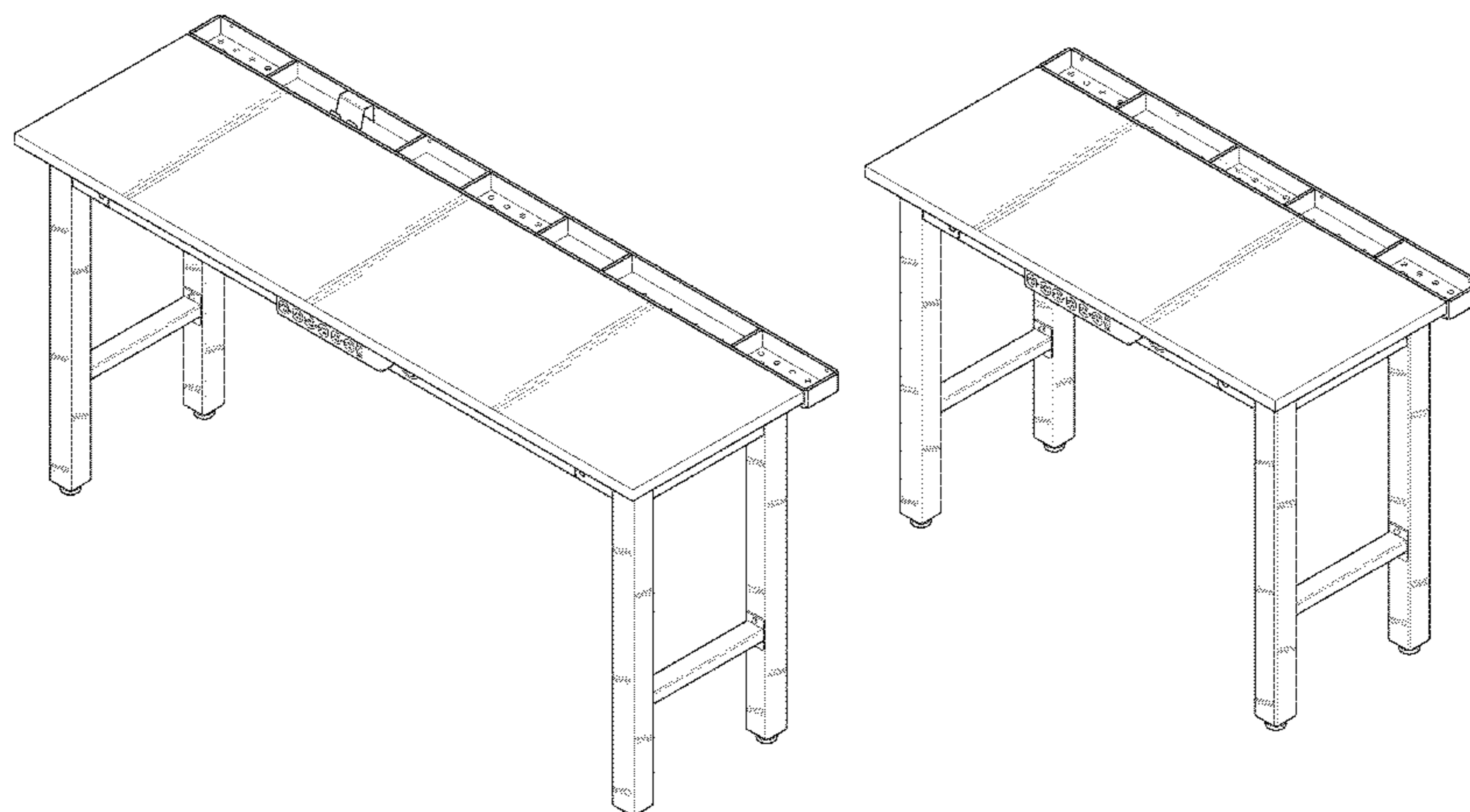


FIG. 2 is a front elevational view of the workbench of FIG. 1.
FIG. 3 is rear elevational view of the workbench of FIG. 1.
FIG. 4 is a right side elevational view of the workbench of FIG. 1.
FIG. 5 is a left side elevational view of the workbench of FIG. 1.
FIG. 6 is top plan view of the workbench of FIG. 1.
FIG. 7 is a bottom plan view of the workbench of FIG. 1.
FIG. 8 is a perspective view of the embodiment of the workbench in FIG. 1 with the power strip and cord shown in dot-dot broken lines.
FIG. 9 is a front elevational view of the workbench of FIG. 8.
FIG. 10 is rear elevational view of the workbench of FIG. 8.
FIG. 11 is a right side elevational view of the workbench of FIG. 8.
FIG. 12 is a left side elevational view of the workbench of FIG. 8.
FIG. 13 is top plan view of the workbench of FIG. 8.
FIG. 14 is a bottom plan view of the workbench of FIG. 8.
FIG. 15 is a perspective view of another embodiment of the workbench.
FIG. 16 is a front elevational view of the workbench of FIG. 15.

FIG. 17 is rear elevational view of the workbench of FIG. 15.
FIG. 18 is a right side elevational view of the workbench of FIG. 15.
FIG. 19 is a left side elevational view of the workbench of FIG. 15.
FIG. 20 is top plan view of the workbench of FIG. 15.
FIG. 21 is a bottom plan view of the workbench of FIG. 15.
FIG. 22 is a perspective view of yet another embodiment of the workbench.
FIG. 23 is a front elevational view of the workbench of FIG. 22.
FIG. 24 is rear elevational view of the workbench of FIG. 22.
FIG. 25 is a right side elevational view of the workbench of FIG. 22.
FIG. 26 is a left side elevational view of the workbench of FIG. 22.
FIG. 27 is top plan view of the workbench of FIG. 22; and,
FIG. 28 is a bottom plan view of the workbench of FIG. 22.
The dot-dot broken lines shown are included for the purpose of illustrating portions of the workbench that form no part of the claimed design.

1 Claim, 24 Drawing Sheets

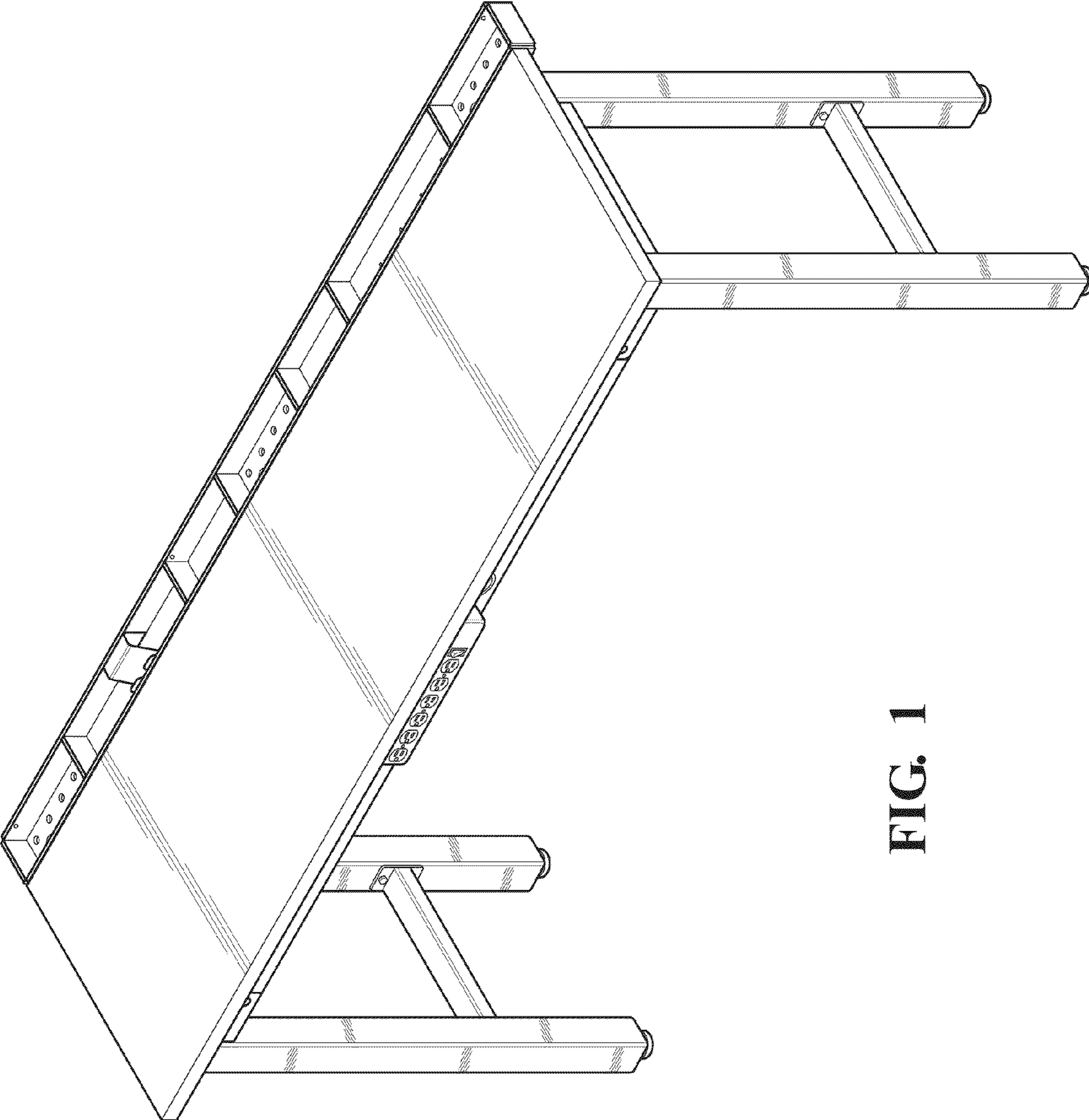


FIG. 1

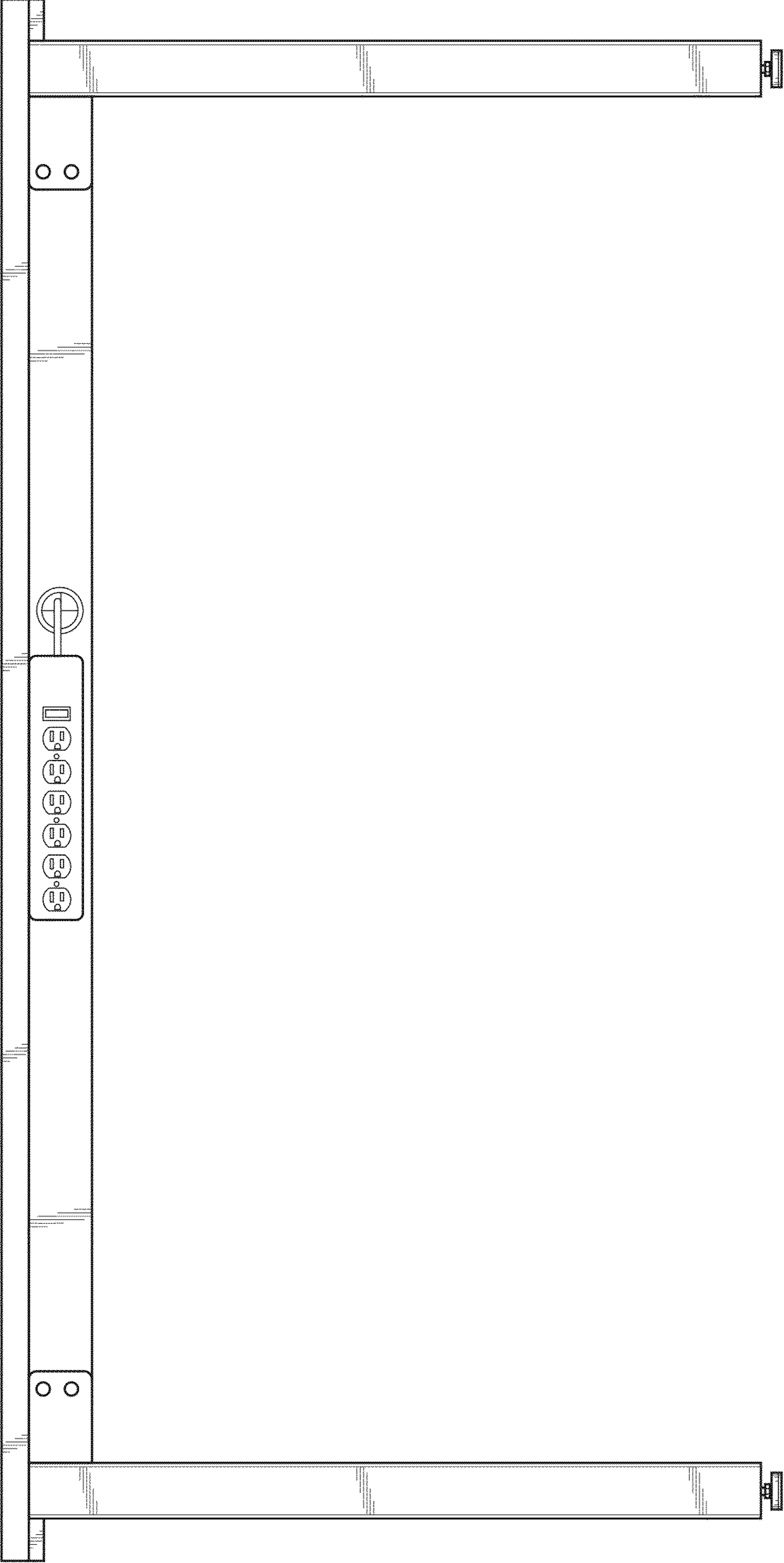


FIG. 2

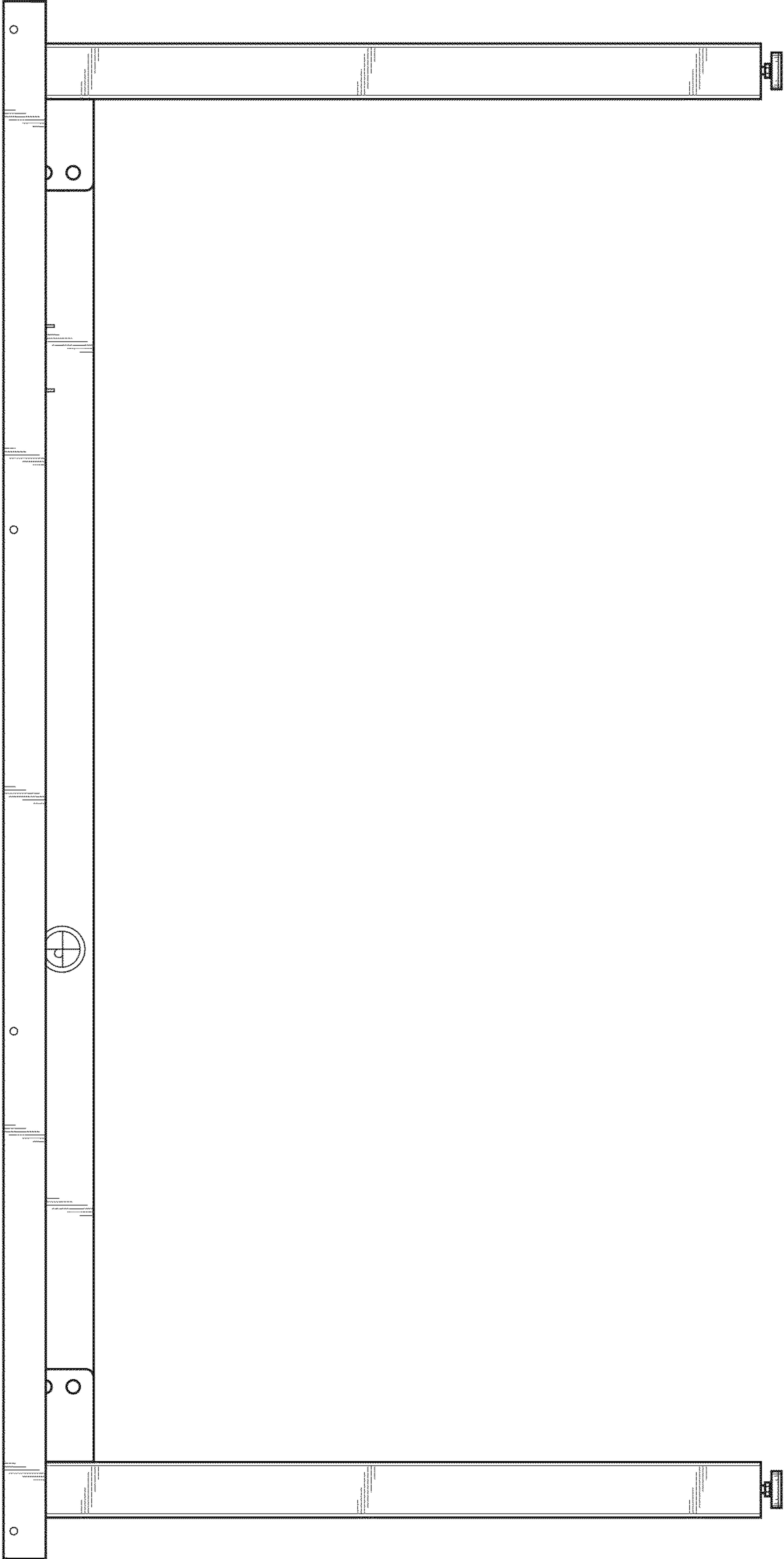


FIG. 3

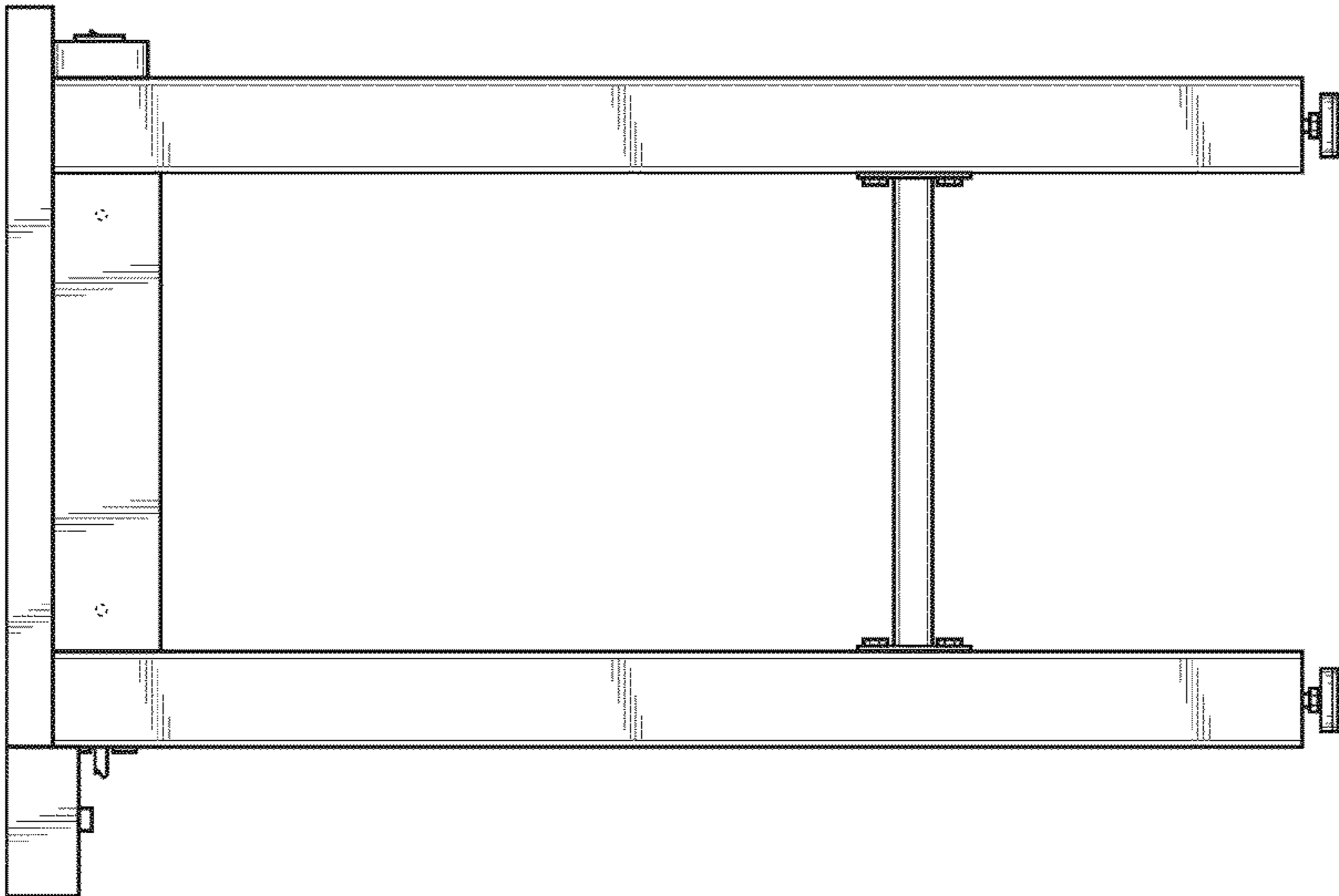


FIG. 5

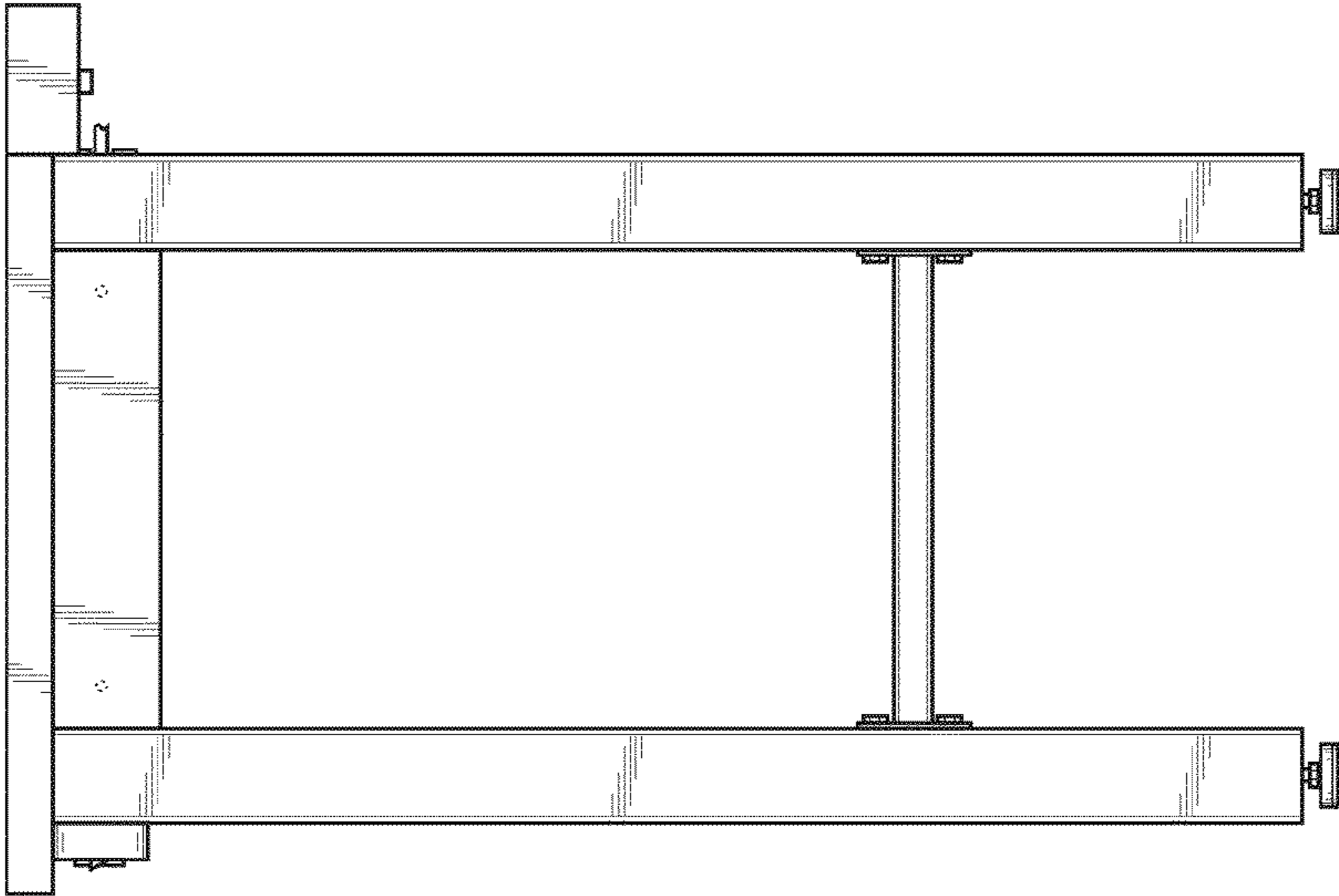


FIG. 4

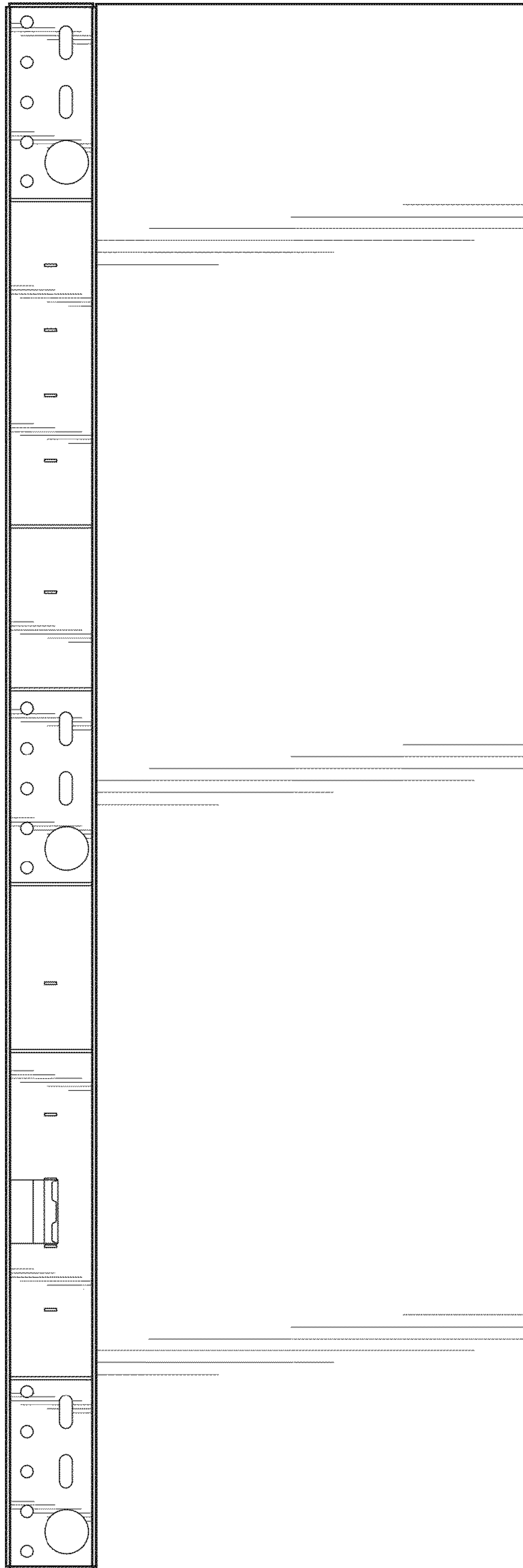


FIG. 6

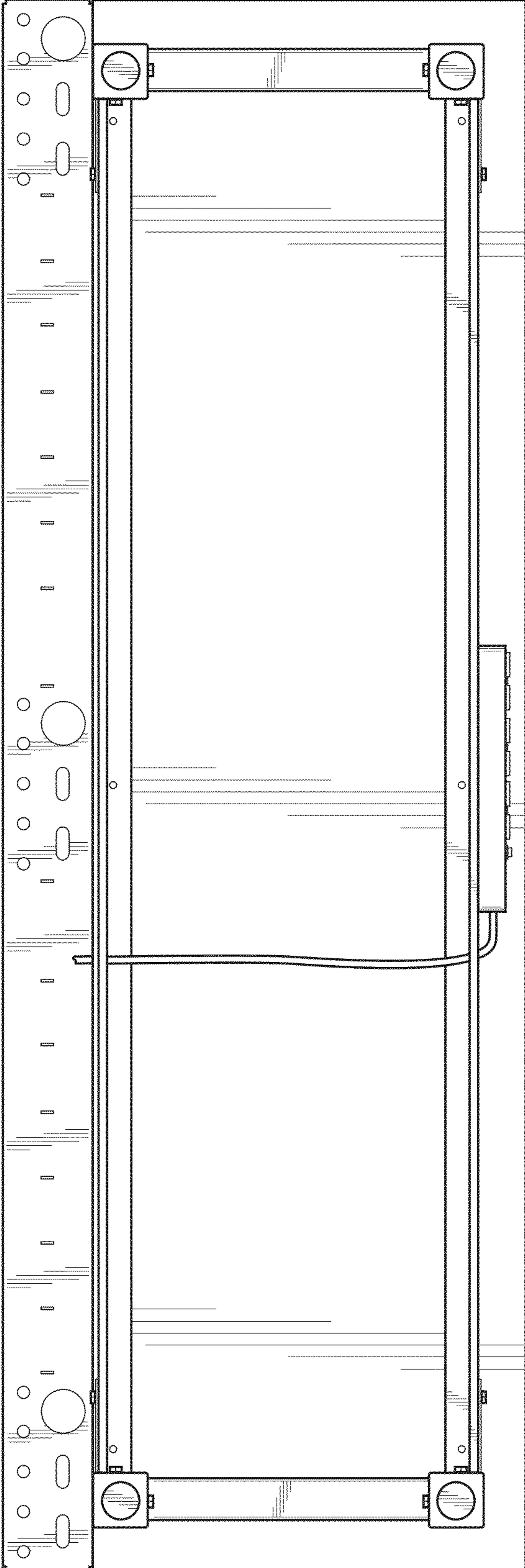


FIG. 7

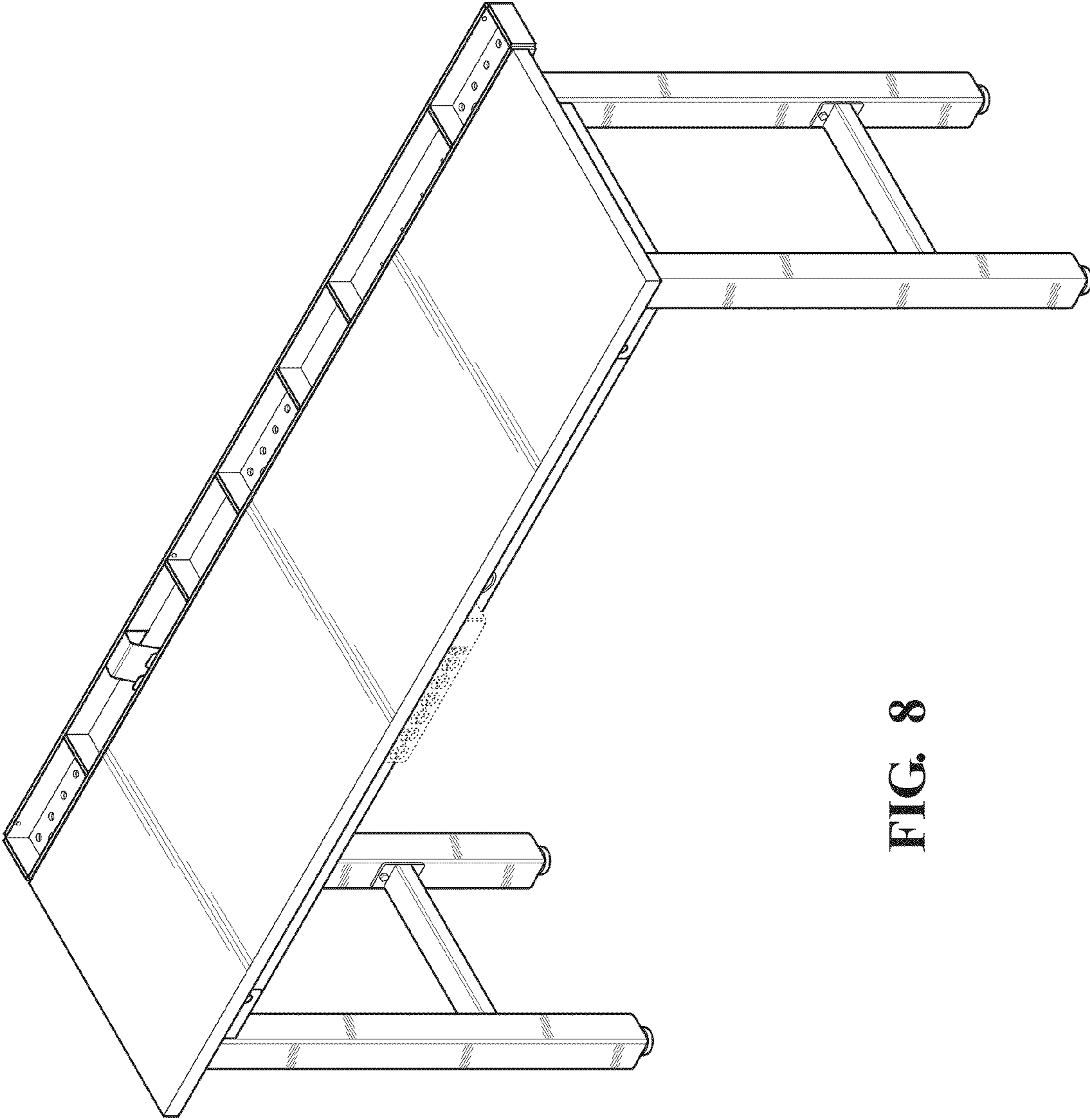


FIG. 8

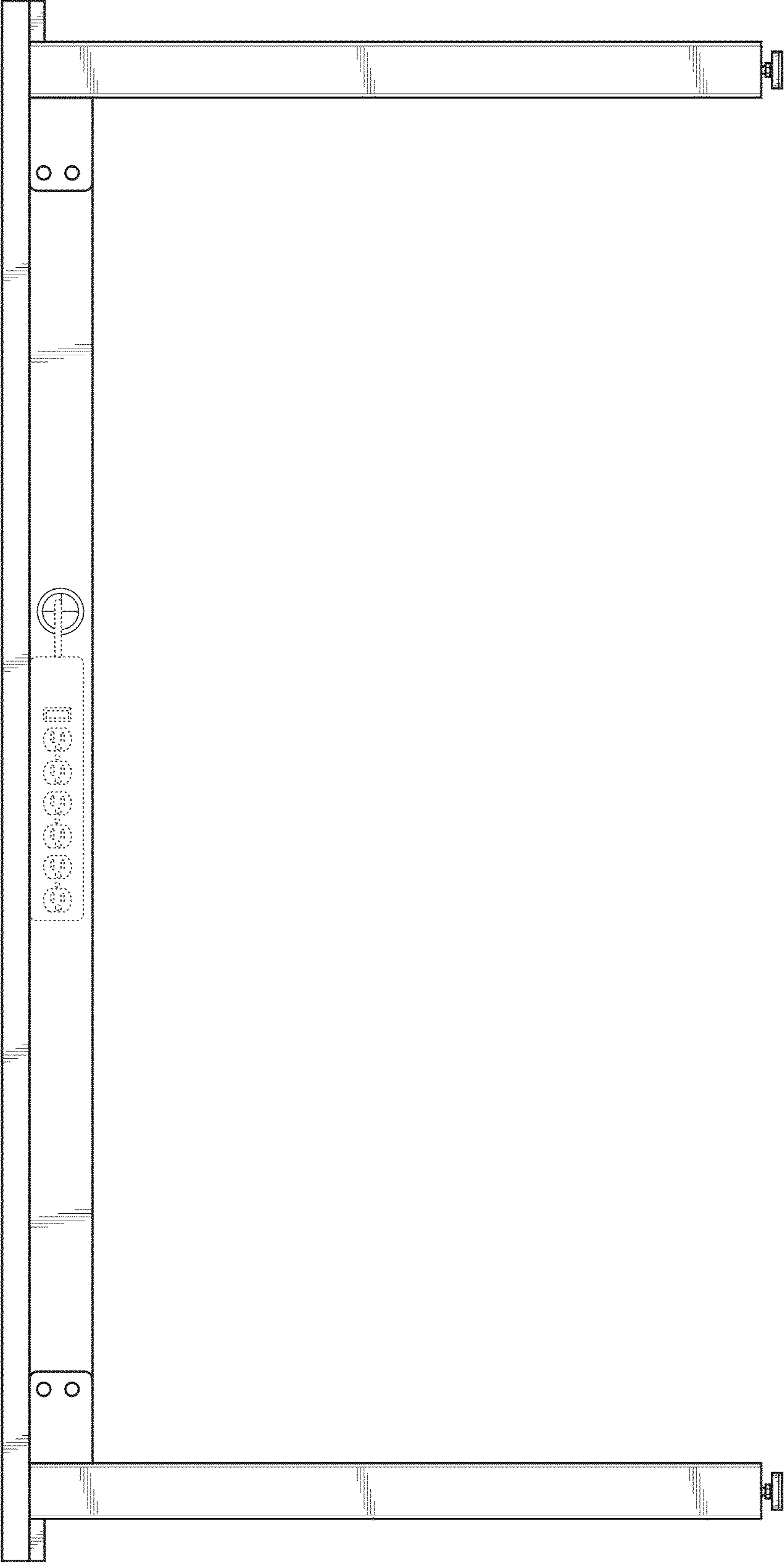


FIG. 9

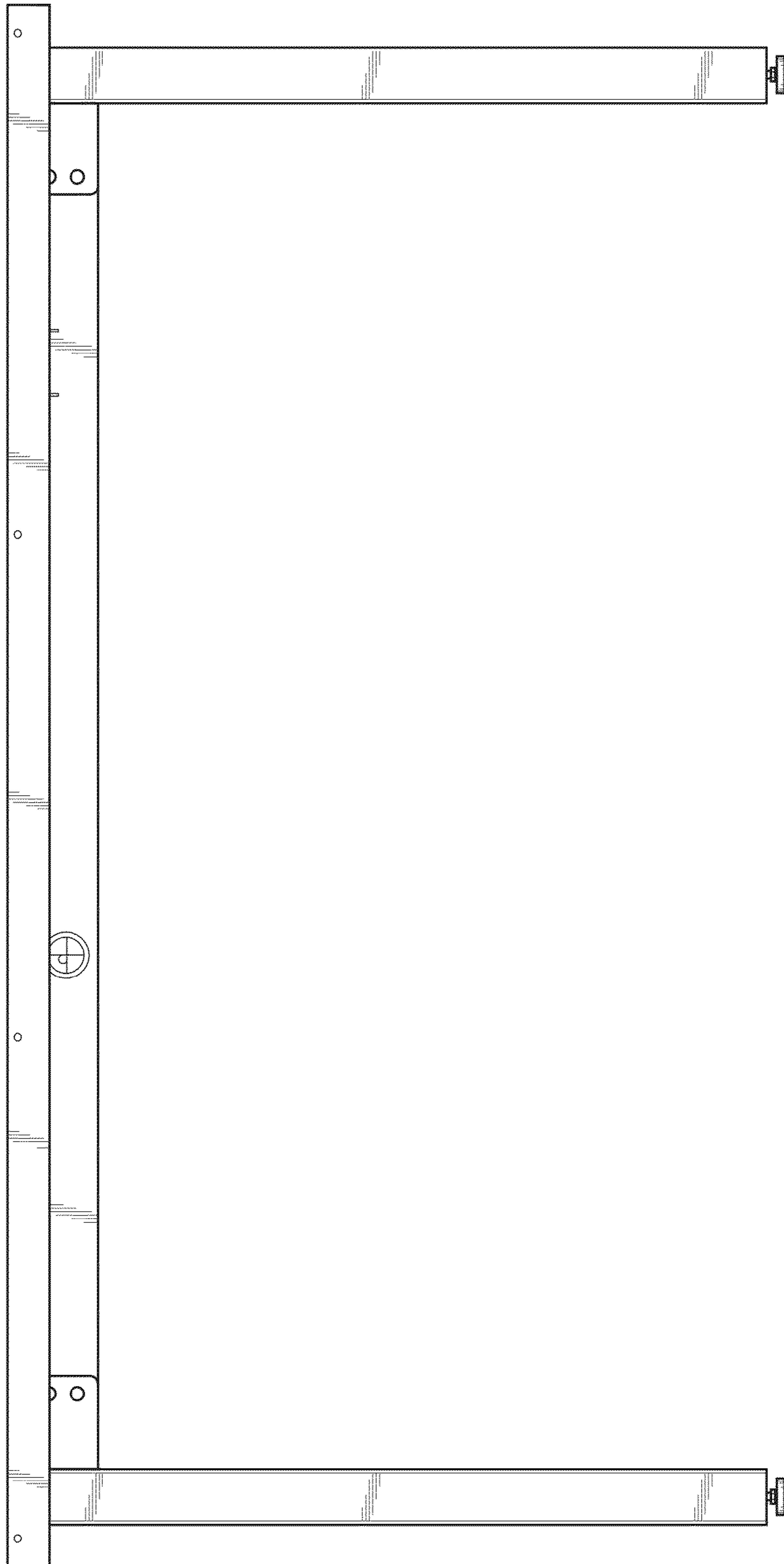


FIG. 10

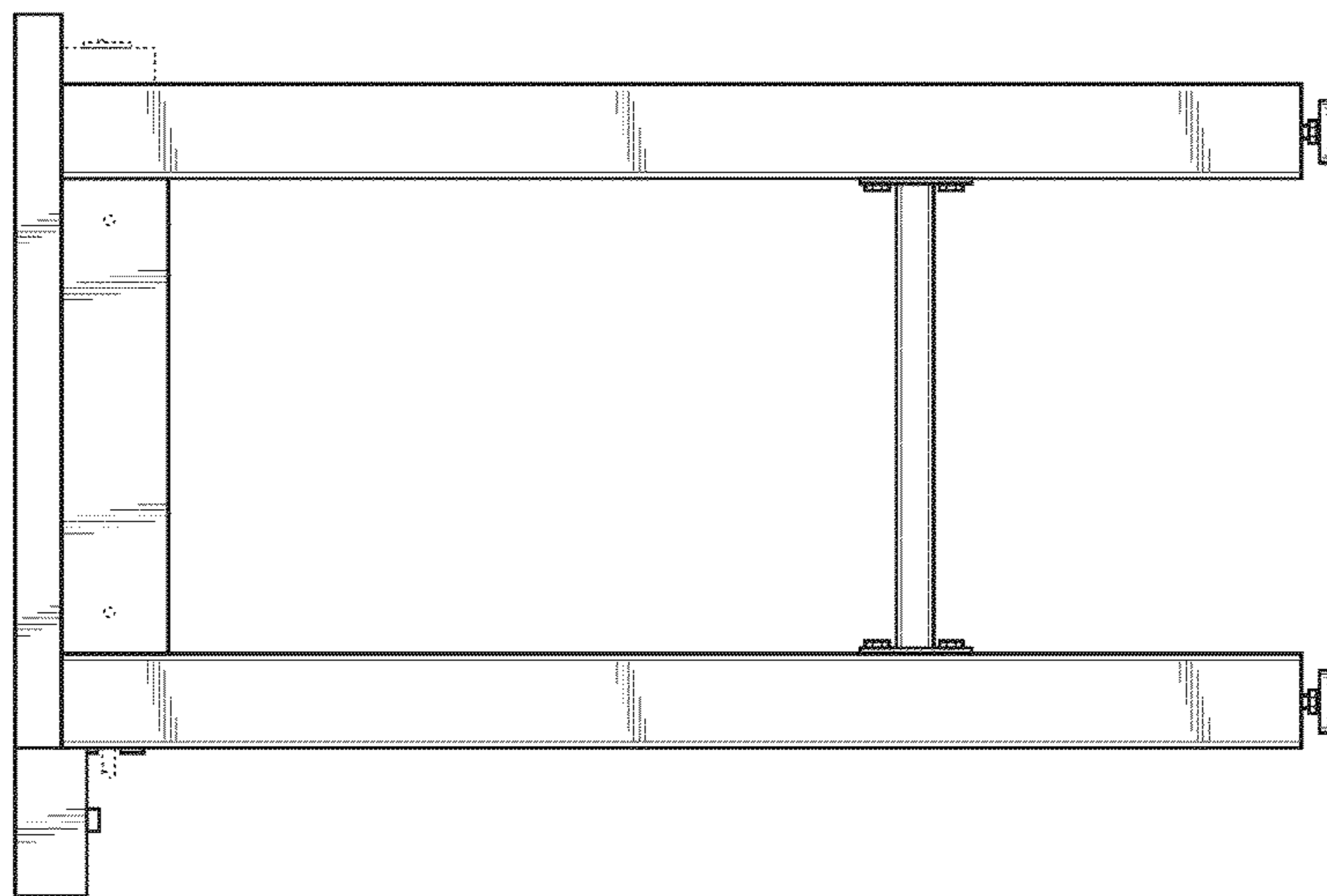


FIG. 12

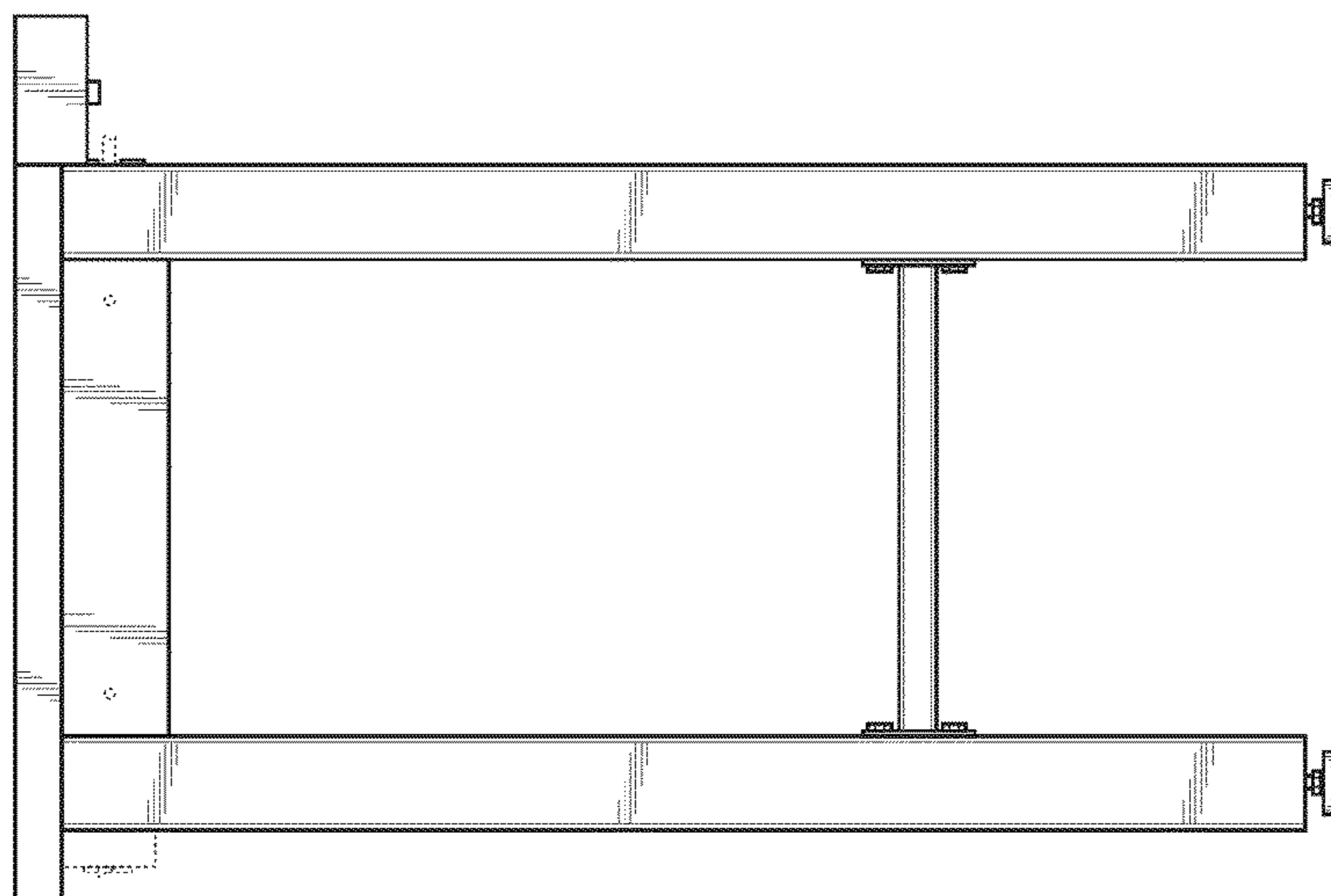


FIG. 11

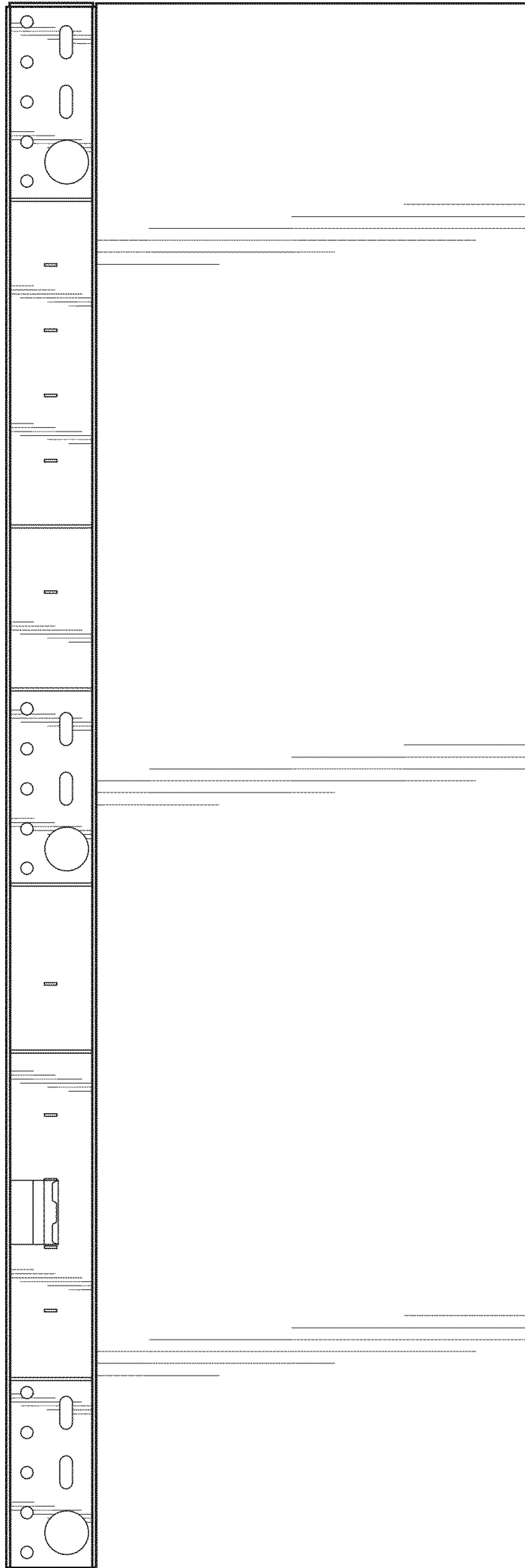


FIG. 13

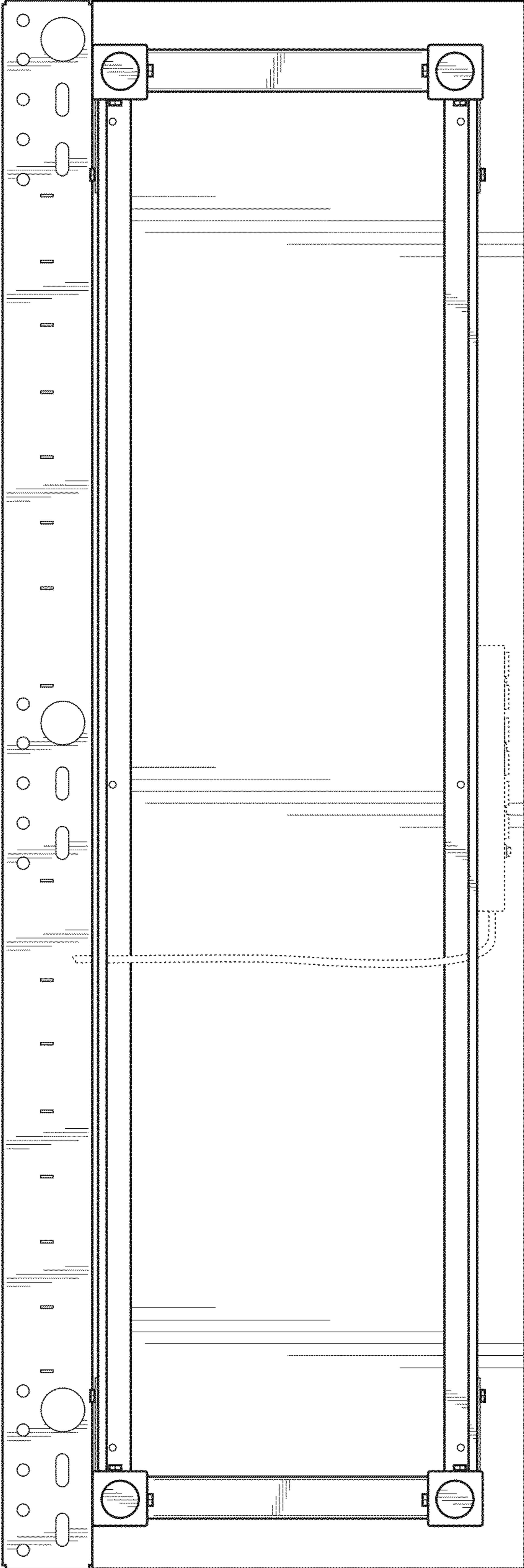


FIG. 14

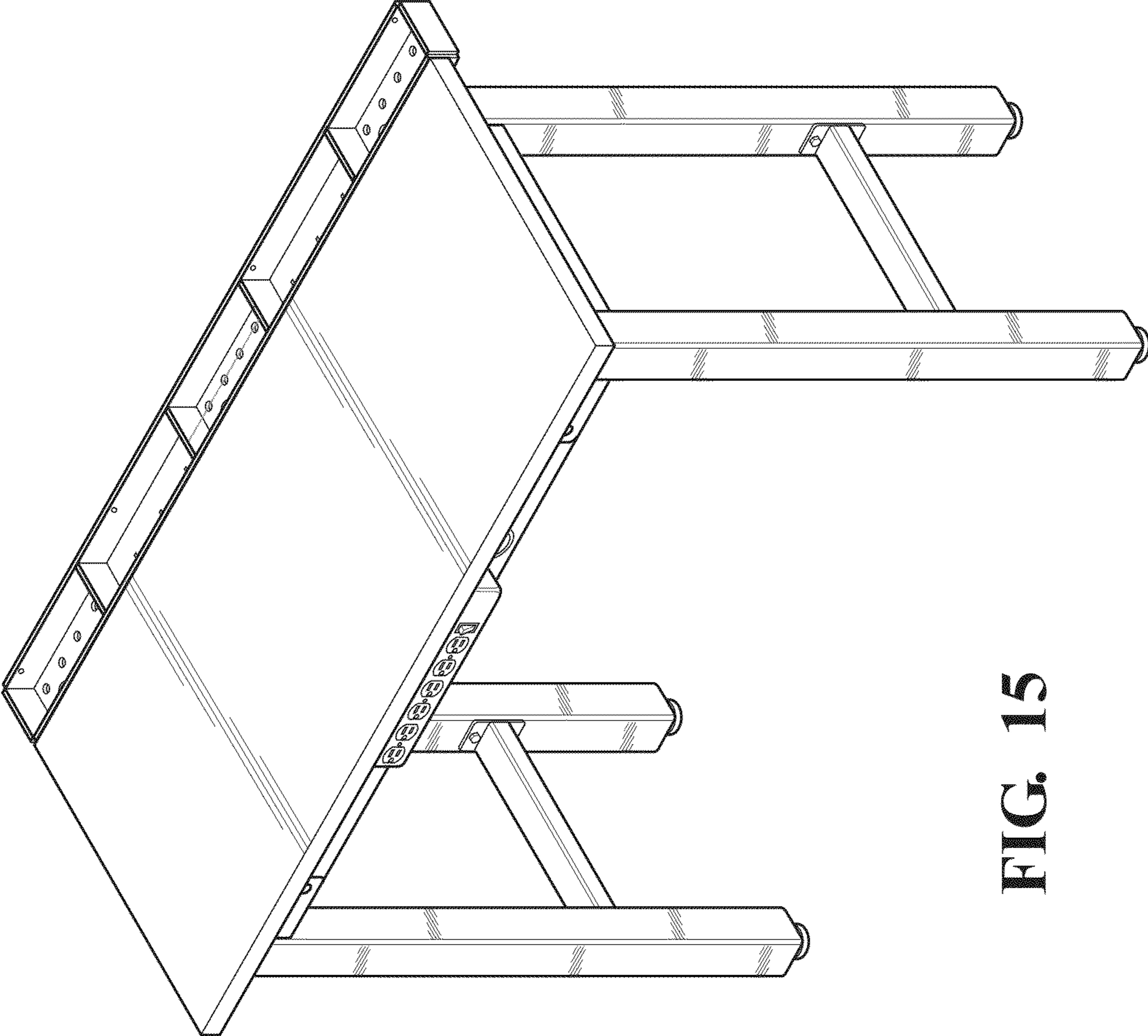


FIG. 15

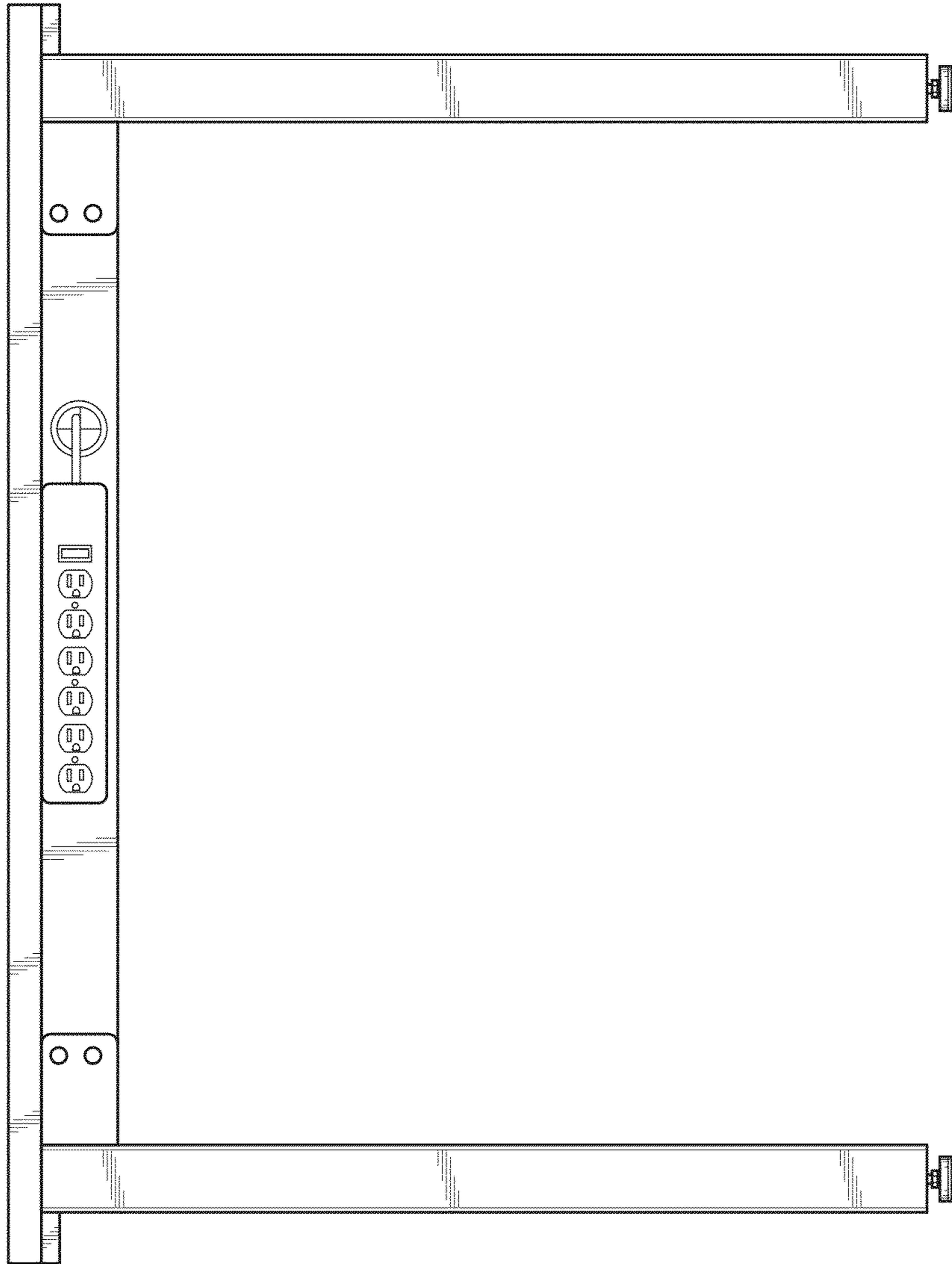


FIG. 16

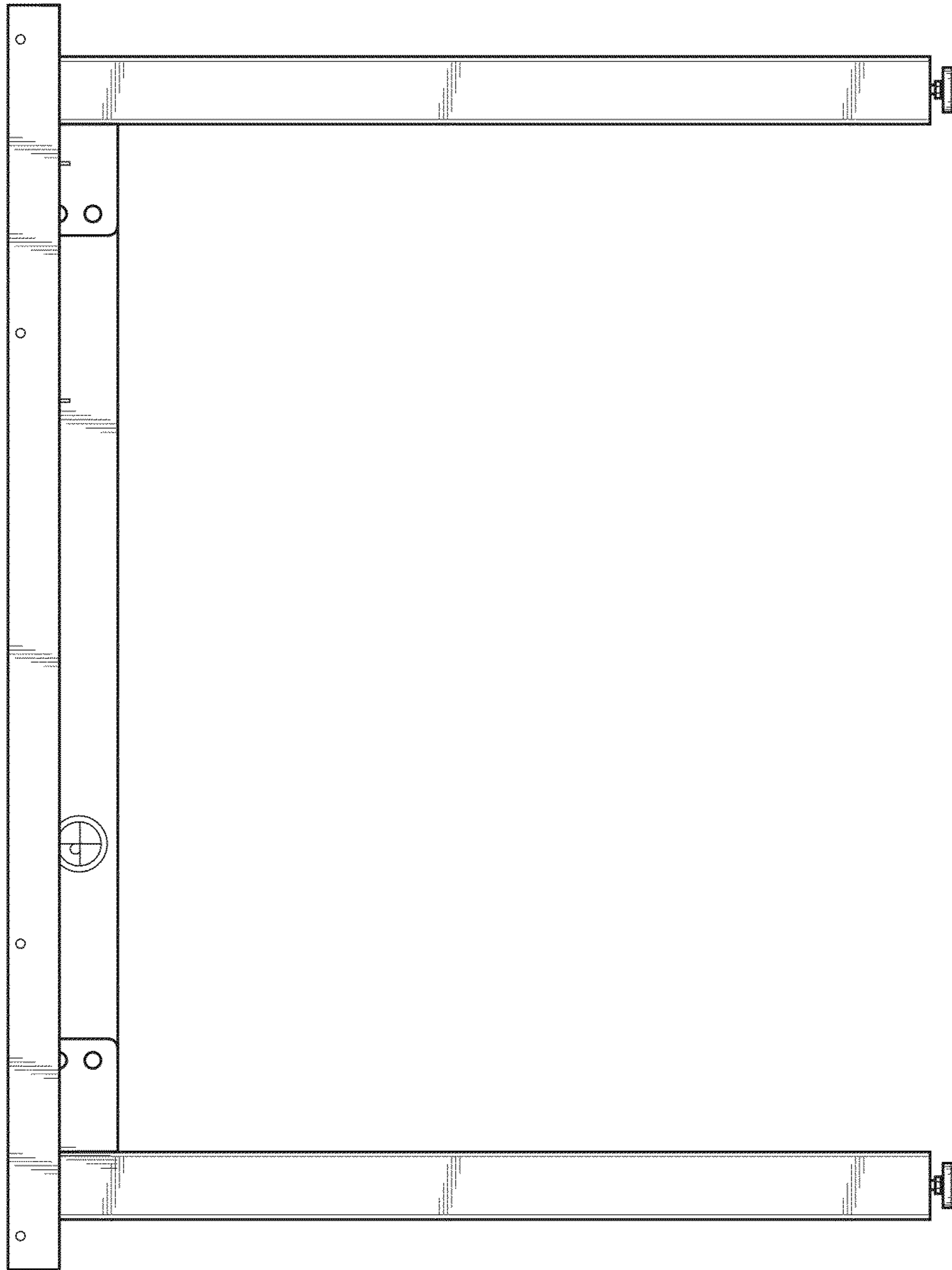


FIG. 17

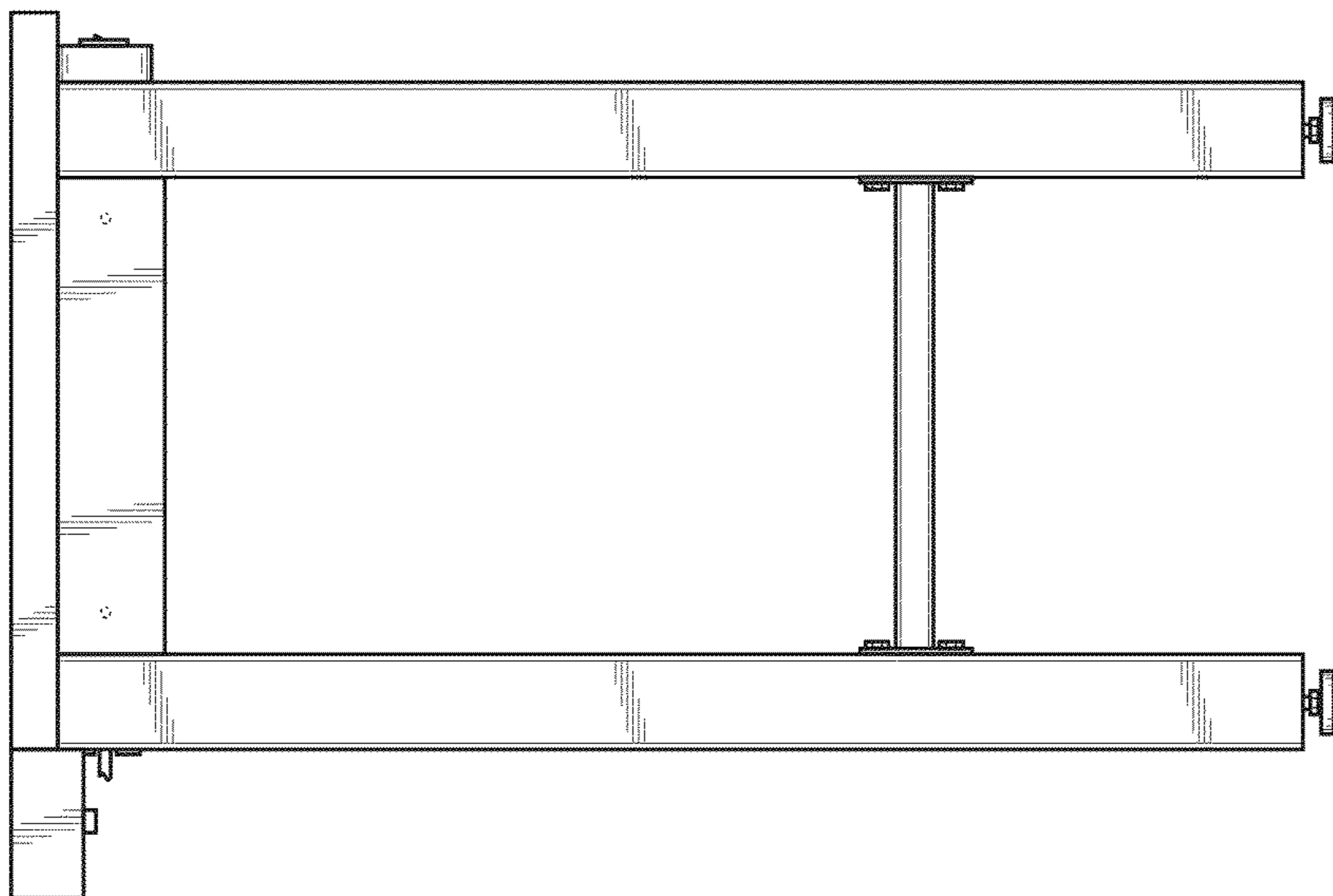


FIG. 18

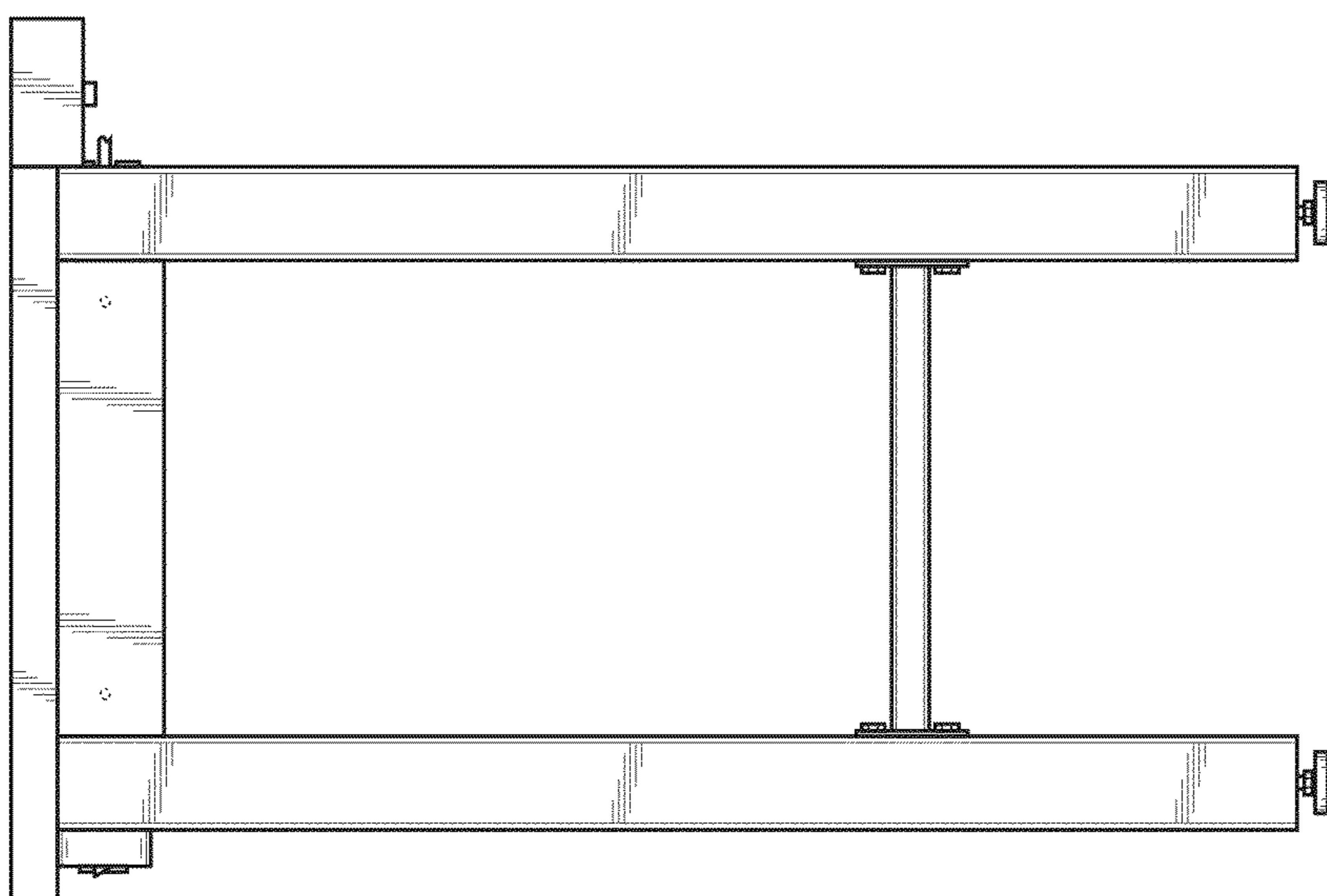


FIG. 19

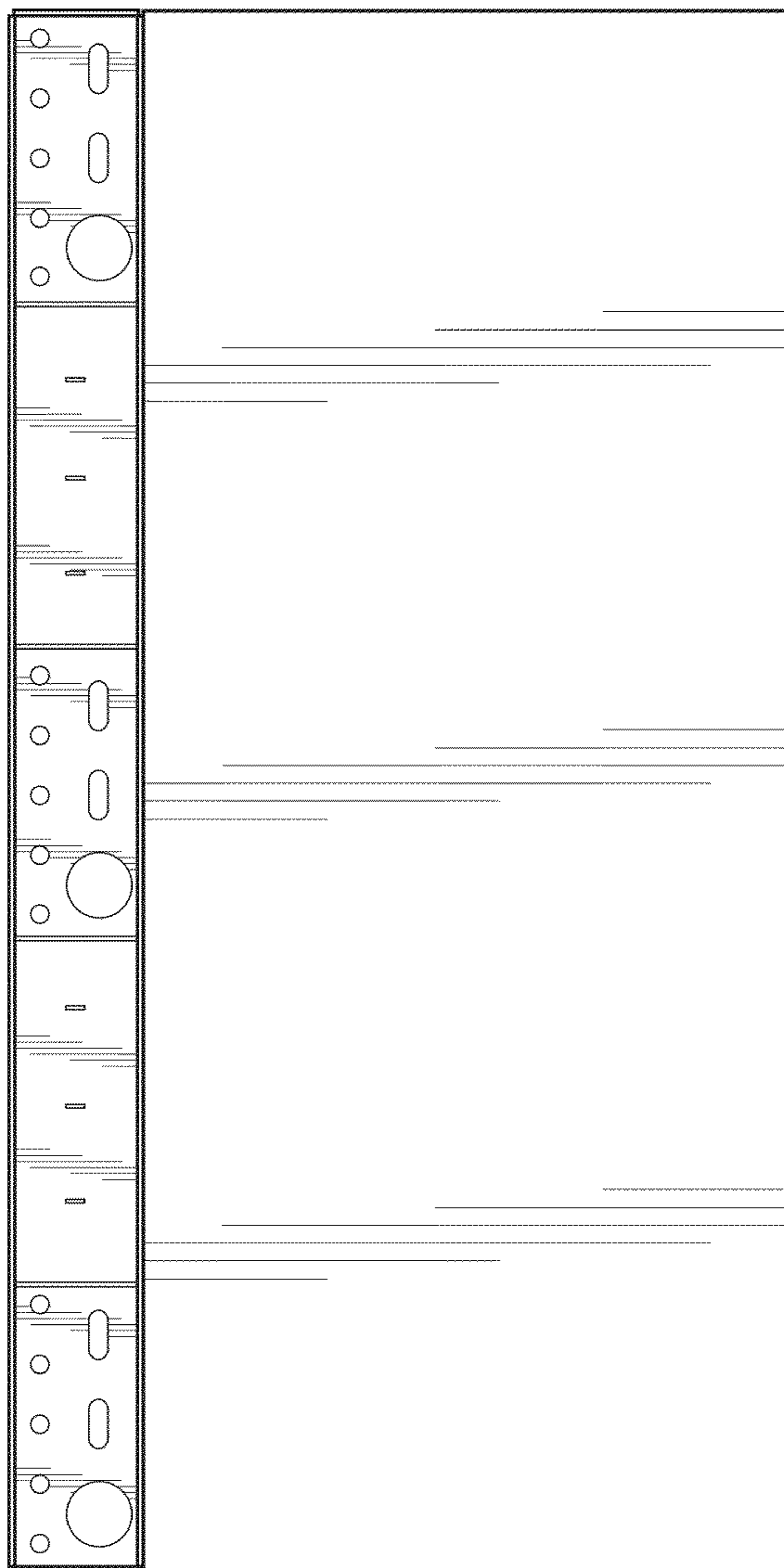


FIG. 20

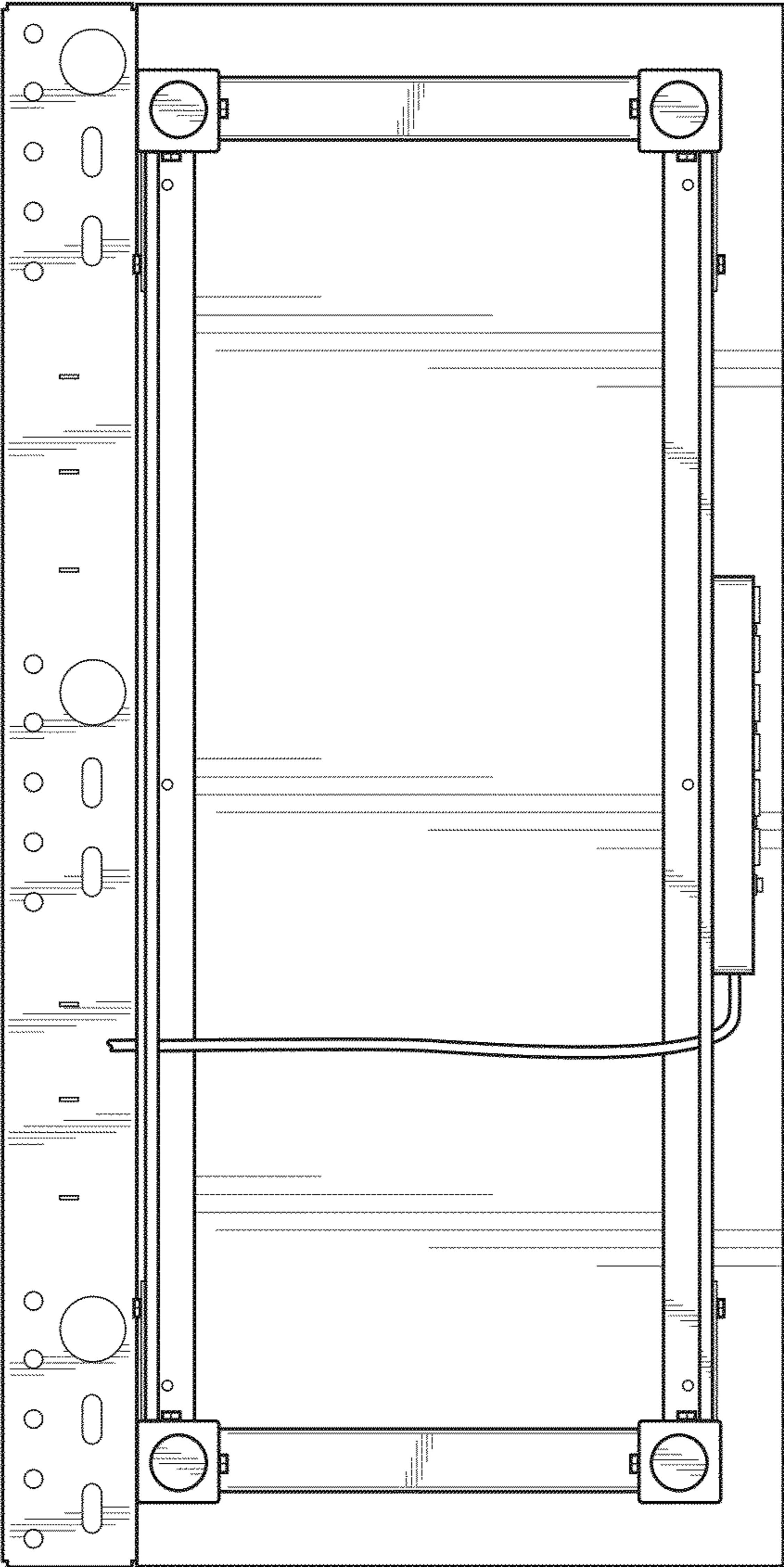


FIG. 21

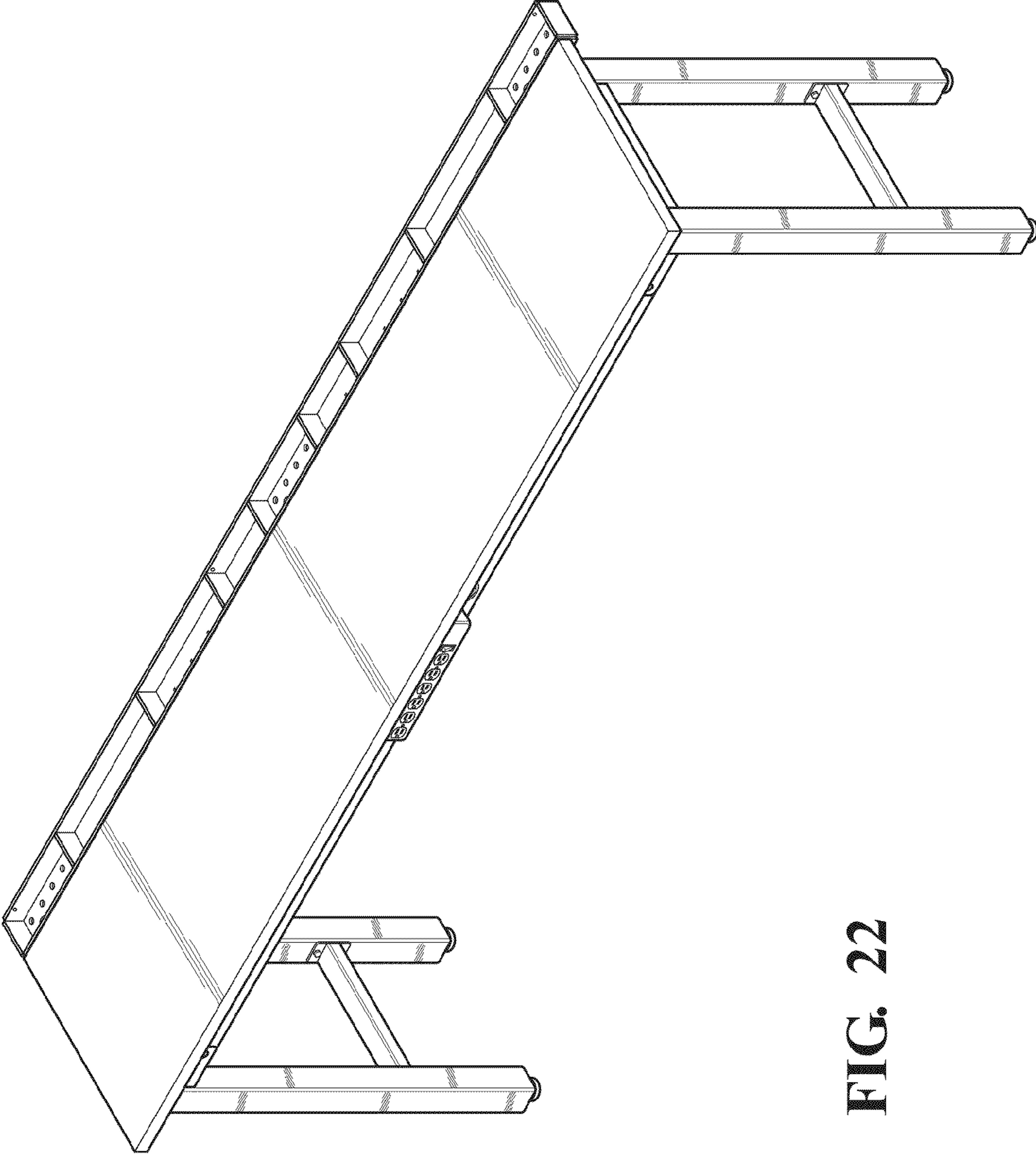


FIG. 22

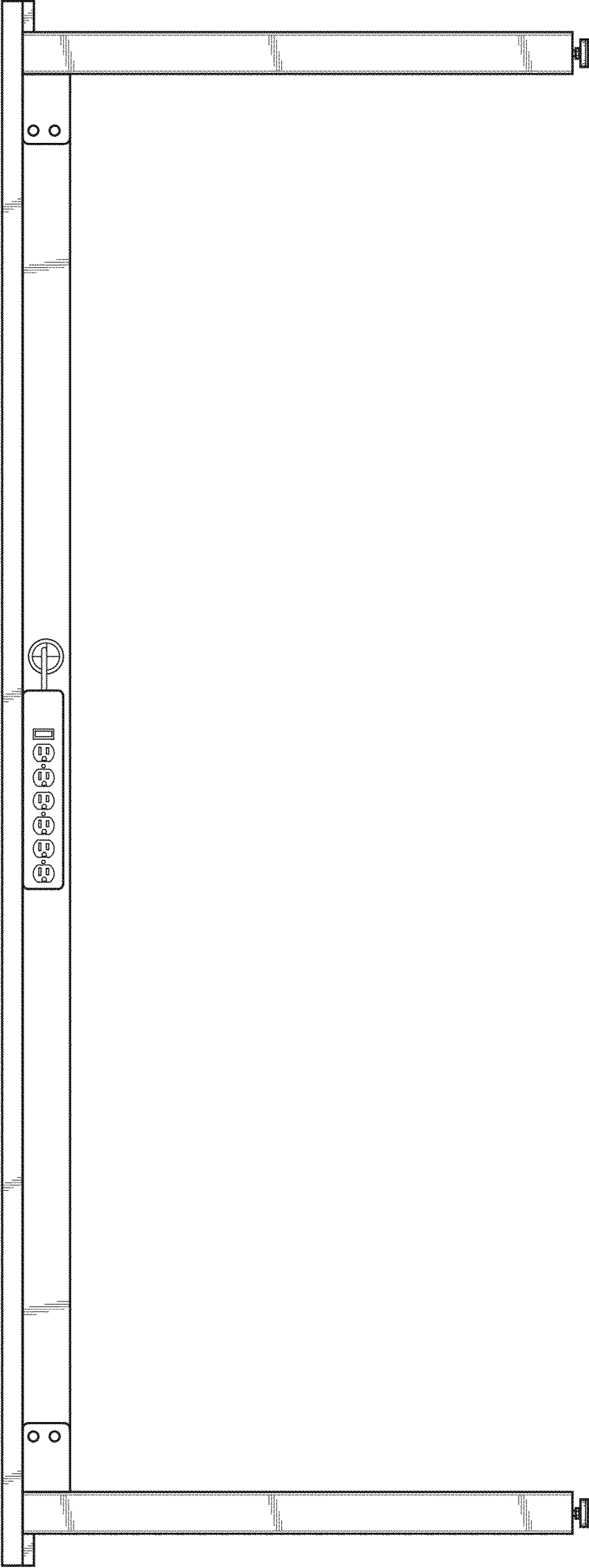


FIG. 23

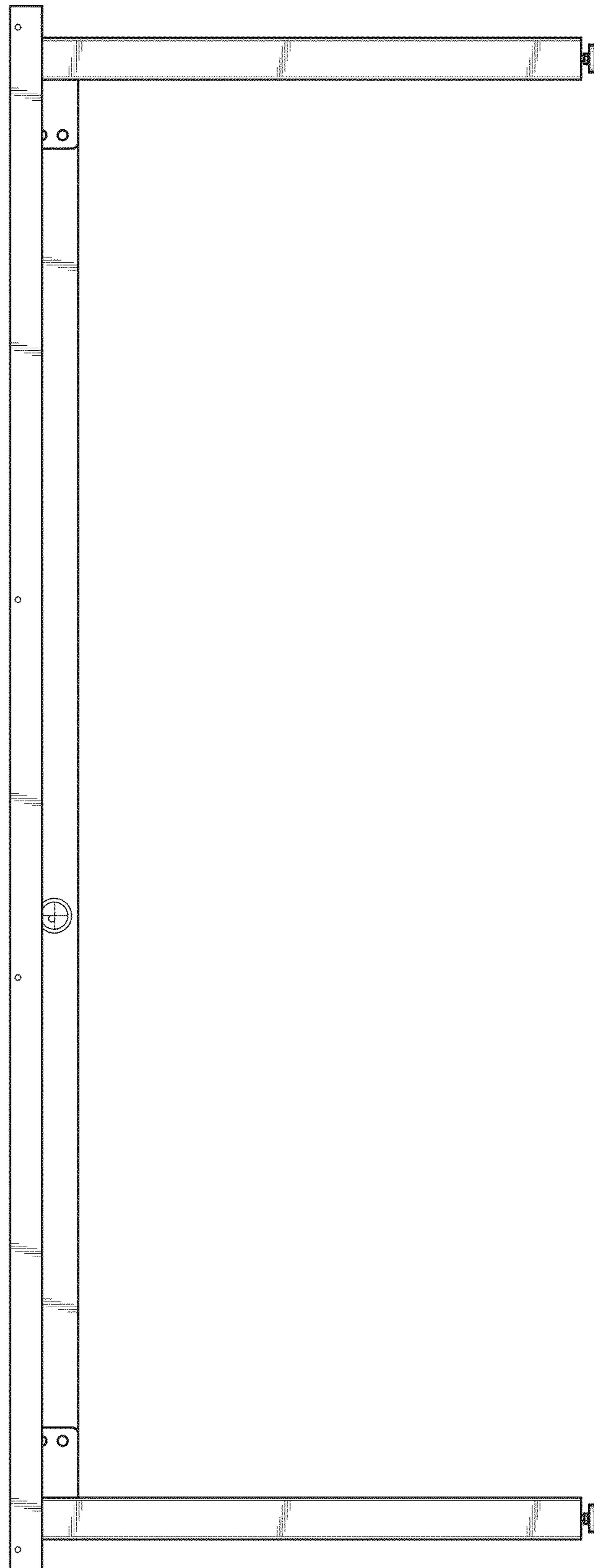


FIG. 24

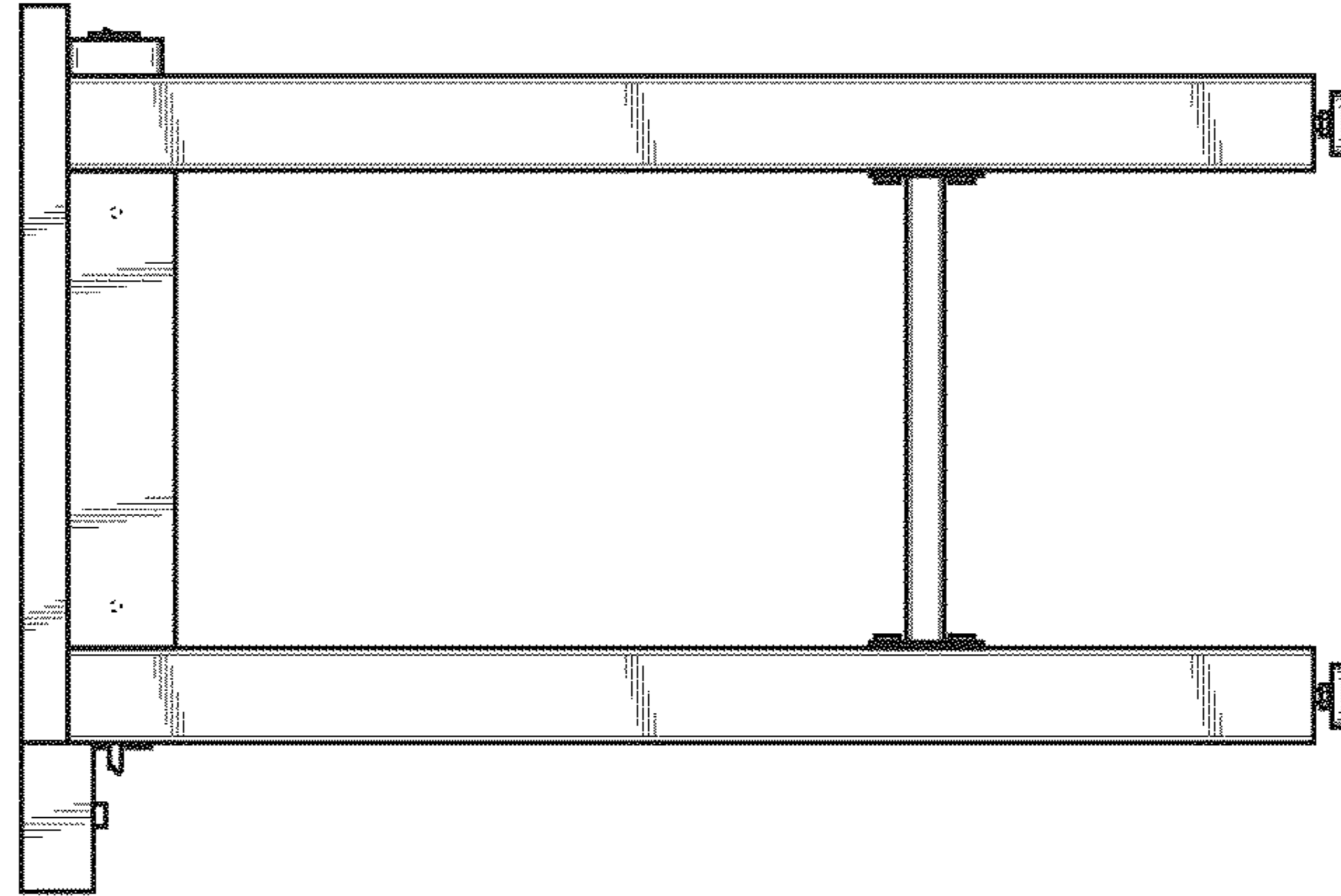


FIG. 26

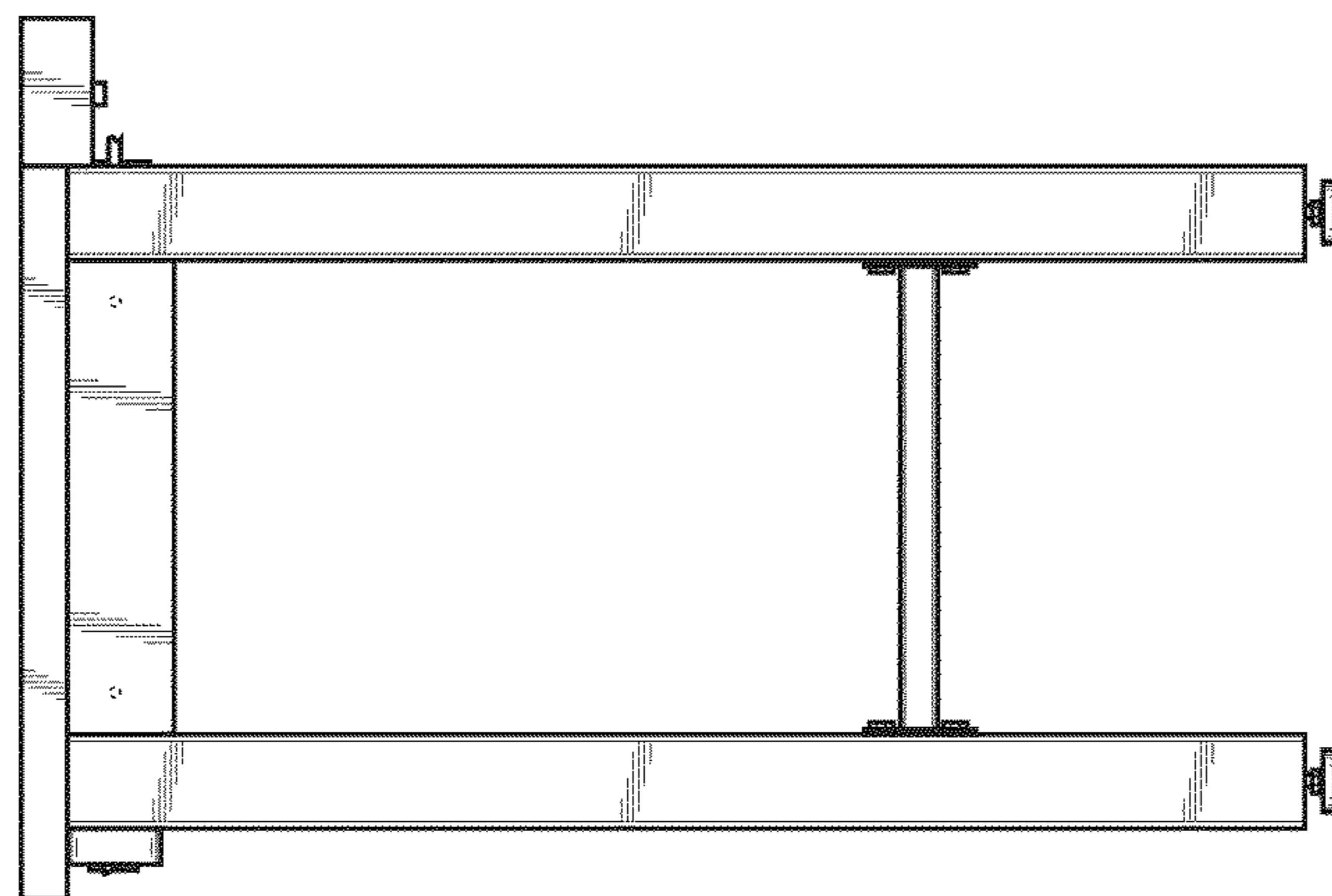


FIG. 25

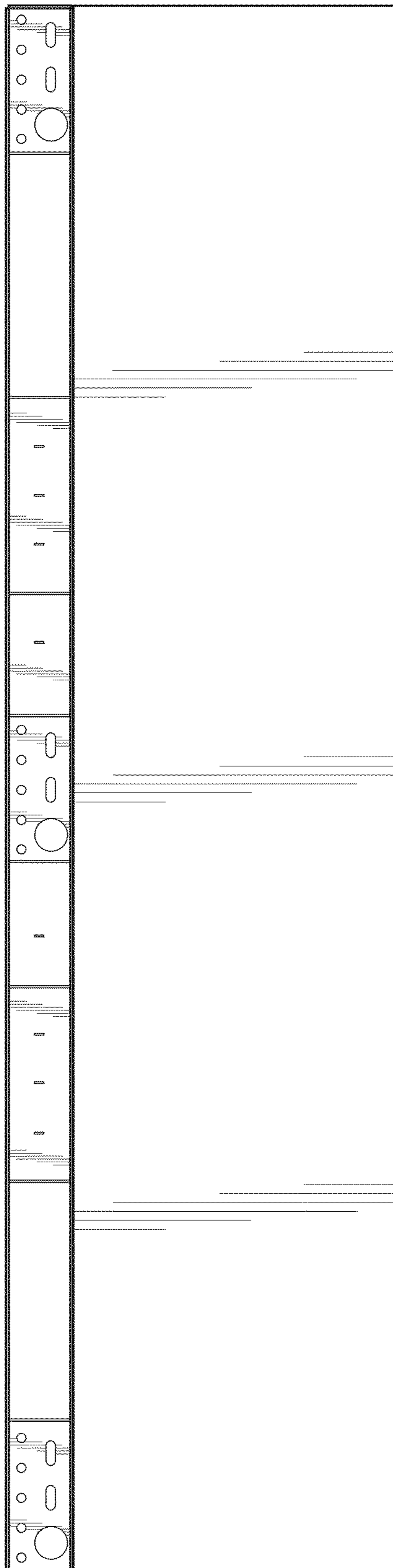


FIG. 27

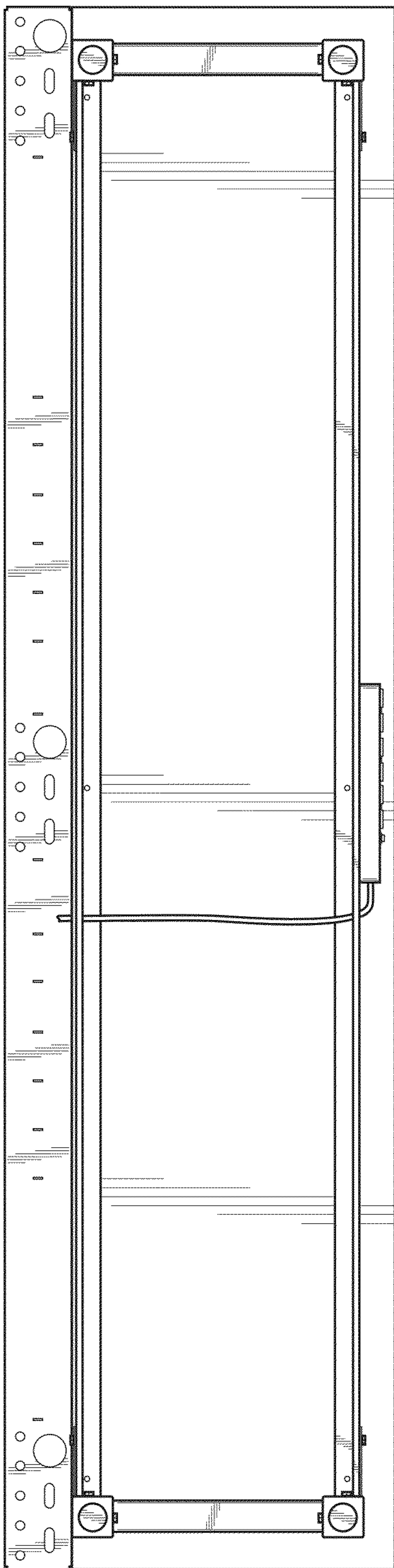


FIG. 28