

US00D756688S

(12) **United States Design Patent**  
**Mikesell**

(10) **Patent No.:** **US D756,688 S**

(45) **Date of Patent:** **\*\* May 24, 2016**

(54) **BED COVERING**

(71) Applicant: **Elizabeth Mikesell**, Riverton, UT (US)

(72) Inventor: **Elizabeth Mikesell**, Riverton, UT (US)

(73) Assignee: **BAE, LLC**, South Jordan, UT (US)

(\*\*) Term: **14 Years**

(21) Appl. No.: **29/480,679**

(22) Filed: **Jan. 28, 2014**

(51) **LOC (10) Cl.** ..... **06-13**

(52) **U.S. Cl.**  
USPC ..... **D6/603**

(58) **Field of Classification Search**  
USPC ..... D2/860, 861, 867; D5/60, 99; D6/582,  
D6/583, 585, 592, 595-597, 601-603, 608,  
D6/606, 610, 617; D25/125; 2/174; 5/495,  
5/497, 498

CPC ..... A41B 13/10; A41D 20/00; A41D 23/00;  
A47G 9/00; A47G 9/02; A47G 9/0207;  
A47G 9/0223; A47G 9/0238; A47G 9/0246;  
A47G 9/0261; A47G 9/0284; A47G 9/10;  
A47G 9/1081; A47K 7/03; A47K 7/022;  
A47K 10/02; A47L 19/00; A61B 19/08

See application file for complete search history.

(56) **References Cited**

**U.S. PATENT DOCUMENTS**

1,644,852 A \* 10/1927 Ness ..... 5/498  
1,972,919 A \* 9/1934 Chambless ..... 5/498

(Continued)

**FOREIGN PATENT DOCUMENTS**

AU 2013100545 B4 4/2013

**OTHER PUBLICATIONS**

U.S. Appl. 14/166,607, filed Jan. 28, 2014, Mikesell.

(Continued)

*Primary Examiner* — Karen S Acker

*Assistant Examiner* — Clare Ann Gannon

(74) *Attorney, Agent, or Firm* — Keller Jolley Preece

(57) **CLAIM**

I claim the ornamental design for a bed covering, as shown and described.

**DESCRIPTION**

FIG. 1 is a perspective view of a first embodiment of a bed covering shown in a position of use on a bed with a child showing our new design.

FIG. 2 is a perspective view of the bed covering of FIG. 1, wherein the side panels of the top portion are folded under the top.

FIG. 3 is a perspective view thereof, wherein the side panels of the top portion are unfolded.

FIG. 4 is a bottom view of the bed covering;

FIG. 5 is a top view thereof.

FIG. 6 is a first end view thereof.

FIG. 7 is a second end view thereof.

FIG. 8 is a first side view thereof.

FIG. 9 is a second side view thereof.

FIG. 10 is a perspective view of a second embodiment of the bed covering shown in a position of use on a bed showing our new design, wherein the side panels of the top portion are folded under the top.

FIG. 11 is a perspective view thereof wherein the side panels of the top portion are unfolded.

FIG. 12 is a bottom view of the second embodiment of the bed covering;

FIG. 13 is a top view thereof.

FIG. 14 is a first end view thereof.

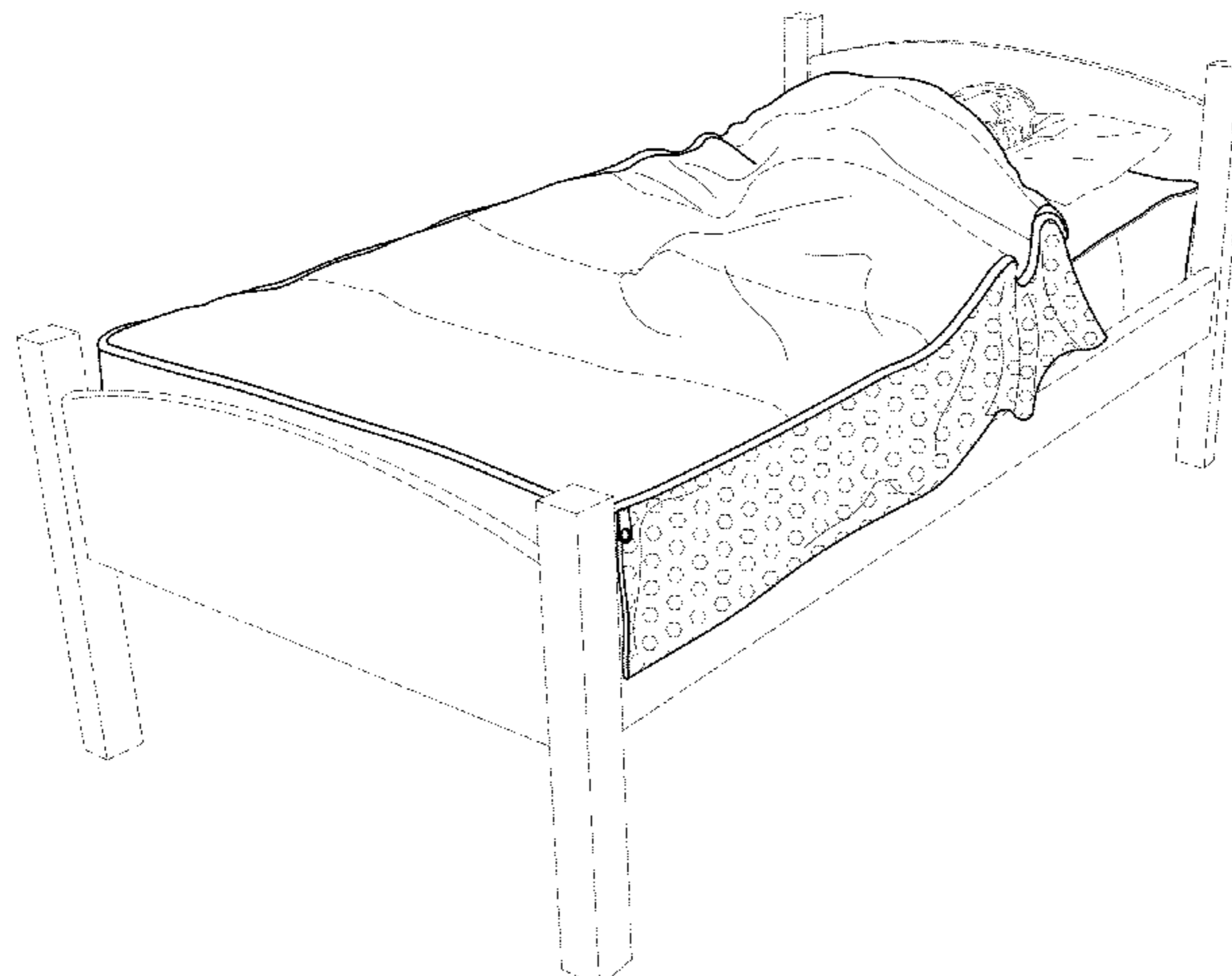
FIG. 15 is a second end view thereof.

FIG. 16 is a first side view thereof; and,

FIG. 17 is a second side view thereof.

The dot-dash-dot broken lines depict unclaimed environment included to show the bed covering in a position of use. All other broken lines illustrate features of the bed covering that form no part of the claimed design.

**1 Claim, 13 Drawing Sheets**



(56)

References Cited

U.S. PATENT DOCUMENTS

2,139,980 A \* 12/1938 Simon ..... 5/493  
 3,530,487 A 9/1970 Beer  
 3,857,124 A 12/1974 Hadley  
 4,161,044 A 7/1979 Bogle  
 4,241,466 A \* 12/1980 Mendyk ..... 5/497  
 4,266,308 A 5/1981 Shatz  
 4,292,700 A \* 10/1981 Markel ..... 5/413 R  
 4,304,018 A \* 12/1981 McClam ..... 5/494  
 D267,696 S \* 1/1983 Adams ..... D6/602  
 4,658,454 A 4/1987 Potter  
 4,924,543 A 5/1990 Hoss et al.  
 5,020,177 A \* 6/1991 Etherington ..... 5/496  
 D323,442 S \* 1/1992 Trader ..... D6/602  
 5,084,929 A 2/1992 Staudinger  
 5,118,553 A \* 6/1992 Boisson ..... 428/99  
 D348,348 S \* 7/1994 Lawson ..... D2/719  
 5,566,411 A 10/1996 Eiler  
 D376,720 S \* 12/1996 Thode et al. .... D6/603  
 5,666,680 A 9/1997 Hackett, Jr.  
 D385,144 S \* 10/1997 Kozole et al. .... D6/602  
 6,044,503 A \* 4/2000 McClendon ..... 5/482  
 6,098,219 A \* 8/2000 Milber ..... 5/494  
 6,108,836 A \* 8/2000 Keene, III ..... 5/497  
 D433,865 S \* 11/2000 Willbanks ..... D6/602  
 6,286,162 B1 9/2001 Huart  
 6,490,741 B1 12/2002 Wheeler  
 D477,959 S \* 8/2003 Shunk ..... D6/602  
 7,047,580 B2 5/2006 Finn  
 7,086,102 B1 \* 8/2006 Frazier ..... 5/502  
 7,260,858 B2 \* 8/2007 Cushing ..... 5/497

7,487,560 B2 \* 2/2009 McGrath et al. .... 5/488  
 7,487,561 B2 2/2009 Ho  
 D593,788 S \* 6/2009 Thompson ..... D6/602  
 8,122,541 B1 2/2012 Georgatos  
 8,656,535 B1 2/2014 Adorney  
 8,950,024 B1 2/2015 Hudson  
 9,149,136 B2 10/2015 Mikesell  
 2001/0032358 A1 10/2001 Talley-Williams  
 2004/0200000 A1 \* 10/2004 Harbin et al. .... 5/497  
 2006/0168726 A1 \* 8/2006 Cushing ..... 5/497  
 2007/0000053 A1 1/2007 Yang  
 2007/0101496 A1 \* 5/2007 Ho ..... 5/497  
 2007/0214569 A1 \* 9/2007 Miller ..... 5/482  
 2009/0044337 A1 2/2009 McKee  
 2010/0064435 A1 3/2010 Stuart  
 2010/0107336 A1 5/2010 Ross  
 2010/0154119 A1 6/2010 Shuttleworth  
 2010/0154122 A1 6/2010 Crispino et al.  
 2010/0251482 A1 10/2010 MacDonald  
 2010/0306920 A1 12/2010 Balasundharam  
 2012/0167306 A1 7/2012 MacDonald  
 2013/0269107 A1 10/2013 Fiene  
 2013/0278431 A1 10/2013 Shilts et al.

OTHER PUBLICATIONS

U.S. Appl. No. 14/166,607, filed Mar. 21, 2014, Office Action.  
 U.S. Appl. No. 14/166,607, Mar. 21, 2014, Office Action.  
 U.S. Appl. No. 14/166,607, Dec. 1, 2014, Office Action.  
 U.S. Appl. No. 14/166,607, Apr. 3, 2015, Office Action.  
 U.S. Appl. No. 14/166,607, Jun. 25, 2015, Office Action.  
 U.S. Appl. No. 14/840,278, filed Aug. 31, 2015, Mikesell.

\* cited by examiner

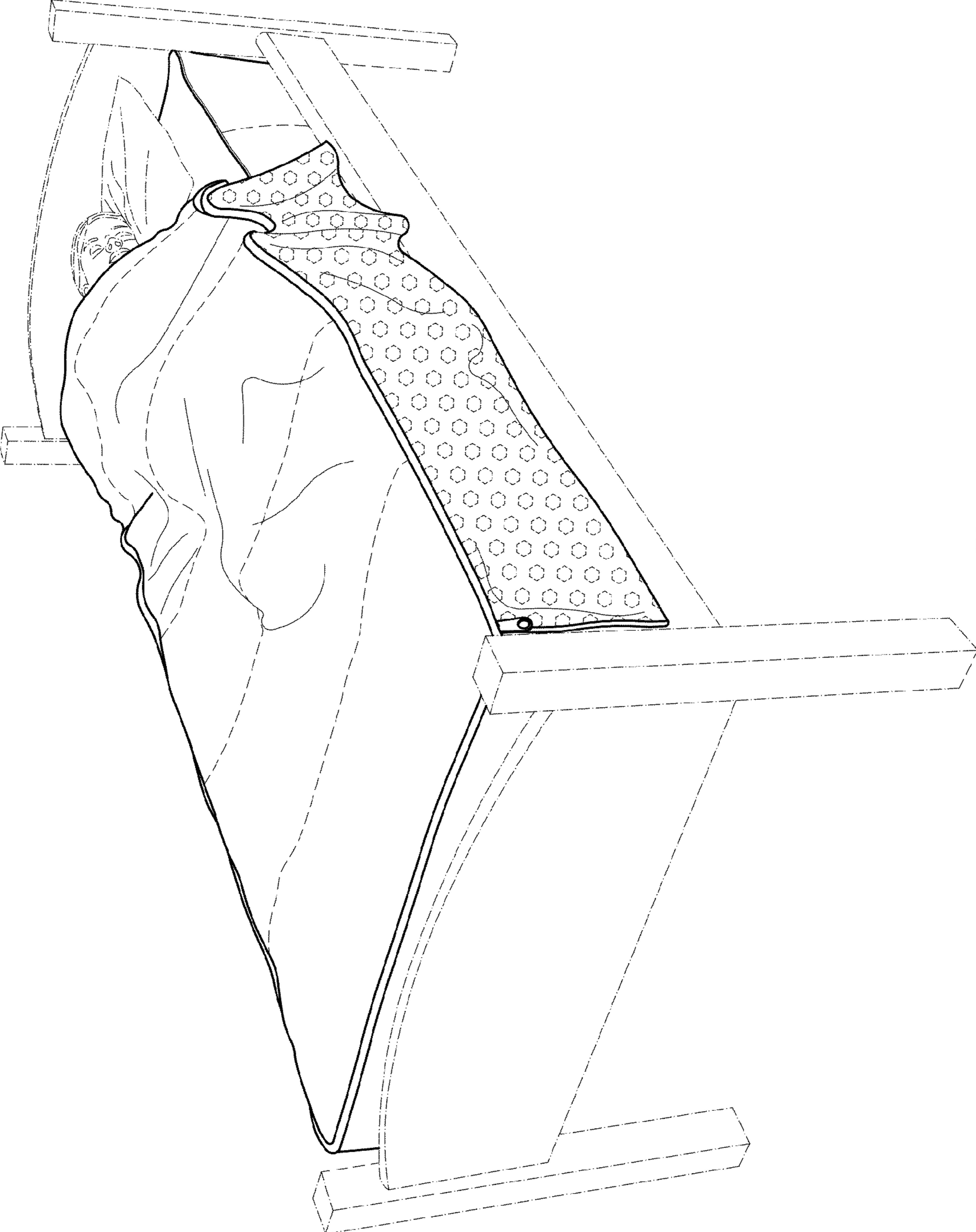


Fig. 1

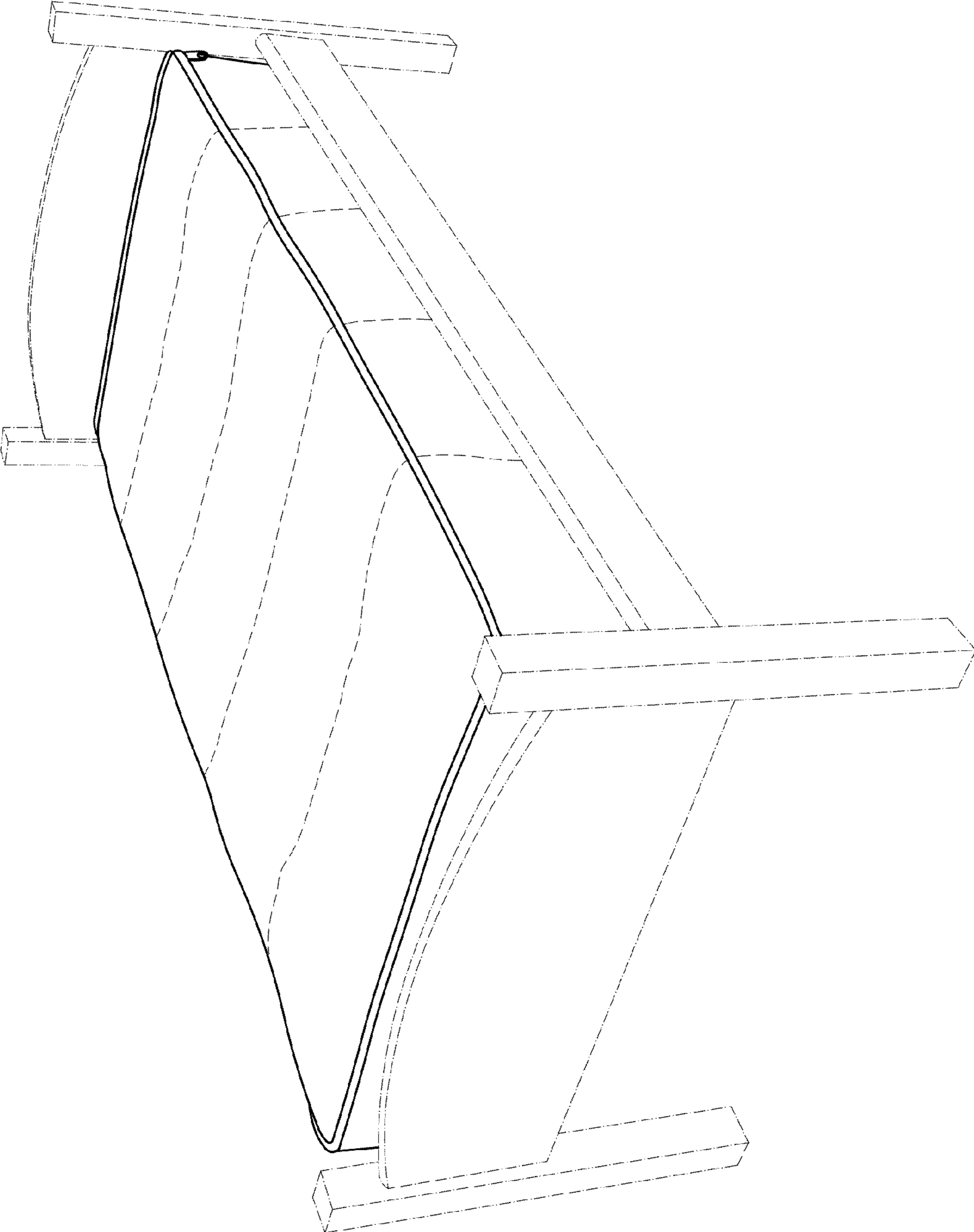


Fig. 2

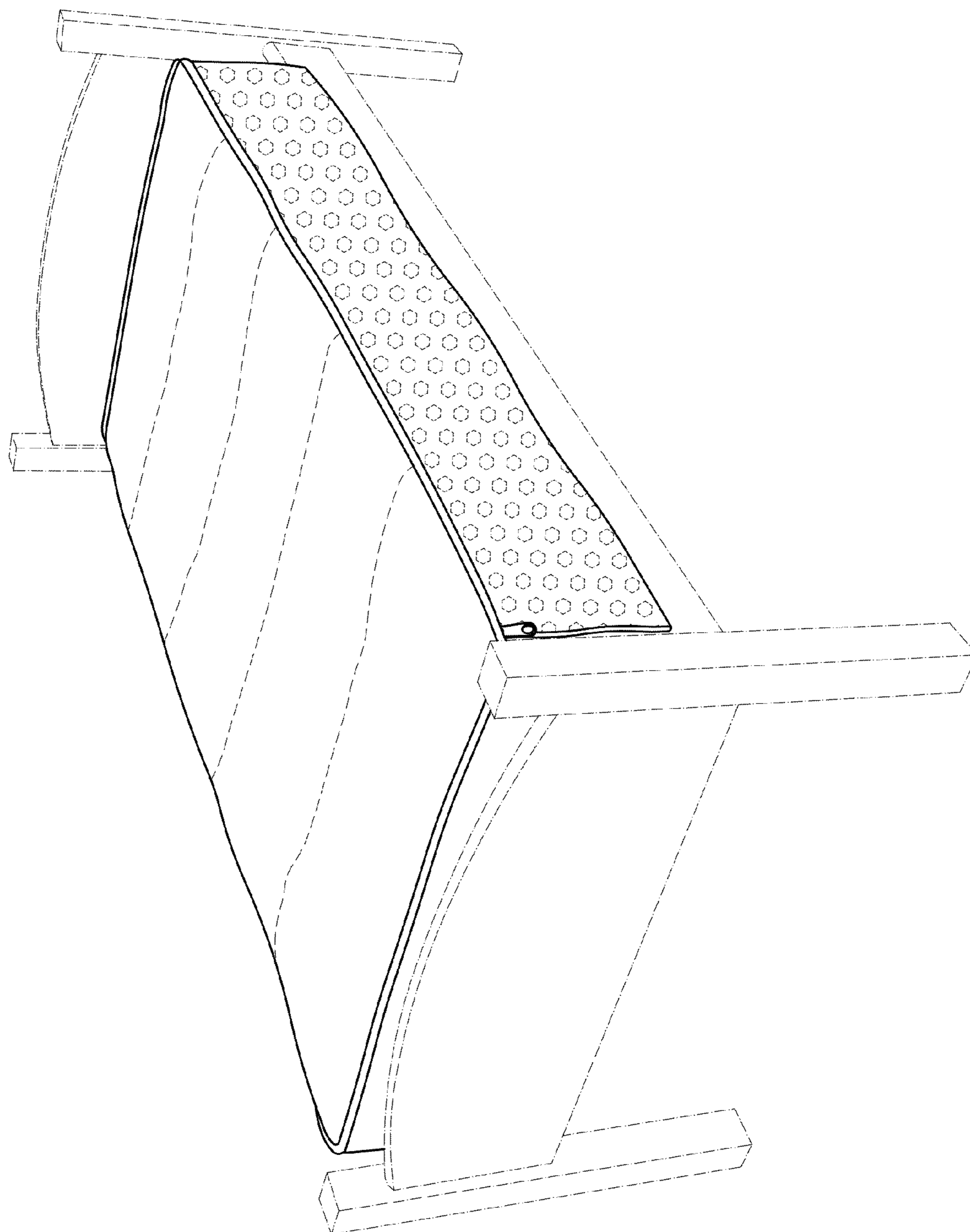


Fig. 3

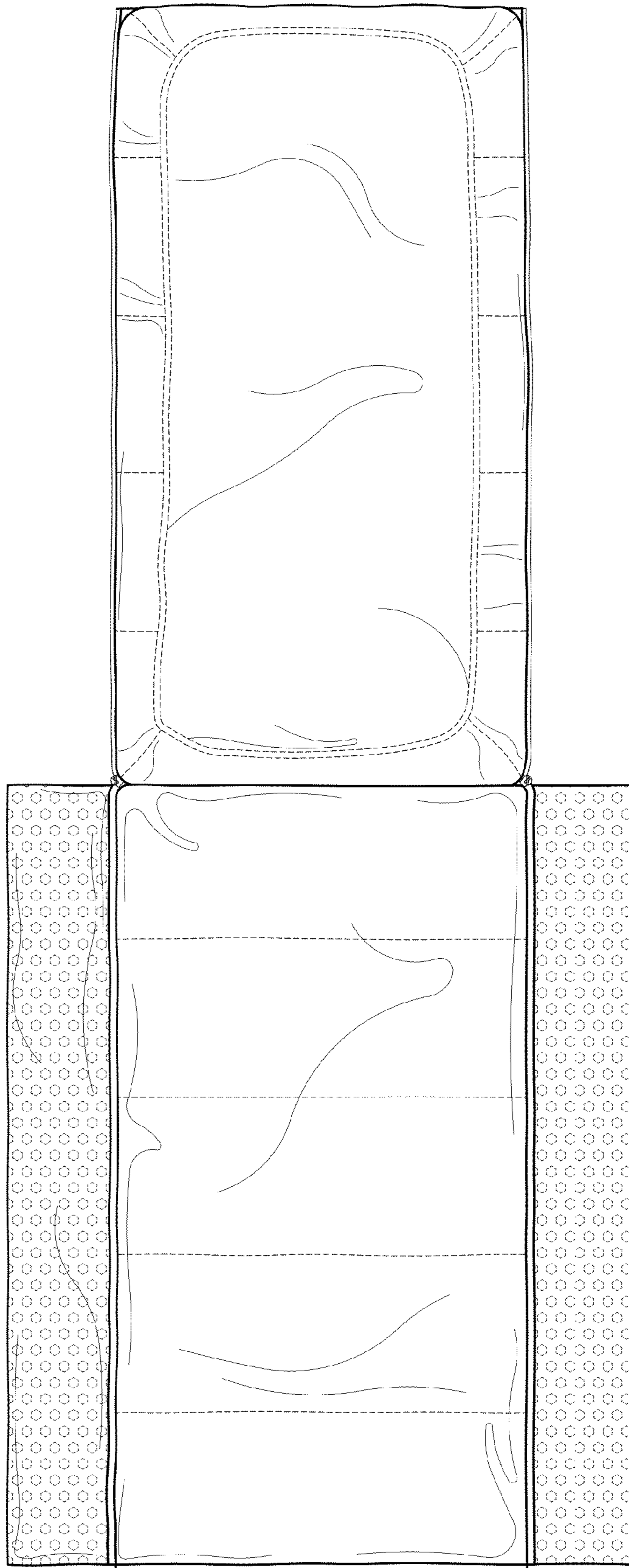


Fig. 4

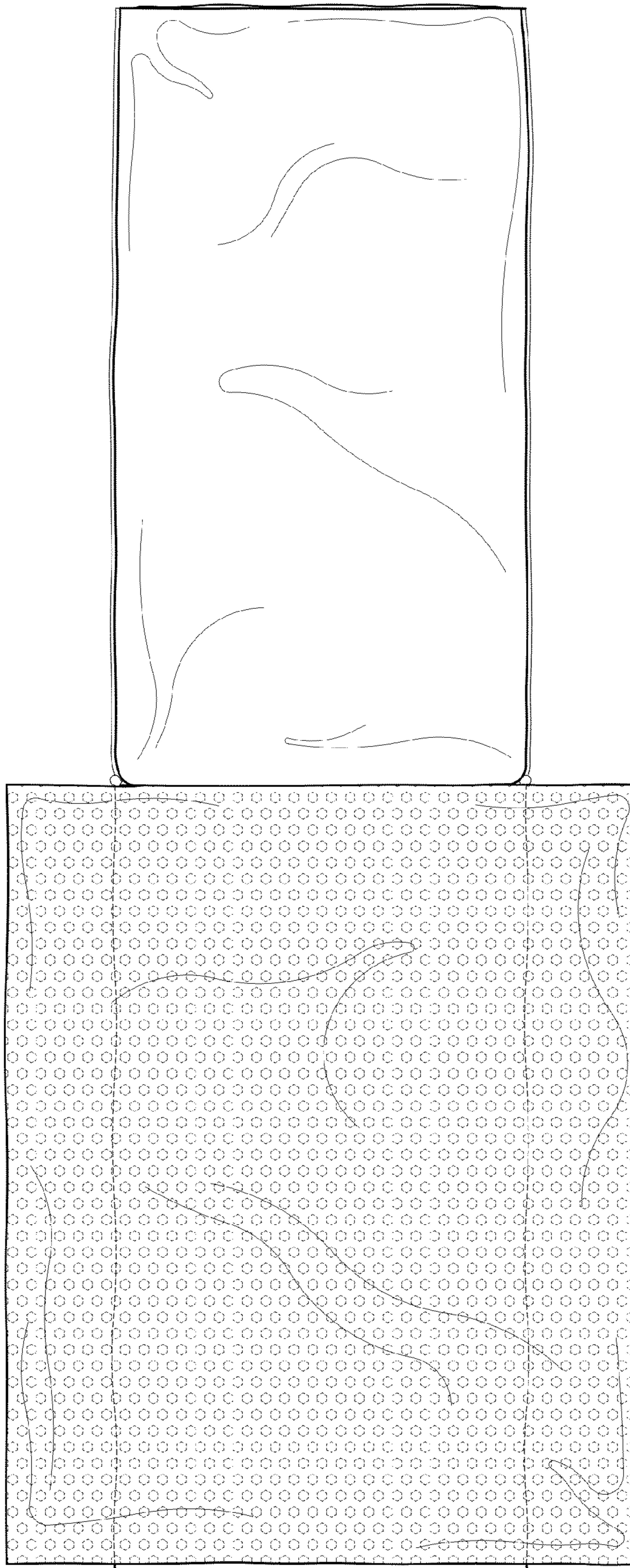
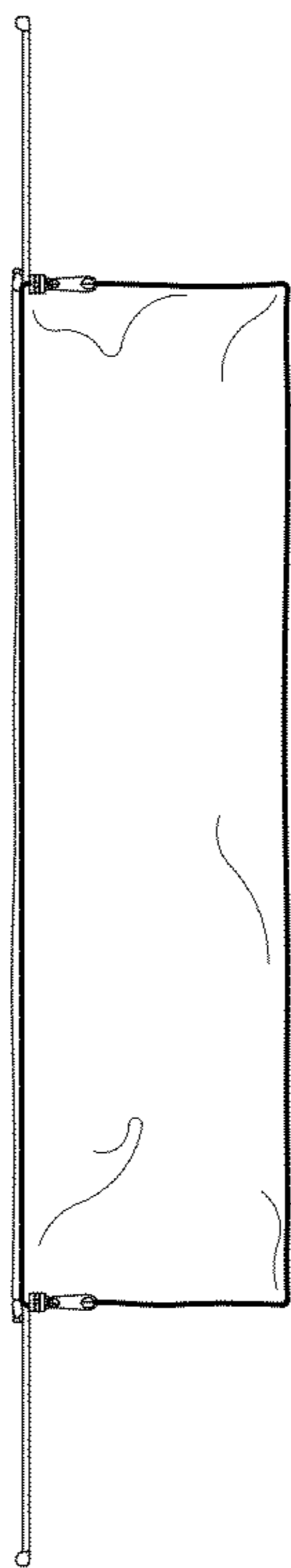
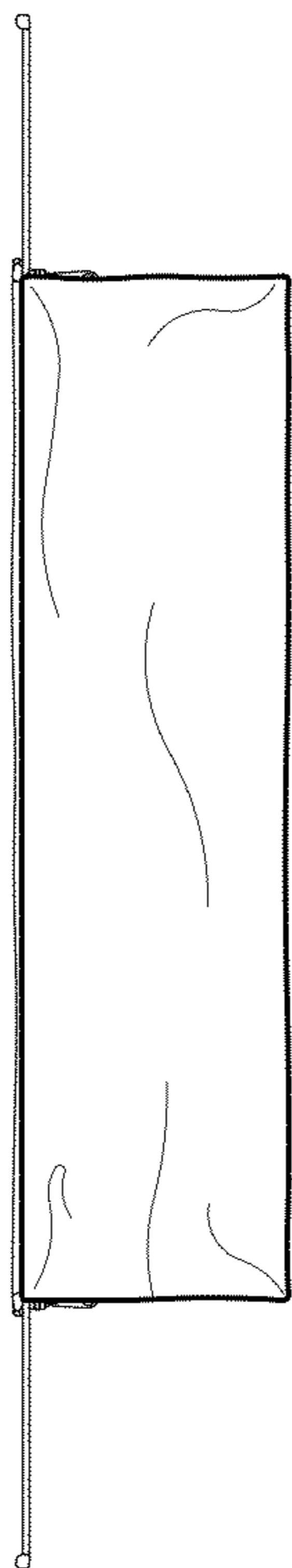


Fig. 5



*Fig. 7*



*Fig. 6*



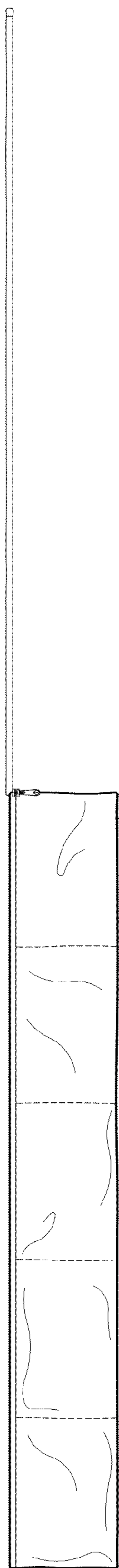


Fig. 8

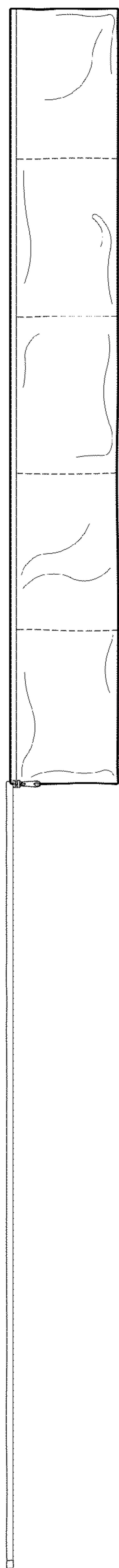


Fig. 9

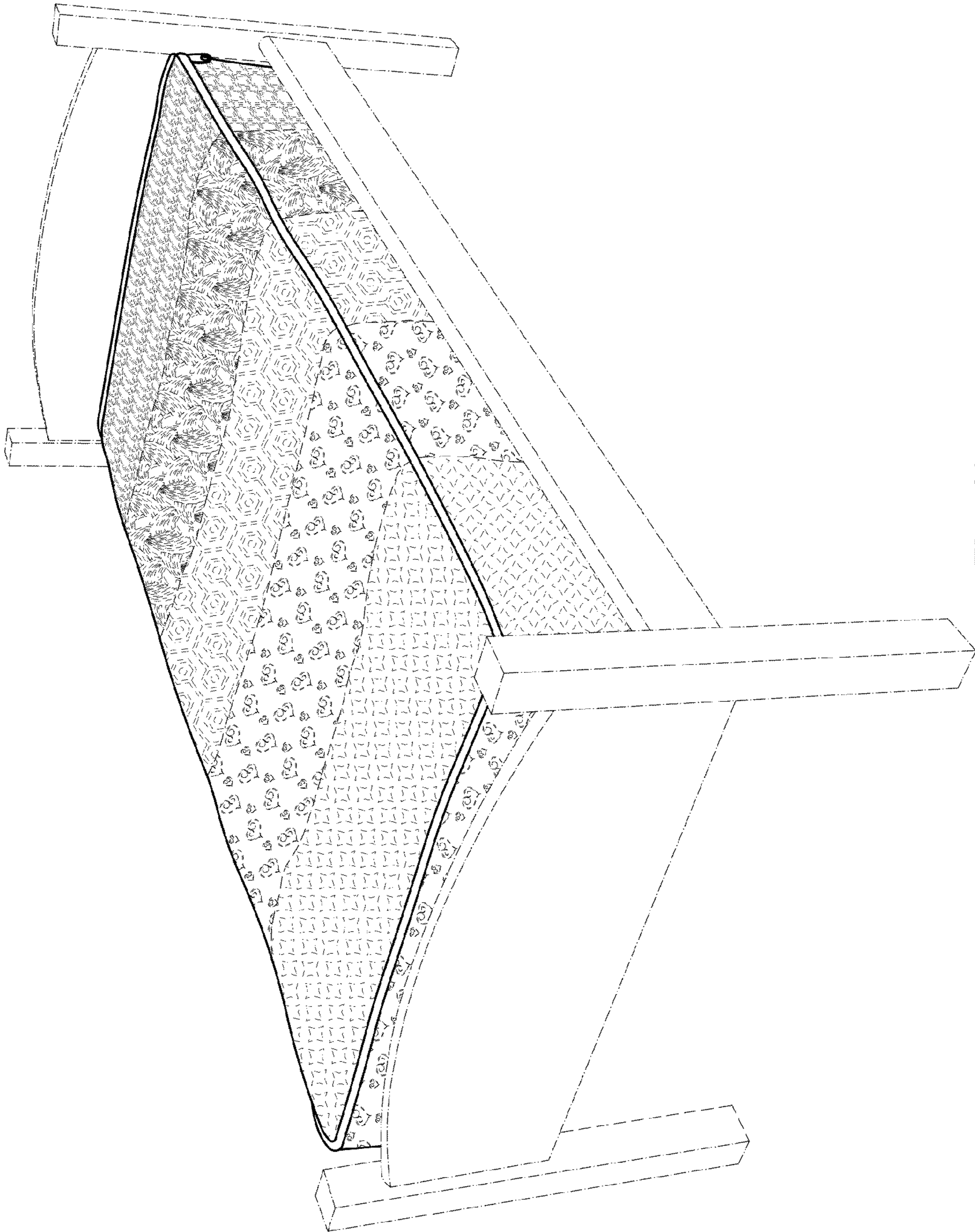


Fig. 10

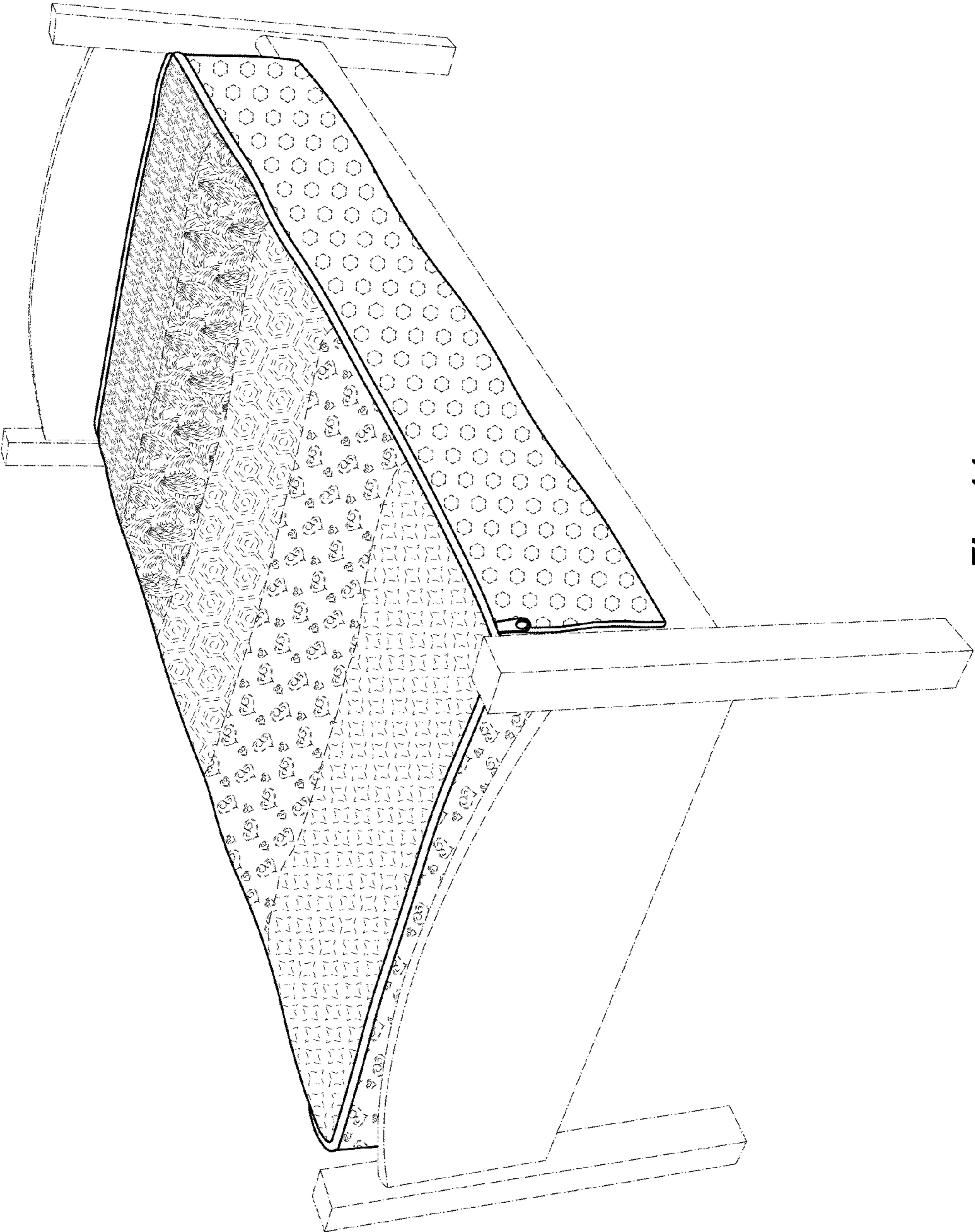


Fig. 11

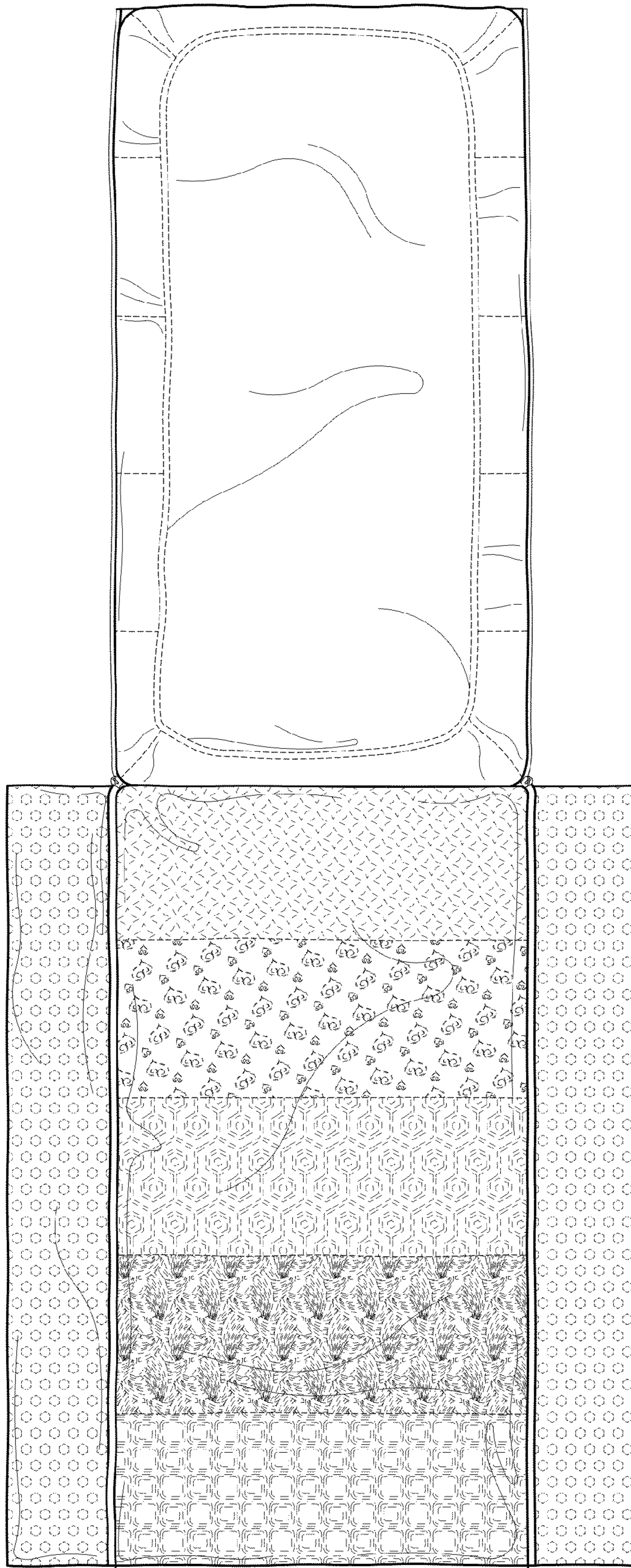


Fig. 12

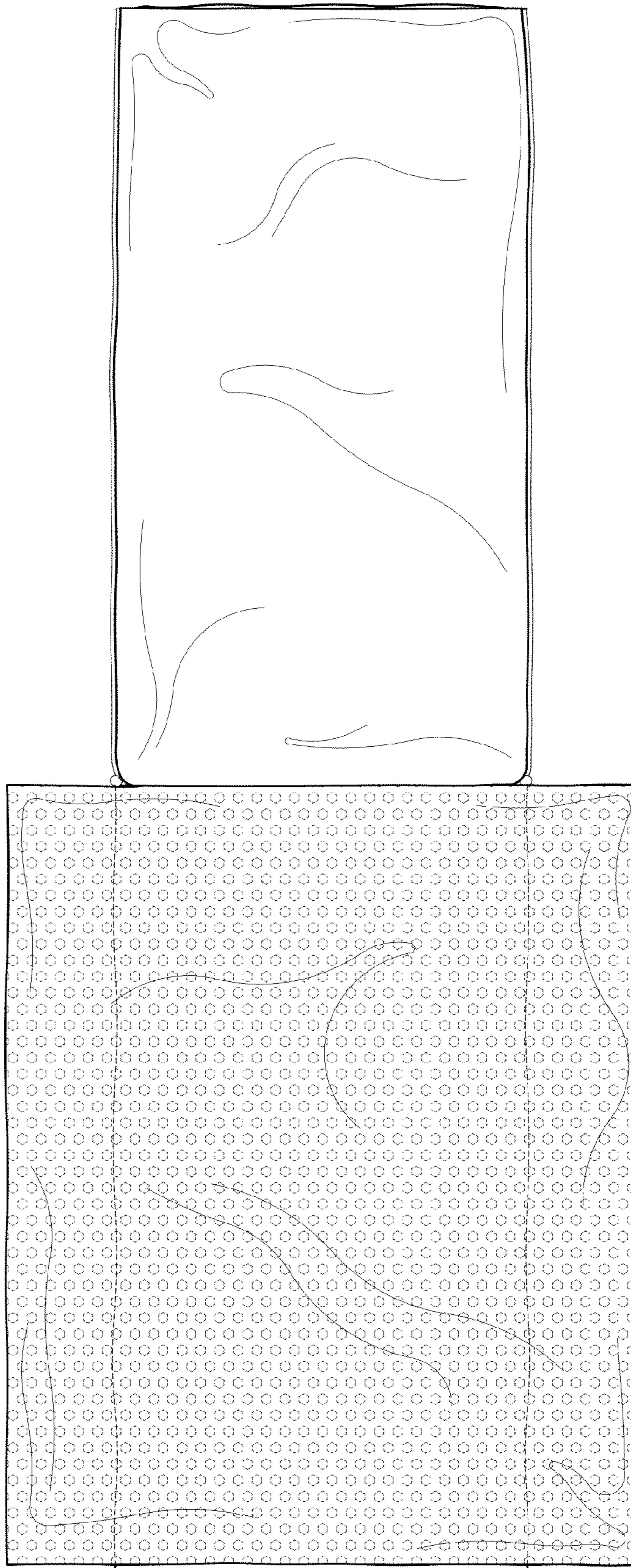
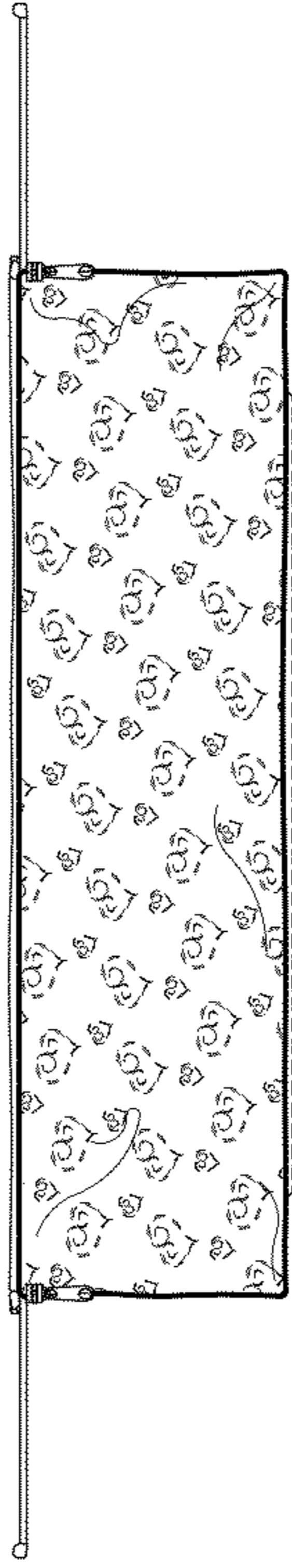
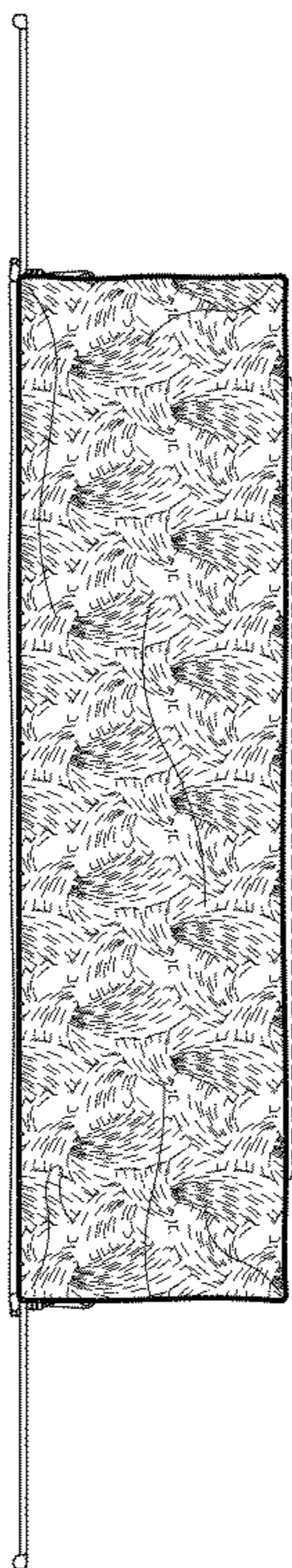


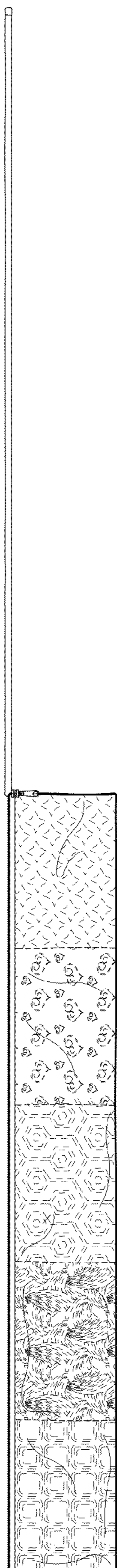
Fig. 13



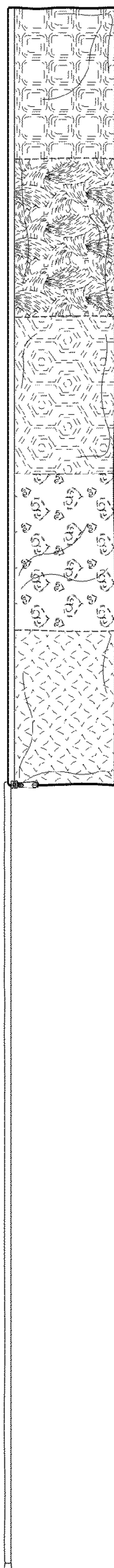
**Fig. 15**



**Fig. 14**



**Fig. 16**



**Fig. 17**