

US00D756686S

(12) **United States Design Patent**
Calkins

(10) **Patent No.:** **US D756,686 S**

(45) **Date of Patent:** **** *May 24, 2016**

(54) **TRANSLUCENT MAT WITH DIAMOND PATTERN**

(56) **References Cited**

U.S. PATENT DOCUMENTS

(71) Applicant: **Kittrich Corporation**, La Mirada, CA (US)

1,160,384 A	11/1915	Crane	
1,241,886 A	10/1917	Rowe	
1,579,016 A	3/1926	Marks	
2,205,802 A	6/1940	Scheidemantel et al.	
3,100,312 A	8/1963	Williams	
3,143,208 A	8/1964	Sizemore	
3,148,482 A	9/1964	Neale	
3,706,636 A	12/1972	Bride	
3,909,996 A	10/1975	Ettlinger et al.	
4,070,515 A	1/1978	Smarook	
D270,801 S	10/1983	Curatolo	
D274,998 S	8/1984	Johansson	
D313,319 S	1/1991	Legare	
5,018,232 A *	5/1991	Sachetti	5/482
5,021,277 A *	6/1991	Fan	428/76
5,160,785 A	11/1992	Davidson, Jr.	
5,198,275 A	3/1993	Klein	
D390,288 S *	2/1998	Fingleson et al.	D21/686
6,007,886 A	12/1999	Takigami	

(72) Inventor: **Mark A Calkins**, La Mirada, CA (US)

(73) Assignee: **KITTRICH CORPORATION**,
Pomona, CA (US)

(*) Notice: This patent is subject to a terminal disclaimer.

(**) Term: **14 Years**

(21) Appl. No.: **29/475,375**

(22) Filed: **Dec. 3, 2013**

(Continued)

Related U.S. Application Data

(62) Division of application No. 29/414,776, filed on Mar. 2, 2012, now Pat. No. Des. 694,551.

(51) **LOC (10) Cl.** **06-11**

(52) **U.S. Cl.**
USPC **D6/582**

(58) **Field of Classification Search**
USPC D5/15, 25, 43, 46, 58, 60, 61; D6/581, D6/582, 583, 592, 594, 613, 615, 616, 618, D6/622; D12/203; 4/581, 582; 5/417, 420; 15/215, 238; 428/46; 482/23, 91, 140, 482/141, 142, 148; 296/97.23
CPC A47G 27/0212; A47G 27/0218; A47G 27/0237; A47G 27/0243; A47G 27/0306; A63B 6/00; A63B 21/1473; A63B 2071/0694; A47L 23/00

See application file for complete search history.

Primary Examiner — Eric Goodman

Assistant Examiner — Amy Wierenga

(74) *Attorney, Agent, or Firm* — Leason Ellis LLP

(57) **CLAIM**

The ornamental design for a translucent mat with diamond pattern, as shown and described.

DESCRIPTION

FIG. 1 is a top plan view of the translucent mat with diamond pattern;

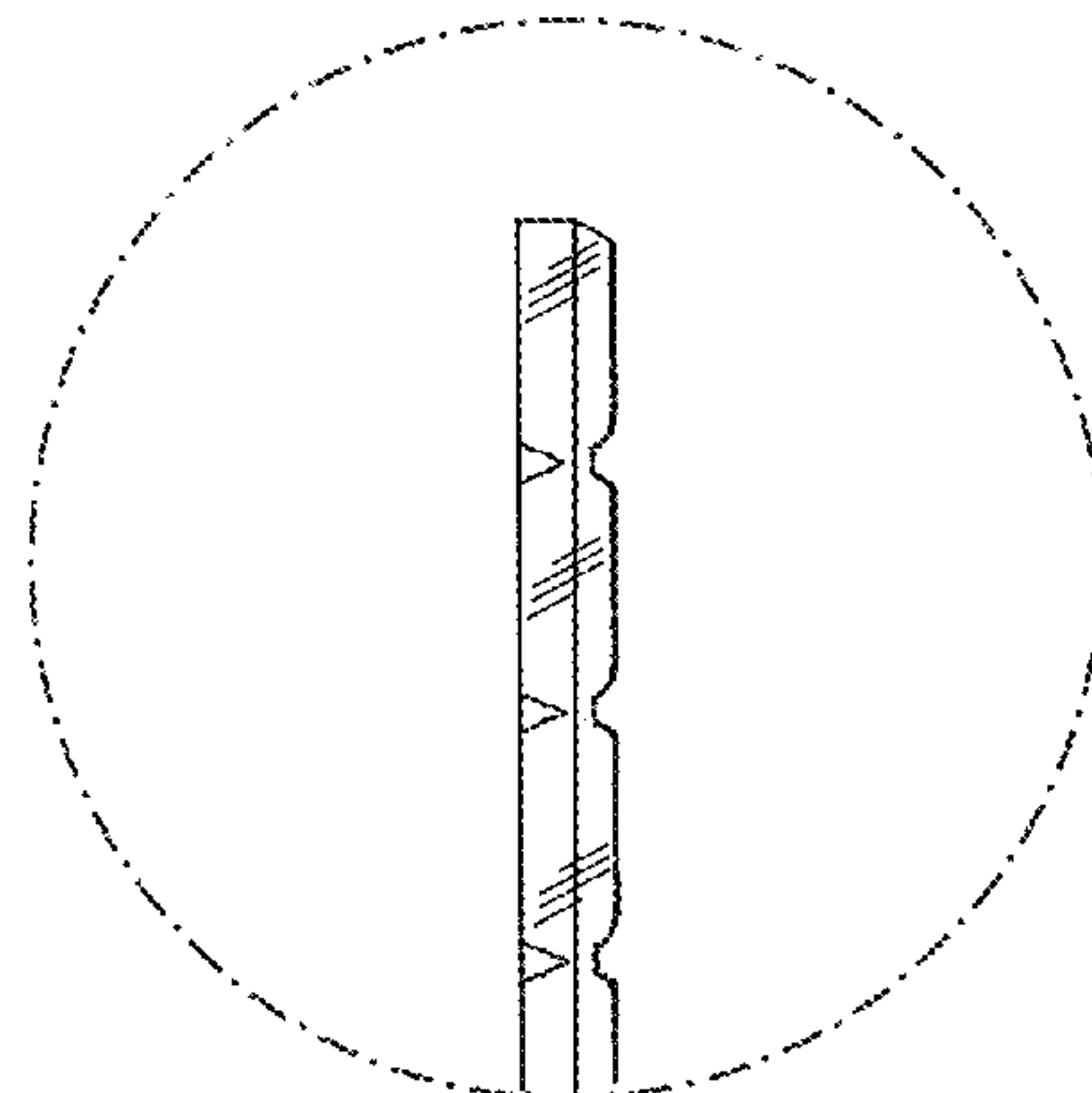
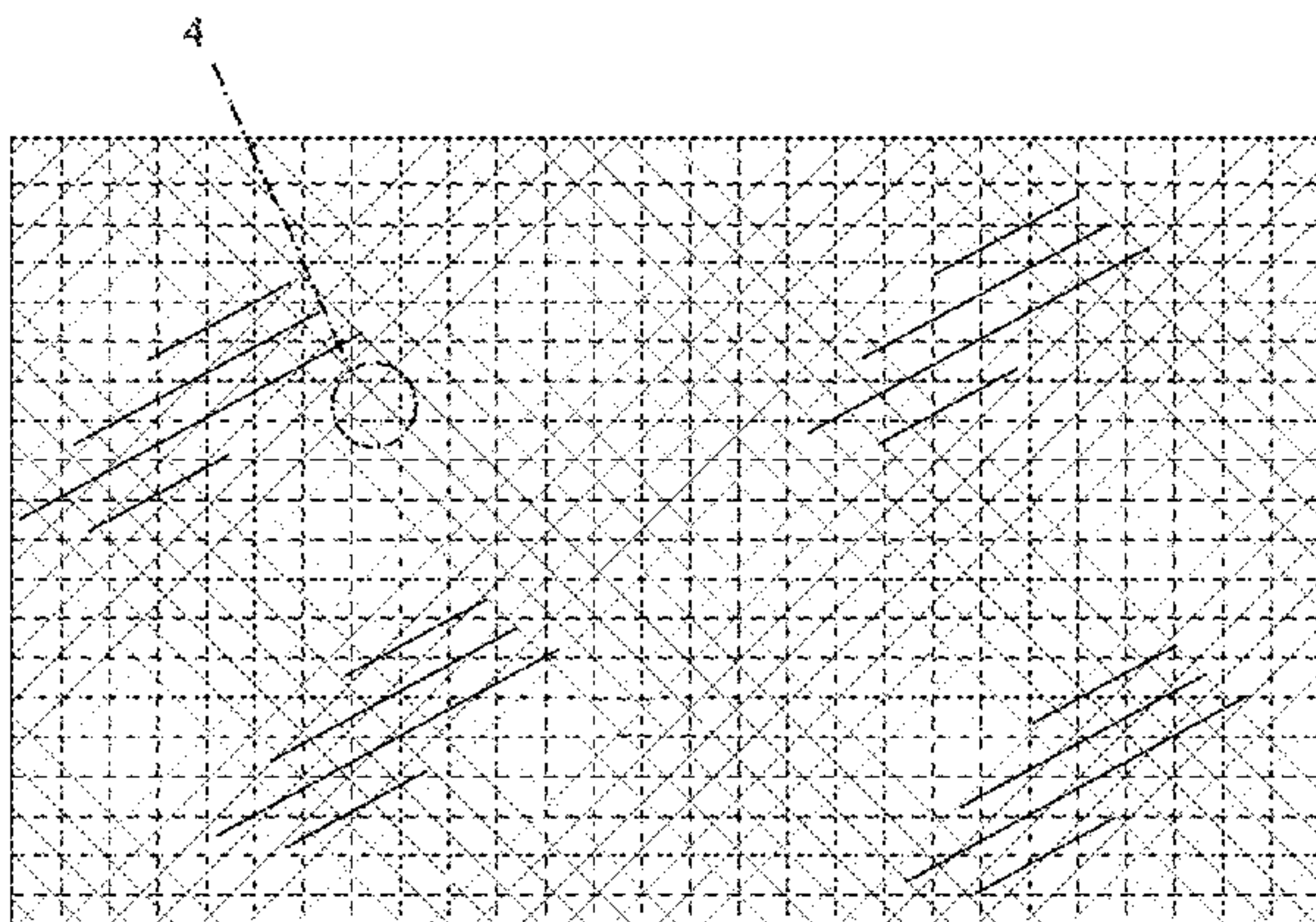
FIG. 2 is a side profile view thereof; the left side of the figure being representative of the top plan view of FIG. 1;

FIG. 3 is an enlarged detail view of area 3 circumscribed within or on FIG. 2; and,

FIG. 4 is an enlarged detail view of area 4 circumscribed within or on FIG. 1.

The portions of the translucent mat with diamond pattern shown in broken lines form no part of the claimed design.

1 Claim, 1 Drawing Sheet



(56)

References Cited

U.S. PATENT DOCUMENTS

6,101,776 A 8/2000 Conley
 6,238,762 B1 5/2001 Friedland et al.
 D450,934 S * 11/2001 Duritsch et al. D5/58
 6,387,470 B1 * 5/2002 Chang et al. 428/121
 D478,410 S 8/2003 White
 6,677,027 B1 * 1/2004 Lu 428/138
 7,299,592 B2 * 11/2007 Moller, Jr. 52/180
 D603,640 S 11/2009 Thrush
 D604,082 S 11/2009 Thrush
 D604,083 S 11/2009 Thrush

D625,017 S * 10/2010 Iwahashi et al. D24/189
 D663,989 S * 7/2012 Steffey D6/602
 D671,784 S * 12/2012 Gallie, II D6/582
 8,407,951 B2 * 4/2013 Haney et al. 52/177
 D694,550 S * 12/2013 Calkins D6/582
 D694,551 S * 12/2013 Calkins D6/582
 2004/0250346 A1 * 12/2004 Vasishth 5/417
 2005/0192158 A1 * 9/2005 Edwards 482/23
 2006/0029773 A1 2/2006 Waterman et al.
 2006/0070314 A1 * 4/2006 Jenkins et al. 52/177
 2010/0143640 A1 6/2010 Wilmsen
 2011/0183102 A1 * 7/2011 Afolabi 428/83
 2014/0342126 A1 * 11/2014 Oh 428/160

* cited by examiner

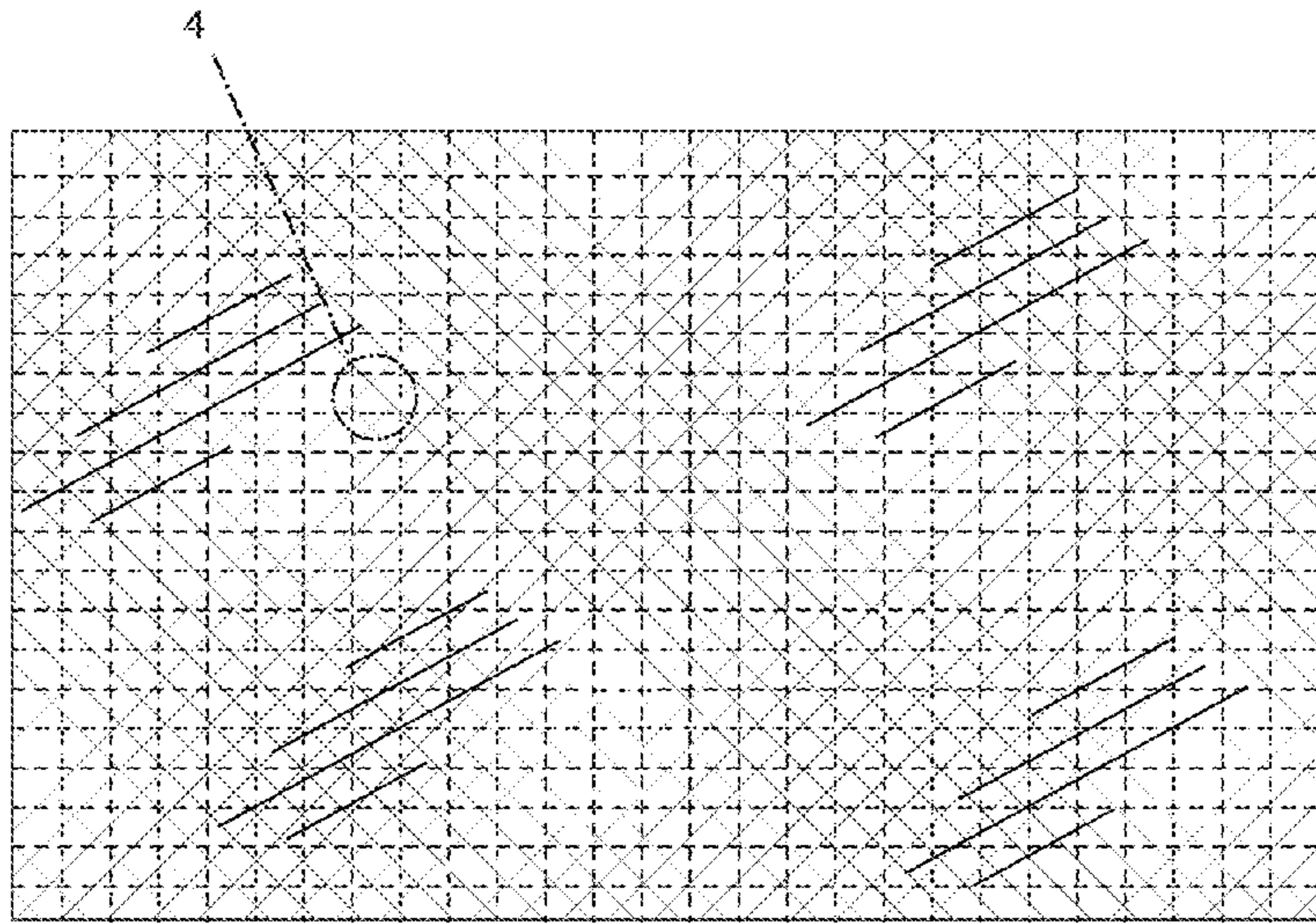


FIG. 1

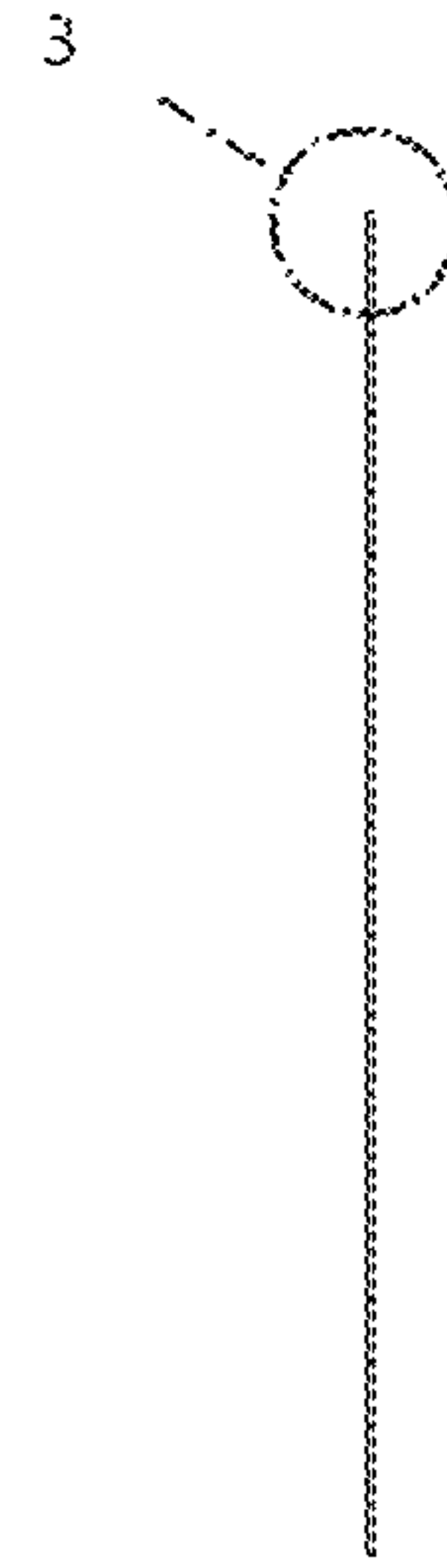


FIG. 2

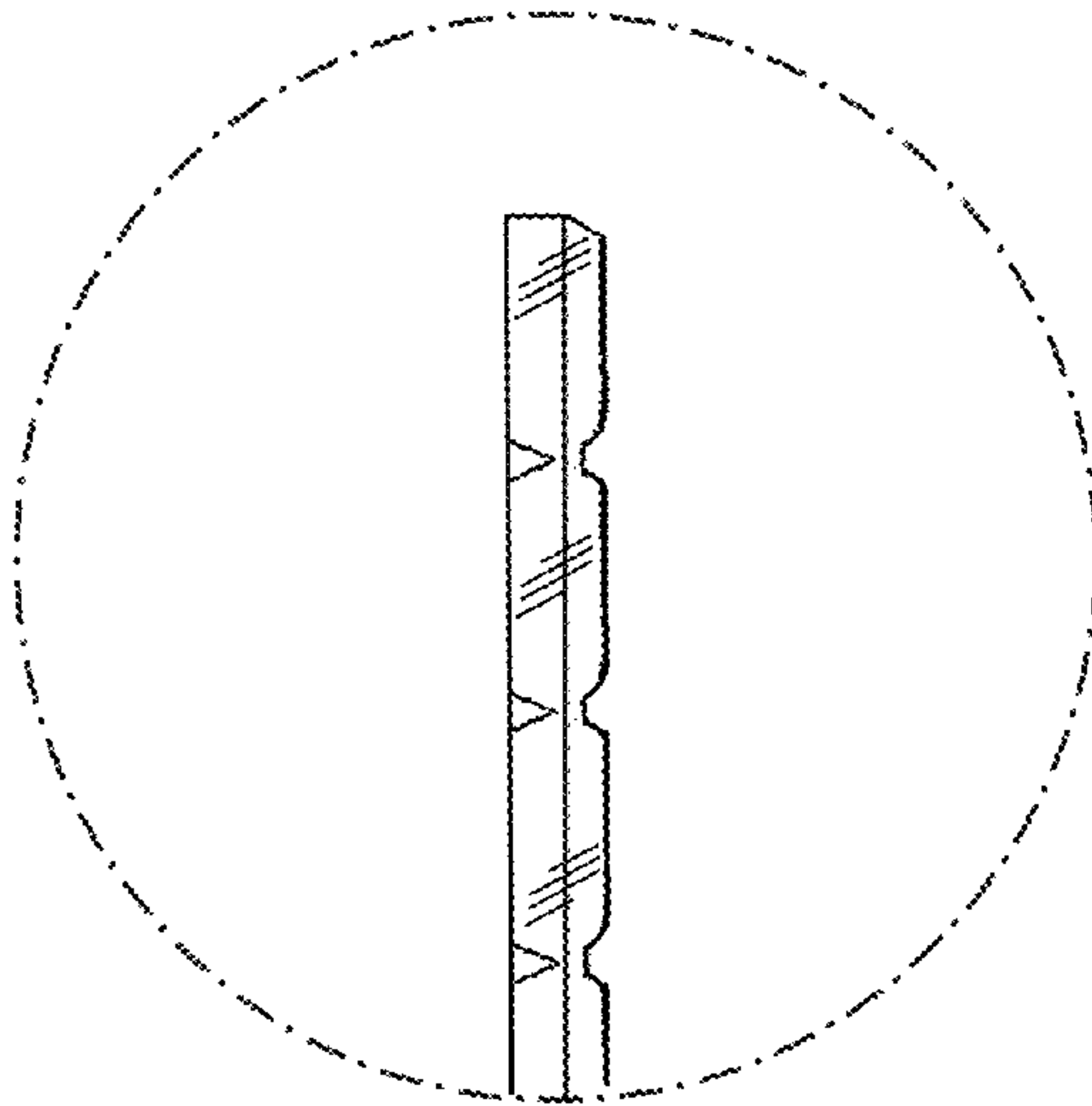


FIG. 3

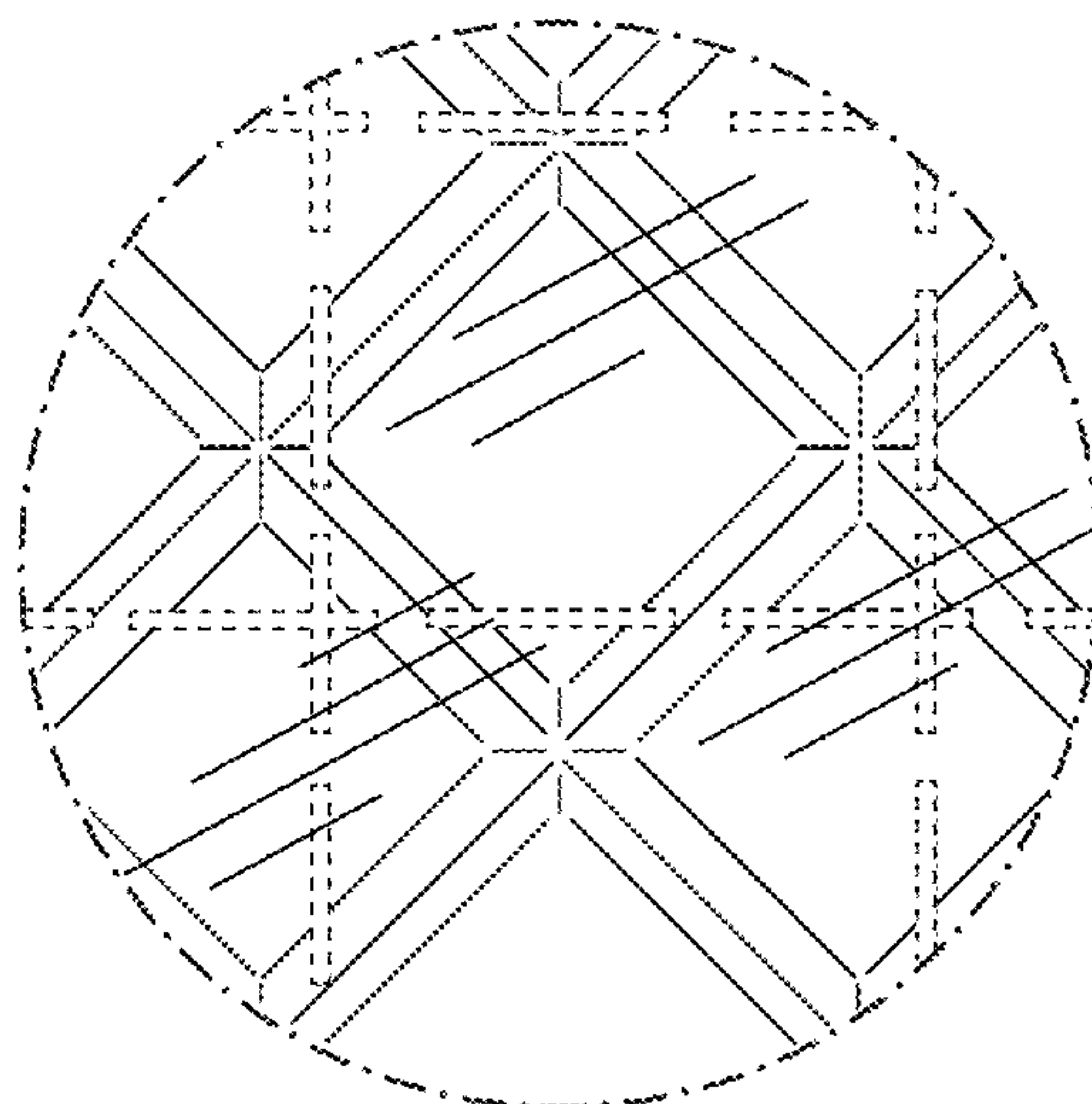


FIG. 4