



US00D756684S

(12) **United States Design Patent**
Carr

(10) **Patent No.:** **US D756,684 S**

(45) **Date of Patent:** **** May 24, 2016**

(54) **FISHING ROD HOLDER**

(71) Applicant: **Stuart J. Carr**, Milwaukie, OR (US)

(72) Inventor: **Stuart J. Carr**, Milwaukie, OR (US)

(**) Term: **14 Years**

(21) Appl. No.: **29/495,092**

(22) Filed: **Jun. 26, 2014**

(51) **LOC (10) Cl.** **08-08**

(52) **U.S. Cl.**
USPC **D6/552; D8/380**

(58) **Field of Classification Search**
USPC D6/552, 512, 553, 567, 572; D8/380;
D22/147; D25/68; 211/7, 13, 60.1,
211/70.8, 64, 65, 68, 69, 69.8, 89, 94;
248/316.7
CPC A47F 7/0035; A01K 97/08; A47B 81/005;
Y10T 70/5009; Y10S 224/922
See application file for complete search history.

(56) **References Cited**

U.S. PATENT DOCUMENTS

D272,785 S *	2/1984	Rumbaugh	D6/552
4,961,505 A *	10/1990	Moeller	A47F 7/0035 211/65
5,094,351 A *	3/1992	Barney	A47B 81/005 211/117
D386,391 S *	11/1997	Ogawa	D8/380
D404,952 S *	2/1999	Bauer	D6/552
5,979,102 A *	11/1999	Sagryn	A01K 97/08 114/364
7,219,464 B1 *	5/2007	Kujawa	A01K 97/08 211/70.8
D722,785 S *	2/2015	Thurman	D6/552

* cited by examiner

Primary Examiner — Wan Laymon

Assistant Examiner — Mark Booker

(74) *Attorney, Agent, or Firm* — Mark S Hubert

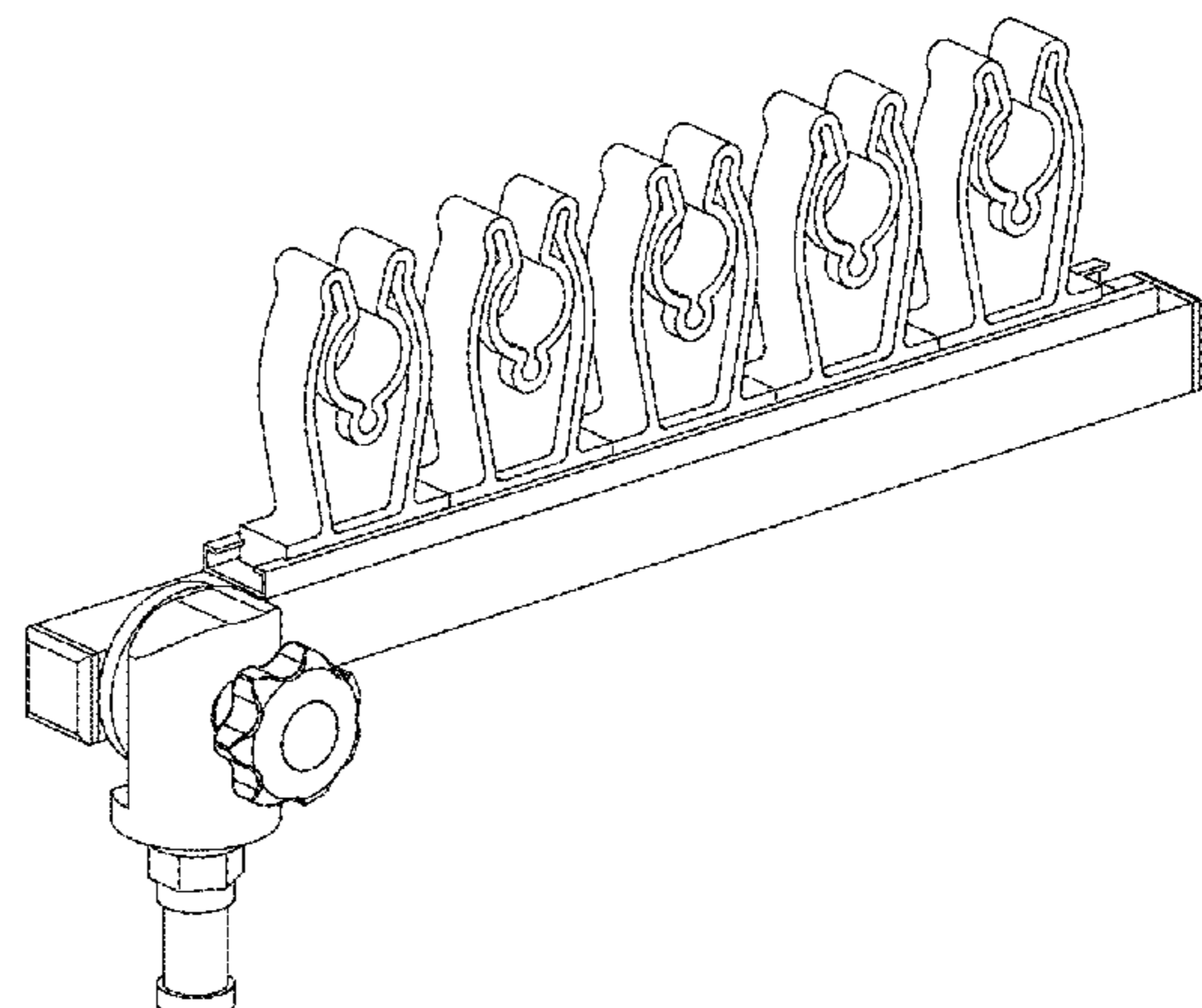
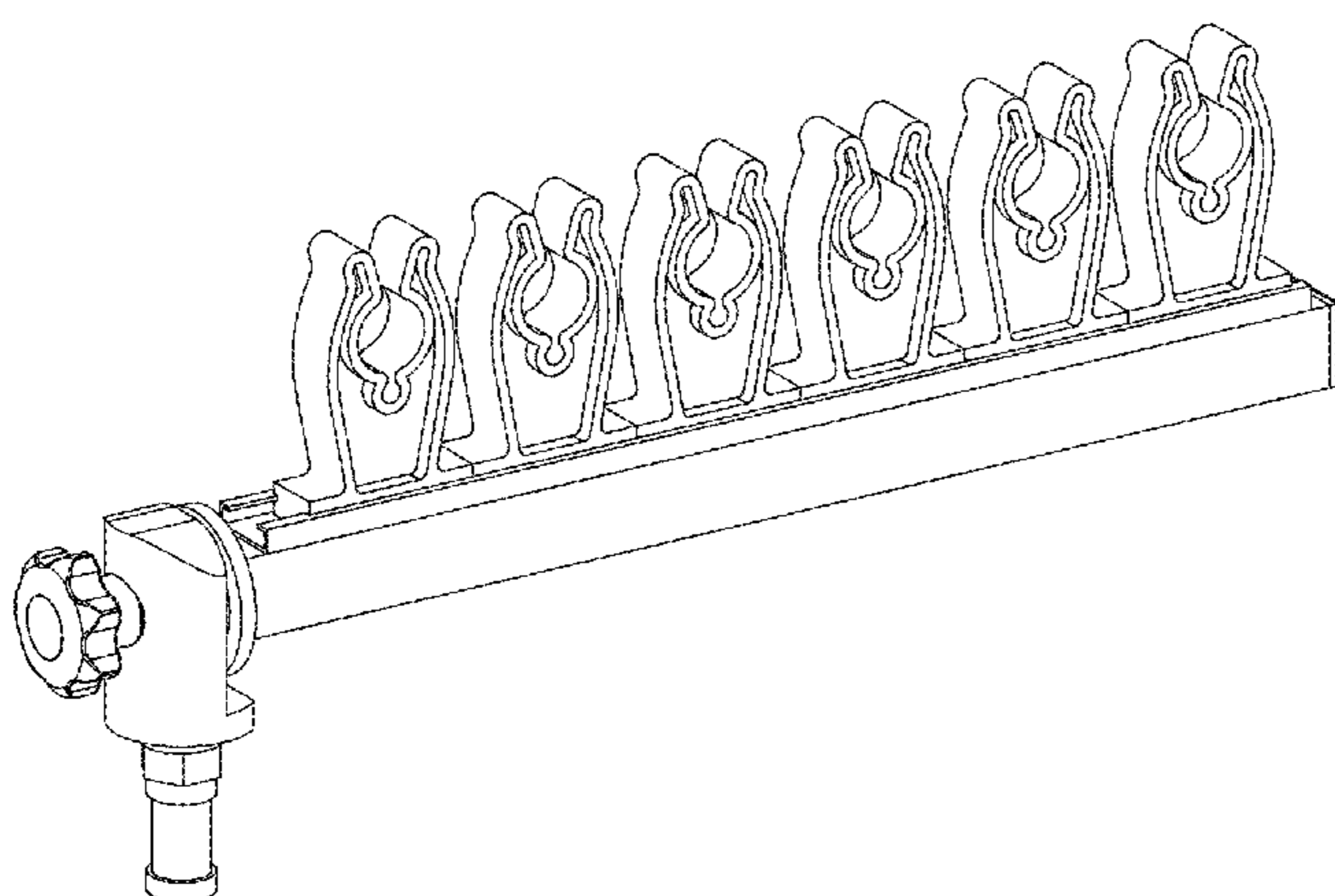
(57) **CLAIM**

I claim the ornamental design for the fishing rod holder, as shown and described.

DESCRIPTION

FIG. 1 is a perspective view of the first embodiment end-mount fishing rod holder showing my new design;
 FIG. 2 is a top view of the first embodiment end-mount fishing rod holder;
 FIG. 3 is a front view of the first embodiment end-mount fishing rod holder;
 FIG. 4 is a left-side view of the first embodiment end-mount fishing rod holder;
 FIG. 5 is a right-side view of the first embodiment end-mount fishing rod holder;
 FIG. 6 is a rear view of the first embodiment end-mount fishing rod holder;
 FIG. 7 is a bottom view of the first embodiment end-mount fishing rod holder;
 FIG. 8 is a perspective view of the second embodiment side-mount fishing rod holder;
 FIG. 9 is a top view of the second embodiment side-mount fishing rod holder;
 FIG. 10 is a front view of the second embodiment side-mount fishing rod holder;
 FIG. 11 is a left-side view of the second embodiment side-mount fishing rod holder;
 FIG. 12 is a right-side view of the second embodiment side-mount fishing rod holder;
 FIG. 13 is a rear view of the second embodiment side-mount fishing rod holder; and,
 FIG. 14 is a bottom view of the second embodiment side-mount fishing rod holder.

1 Claim, 6 Drawing Sheets



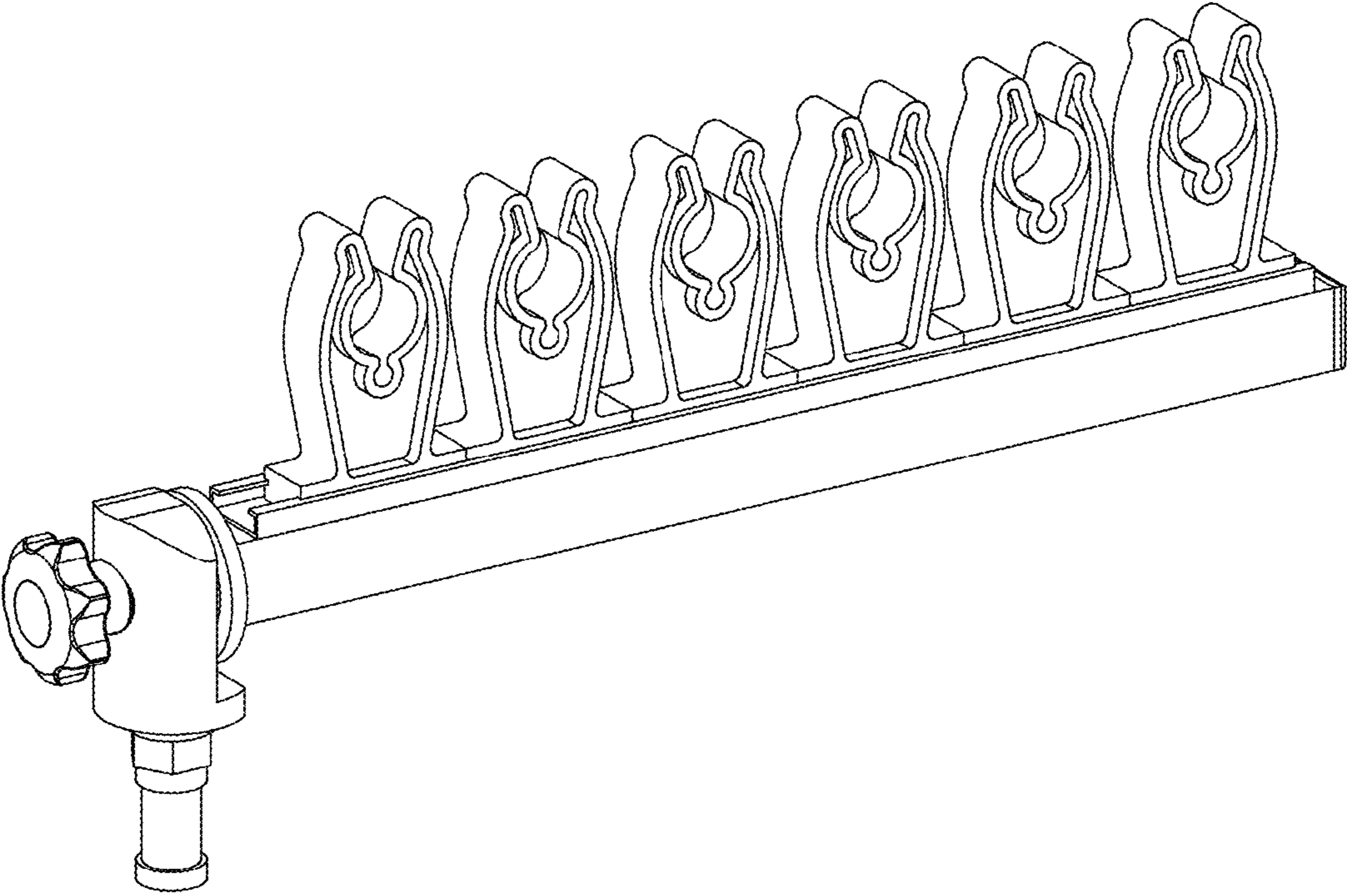


FIG. 1

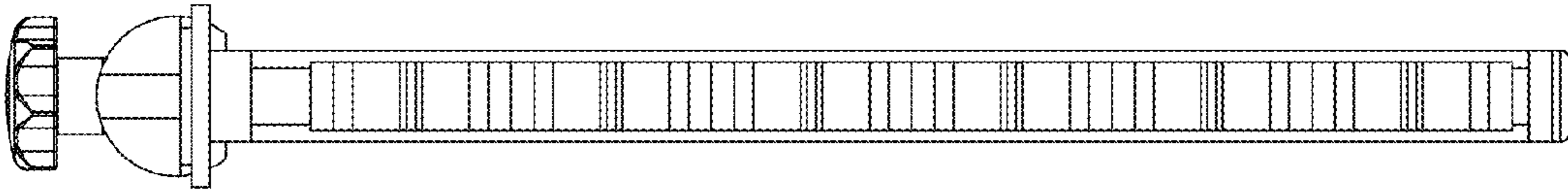


FIG. 2

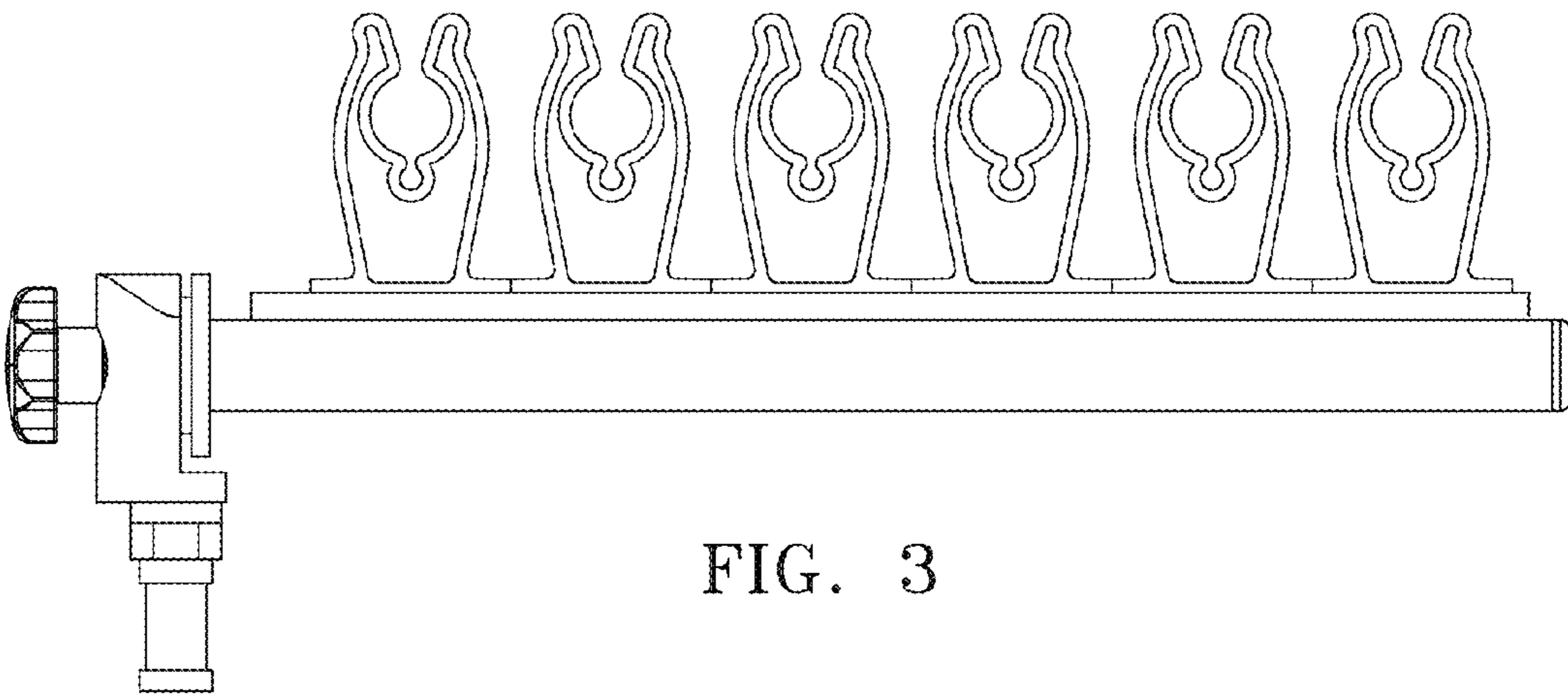


FIG. 3

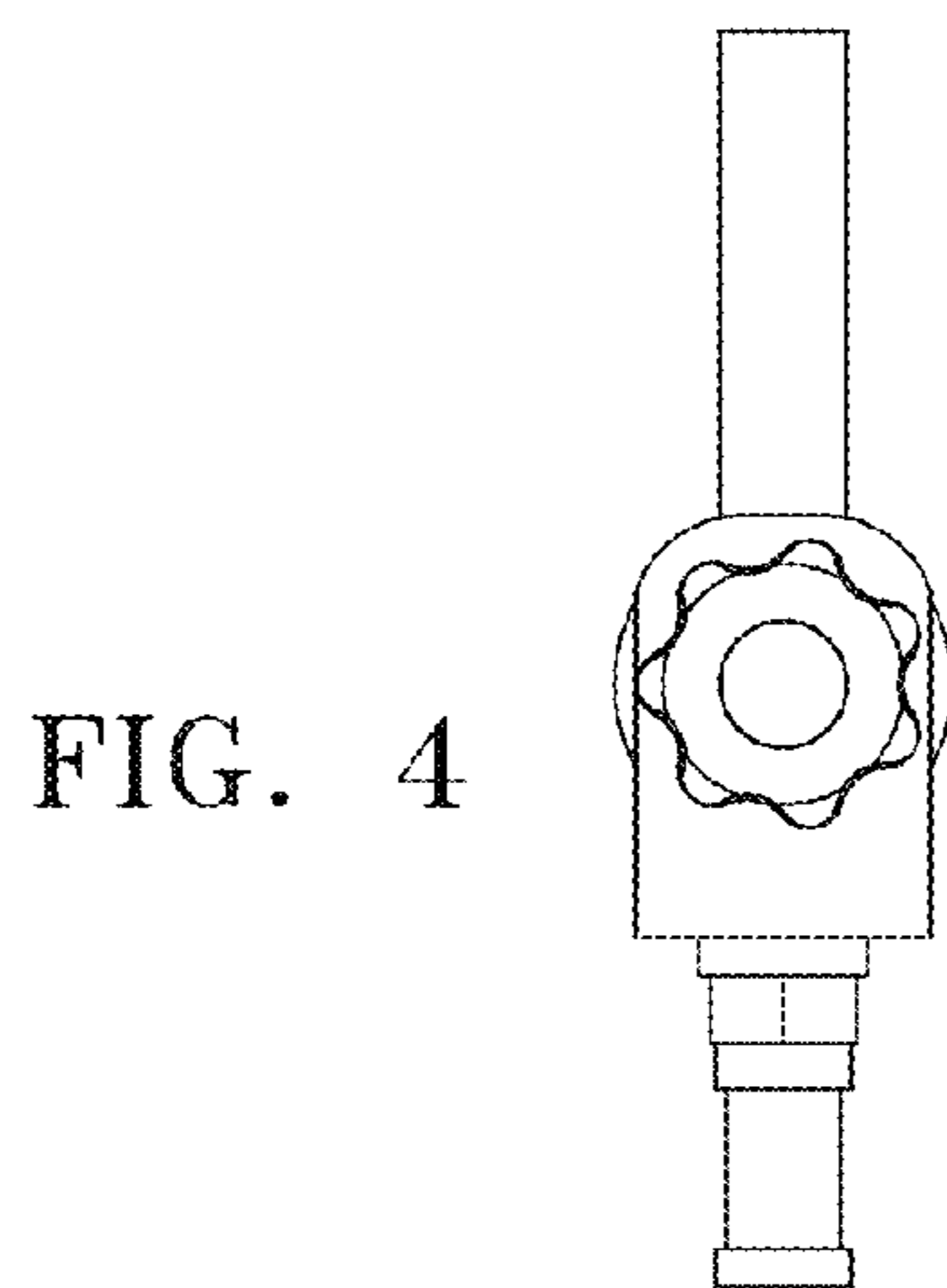


FIG. 4

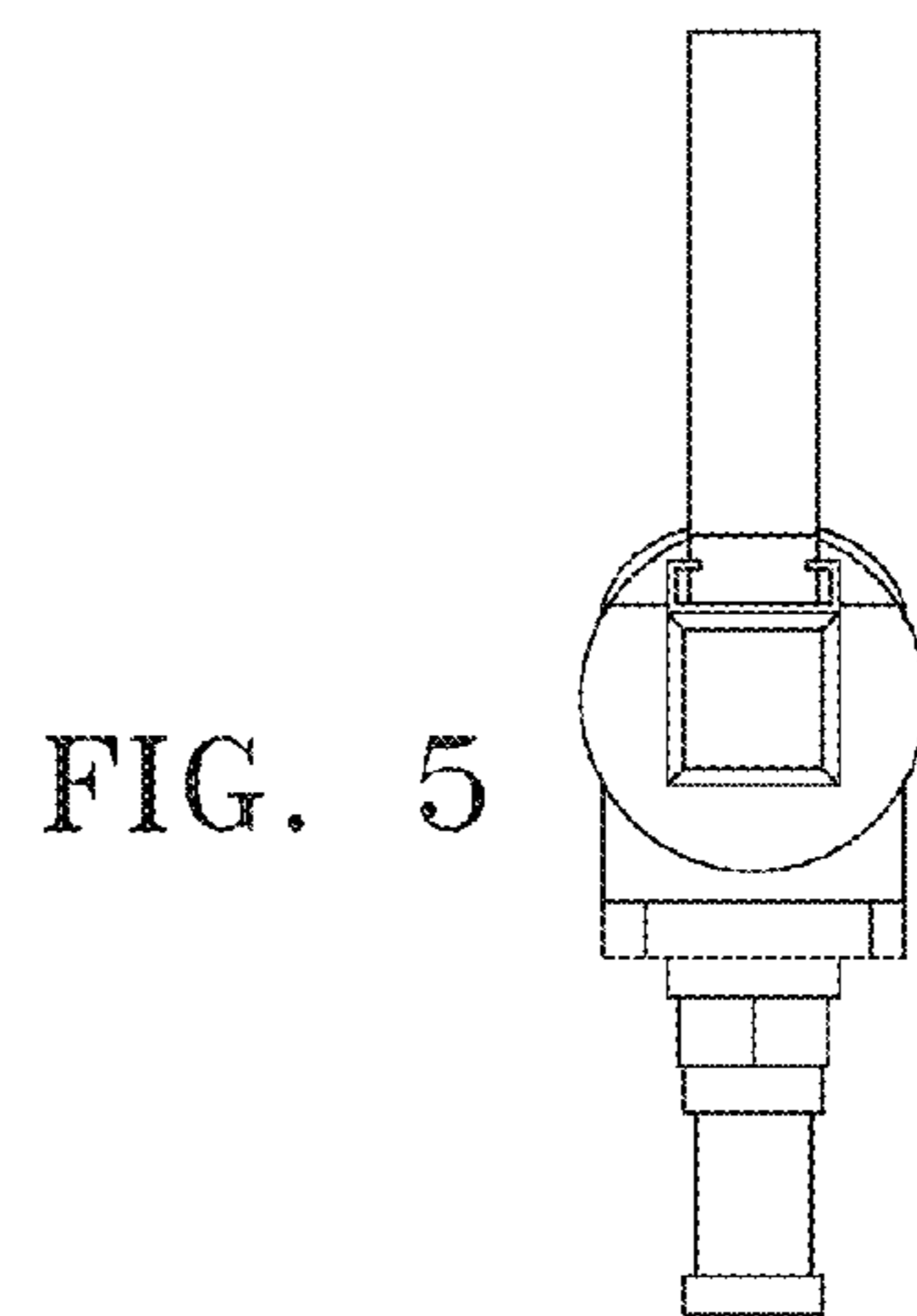


FIG. 5

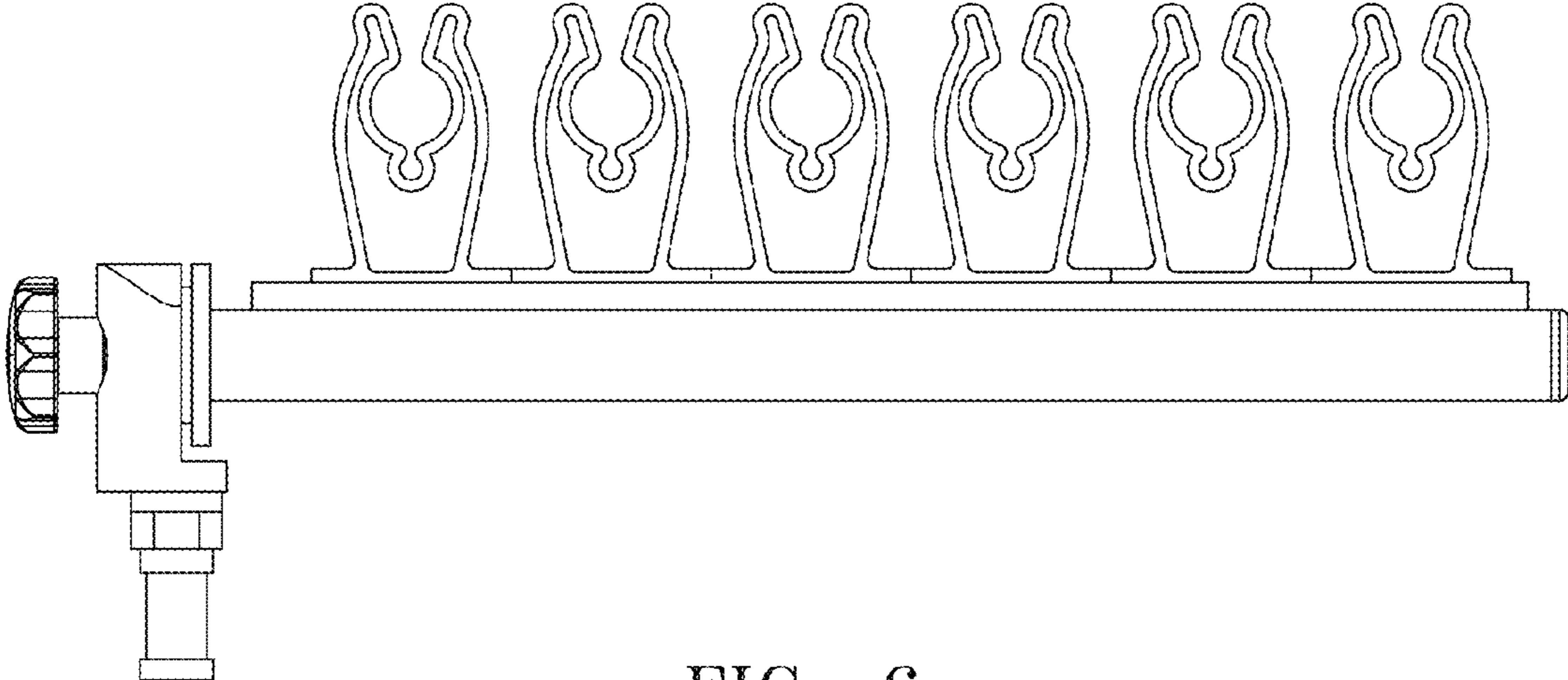


FIG. 6

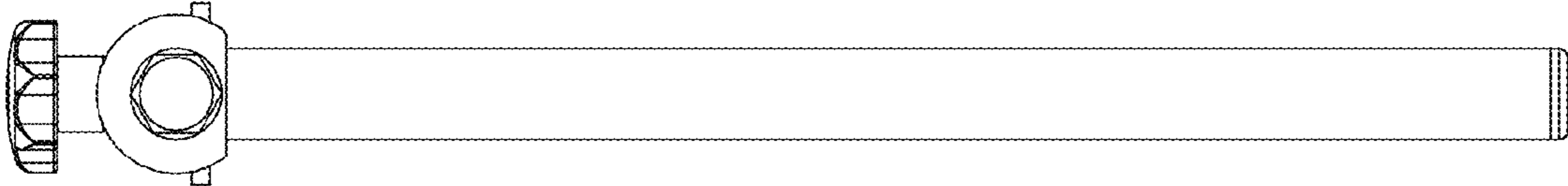


FIG. 7

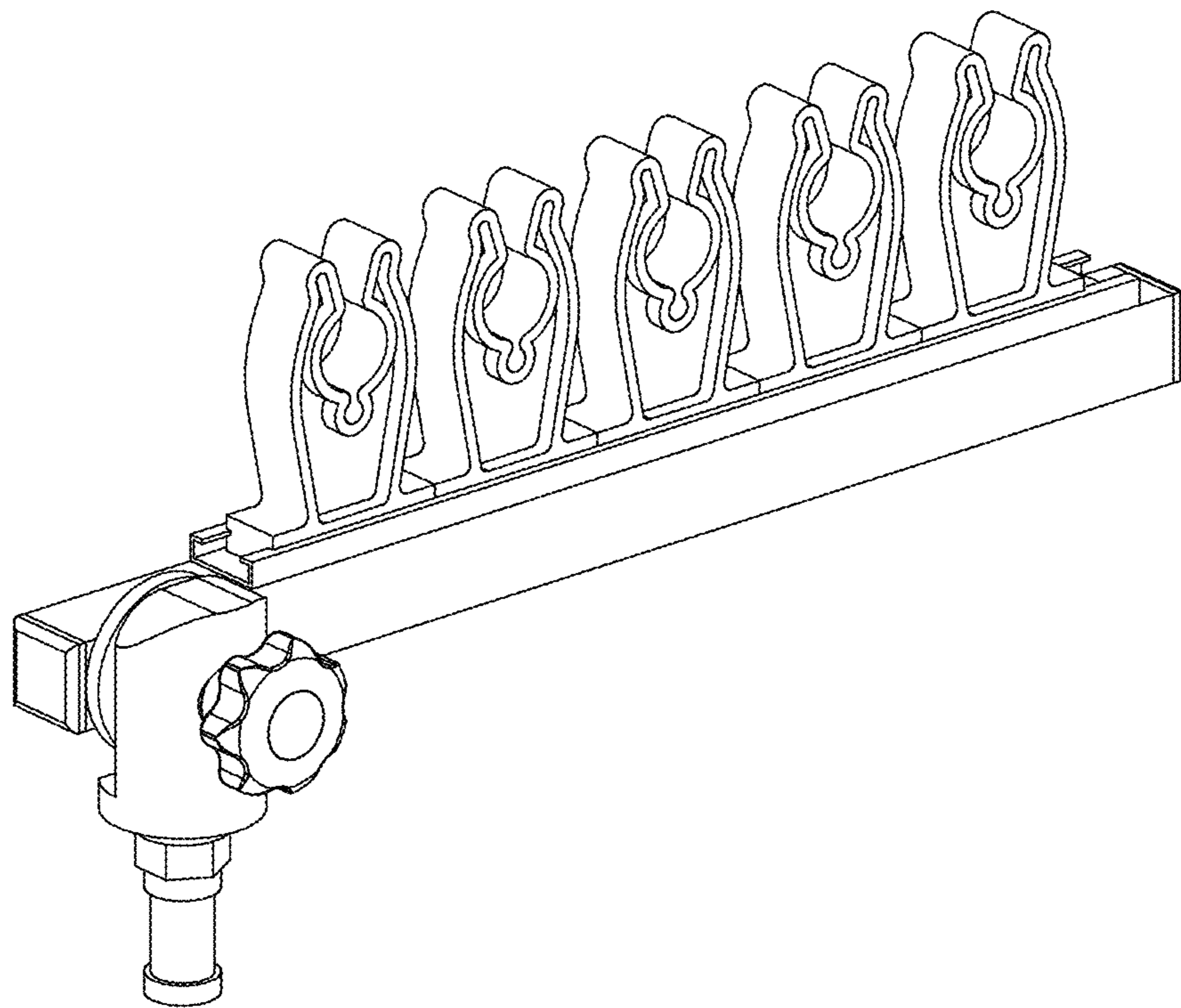


FIG. 8

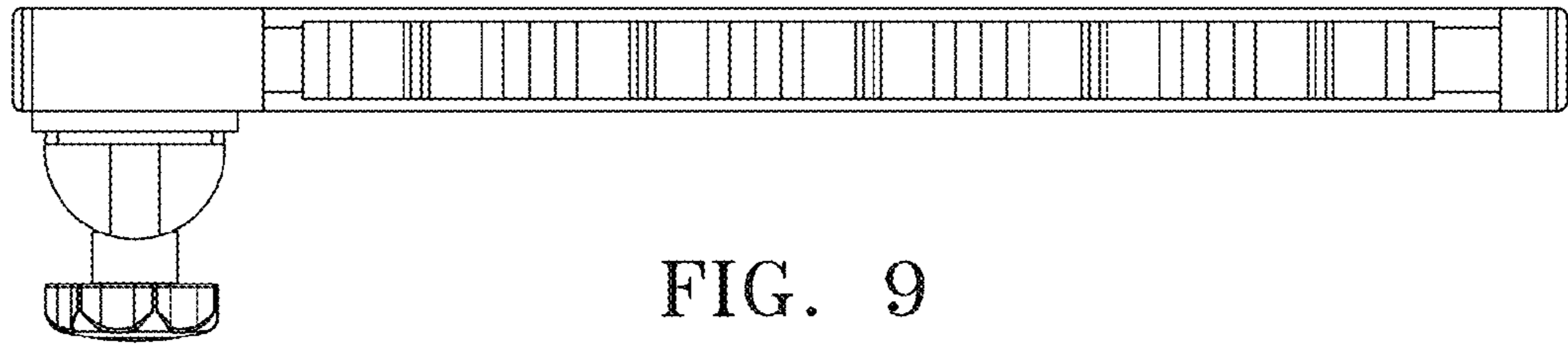


FIG. 9

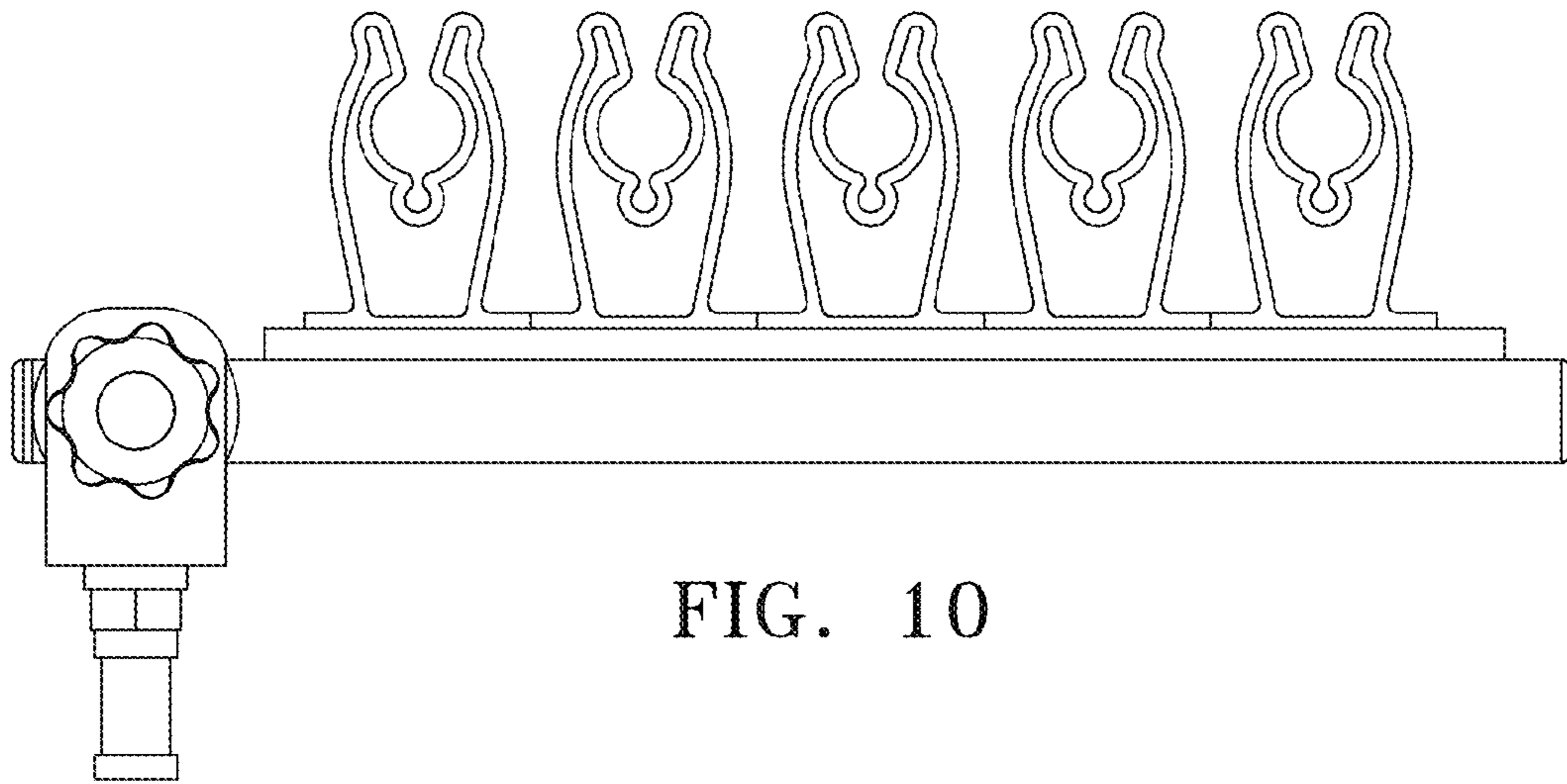


FIG. 10

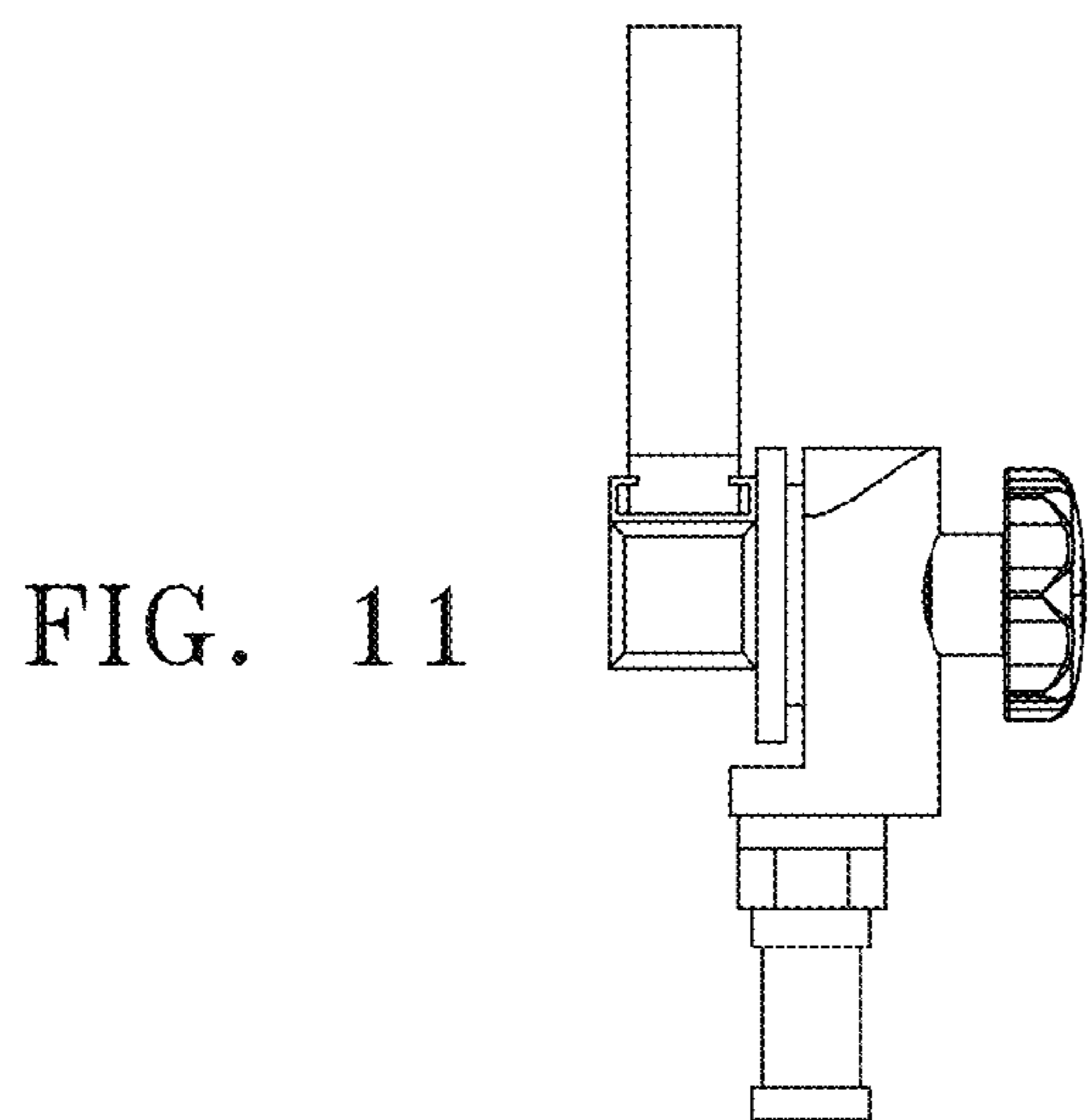


FIG. 11

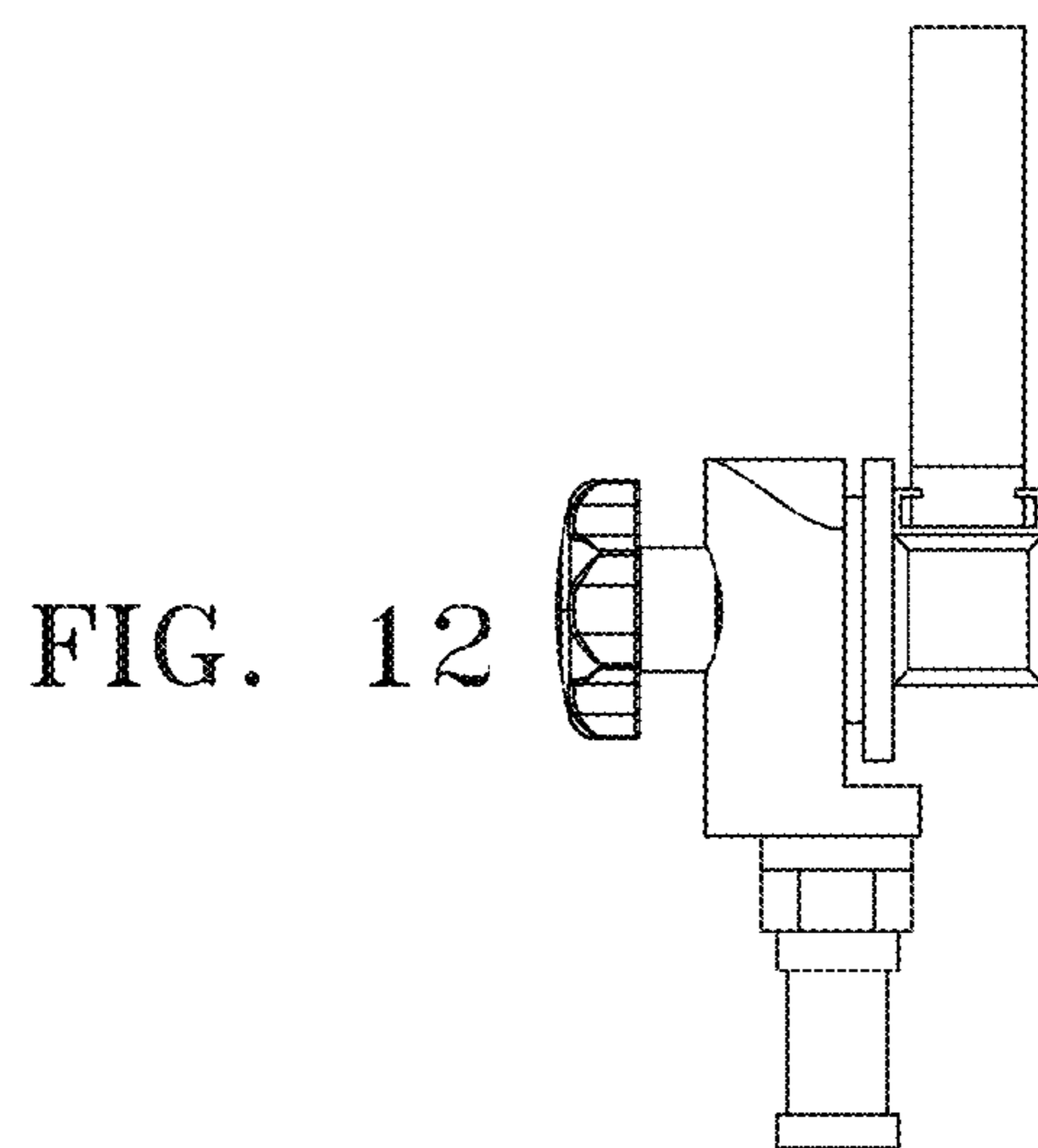


FIG. 12

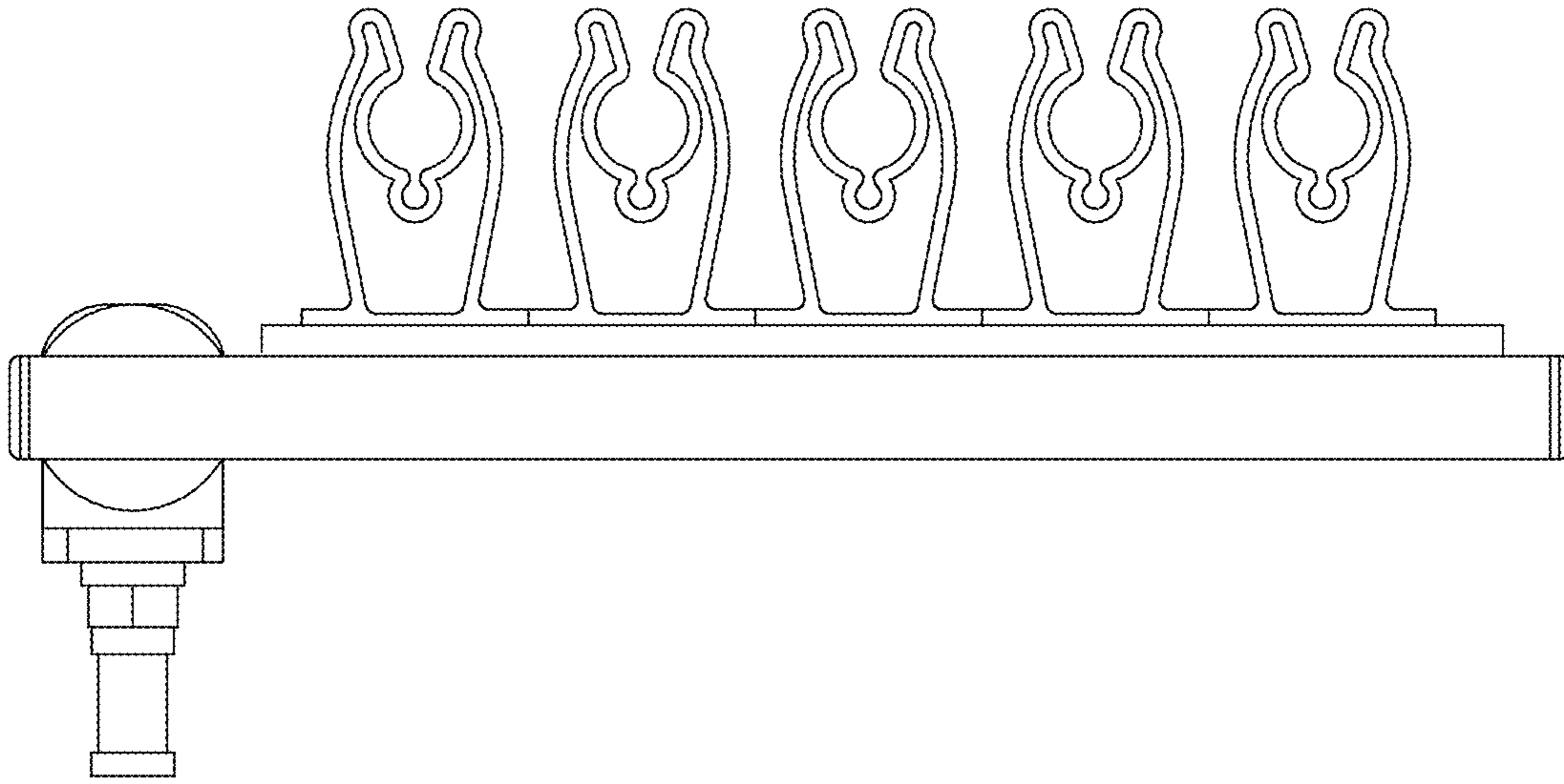


FIG. 13

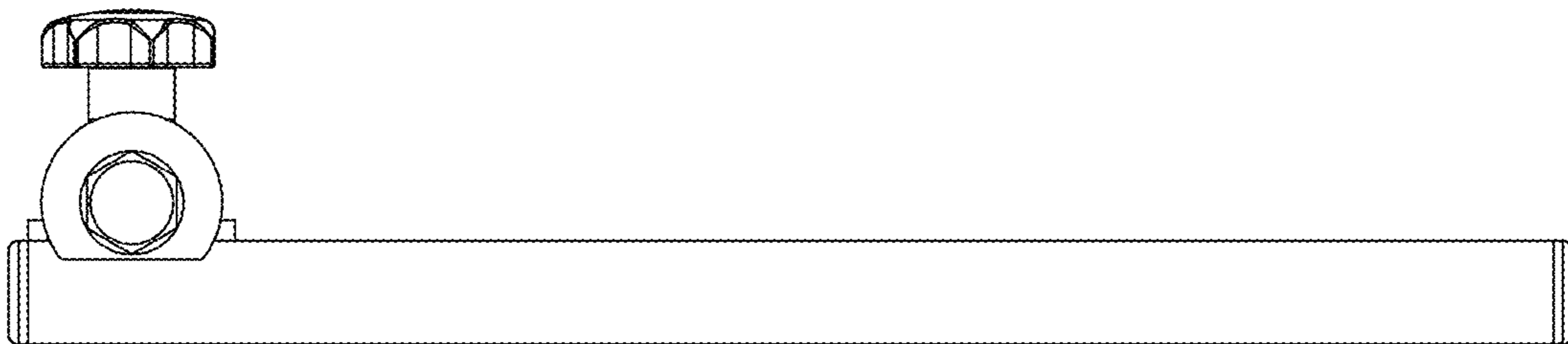


FIG. 14