

US00D756683S

(12) **United States Design Patent**  
**Morand**

(10) **Patent No.:** **US D756,683 S**

(45) **Date of Patent:** **\*\* May 24, 2016**

- (54) **TISSUE DISPENSER**
- (71) Applicant: **CASCADES CANADA ULC**, Montreal (CA)
- (72) Inventor: **Michel Morand**, Verdun (CA)
- (73) Assignee: **CASCADES CANADA ULC**, Montréal (CA)

D522,781 S *	6/2006	Wieser .....	D6/518
D649,820 S *	12/2011	Stutzel .....	D6/518
D655,962 S *	3/2012	Cittadino .....	D6/545
D674,223 S *	1/2013	Green .....	D6/518
D699,048 S *	2/2014	Paal .....	D6/545
D711,663 S *	8/2014	Walters .....	D6/518
D727,058 S	4/2015	Morand .....	
2010/0286817 A1 *	11/2010	Goeking .....	A47K 10/26 700/231

- (\*\*) Term: **15 Years**
- (21) Appl. No.: **29/531,543**

- (22) Filed: **Jun. 26, 2015**
- (51) **LOC (10) Cl.** ..... **20-02**
- (52) **U.S. Cl.**  
USPC ..... **D6/518**
- (58) **Field of Classification Search**  
USPC ..... D6/515-518, 553, 542-545, 567, 574;  
206/225, 233, 389, 391, 77.1;  
211/13.1, 173, 180, 45, 86.01, 87.02,  
211/87.01; 221/26, 33, 282, 283, 14, 92,  
221/105; 222/173, 180, 281-282; 242/570,  
242/590; 248/309.1, 309.2, 905  
CPC .. A47K 10/40; A47K 10/38; A47K 2010/324  
See application file for complete search history.

(56) **References Cited**  
U.S. PATENT DOCUMENTS

D120,783 S *	5/1940	Houghton .....	D6/519
D312,369 S *	11/1990	De Luca .....	D6/518
D356,707 S	3/1995	Morand .....	
D357,150 S	4/1995	Morand .....	
D386,922 S *	12/1997	Sedlock .....	D6/522
D436,272 S *	1/2001	Andersson .....	D6/518
D450,963 S *	11/2001	Phelps .....	D6/522
D461,671 S *	8/2002	Lewis .....	D6/545

**OTHER PUBLICATIONS**

Cascades Canada website, Tandem Mechanical No-Touch Towel Dispenser Black, Oct. 27, 2015, <http://www.afh.cascades.com/en/products/redirectproducsearch/searchtype/brand/filterId/TAP/>.\*

\* cited by examiner

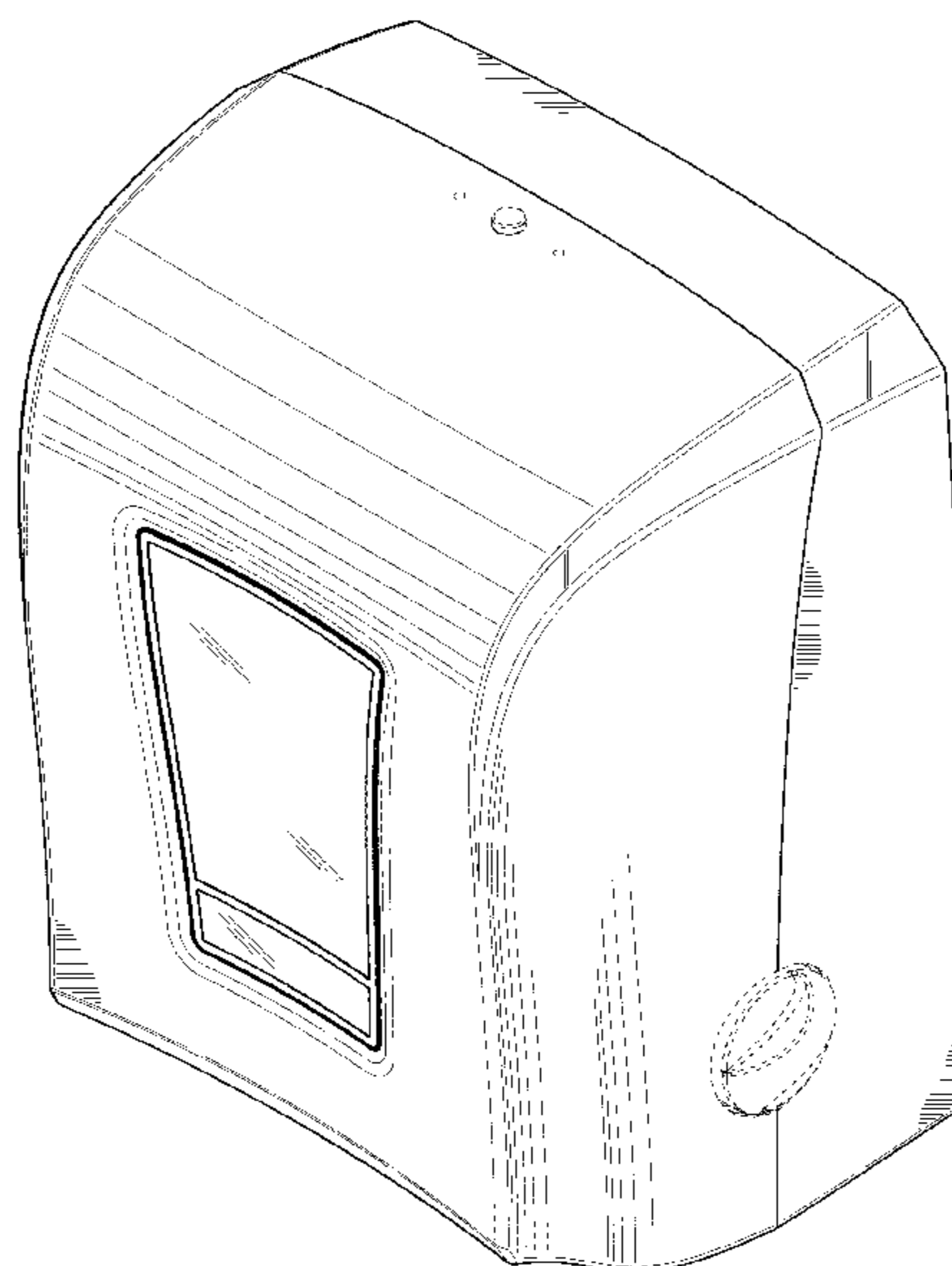
*Primary Examiner* — David Muller  
*Assistant Examiner* — Nathan Johnston  
 (74) *Attorney, Agent, or Firm* — Marshall, Gerstein & Borun LLP

(57) **CLAIM**  
 The ornamental design for a tissue dispenser, as shown and described.

**DESCRIPTION**

FIG. 1 is a perspective view of a tissue dispenser showing my new design;  
 FIG. 2 is a front elevation view thereof;  
 FIG. 3 is a rear elevation view thereof;  
 FIG. 4 is a left-side elevation view thereof;  
 FIG. 5 is a right-side elevation view thereof;  
 FIG. 6 is a top plan view thereof; and,  
 FIG. 7 is a bottom plan view thereof.  
 The portions shown in broken lines do not form part of the claimed design.

**1 Claim, 7 Drawing Sheets**



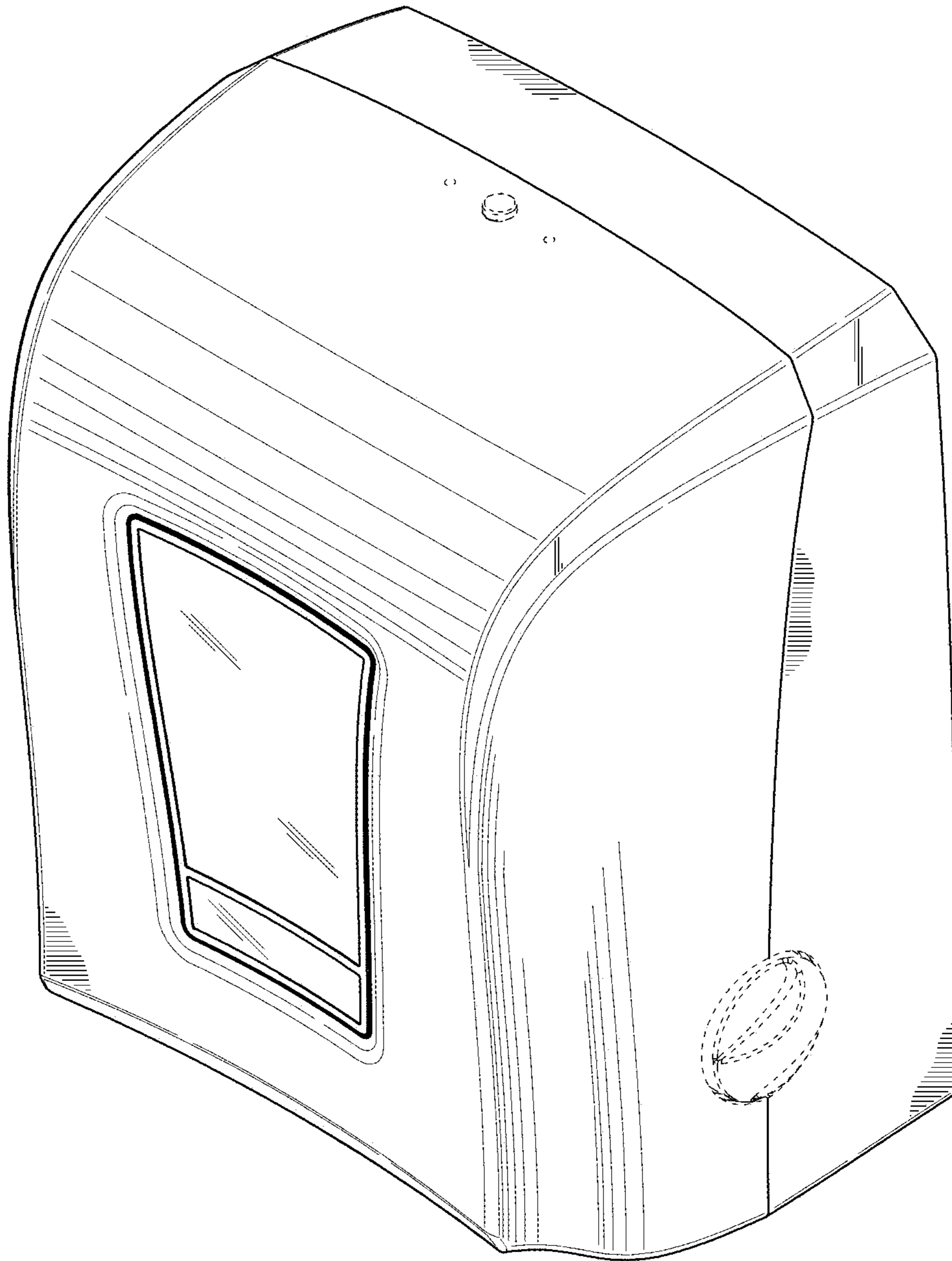


FIG. 1

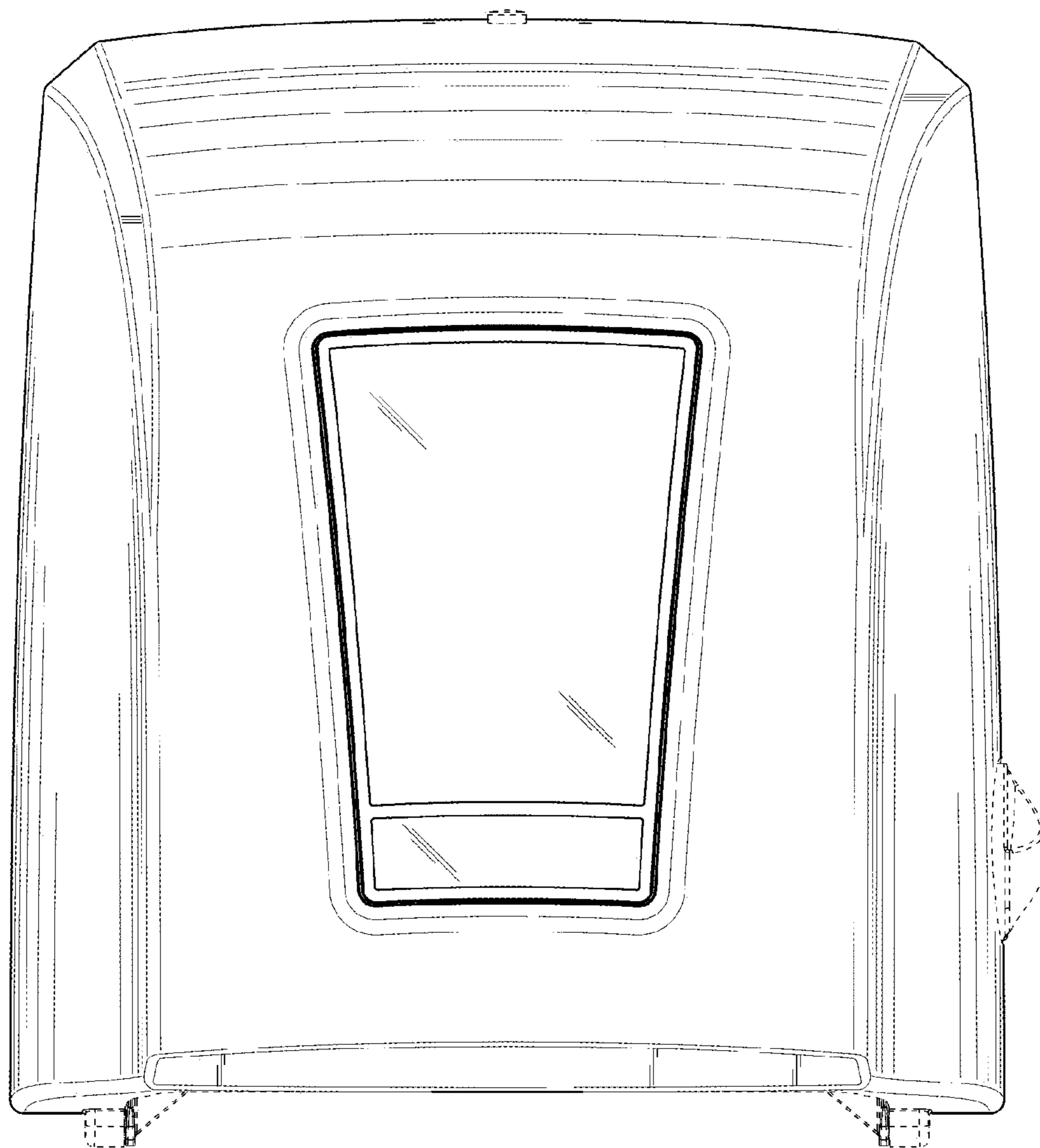


FIG. 2

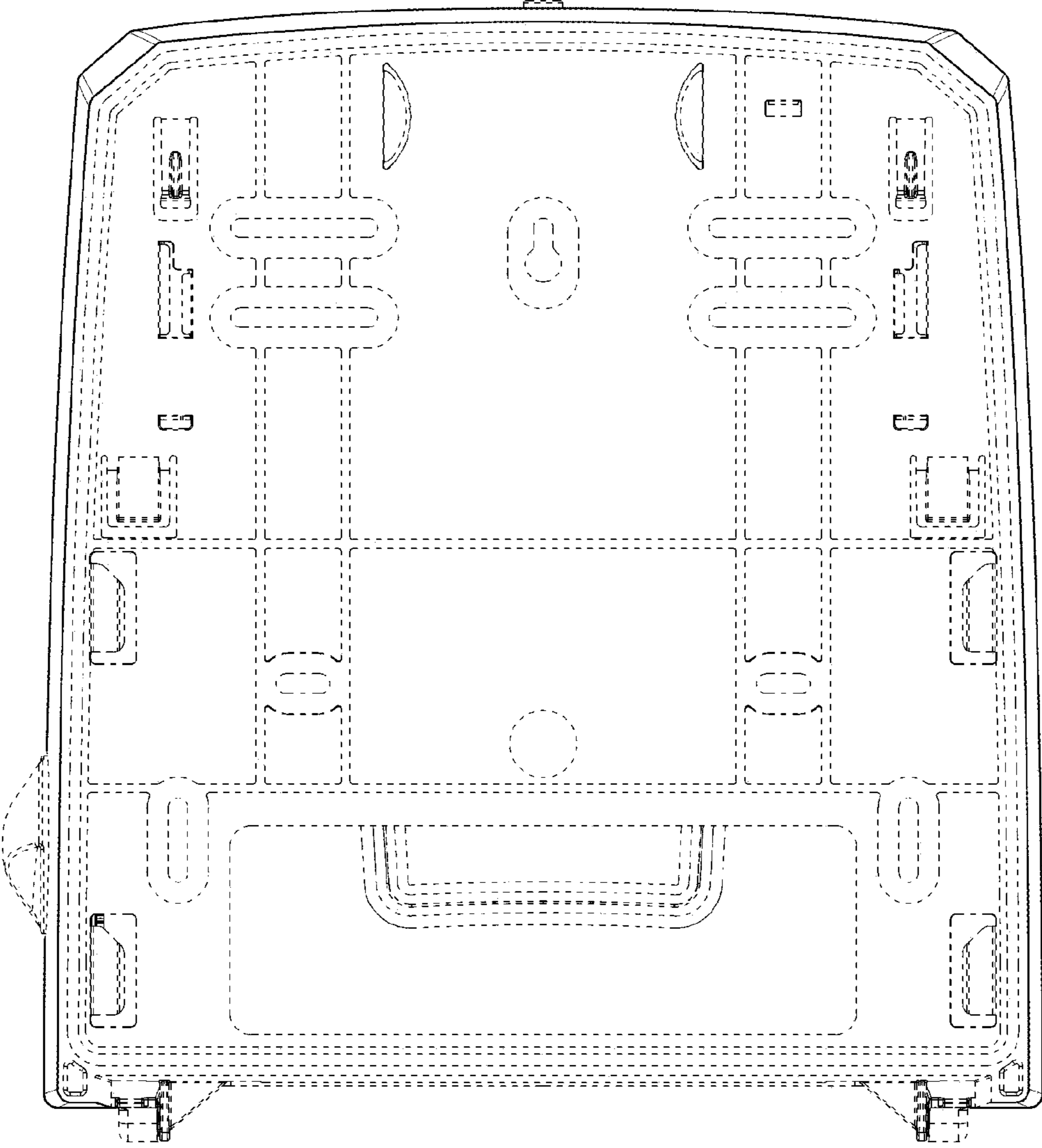


FIG. 3

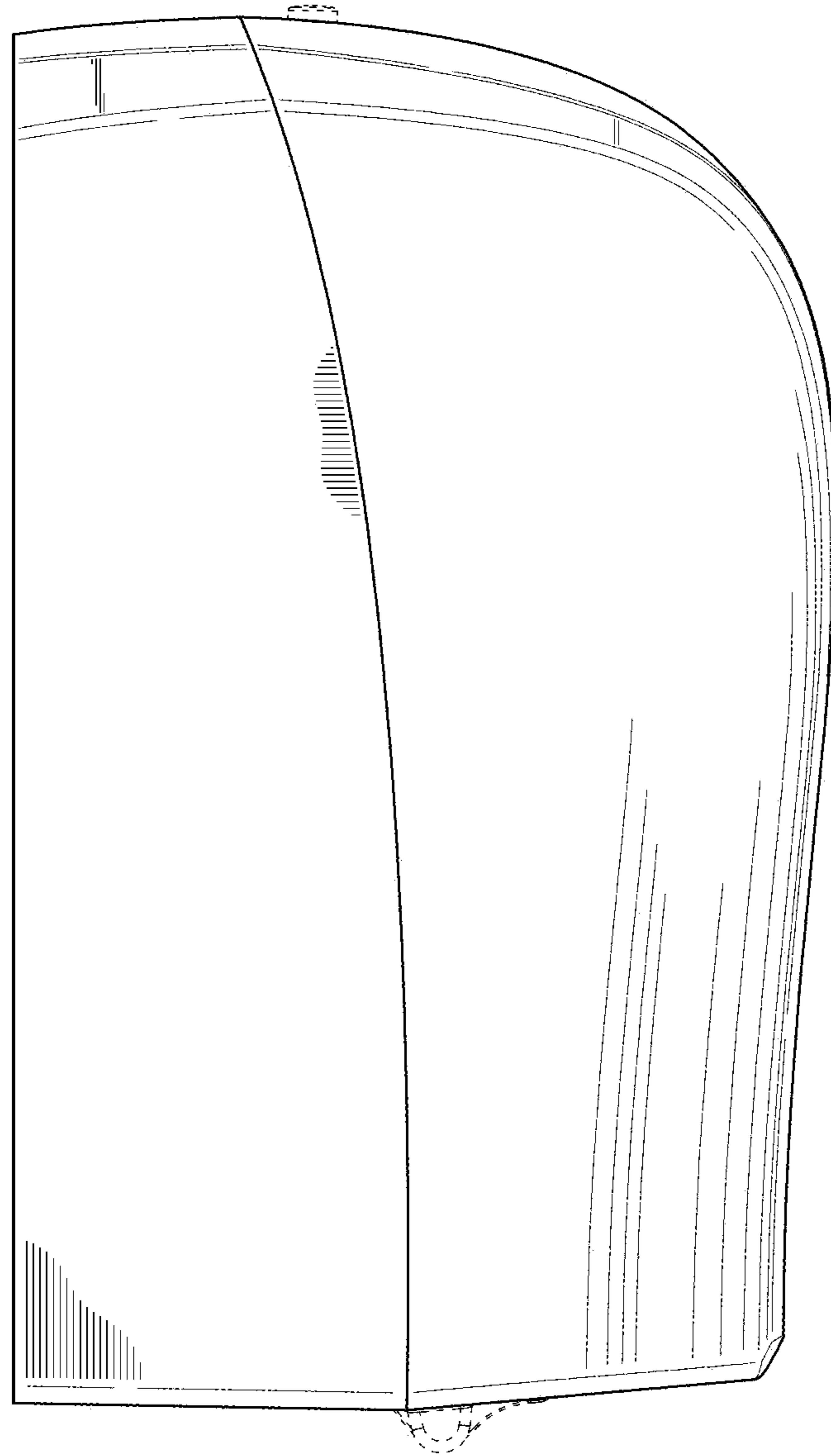


FIG. 4

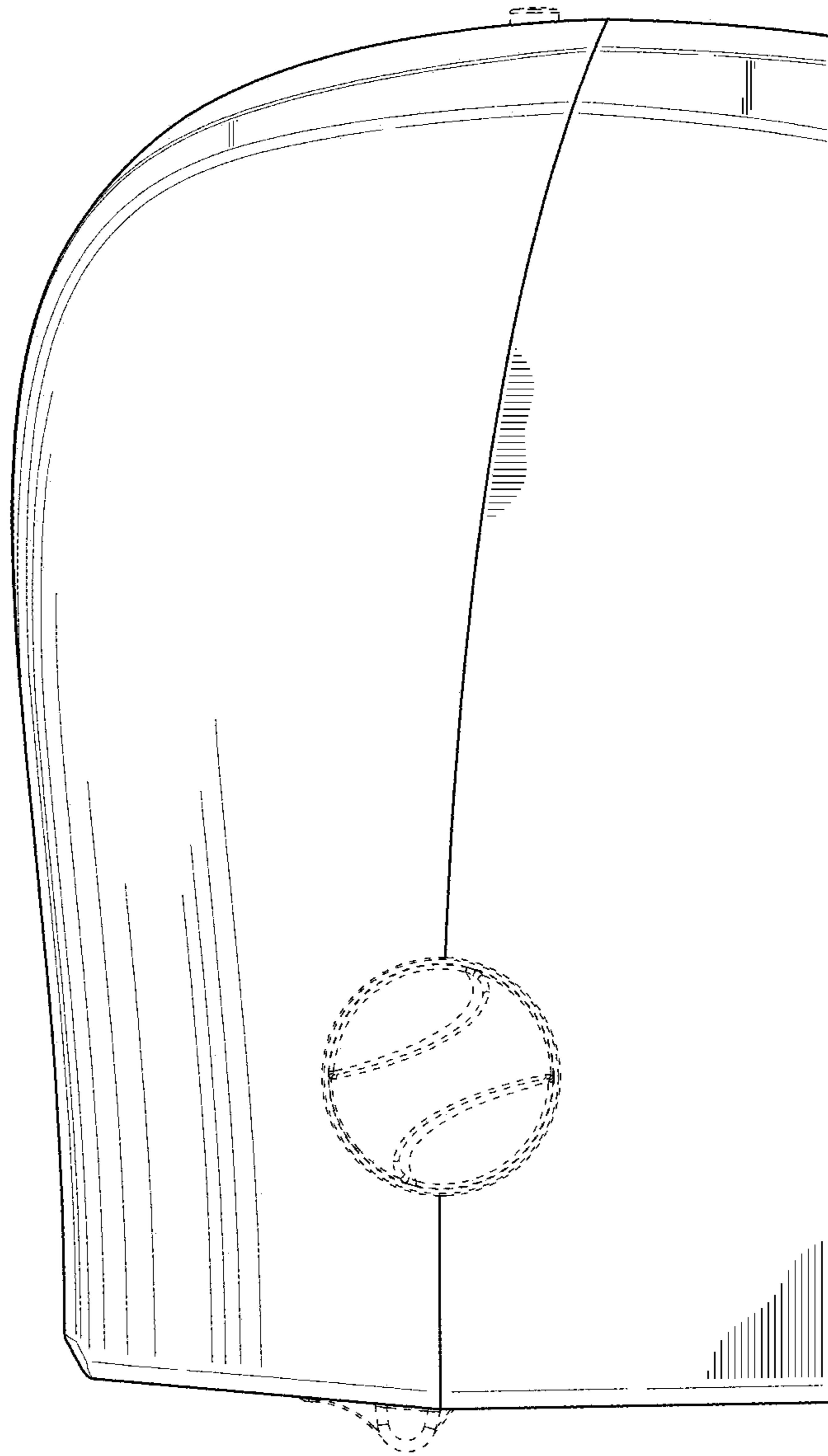


FIG. 5



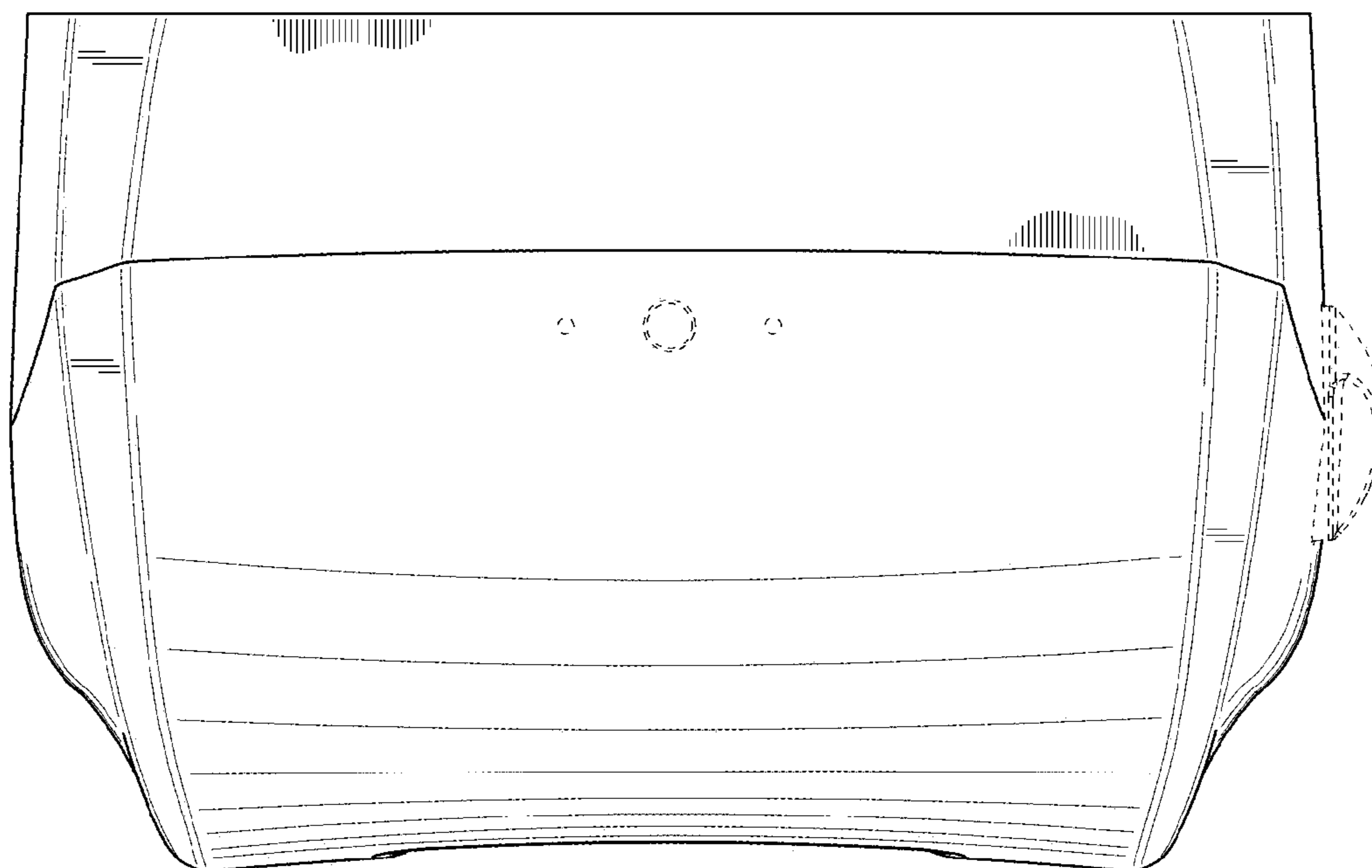


FIG. 6

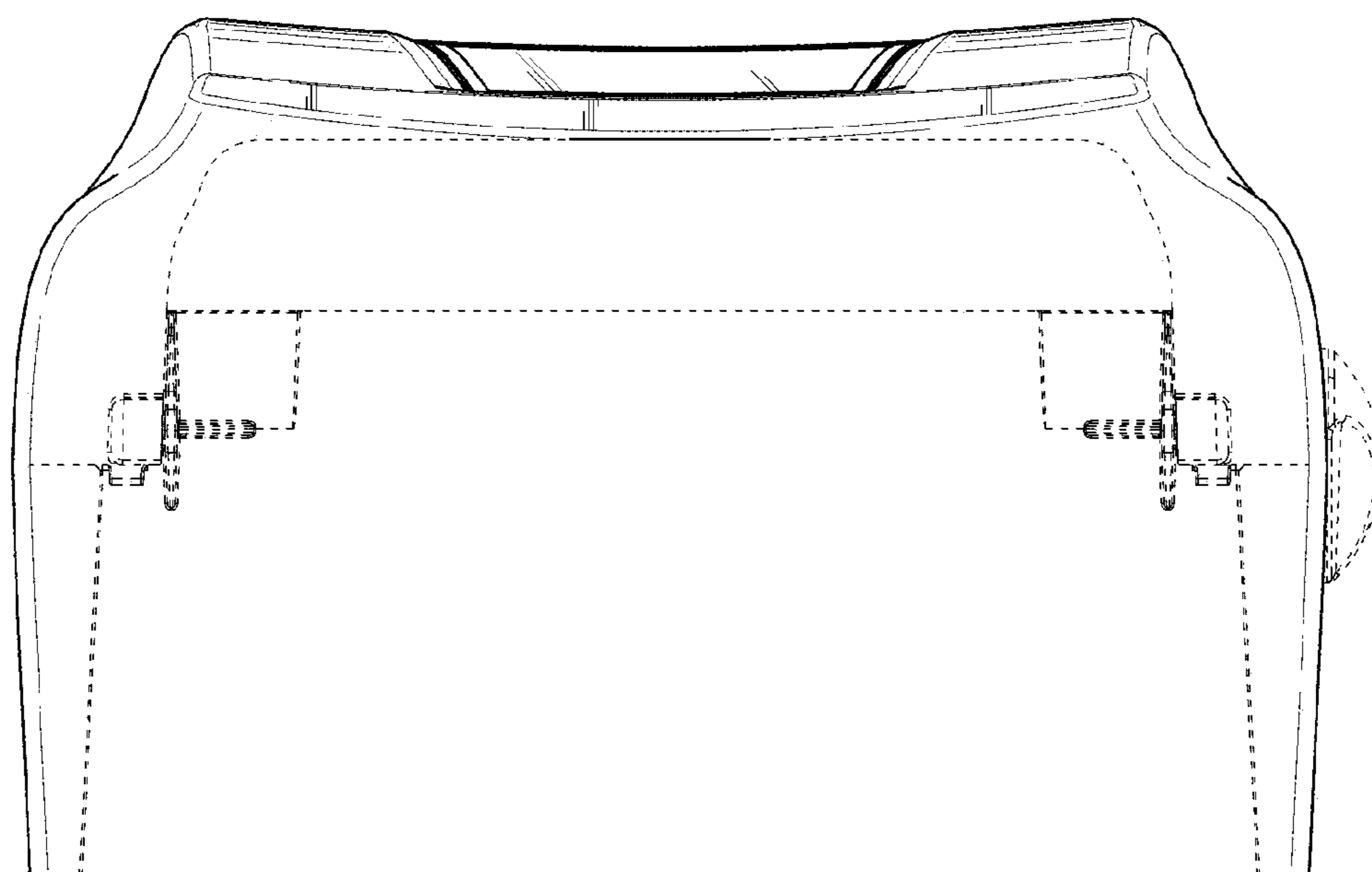


FIG. 7