



US00D756682S

(12) **United States Design Patent**
Orwin

(10) **Patent No.:** **US D756,682 S**

(45) **Date of Patent:** **** May 24, 2016**

(54) **MATERIAL HOLDER WITH SPIKE**

(71) Applicant: **Michael Orwin**, London (GB)

(72) Inventor: **Michael Orwin**, London (GB)

(**) Term: **14 Years**

(21) Appl. No.: **29/499,607**

(22) Filed: **Aug. 16, 2014**

(51) **LOC (10) Cl.** **06-99**

(52) **U.S. Cl.**
USPC **D6/516; D8/388**

(58) **Field of Classification Search**
USPC D6/512, 552; D8/71, 356, 368, 384,
D8/385, 388, 391, 392; D21/840
CPC E04B 1/4121; E04B 1/4135; E04H 15/62;
E04H 15/32; E04H 15/322; F16B 15/00;
F16B 19/14; F16B 15/02; F16B 13/141;
F16L 3/12

See application file for complete search history.

(56) **References Cited**

U.S. PATENT DOCUMENTS

2,583,091	A *	1/1952	Dotterer	A01D 11/00 294/26
2,747,821	A *	5/1956	Falk	F16B 15/02 248/71
2,817,346	A *	12/1957	Whitney	E04H 15/62 135/118
D235,849	S *	7/1975	Hagelberg et al.	D8/392
D253,090	S *	10/1979	Sharley	D8/354
D270,133	S *	8/1983	Craig	D8/1
D309,095	S *	7/1990	Holley	D8/1
D335,994	S *	6/1993	Cude, Jr.	D6/552
D338,795	S *	8/1993	Huang	D6/552

D351,890	S *	10/1994	Rasmusson	D22/147
D375,663	S *	11/1996	Arnold	D21/840
5,575,122	A *	11/1996	Hamilton	E02D 5/801 405/253
D377,076	S *	12/1996	Adams	D21/840
D378,439	S *	3/1997	Gary	D21/840
D379,416	S *	5/1997	Adams	D21/840
D380,569	S *	7/1997	Garber	D21/840
D380,920	S *	7/1997	Uffner	D6/552
D380,947	S *	7/1997	Adams	D21/840
D383,346	S *	9/1997	Whitehead	D6/552
D383,969	S *	9/1997	Adams	D21/840
D446,838	S *	8/2001	Carey	D21/840
7,077,612	B1 *	7/2006	Diggle, III	A63B 27/00 248/303
D614,021	S *	4/2010	Lecours	D8/385
D690,573	S *	10/2013	Orwin	D10/62
D691,445	S *	10/2013	Orwin	D10/62

* cited by examiner

Primary Examiner — John Windmuller

Assistant Examiner — Steven Czyz

(74) *Attorney, Agent, or Firm* — Weide & Miller, Ltd.

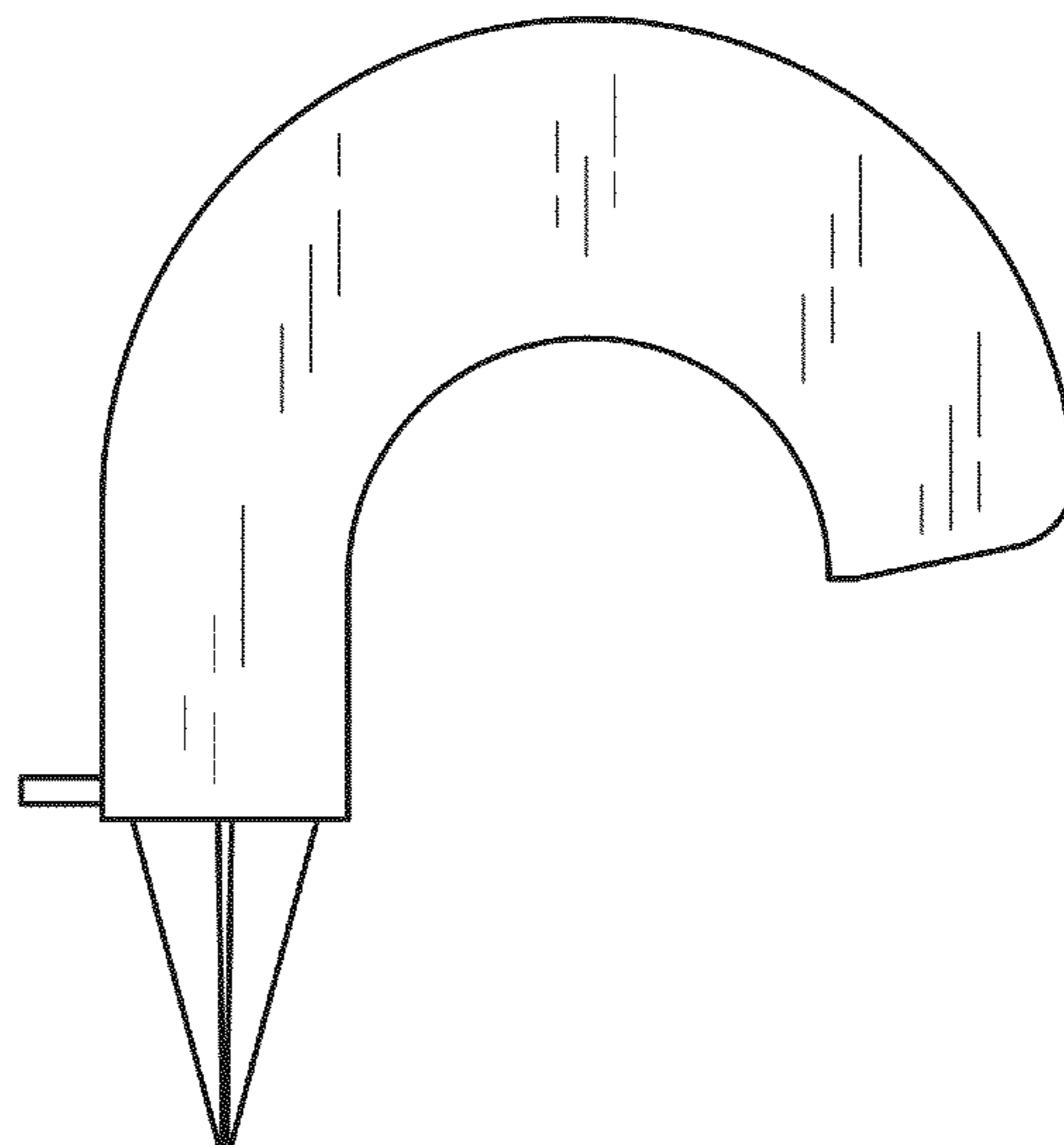
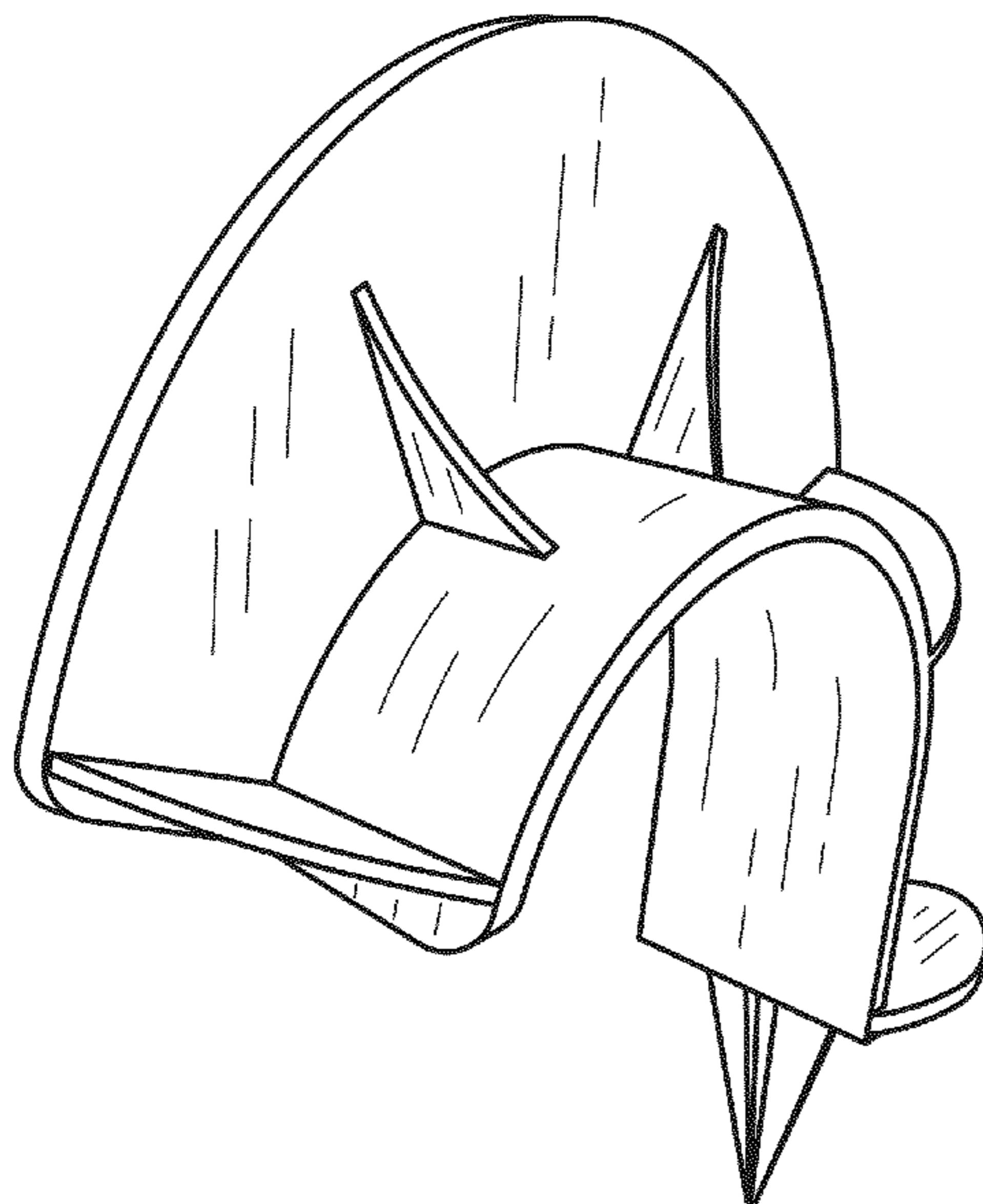
(57) **CLAIM**

The ornamental design for a material holder with spike, as shown and described.

DESCRIPTION

FIG. 1 is a perspective view of the material holder with spike;
FIG. 2 is a top view of the material holder with spike;
FIG. 3 is a front view of the material holder with spike;
FIG. 4 is a right side view of the material holder with spike;
FIG. 5 is a left side view of the material holder with spike;
FIG. 6 is a bottom view of the material holder with spike; and,
FIG. 7 is a back view of the material holder with spike.

1 Claim, 4 Drawing Sheets



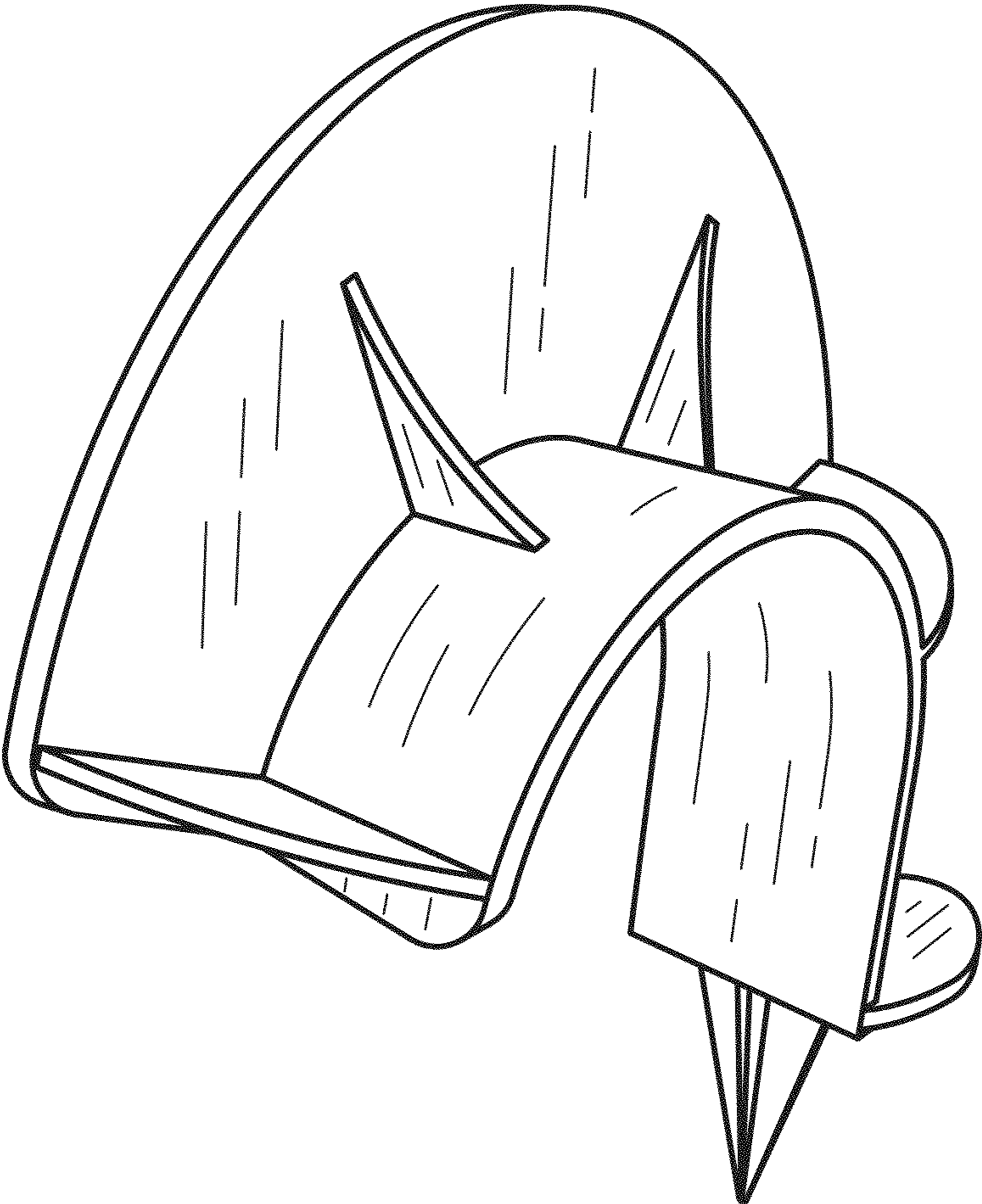


FIG. 1

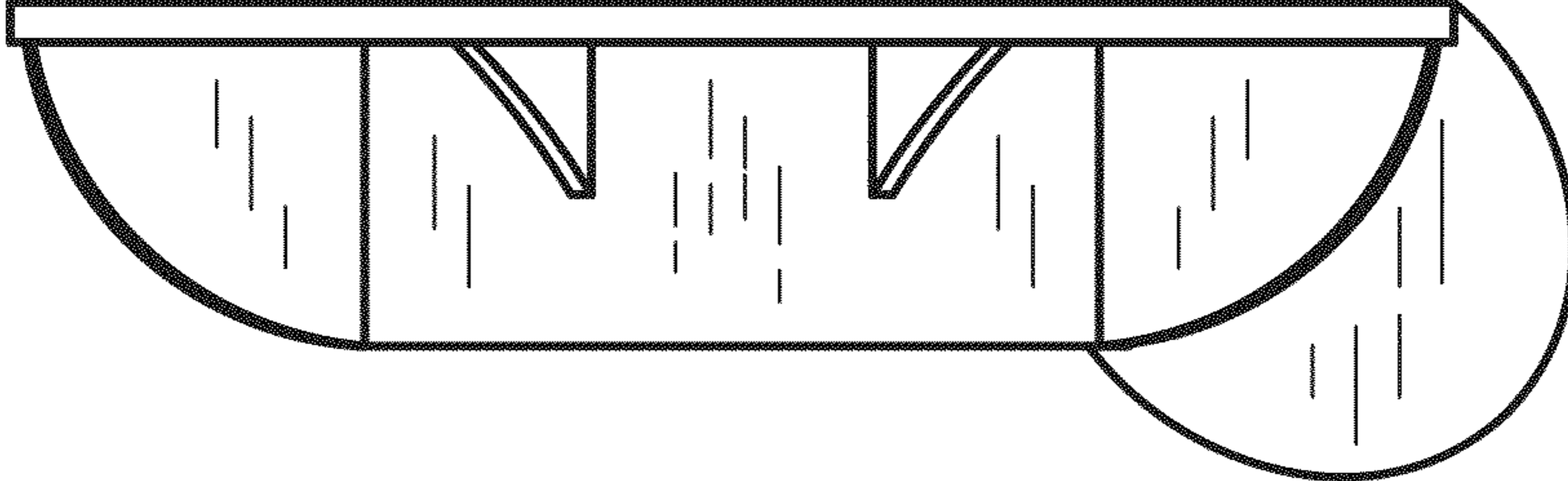


FIG. 2

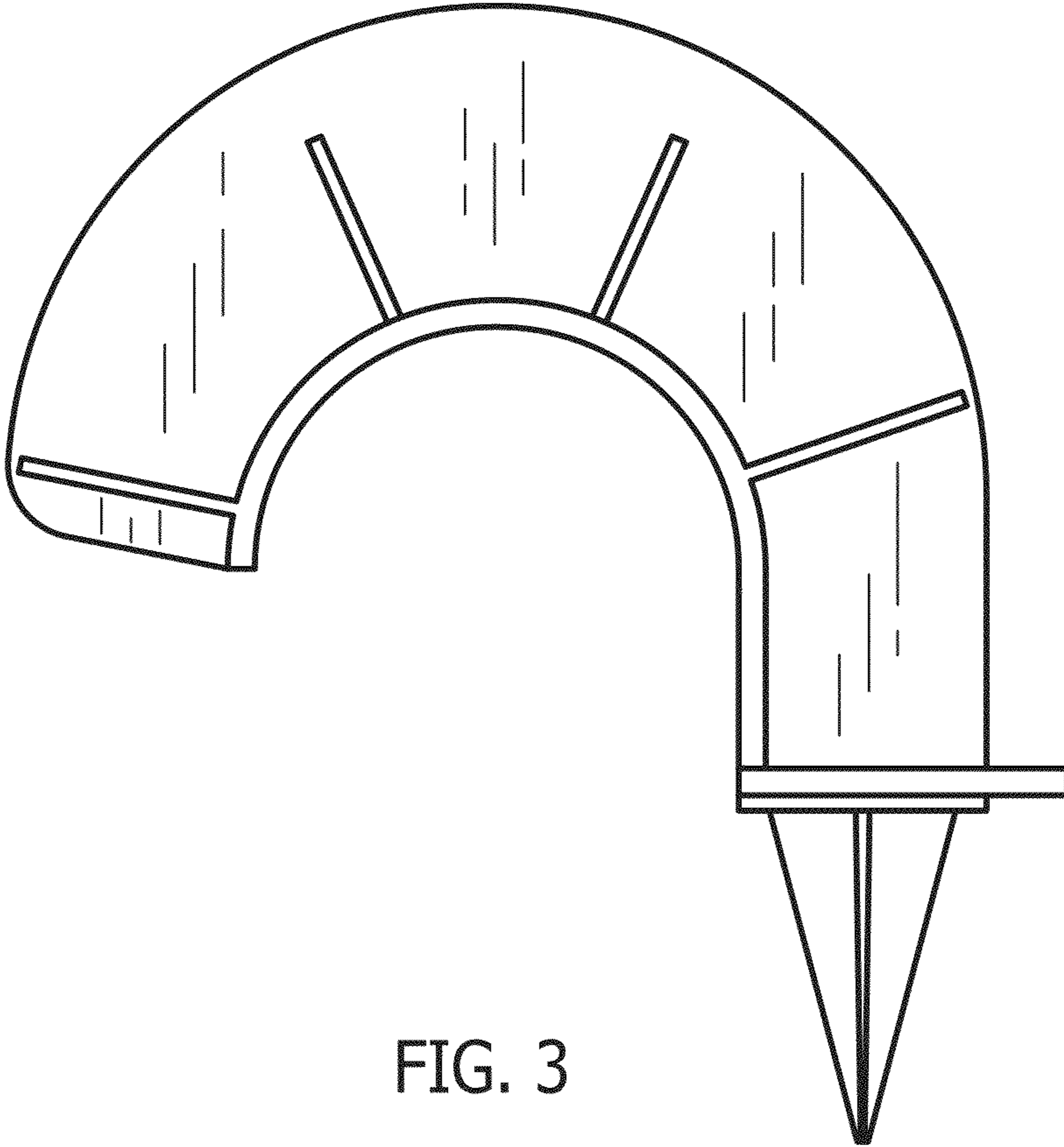


FIG. 3

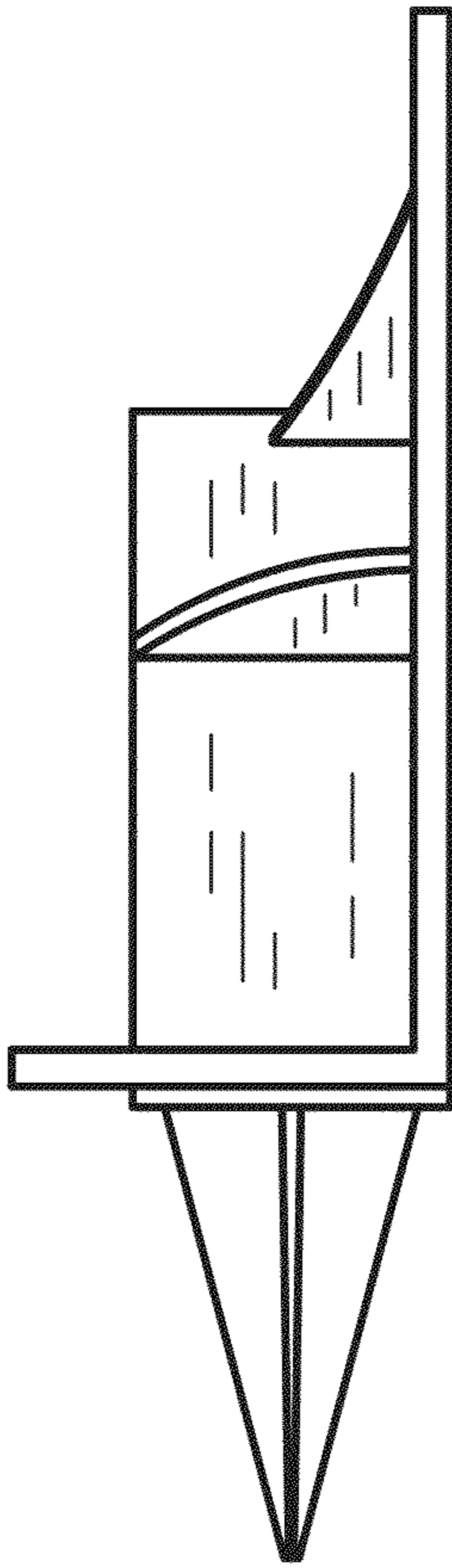


FIG. 4

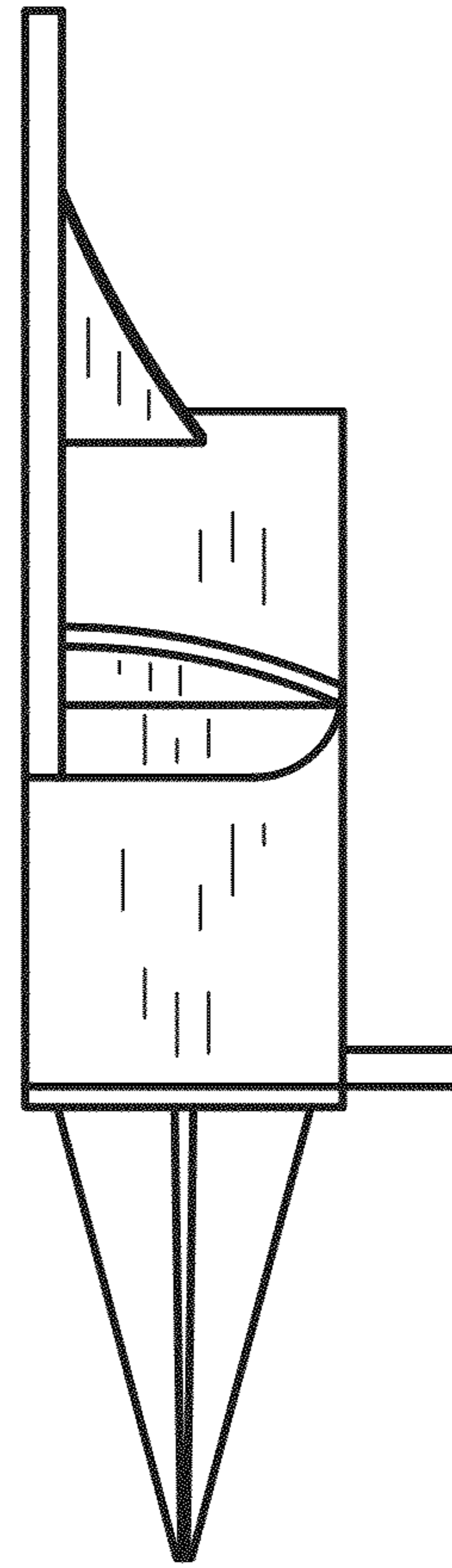


FIG. 5



FIG. 6

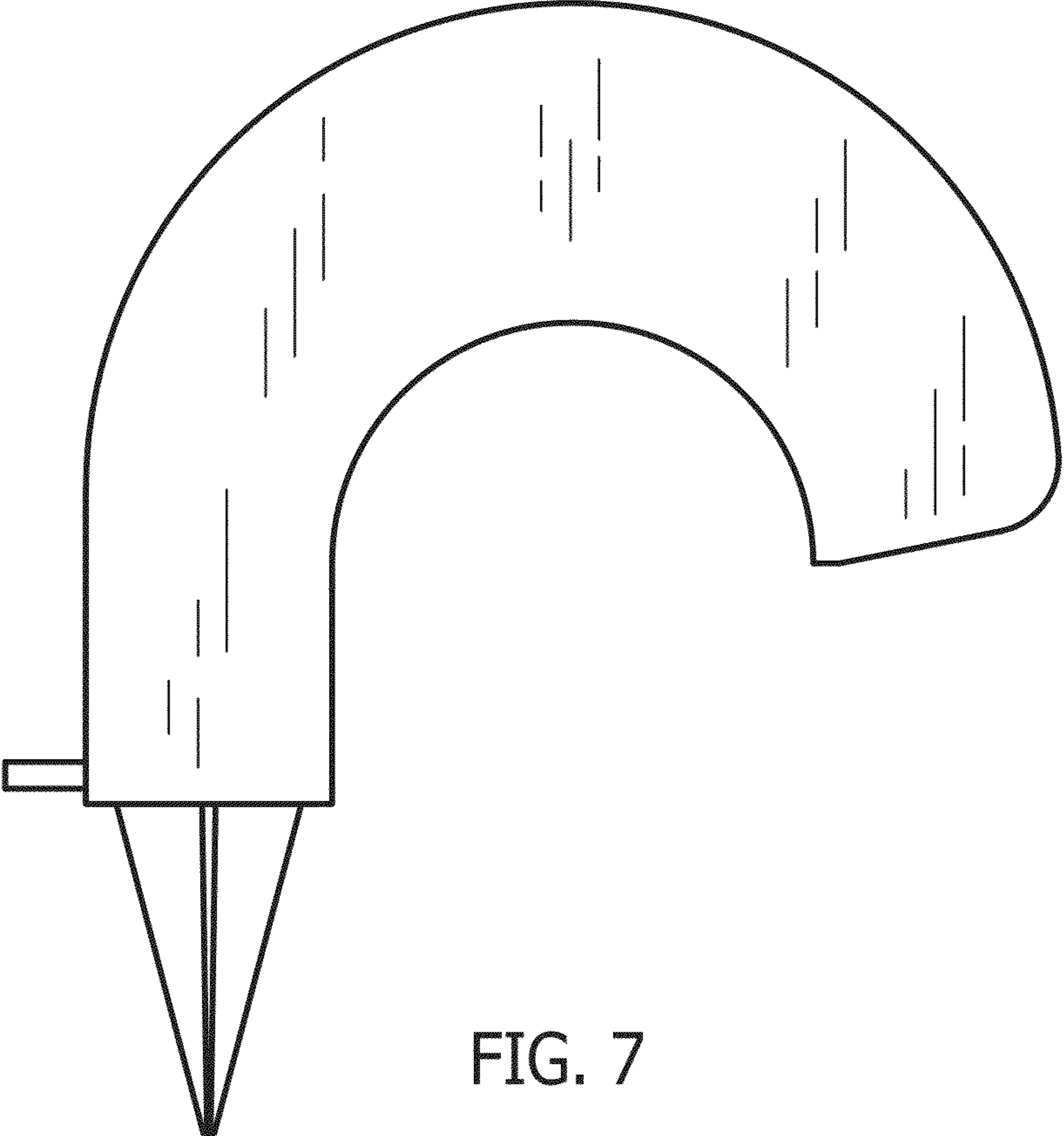


FIG. 7