



US00D756681S

(12) **United States Design Patent**  
**MacVittie et al.**

(10) **Patent No.:** **US D756,681 S**

(45) **Date of Patent:** **\*\* May 24, 2016**

(54) **ARTICLE DISPENSER**

A47K 10/34; A47K 10/3836; A47K 10/424  
See application file for complete search history.

(71) Applicant: **DoseSmart, Inc.**, Bethesda, MD (US)

(72) Inventors: **David MacVittie**, Malibu, CA (US);  
**Hale Kpetigo**, Bethesda, MD (US);  
**Michael A Furlotti**, San Francisco, CA (US)

(73) Assignee: **DoseSmart, Inc.**, Bethesda, MD (US)

(\*\*) Term: **14 Years**

(21) Appl. No.: **29/506,512**

(22) Filed: **Oct. 16, 2014**

(51) **LOC (10) Cl.** ..... **03-01**

(52) **U.S. Cl.**  
USPC ..... **D6/515; D3/203.2**

(58) **Field of Classification Search**  
USPC ..... **D6/515, 518-523; D3/203.2, 203.4; D9/731**

CPC .. **B65D 85/04; B65D 85/672; B65D 83/0805; B65D 85/66; B65D 85/671; B65D 2519/00019; B65D 2519/00159; B65D 2519/00273; B65D 71/0096; B65D 19/06; B65D 2519/00054; B65D 2519/00089; B65D 2519/00194; B65D 2519/00288; A47K 10/36; A47K 10/38; A47K 10/32; A47K 2010/3253; A47K 10/28; A47K 10/3827; A47K 2010/3233; A47K 10/40; A47K 10/3818; A47K 2010/3206; A47K 10/22; A47K 10/24;**

(56) **References Cited**

U.S. PATENT DOCUMENTS

|              |         |                 |          |
|--------------|---------|-----------------|----------|
| D387,806 S * | 12/1997 | Carlson .....   | D19/100  |
| D396,492 S * | 7/1998  | Carlson .....   | D19/100  |
| D441,228 S * | 5/2001  | Andersson ..... | D6/518   |
| D711,849 S * | 8/2014  | Kimura .....    | D14/188  |
| D723,793 S * | 3/2015  | MacVittie ..... | D3/203.2 |

\* cited by examiner

*Primary Examiner* — Daniel Bui

*Assistant Examiner* — Khawaja Anwar

(74) *Attorney, Agent, or Firm* — Fitzpatrick, Cella, Harper & Scinto

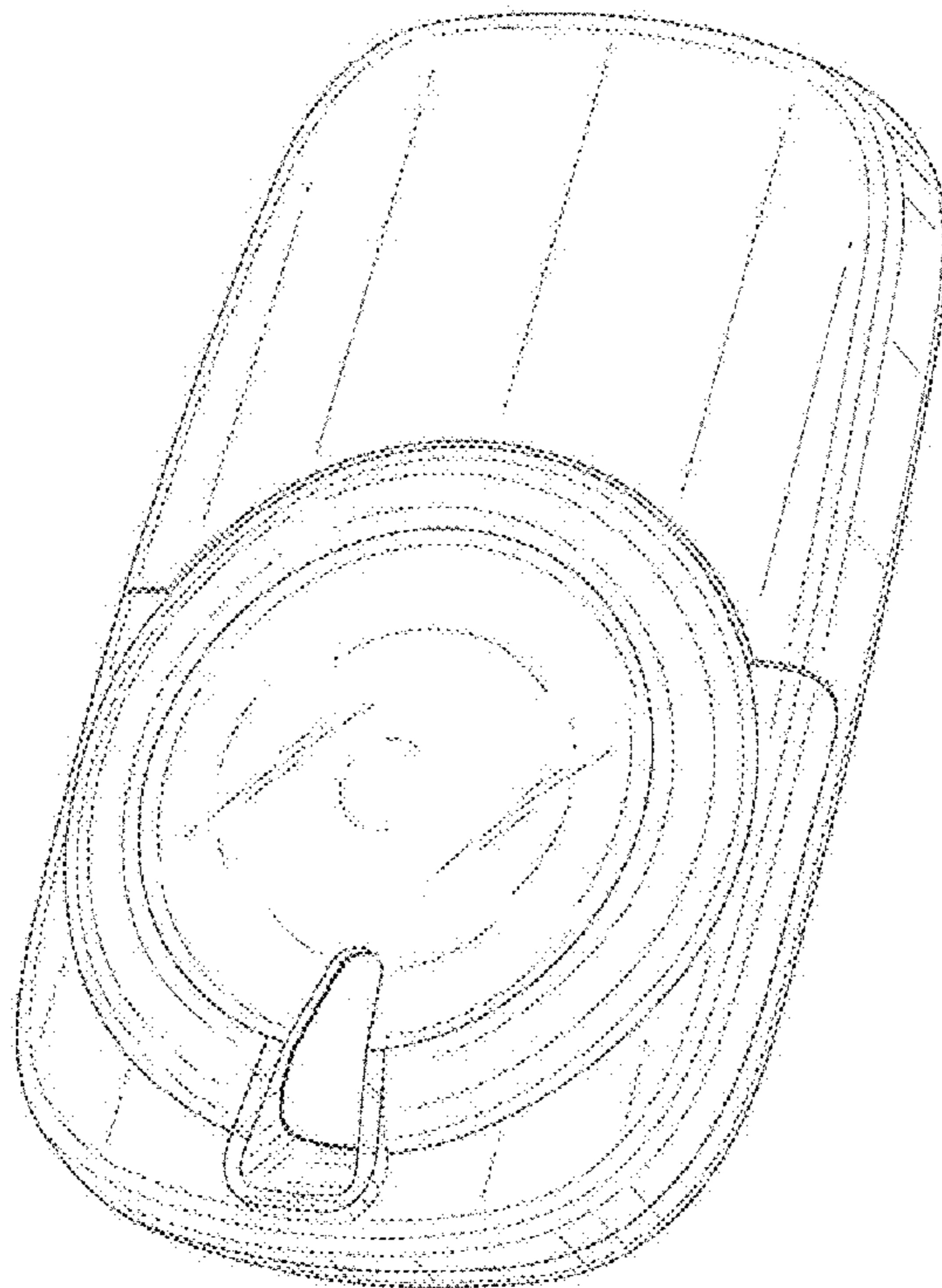
(57) **CLAIM**

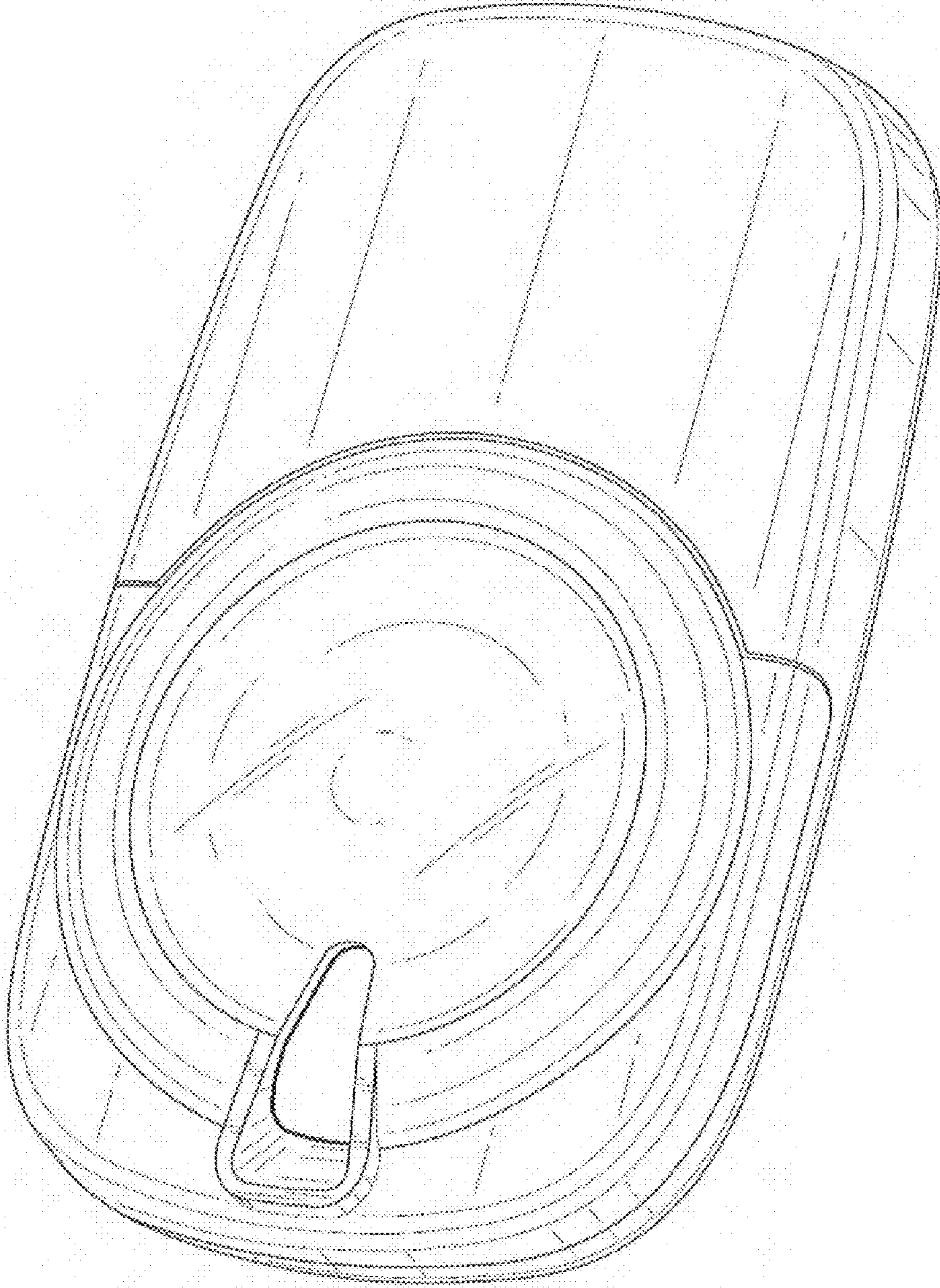
The ornamental design for an article dispenser, as shown and described.

**DESCRIPTION**

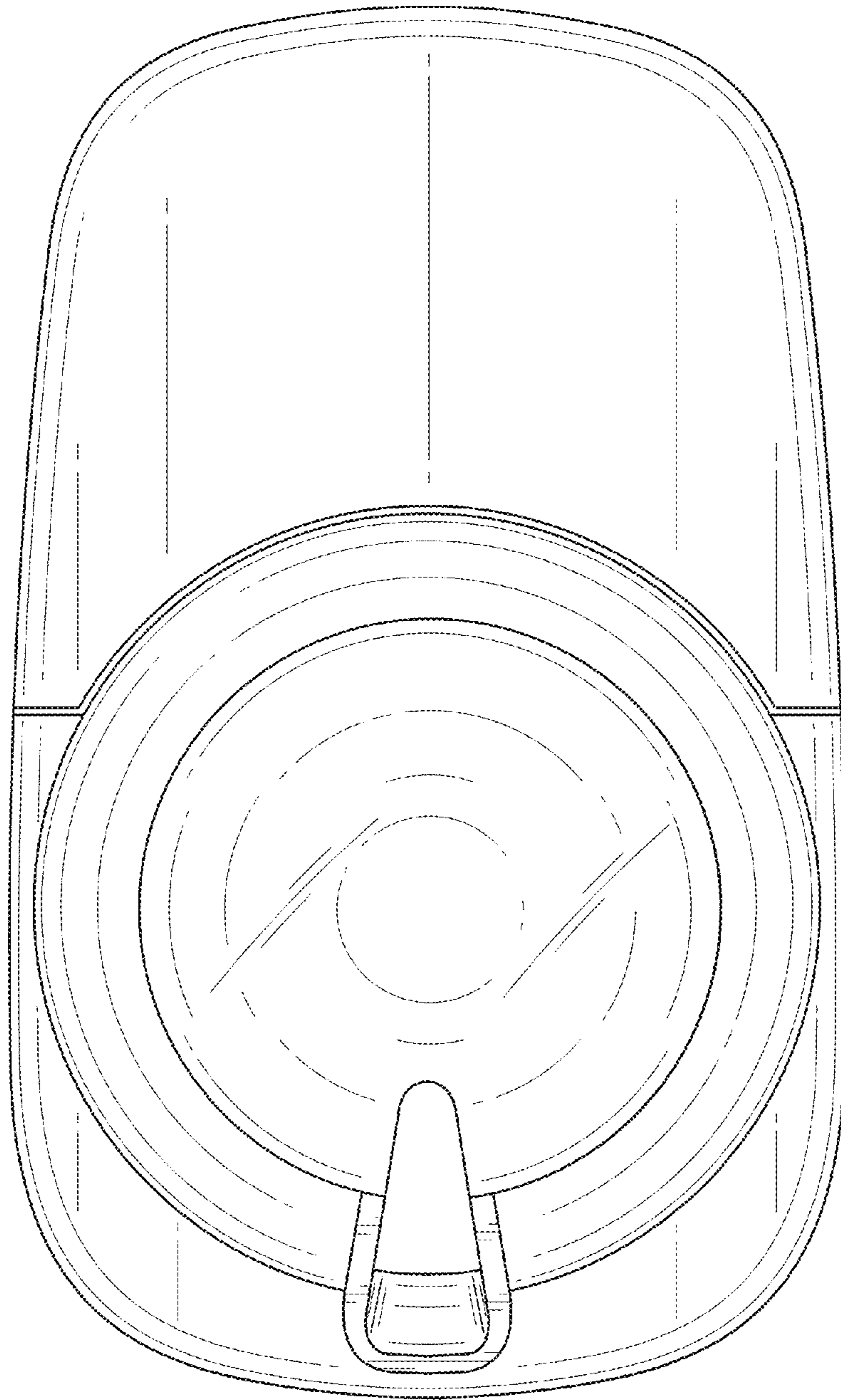
FIG. 1 is a top perspective view of an article dispenser, showing our new design;  
FIG. 2 is a top plan view thereof;  
FIG. 3 is a bottom plan view thereof;  
FIG. 4 is a right side elevation view thereof;  
FIG. 5 is a left side elevation view thereof;  
FIG. 6 is a front elevation view thereof; and,  
FIG. 7 is a rear elevation view thereof.

**1 Claim, 5 Drawing Sheets**

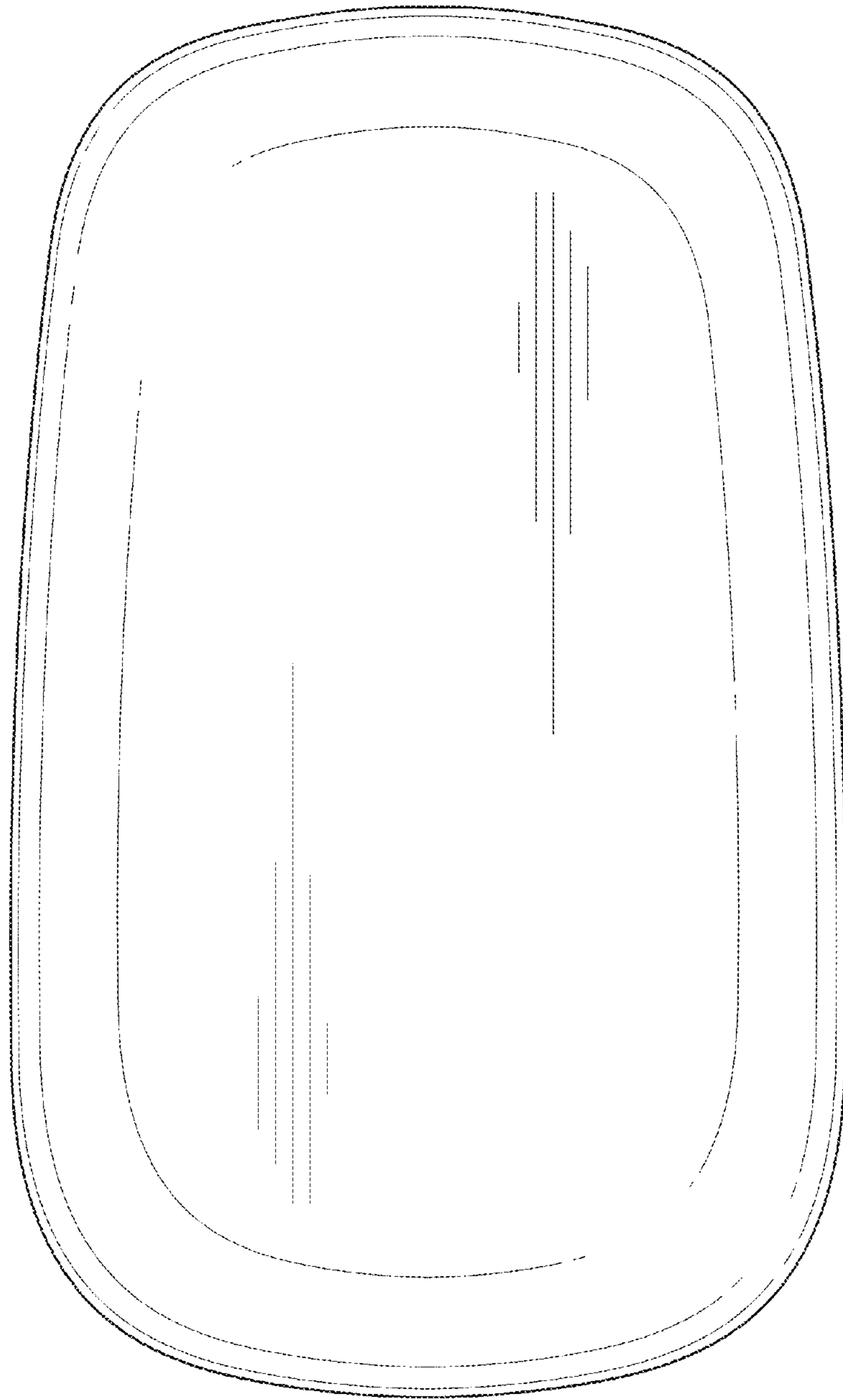




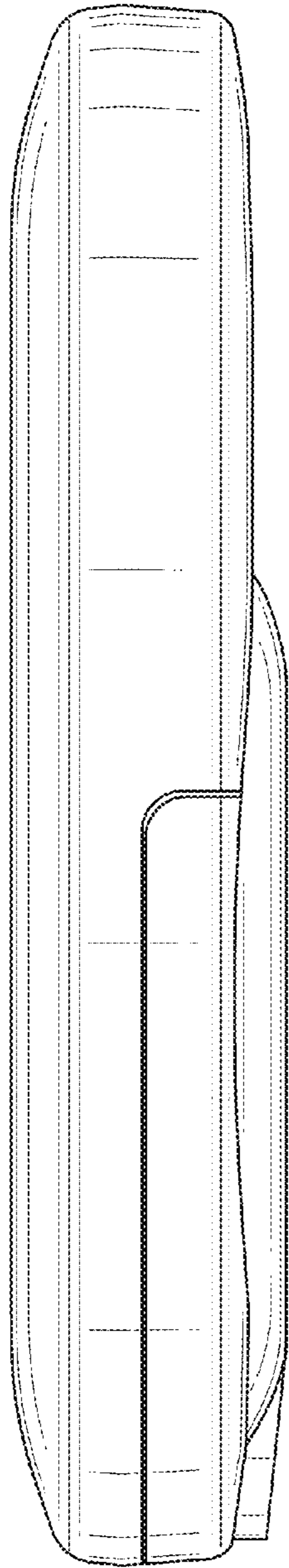
**FIG. 1**



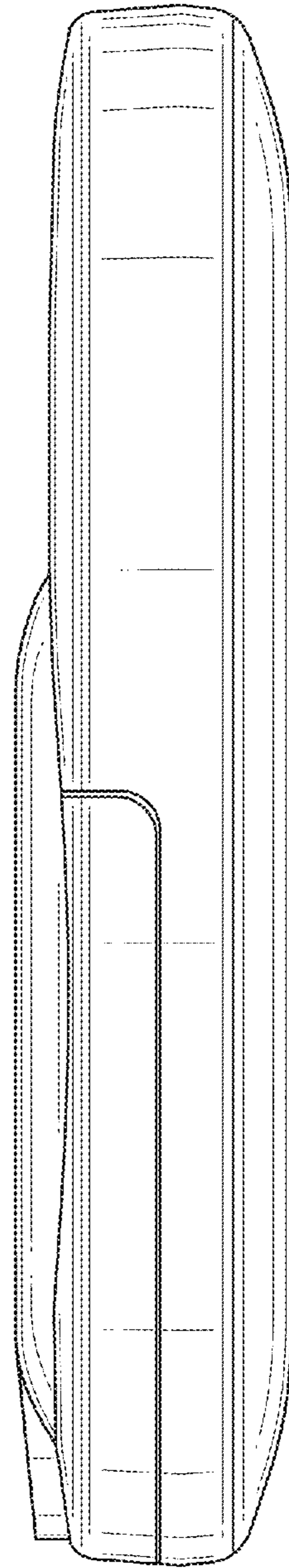
**FIG. 2**



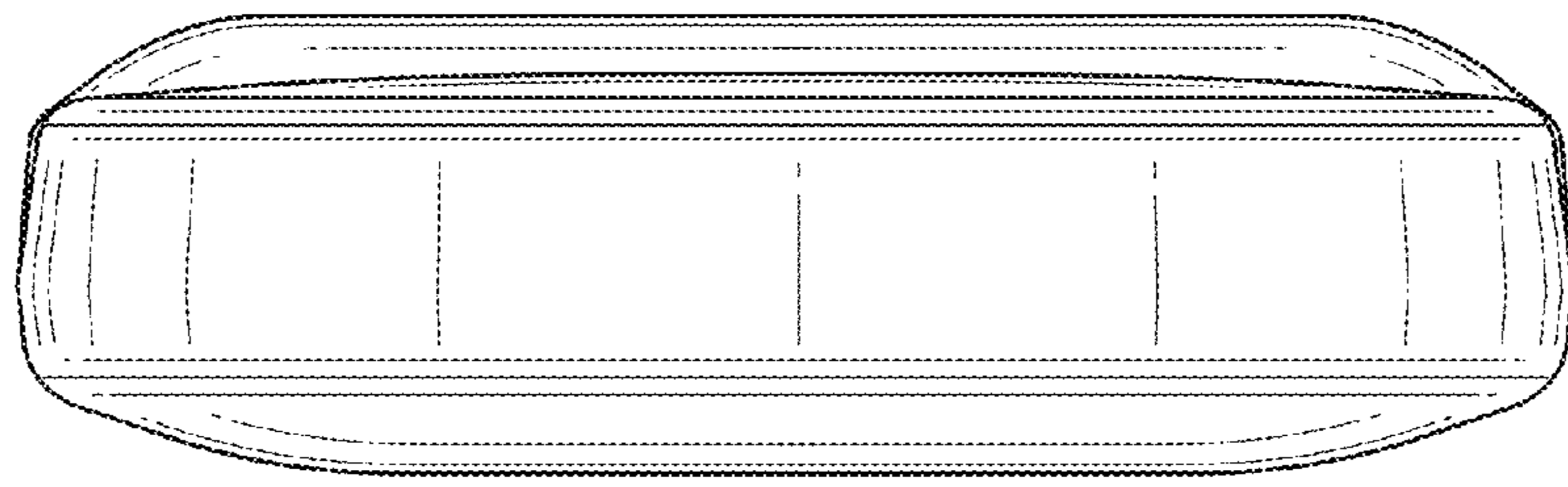
**FIG. 3**



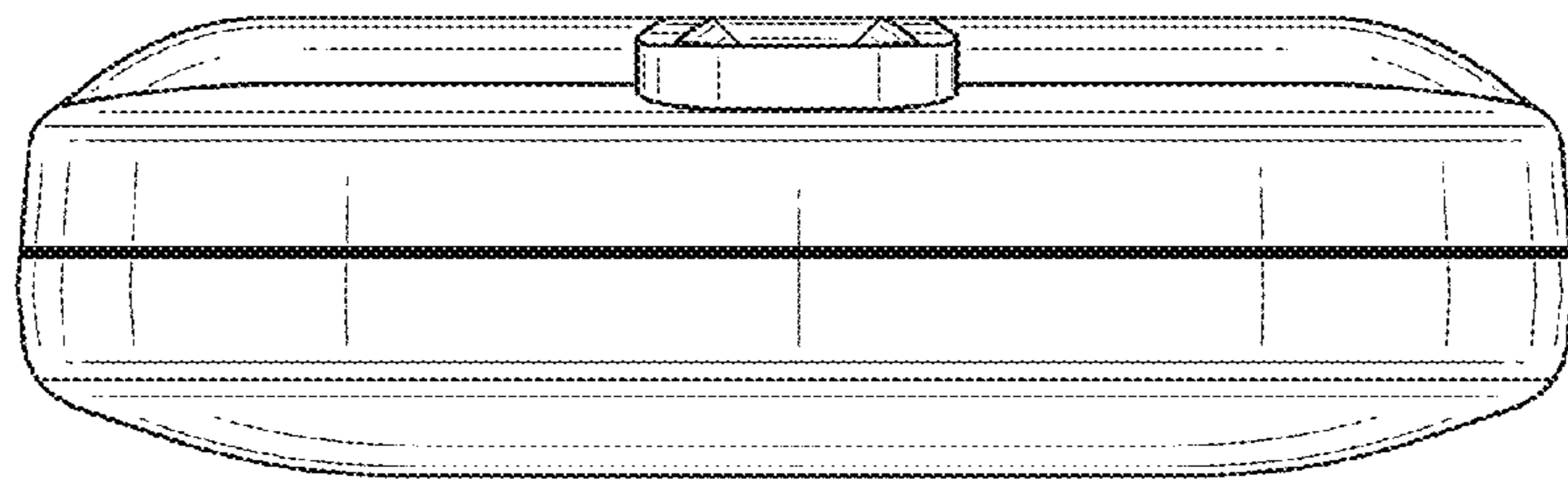
**FIG. 4**



**FIG. 5**



**FIG. 6**



**FIG. 7**