



US00D756678S

(12) **United States Design Patent**  
**Rawls-Meehan**

(10) **Patent No.:** **US D756,678 S**

(45) **Date of Patent:** **\*\* May 24, 2016**

- (54) **ADJUSTABLE BED**
- (71) Applicant: **ASCION, LLC**, Bloomfield Hills, MI (US)
- (72) Inventor: **Martin B. Rawls-Meehan**, Franklin, MI (US)
- (73) Assignee: **ASCION, LLC**, Bloomfield Hills, MI (US)
- (\*\*) Term: **14 Years**
- (21) Appl. No.: **29/491,240**
- (22) Filed: **May 19, 2014**
- (51) **LOC (10) Cl.** ..... **06-02**
- (52) **U.S. Cl.**  
USPC ..... **D6/392**
- (58) **Field of Classification Search**  
USPC ..... D6/382-384, 392-395, 702, 605;  
5/53.1, 279.1, 280, 281, 907, 613, 616,  
5/618, 722  
CPC ..... A47C 19/02; A61G 7/015; A61G 7/00;  
A61G 7/0573  
See application file for complete search history.

- 7,047,579 B2 \* 5/2006 Piana ..... A47C 21/026  
5/193
- D653,870 S \* 2/2012 Messenger ..... D6/361
- D720,553 S \* 1/2015 Rawls-Meehan ..... D6/392
- 2005/0011005 A1 \* 1/2005 Borda ..... A47C 19/04  
5/412
- 2007/0220677 A1 \* 9/2007 Dewert ..... A47C 20/08  
5/618
- 2009/0193587 A1 \* 8/2009 Neuenswander .... A47C 20/041  
5/618
- 2011/0247138 A1 \* 10/2011 Clenet ..... A47C 20/04  
5/613
- 2013/0283531 A1 10/2013 Rawls-Meehan
- 2014/0000033 A1 \* 1/2014 Clenet ..... A61G 7/015  
5/618
- 2014/0352068 A1 \* 12/2014 Xu ..... A47C 20/041  
5/616

\* cited by examiner

*Primary Examiner* — Janice Seeger  
(74) *Attorney, Agent, or Firm* — Dinsmore & Shohl LLP;  
Douglas L. Wathen

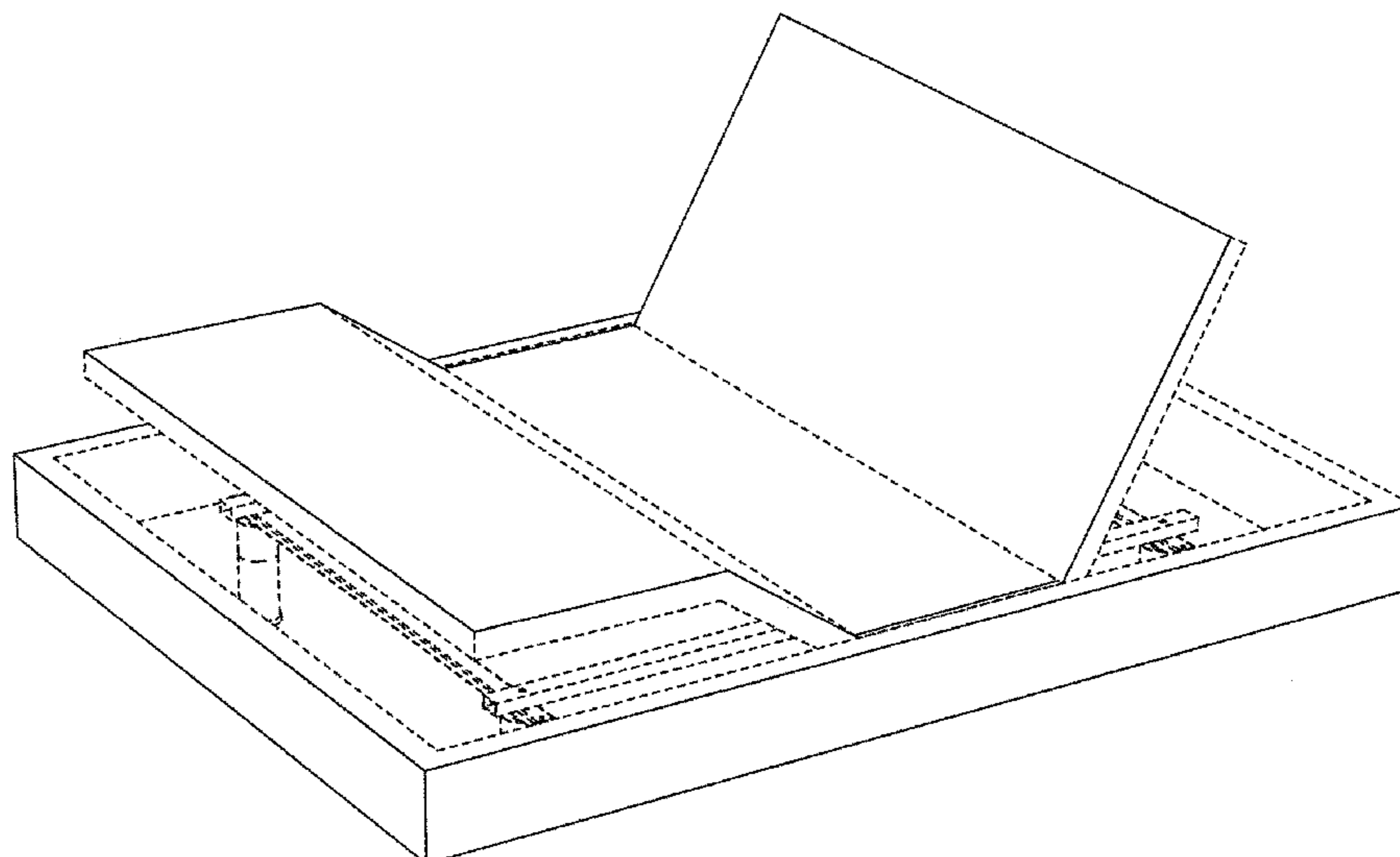
(57) **CLAIM**  
The ornamental design for an adjustable bed, as shown and described.

**DESCRIPTION**

FIG. 1 is a perspective view of an adjustable bed in accordance with the present invention;  
FIG. 2 is a top view of the adjustable bed of FIG. 1;  
FIG. 3 is a side view of the adjustable bed of FIGS. 1 and 2, the opposite side being a mirror image thereof;  
FIG. 4 is a bottom view of the adjustable bed of FIGS. 1-3; and,  
FIG. 5 is a front view of the adjustable bed of FIGS. 1-4.  
The broken lines shown in the Figures are for environmental purposes only and form no part of the claimed design.

**1 Claim, 5 Drawing Sheets**

- (56) **References Cited**  
U.S. PATENT DOCUMENTS
- 3,061,843 A \* 11/1962 Singer ..... A47C 20/043  
5/618
- 3,644,946 A \* 2/1972 Swatt ..... A47C 20/041  
5/616
- 4,095,296 A \* 6/1978 Ferro ..... A47C 20/041  
5/412
- 6,276,011 B1 \* 8/2001 Antinori ..... A47C 20/041  
5/613



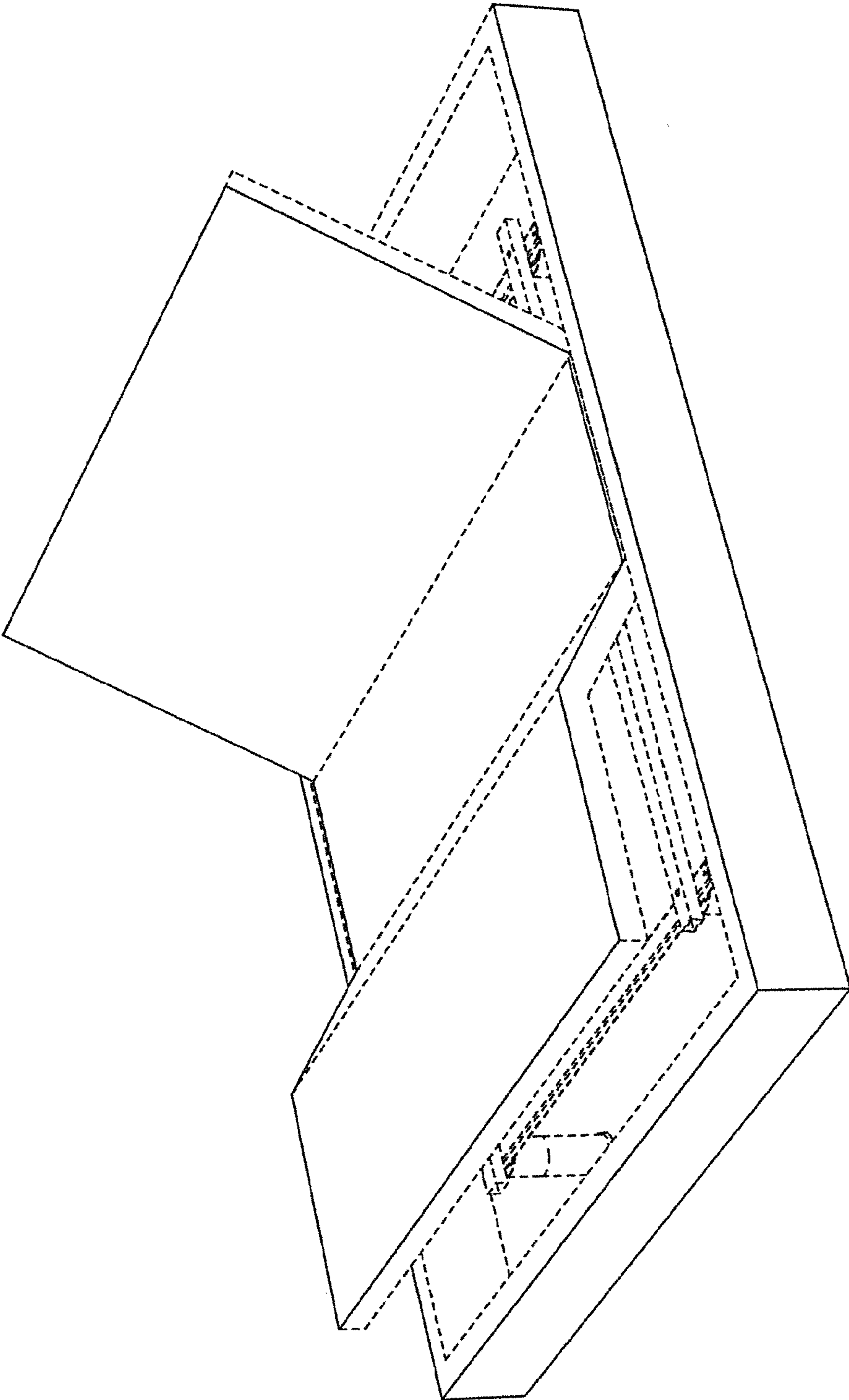


FIG. 1

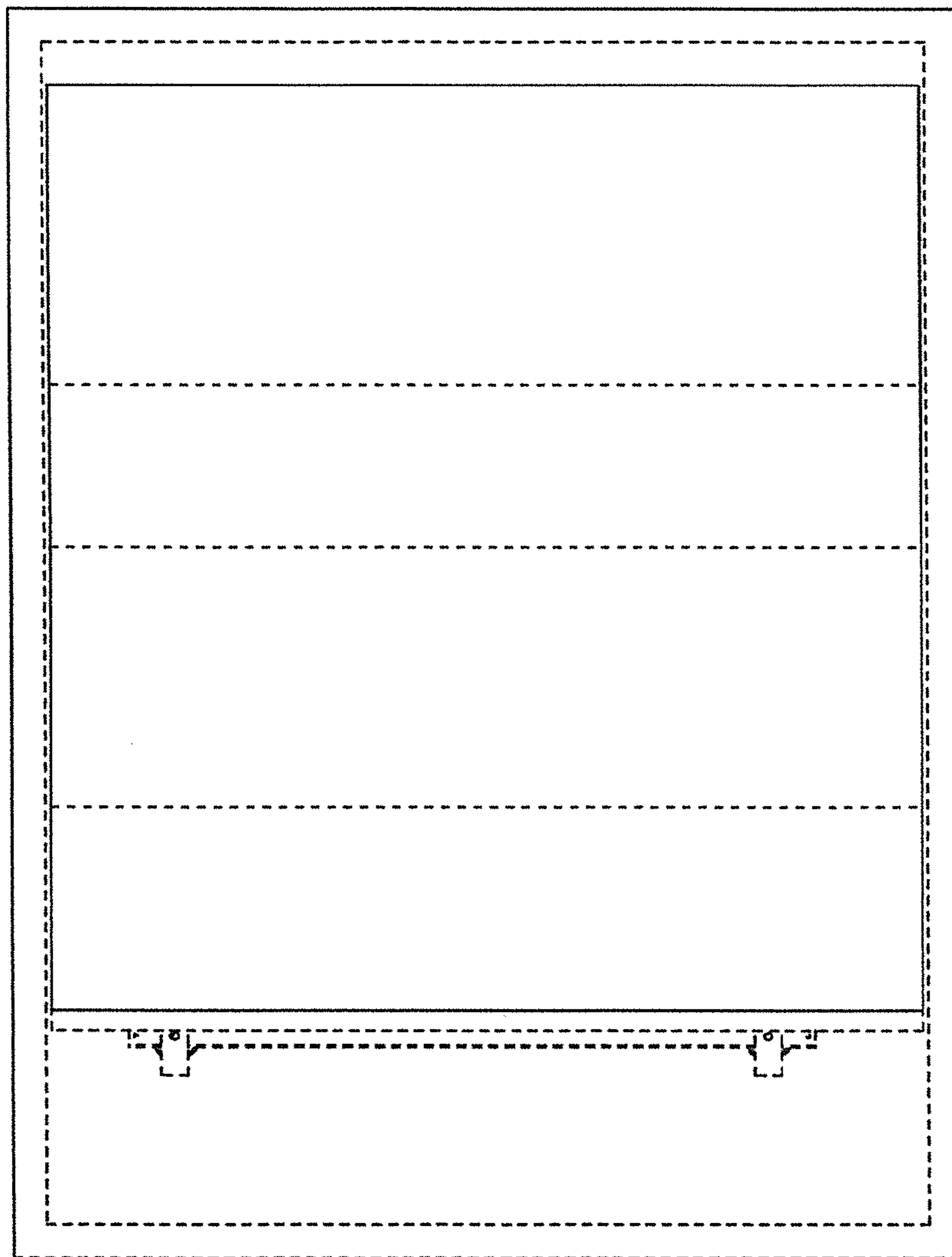


FIG. 2

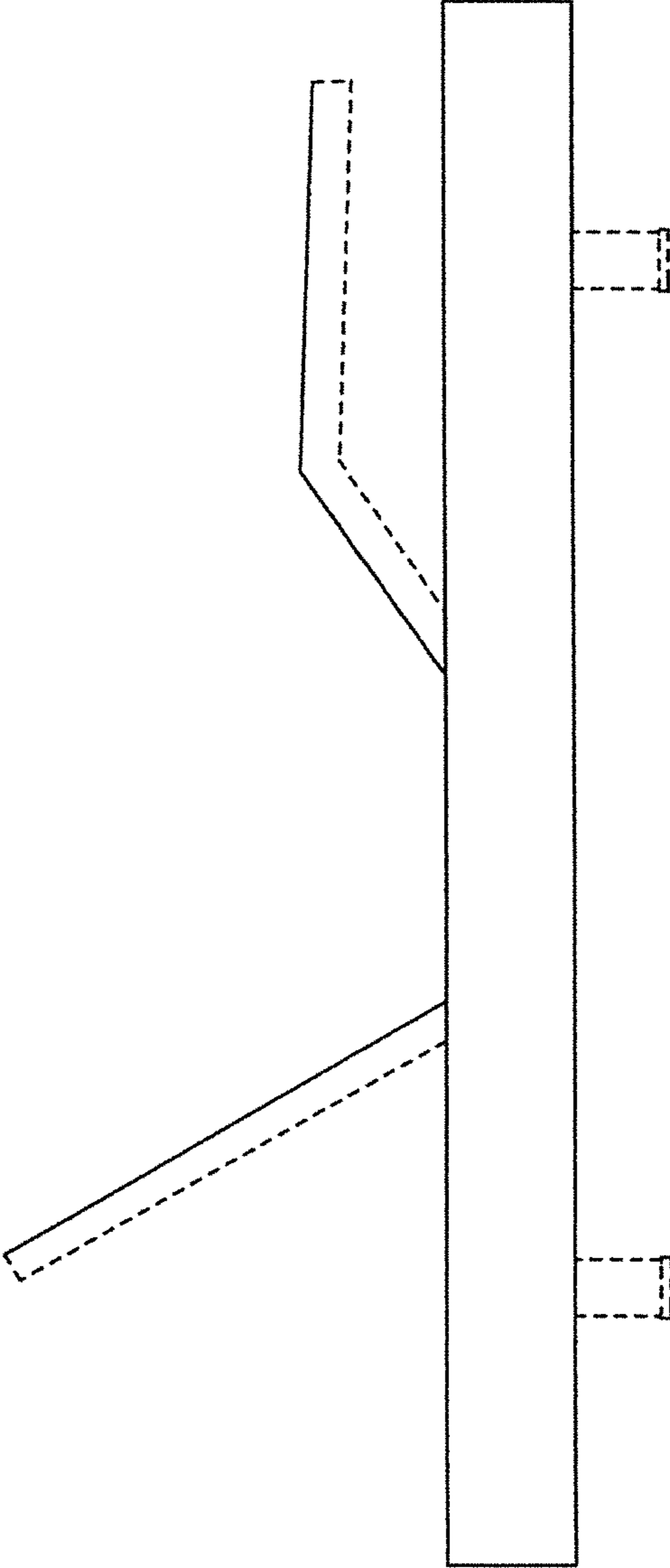


FIG. 3

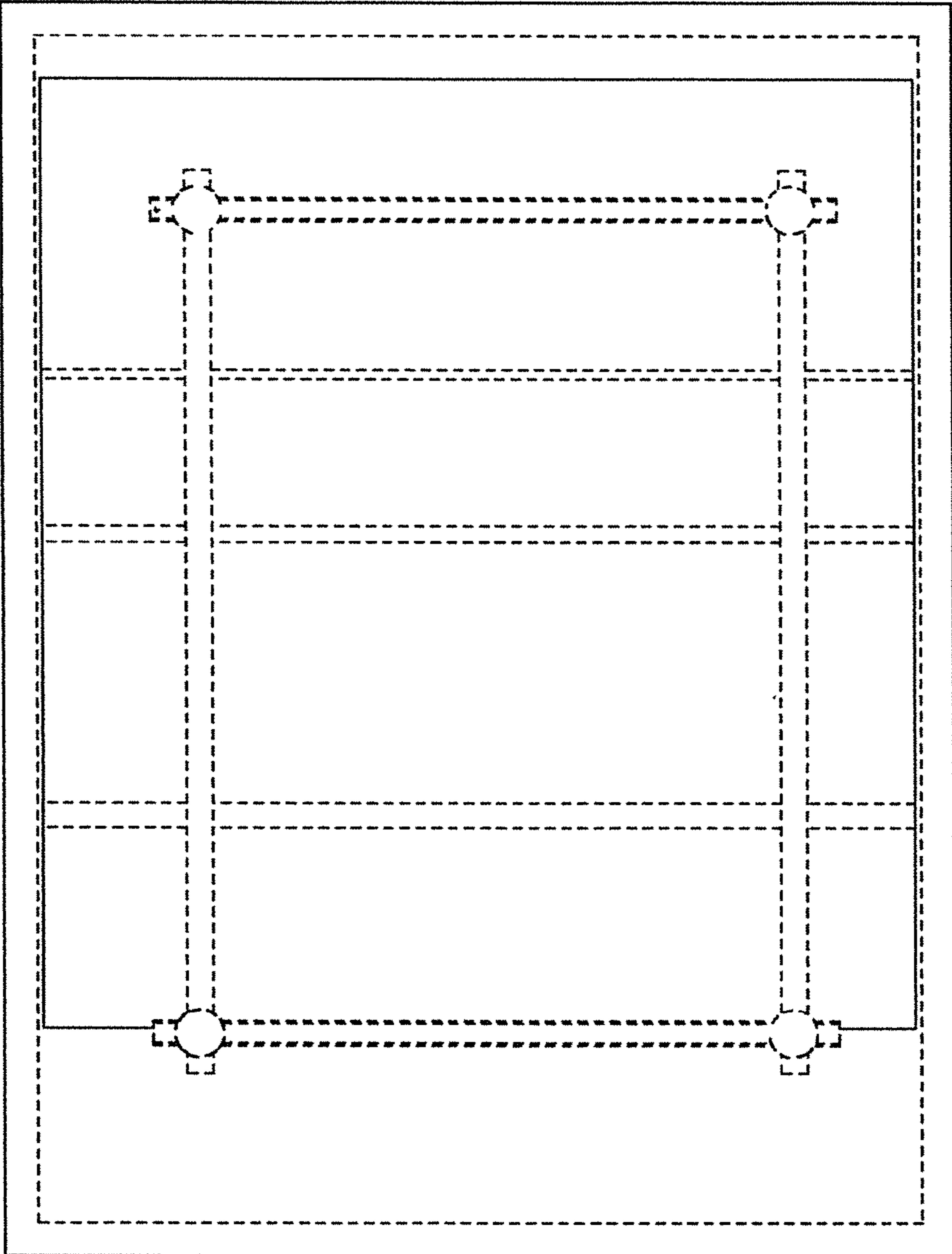


FIG. 4

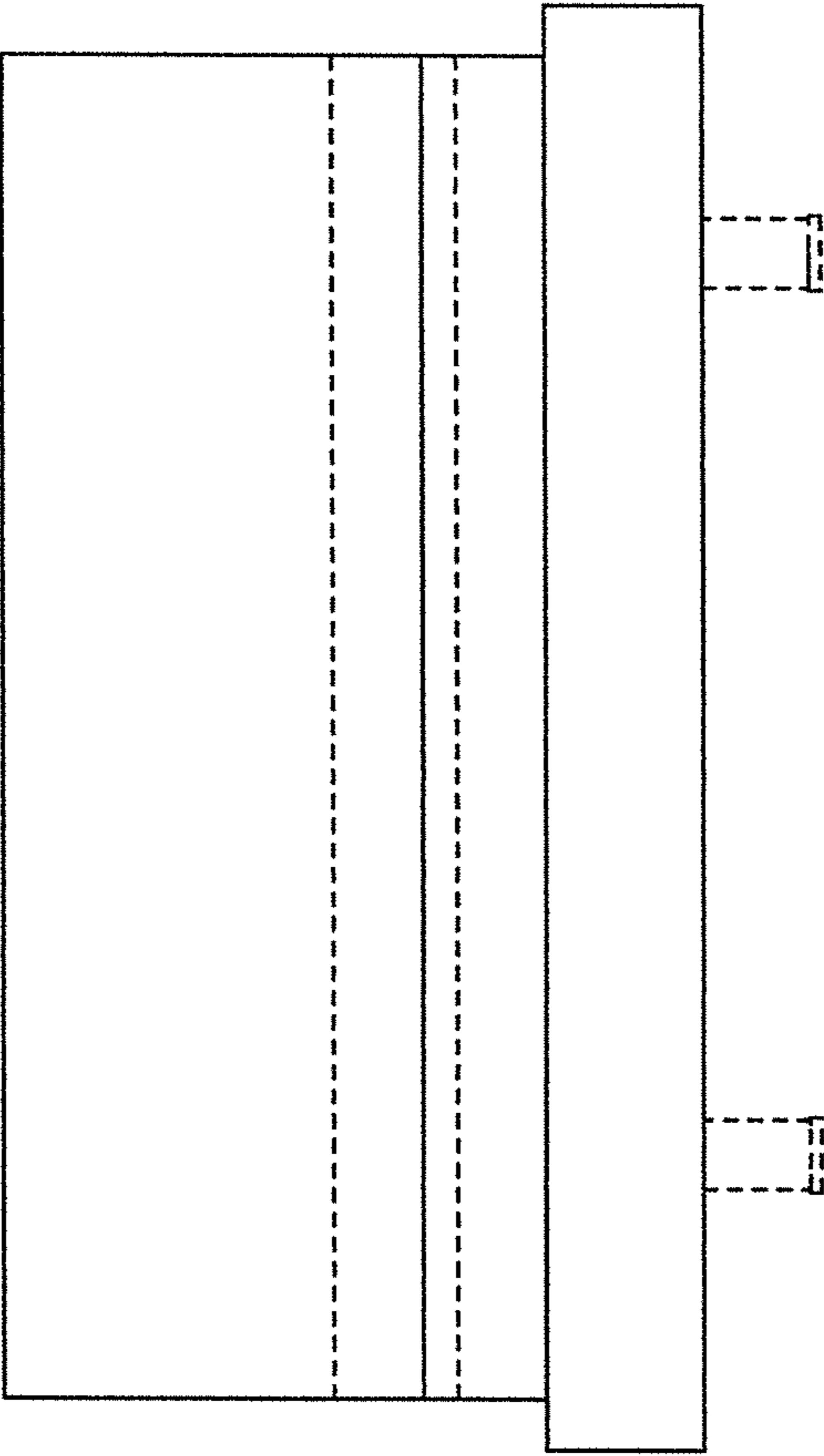


FIG. 5