



US00D756660S

(12) **United States Design Patent**
Zemel et al.

(10) **Patent No.:** **US D756,660 S**
(45) **Date of Patent:** **** May 24, 2016**

(54) **GRILL BRUSH**

(71) Applicant: **BLUE RHINO GLOBAL SOURCING, INC.**, Liberty, MO (US)

(72) Inventors: **Marc Zemel**, Melville, NY (US); **Adam Schillen**, Dix Hills, NY (US)

(73) Assignee: **BLUE RHINO GLOBAL SOURCING, INC.**, Liberty, MO (US)

(**) Term: **14 Years**

(21) Appl. No.: **29/517,791**

(22) Filed: **Feb. 17, 2015**

(51) **LOC (10) Cl.** **04-01**

(52) **U.S. Cl.**
USPC **D4/120**

(58) **Field of Classification Search**
USPC D4/116–120, 127, 128, 130–138, 199;
D32/35, 40, 46; 15/111, 229.11,
15/229.13, 160, 1, 104.001, 105, 105.52,
15/106, 107, 114, 143.1, 164, 171, 179,
15/182, 183, 184, 186, 187, 189, 197–200,
15/206, 207, 207.2, 236.01, 88, 93.1,
15/159.1

CPC A46B 3/00; A46B 3/18; A46B 3/22;
A46B 5/00; A46B 5/0004; A46B 5/0008;
A46B 5/0012; A46B 5/002; A46B 5/0041;
A46B 5/0054; A46B 5/0075; A46B 5/0079;
A46B 5/0083; A46B 5/0091; A46B 7/00;
A46B 7/02; A46B 9/00; A46B 9/005; A46B
9/02; A46B 9/025; A46B 9/06; A46B 9/08;
A46B 9/12; A46B 15/00; A46B 15/0051;
A46B 15/0055; A46B 2200/00; A46B
2200/30; A46B 2200/3033; A46B 2200/3073;
A46B 2200/3086; A46B 2200/3093; A46B
2200/40; A46B 2200/405

See application file for complete search history.

(56) **References Cited**

U.S. PATENT DOCUMENTS

201,688 A 3/1878 Leiner
1,501,547 A * 7/1924 Bassett A45D 33/36
15/106
1,587,024 A * 6/1926 Murphy A47L 23/08
15/107
1,635,970 A 7/1927 Cave
D104,029 S * 4/1937 Gray 15/160
2,116,864 A * 5/1938 Fehrenbach A46B 11/063
15/244.1
2,167,196 A 7/1939 Bothum
2,186,832 A 1/1940 Hertzberg
D138,896 S 9/1944 Edmonds

(Continued)

FOREIGN PATENT DOCUMENTS

JP 10113229 5/1998

OTHER PUBLICATIONS

Zemel, Design U.S. Appl. No. 29/496,698, filed Jul. 16, 2014.
(Continued)

Primary Examiner — Susan Moon Lee

(74) *Attorney, Agent, or Firm* — Carter, DeLuca, Farrell & Schmidt, LLP

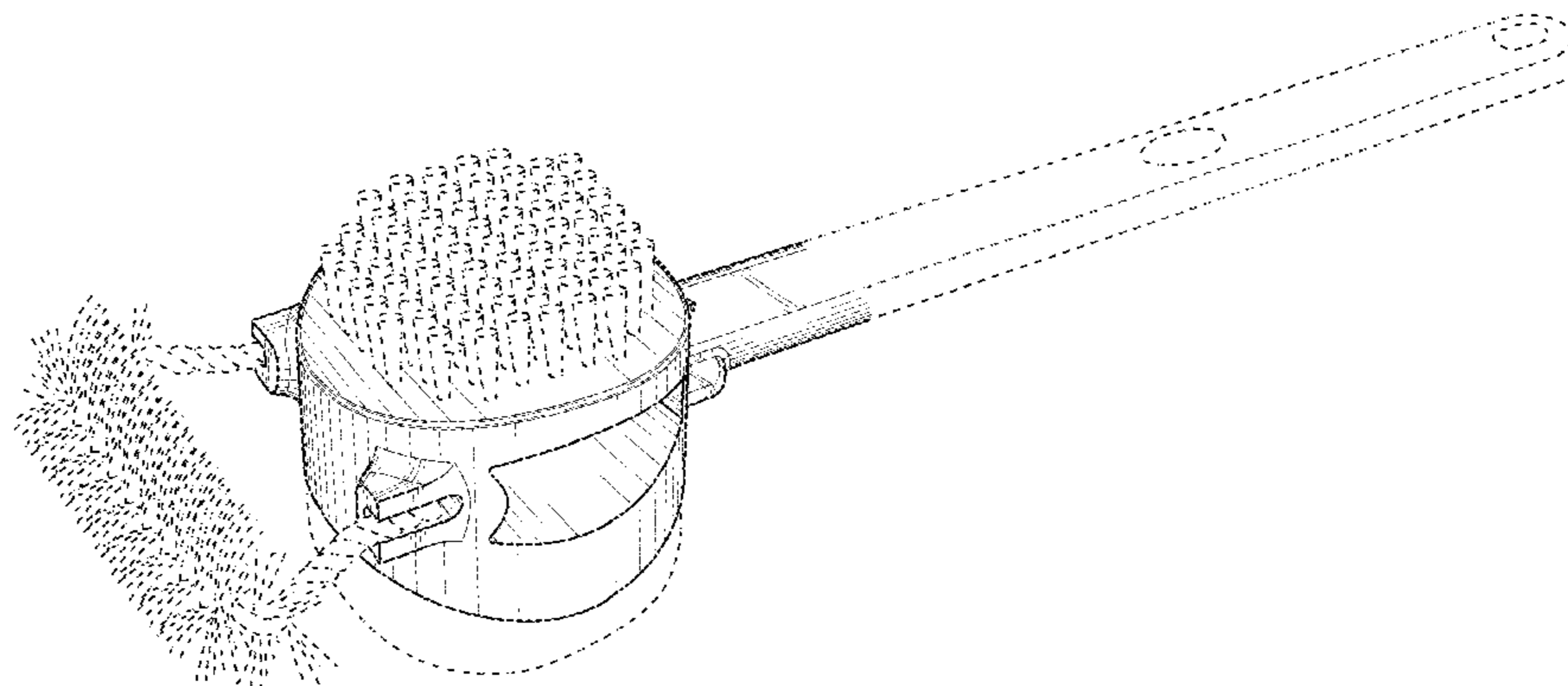
(57) **CLAIM**

The ornamental design for a grill brush, as shown and described.

DESCRIPTION

FIG. 1 is a perspective view of a grill brush in accordance with the present design;
FIG. 2 is a left side elevational view thereof;
FIG. 3 is a right side elevational view thereof;
FIG. 4 is a front side elevational view thereof;
FIG. 5 is a rear side elevational view thereof;
FIG. 6 is a top plan view thereof; and,
FIG. 7 is a bottom plan view thereof.
The broken lines shown in the drawings illustrate portions of the grill brush that form no part of the claimed design.

1 Claim, 4 Drawing Sheets



(56)

References Cited

U.S. PATENT DOCUMENTS

2,891,360 A 6/1959 Duffle
D189,235 S 11/1960 Racina
3,629,895 A 12/1971 Colgan
D223,314 S 4/1972 Goldfeder
D236,071 S 7/1975 Zemke
4,056,863 A 11/1977 Gunjian
4,091,579 A 5/1978 Giangiulio
4,146,943 A 4/1979 Wertheimer et al.
4,730,949 A 3/1988 Wilson
D344,634 S 3/1994 Berti
D345,653 S 4/1994 Joyner et al.
D355,529 S 2/1995 Tsai
D358,491 S 5/1995 Hoagland
D360,763 S 8/1995 Camp et al.
D362,937 S 10/1995 Camp, Jr. et al.
5,471,700 A 12/1995 Pereira
5,479,673 A * 1/1996 Carton A47L 13/12
15/105
D366,962 S 2/1996 Whitaker
D369,472 S 5/1996 Laubach, III et al.
D373,251 S 9/1996 Young
D374,557 S * 10/1996 Whitaker D32/42
D381,483 S 7/1997 Hartman
D392,104 S 3/1998 Berti
D400,328 S 10/1998 Zemel
D403,165 S 12/1998 Ferrante et al.
D411,368 S * 6/1999 Liu D32/42
D417,550 S * 12/1999 Lu D32/42
6,023,810 A * 2/2000 Gessert A47J 37/0786
15/145
D429,889 S 8/2000 Fielding
D437,691 S 2/2001 Weiss
6,216,306 B1 4/2001 Esterson et al.
D445,257 S * 7/2001 Hay D4/120
D455,272 S 4/2002 Zemel
D456,614 S 5/2002 Zemel
6,438,784 B1 8/2002 Yu
6,443,646 B1 9/2002 MacDonald
D466,307 S * 12/2002 Cantrell D32/42
6,499,174 B2 * 12/2002 Henrie A46B 9/02
15/106
D468,107 S 1/2003 Shen
D471,365 S * 3/2003 Henrie D4/120
D502,001 S 2/2005 Hay
D502,323 S 3/2005 Zemel
D532,609 S 11/2006 Zemel
D540,543 S * 4/2007 Hay D4/118
D544,213 S 6/2007 Dow et al.

D544,714 S 6/2007 Zemel
D547,553 S 7/2007 Borovicka et al.
D562,563 S 2/2008 Wales
D563,677 S 3/2008 Zemel
D589,705 S 4/2009 Zemel
D590,600 S 4/2009 Dow et al.
D597,740 S 8/2009 Borovicka et al.
D601,345 S 10/2009 Wales
D601,346 S 10/2009 Wales
D601,347 S 10/2009 Wales
D601,350 S 10/2009 Wales
D601,808 S 10/2009 Wales
7,632,033 B2 12/2009 Wales
D616,204 S 5/2010 Zemel
D632,088 S 2/2011 Zemel
7,909,526 B2 3/2011 Wales
8,032,974 B2 10/2011 Carpenter
D650,590 S 12/2011 Carlson et al.
D652,629 S 1/2012 Zemel
D654,272 S 2/2012 Zemel
D655,511 S 3/2012 Zemel
D658,894 S 5/2012 Zemel
D661,906 S 6/2012 Zemel
D663,125 S 7/2012 Zemel
D663,531 S 7/2012 Zemel
D664,363 S 7/2012 Rothman
D665,178 S 8/2012 Zemel
D690,115 S 9/2013 Zemel et al.
D690,116 S 9/2013 Zemel et al.
D695,019 S 12/2013 Zemel et al.
8,615,838 B1 * 12/2013 Lu A47L 13/12
15/111
D699,949 S 2/2014 Zemel et al.
D720,933 S * 1/2015 Albers D4/120
D748,399 S * 2/2016 Lu D4/118
2003/0070246 A1 4/2003 Cavalheiro
2005/0011029 A1 1/2005 Yu
2009/0031519 A1 * 2/2009 Carpenter A47J 37/0786
15/236.01
2009/0188061 A1 7/2009 Cybulski et al.
2012/0079667 A1 * 4/2012 Ashner, II A47L 13/34
15/118

OTHER PUBLICATIONS

America's Best Barbecue Grill Pro Abrasive Scrubbing Brush—Item # 71448, [online]. America's Best Barbecue, Inc., 2006 [retrieved on May 31, 2013] Retrieved using Internet Archive: http://archive.org/web/20060615000000*/http://www.americasbestbbq.com.

* cited by examiner

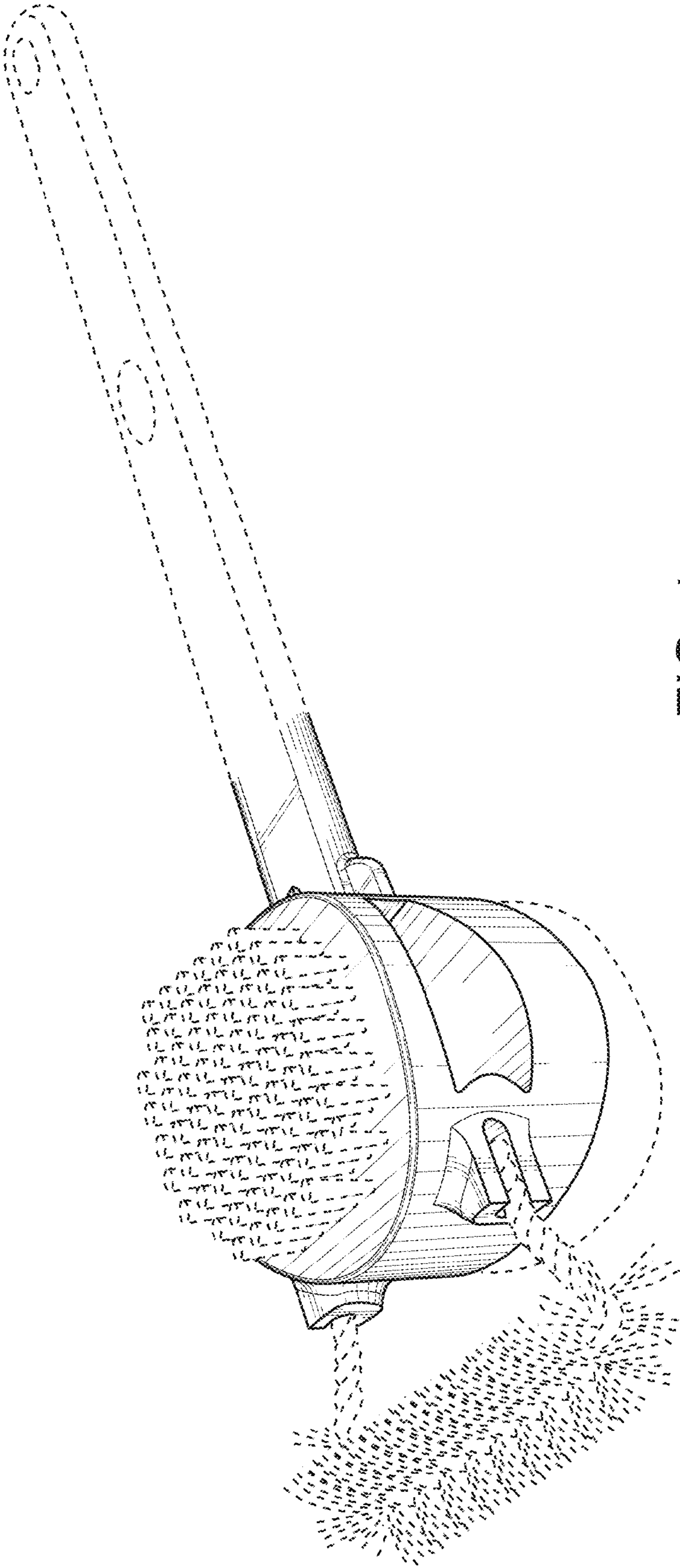


FIG. 1

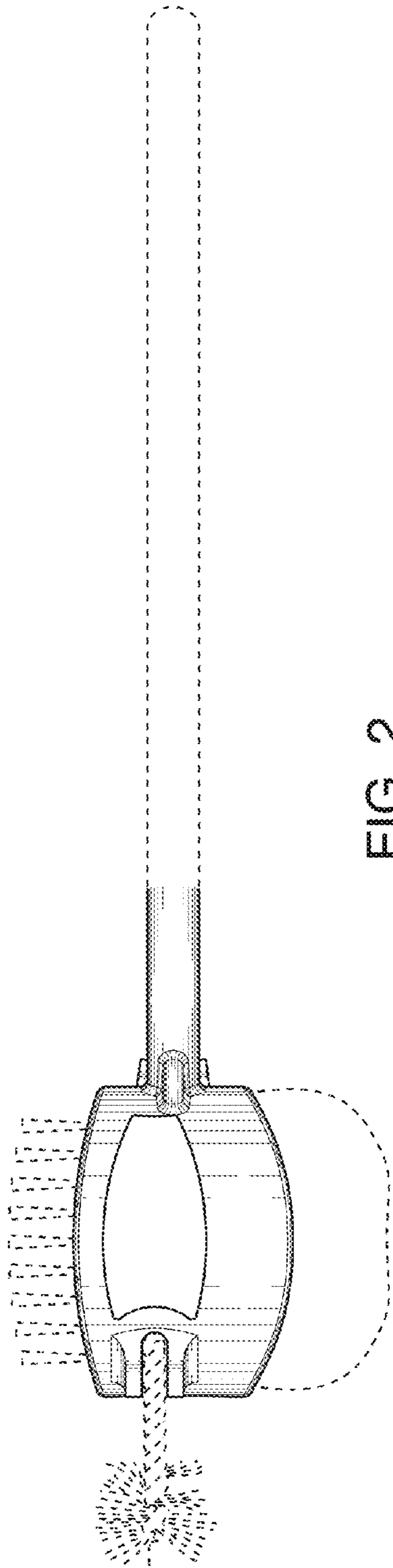


FIG. 2

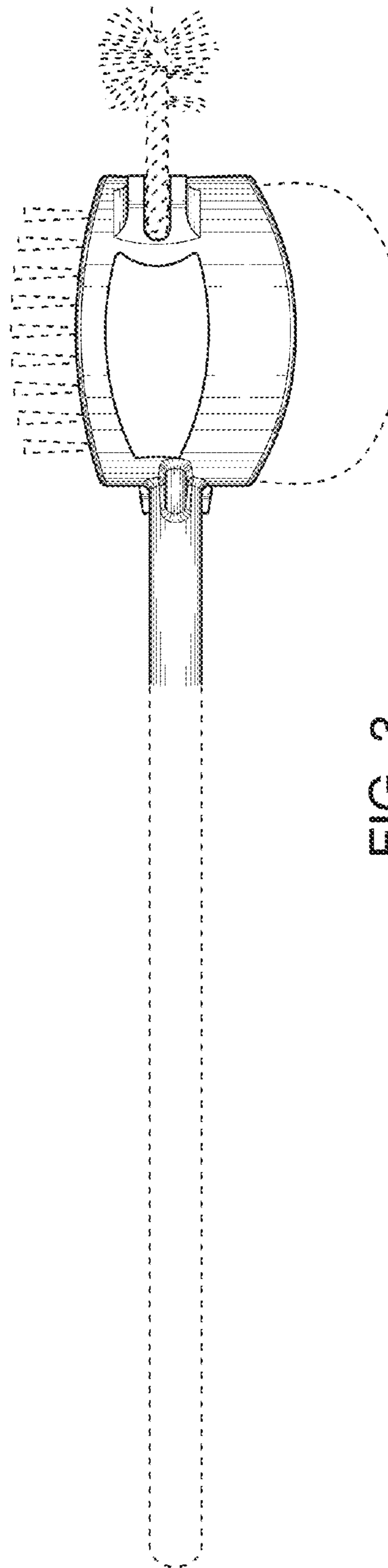


FIG. 3

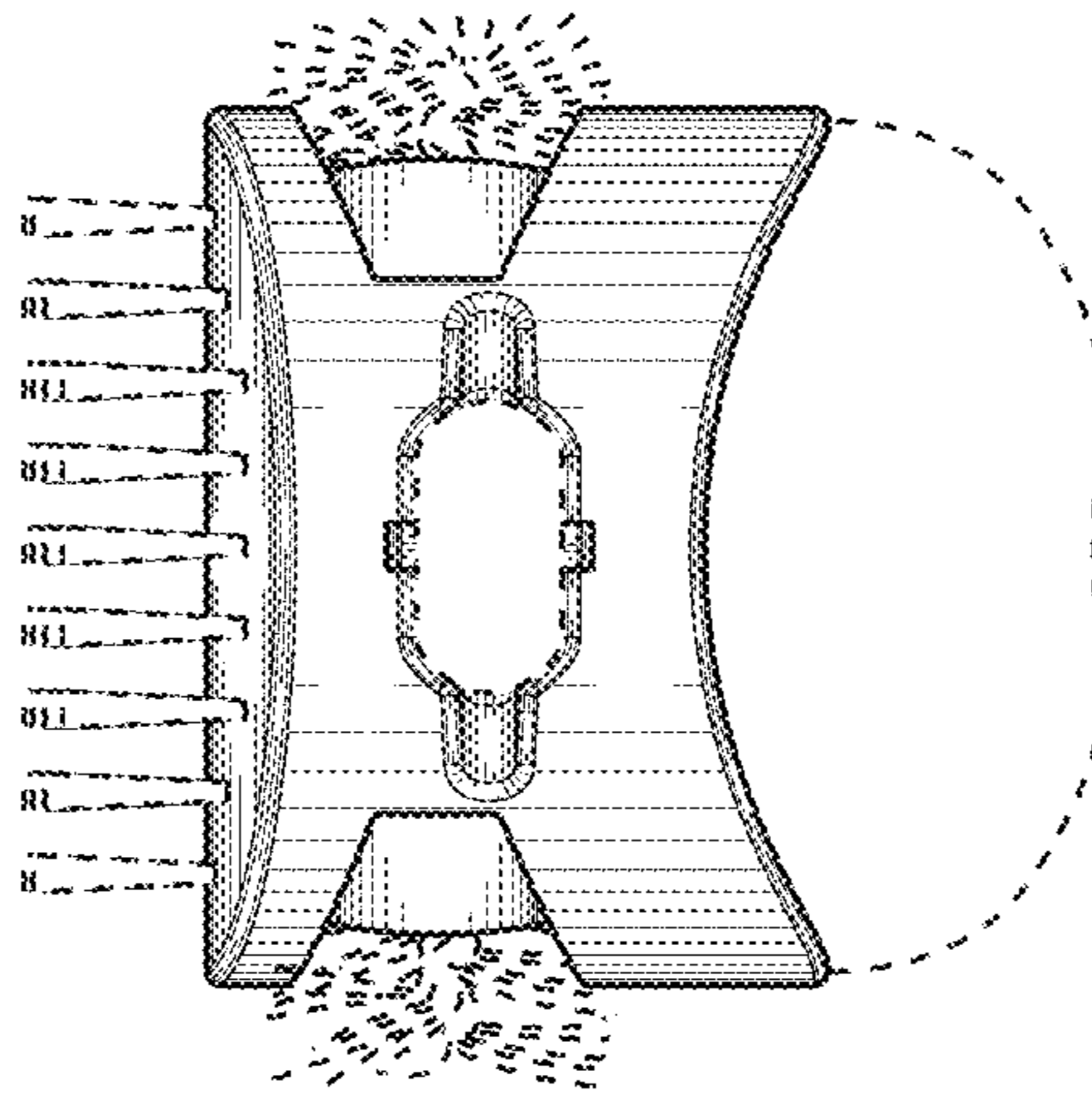


FIG. 5

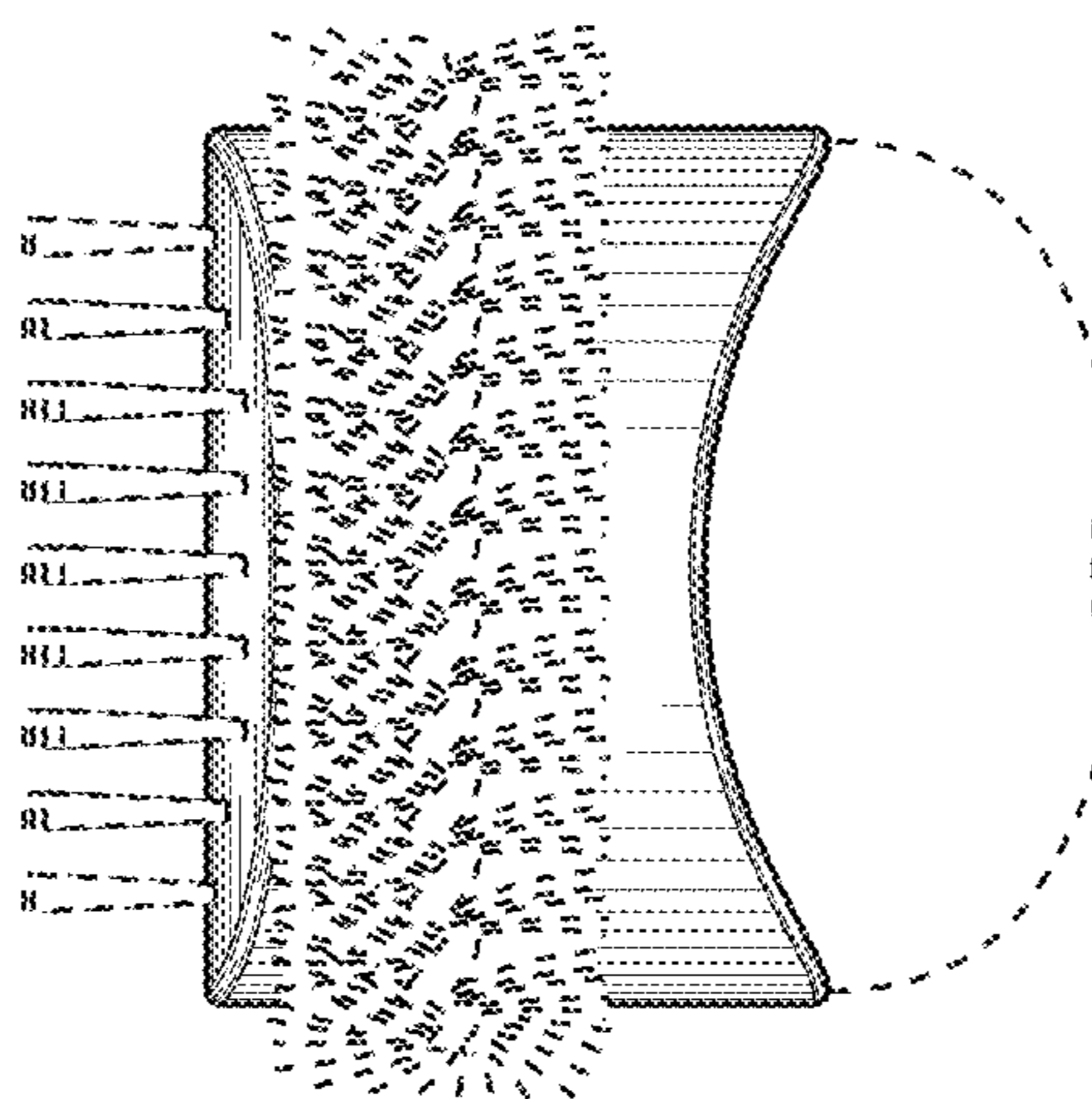


FIG. 4

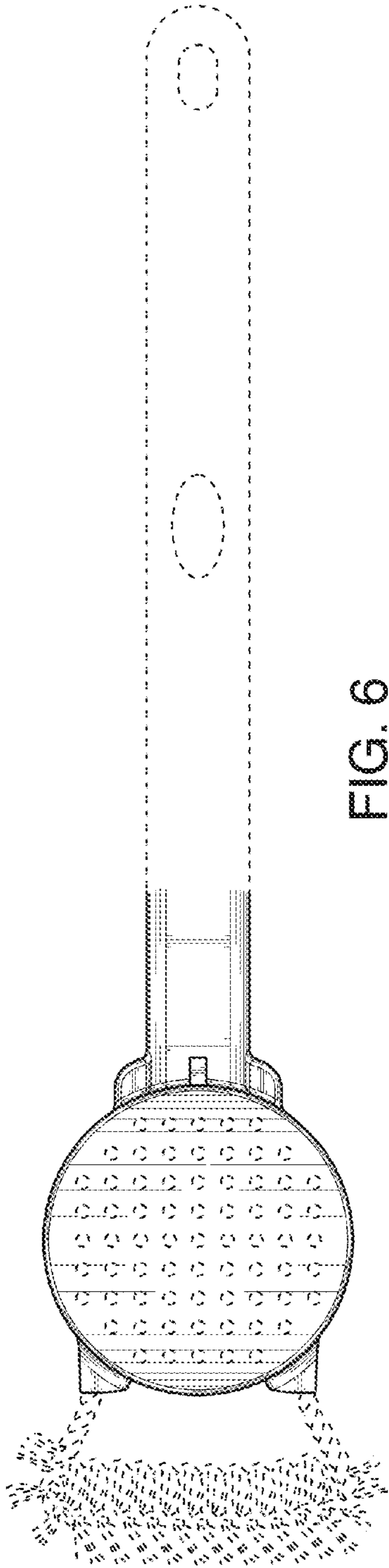


FIG. 6

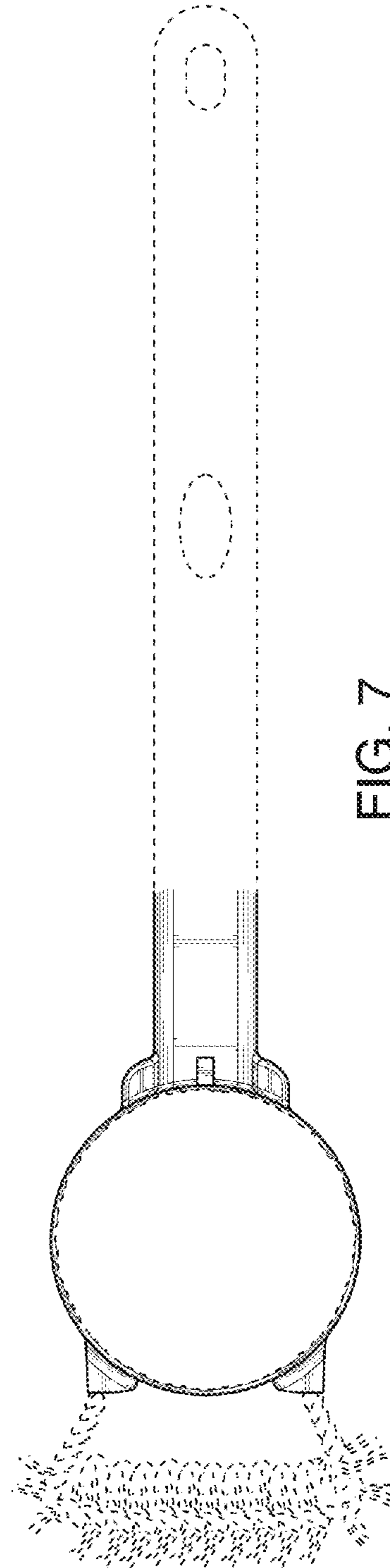


FIG. 7