



US00D756652S

(12) **United States Design Patent**
Reinhart

(10) **Patent No.:** **US D756,652 S**
(45) **Date of Patent:** **** May 24, 2016**

- (54) **TOTE WITH CONTOURED EDGE**
- (71) Applicant: **Centrex Plastics, LLC**, Findlay, OH (US)
- (72) Inventor: **Nickolas Reinhart**, Findlay, OH (US)
- (73) Assignee: **CENTREX PLASTICS, LLC**, Findlay, OH (US)
- (**) Term: **14 Years**
- (21) Appl. No.: **29/525,562**
- (22) Filed: **Apr. 30, 2015**
- (51) **LOC (10) Cl.** **03-01**
- (52) **U.S. Cl.**
USPC **D3/314**
- (58) **Field of Classification Search**
USPC D3/304-315; D6/702; D32/37
CPC ... B65D 43/162; B65D 81/02; B65D 81/3813
See application file for complete search history.

D387,558 S *	12/1997	Mann	D3/307
D395,756 S *	7/1998	Tanji	D3/304
D398,151 S *	9/1998	Ahern, Jr.	D3/304
D421,183 S *	2/2000	Koskinen	D3/304
6,874,650 B2 *	4/2005	Welsh	B65D 21/0233 220/508
D631,299 S *	1/2011	Samartgis	D7/602
D631,706 S *	2/2011	Samartgis	D7/602
D644,885 S *	9/2011	Samartgis	D7/602
D644,886 S *	9/2011	Samartgis	D7/602
D734,610 S *	7/2015	Christie	D3/304
D743,171 S *	11/2015	Reinhart	D3/279
D746,593 S *	1/2016	Kroll	D3/307

* cited by examiner

Primary Examiner — Kelley Donnelly
(74) *Attorney, Agent, or Firm* — Fraser Clemens Martin & Miller LLC; Jacob M. Ward

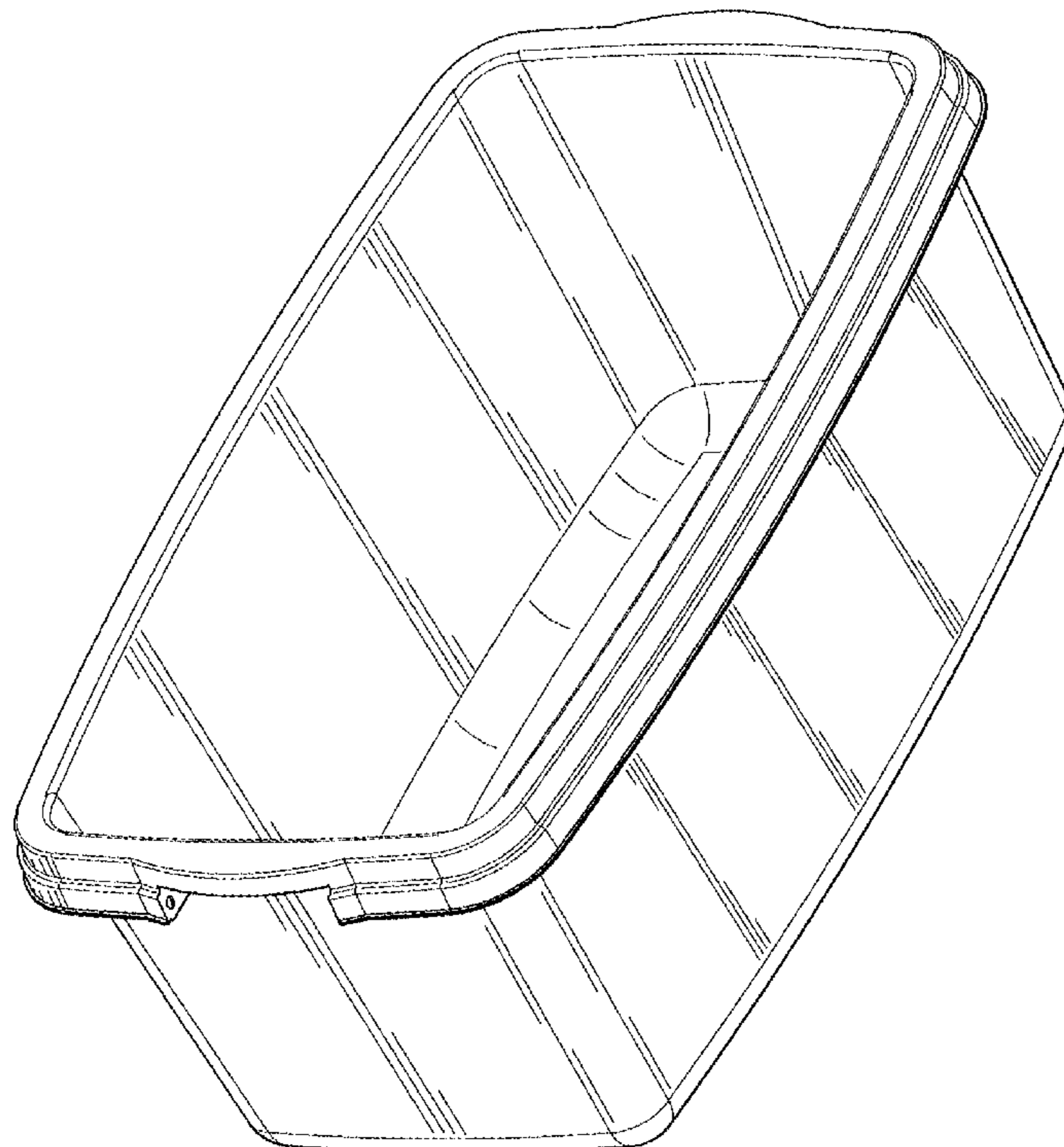
(57) **CLAIM**
The ornamental design for a tote with contoured edge, as shown and described.

DESCRIPTION

FIG. 1 is a top perspective view of a tote with contoured edge; FIG. 2 is a bottom perspective view of the tote with contoured edge of FIG. 1; FIG. 3 is a top plan view thereof; FIG. 4 is a bottom plan view thereof; FIG. 5 is a right side elevational view thereof; the left side elevational view being a mirror image; and, FIG. 6 is a front elevational view thereof; the rear elevational view being a mirror image.

1 Claim, 4 Drawing Sheets

- (56) **References Cited**
U.S. PATENT DOCUMENTS
- | | | | | |
|--------------|---------|------------|-------|----------|
| D277,993 S * | 3/1985 | Sinchok | | D3/309 |
| D351,284 S * | 10/1994 | Kruger | | D3/304 |
| D357,120 S * | 4/1995 | Miller | | D3/312 |
| D370,345 S * | 6/1996 | Wolff | | D3/312 |
| D372,123 S * | 7/1996 | Kobilarcik | | D3/312 |
| D375,836 S * | 11/1996 | Conti | | D3/304 |
| D386,042 S * | 11/1997 | Miller | | D7/396.1 |



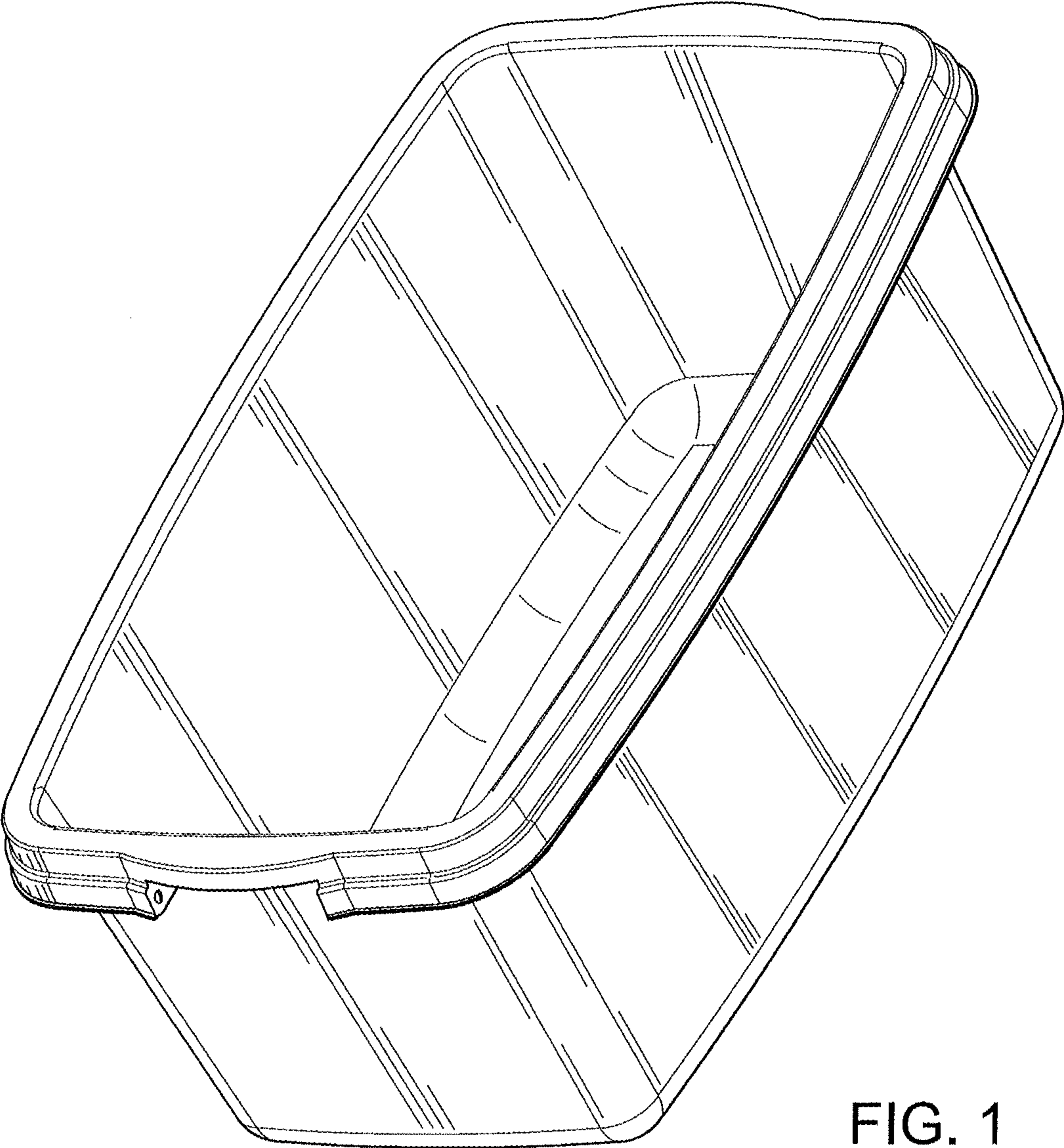


FIG. 1

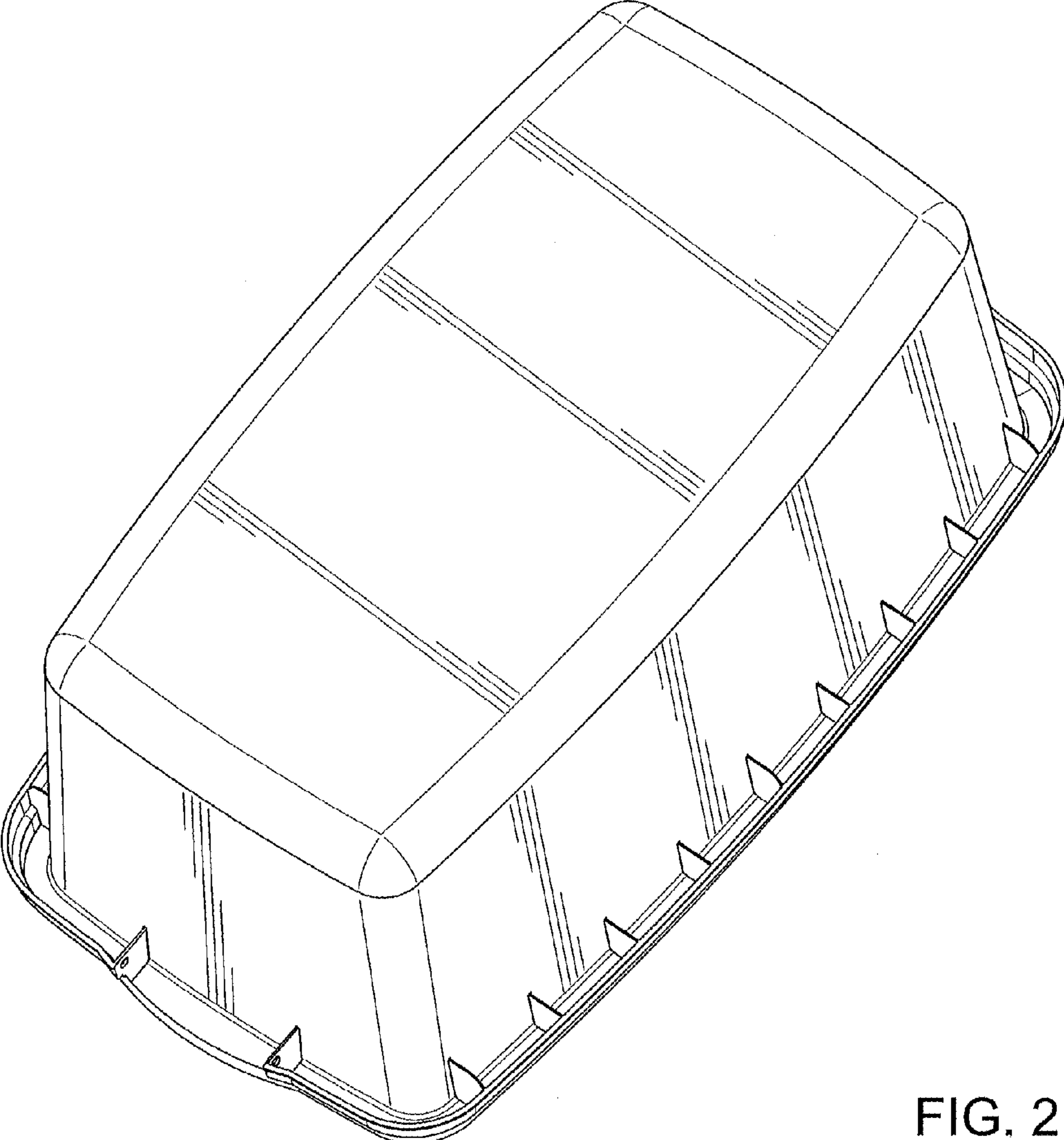


FIG. 2

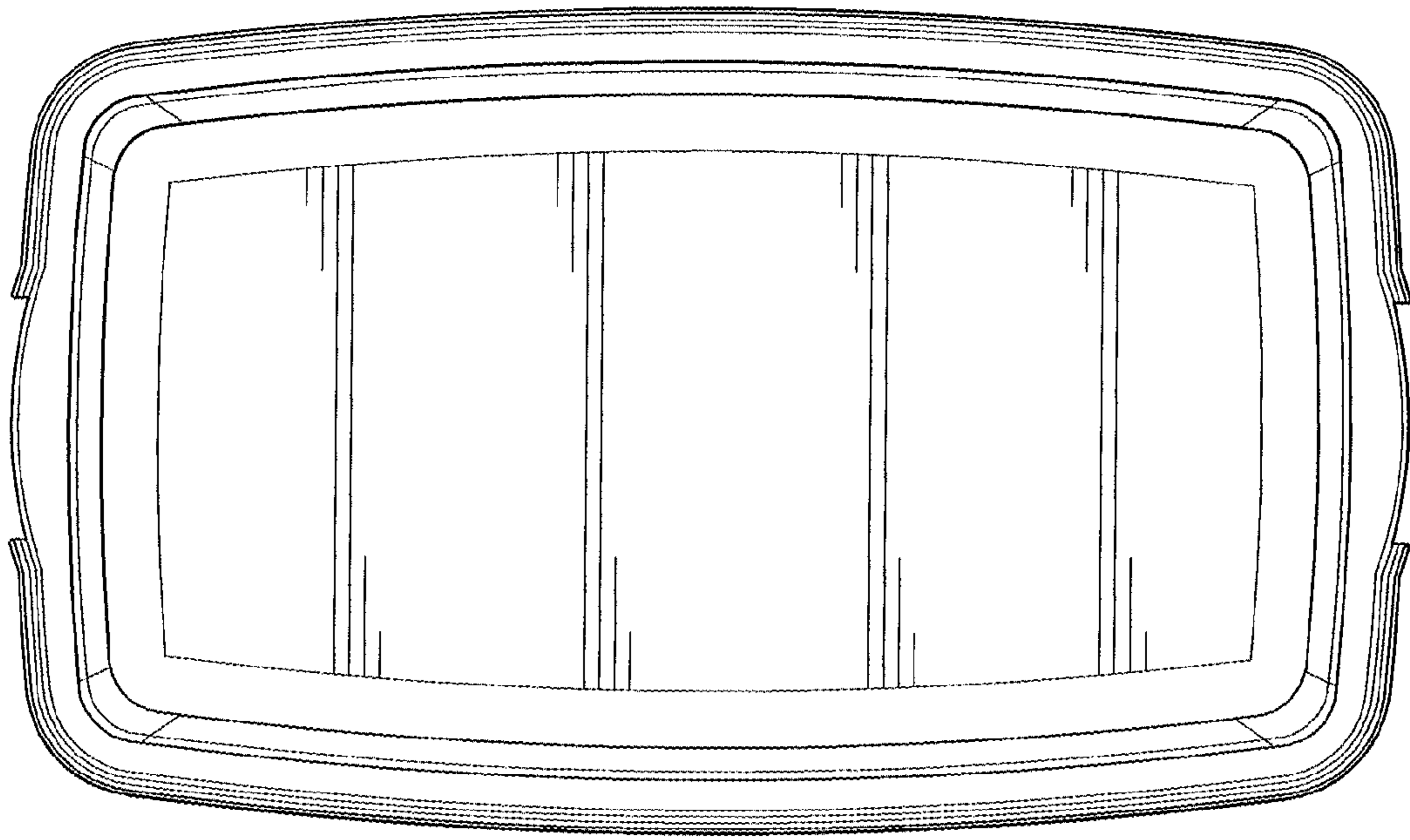


FIG. 3

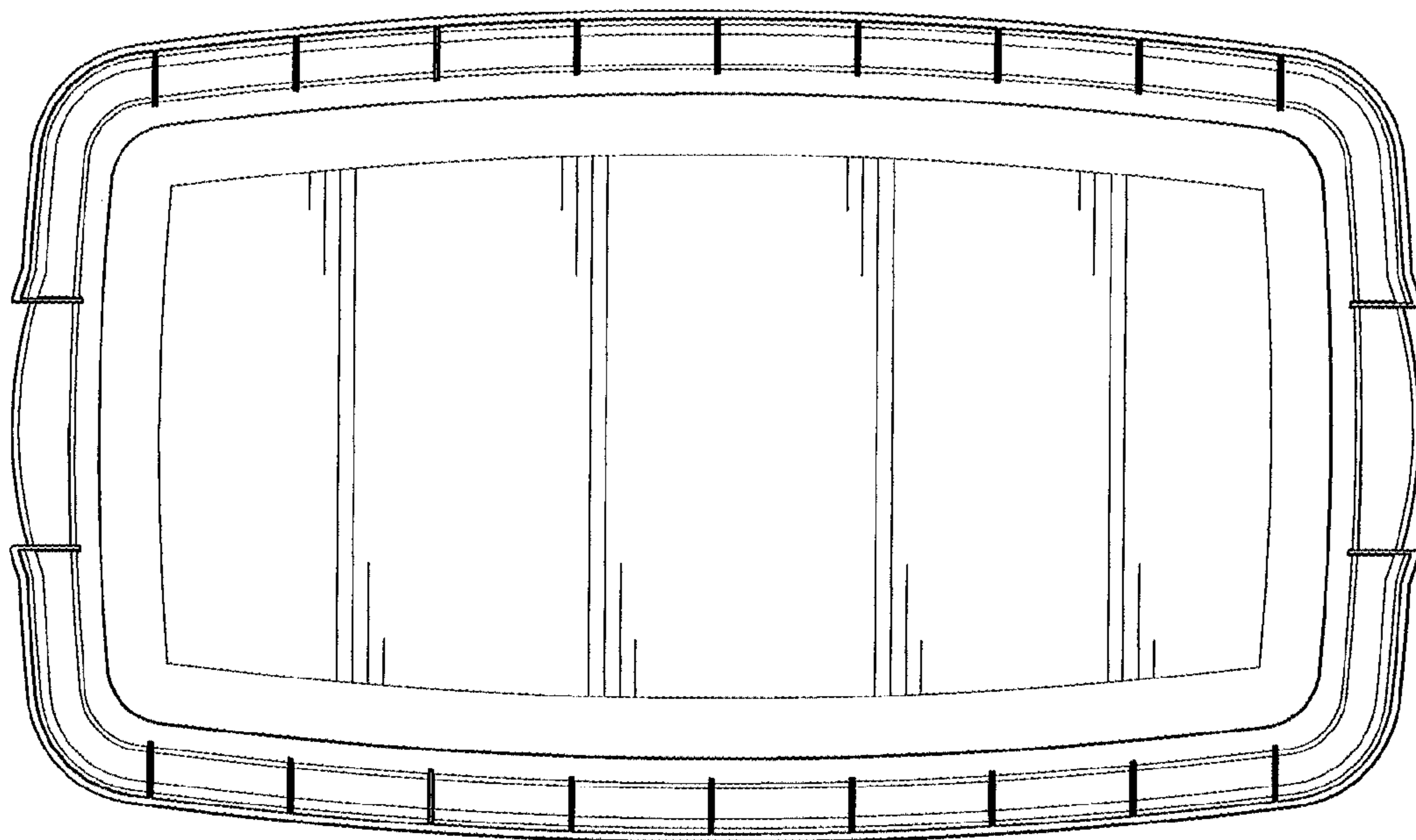


FIG. 4

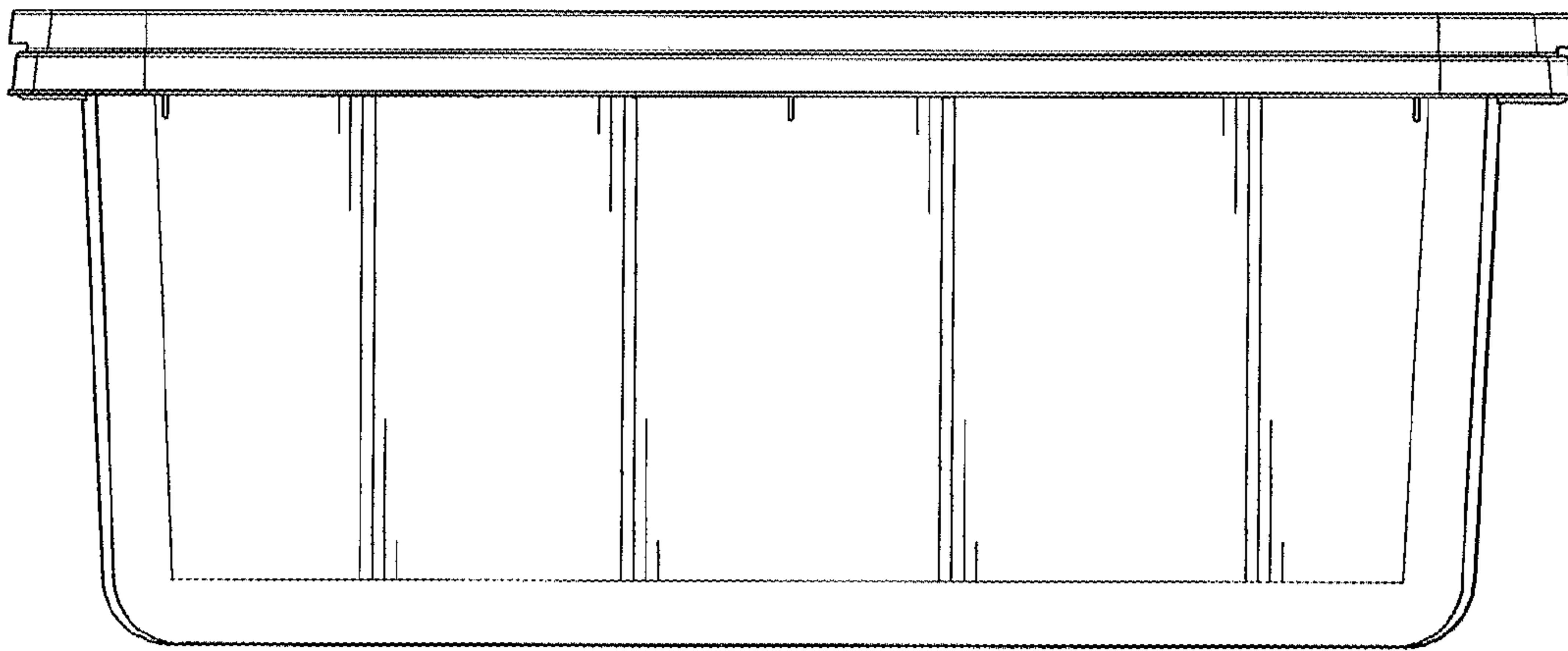


FIG. 5

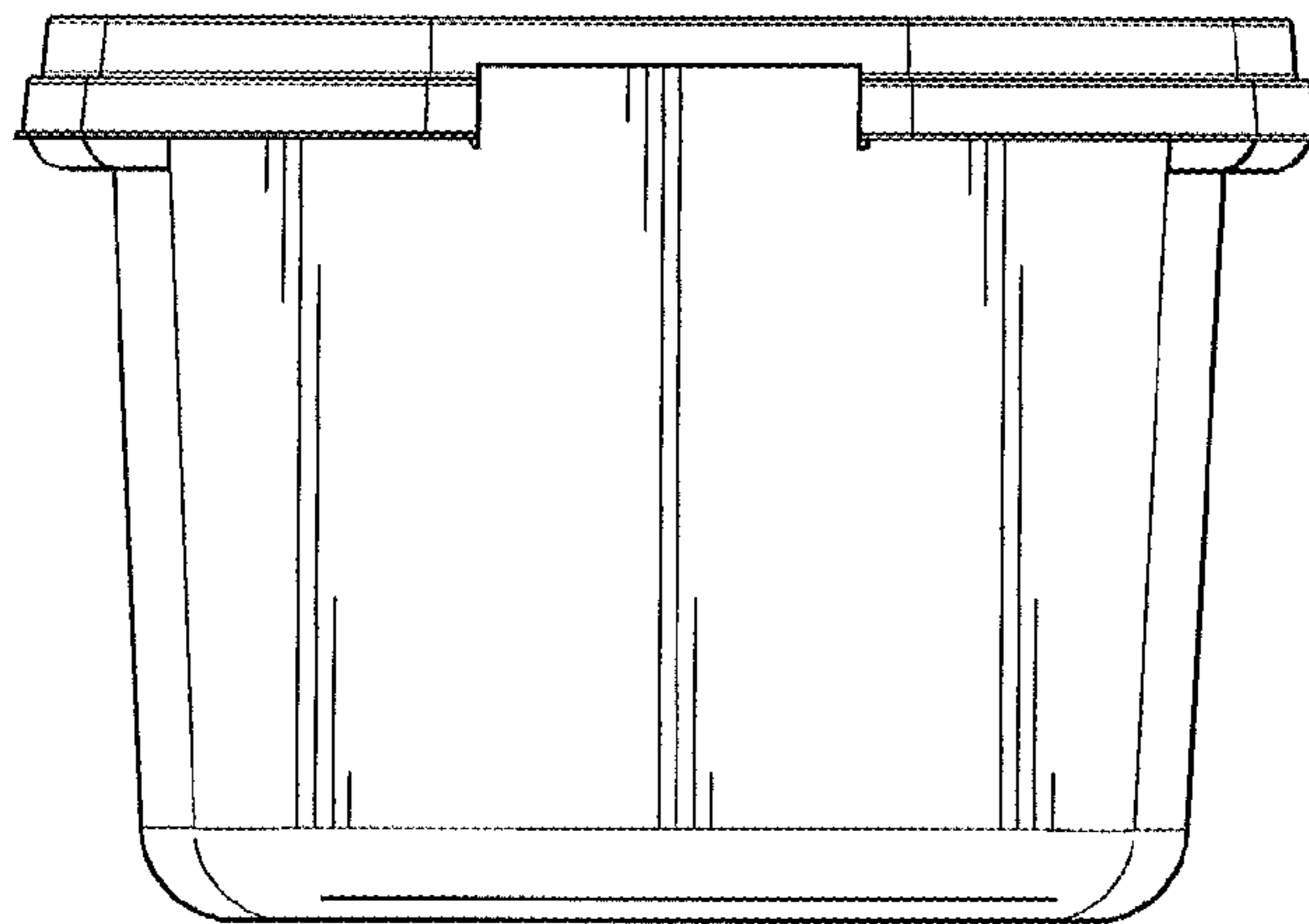


FIG. 6