



US00D756650S

(12) **United States Design Patent**
Sweeney

(10) **Patent No.:** **US D756,650 S**

(45) **Date of Patent:** **** May 24, 2016**

(54) **PORTABLE ELECTRONIC DEVICE HOLDER**

(71) Applicant: **James F. Sweeney**, Lenexa, KS (US)

(72) Inventor: **James F. Sweeney**, Lenexa, KS (US)

(**) Term: **14 Years**

(21) Appl. No.: **29/497,795**

(22) Filed: **Jul. 29, 2014**

(51) **LOC (10) Cl.** **03-01**

(52) **U.S. Cl.**
USPC **D3/303**

(58) **Field of Classification Search**

USPC D3/218–219, 215, 201, 224, 226, 228,
D3/247–248, 269, 303; 224/578, 674,
224/676–681, 901, 904; 206/305, 320, 576,
206/759, 762; 455/575.1–575.8; D14/248,
D14/250–251

CPC A45F 5/00; A45F 5/02; A45F 5/021;
A45F 5/022; A45F 2005/00; A45F 2005/008;
A45F 2005/02; A45F 2200/05; A45F
2200/0516

See application file for complete search history.

(56) **References Cited**

U.S. PATENT DOCUMENTS

D475,850 S * 6/2003 Andre D3/218
D476,149 S * 6/2003 Andre D3/218

D619,356 S * 7/2010 Hillman D3/218
D621,618 S * 8/2010 Fahrendorff D3/303
D713,145 S * 9/2014 Fathollahi D3/303
D727,028 S * 4/2015 Feng D3/218

* cited by examiner

Primary Examiner — Catheri Oliver-Garcia

(74) *Attorney, Agent, or Firm* — Intellectual Property Center, LLC; Arthur K. Shaffer

(57) **CLAIM**

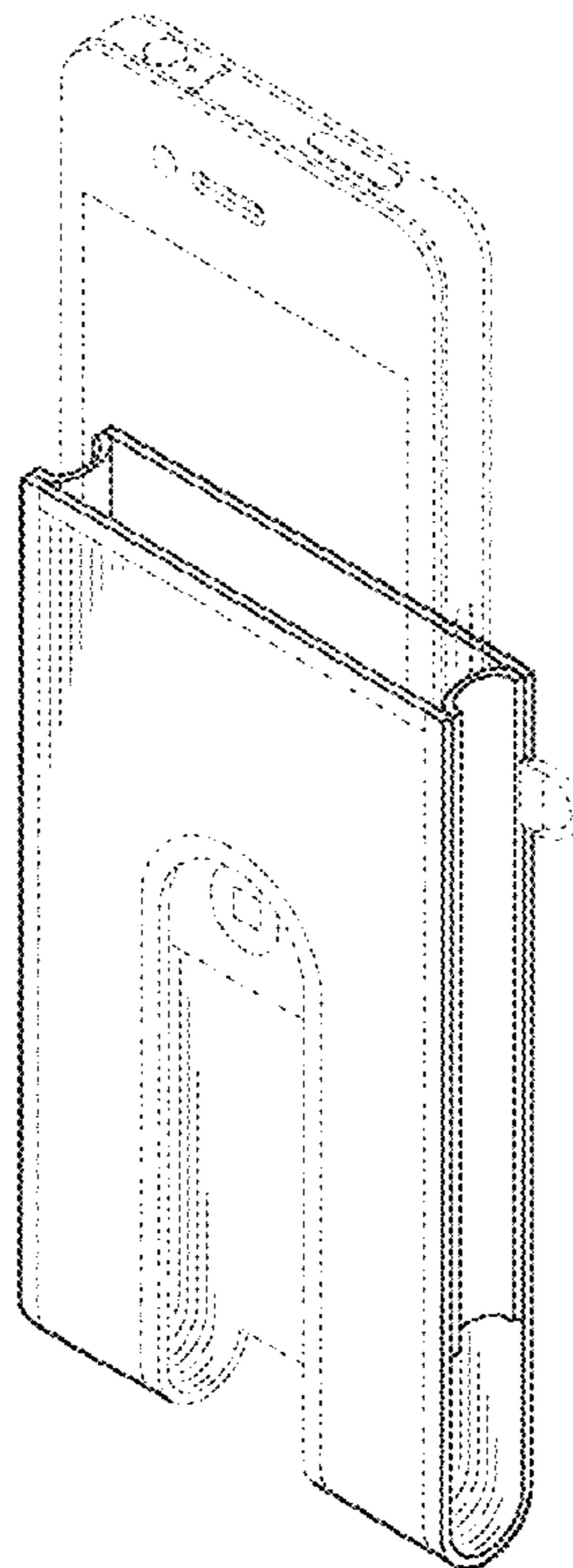
The ornamental design for a portable electronic device holder, as shown and described.

DESCRIPTION

FIG. 1 is a right side perspective view of a portable electronic device holder, shown in use;
FIG. 2 is a front elevation thereof;
FIG. 3 is a top plan view thereof;
FIG. 4 is a bottom plan view thereof;
FIG. 5 is a rear elevation thereof;
FIG. 6 is a right side elevation thereof; and,
FIG. 7 is a left side elevation view thereof.

The broken lines depicting a cellular device in FIGS. 1 and 4 forms no part of the claimed design. The dashed lines disclosed in FIGS. 1-6 on the device holder do not form part of the claimed design.

1 Claim, 2 Drawing Sheets



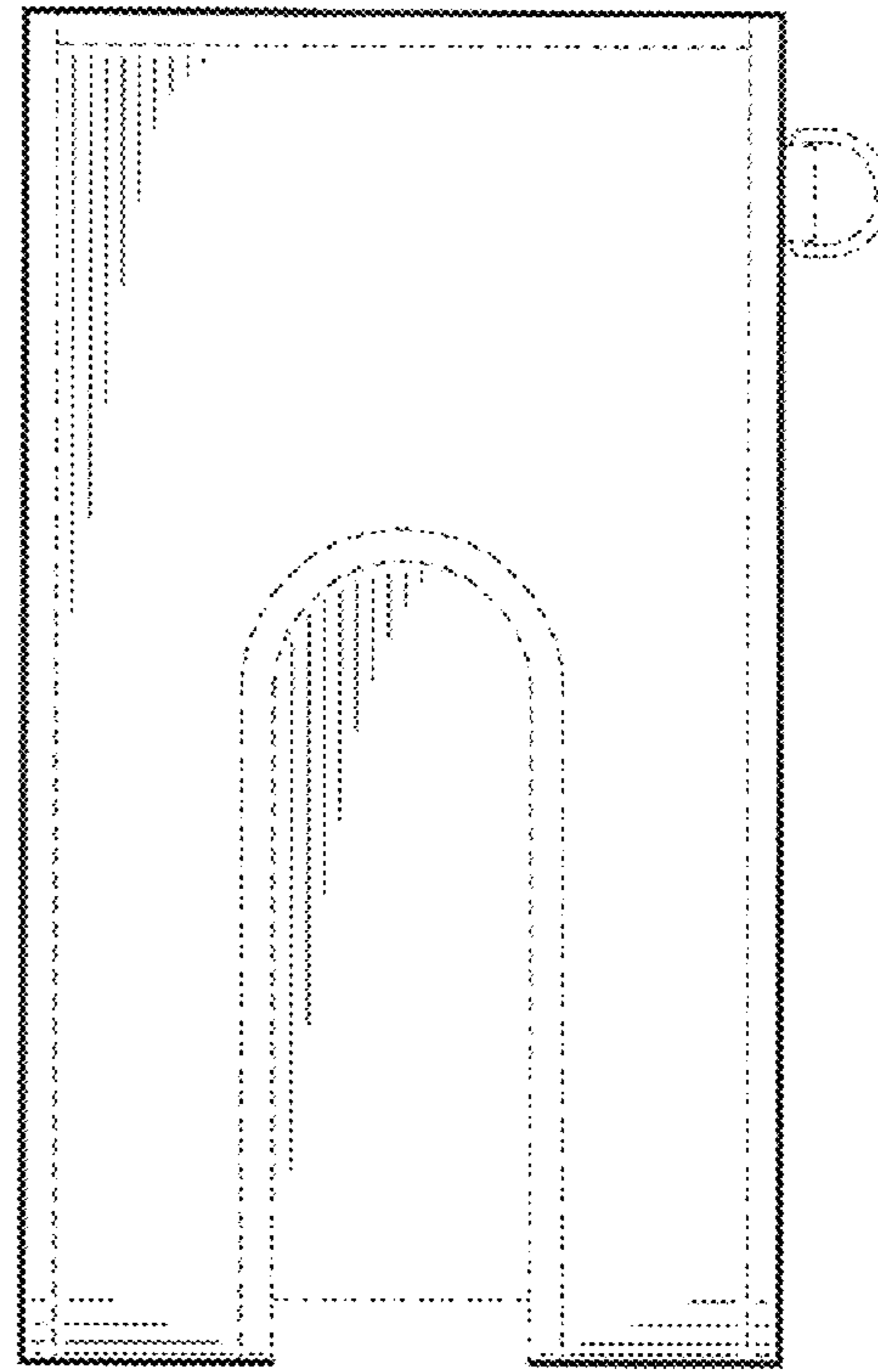
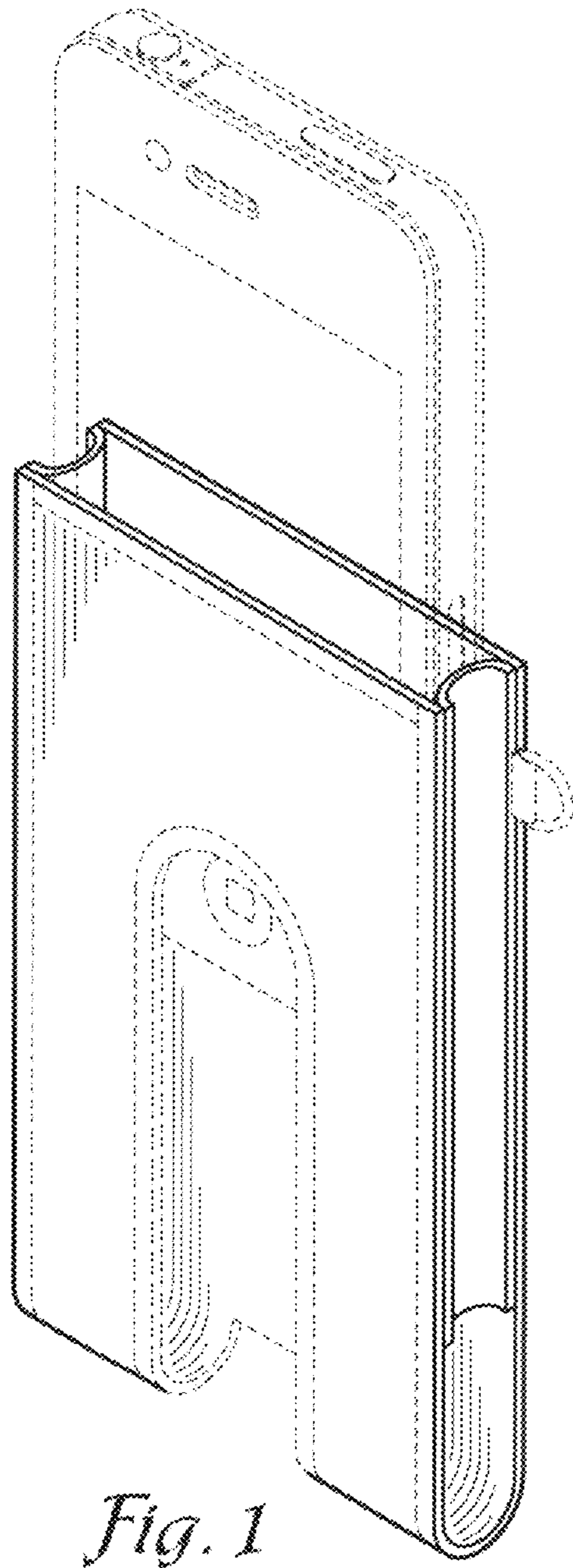


Fig. 2

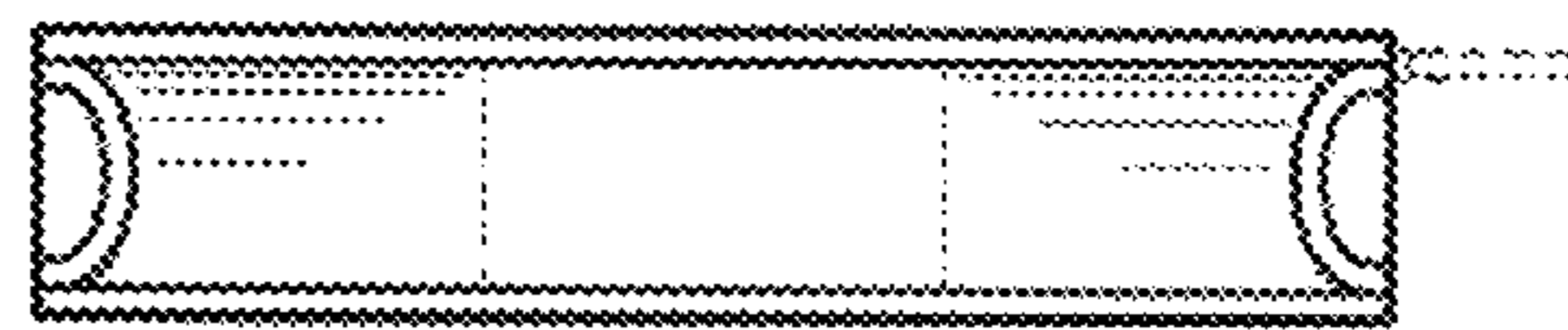


Fig. 3

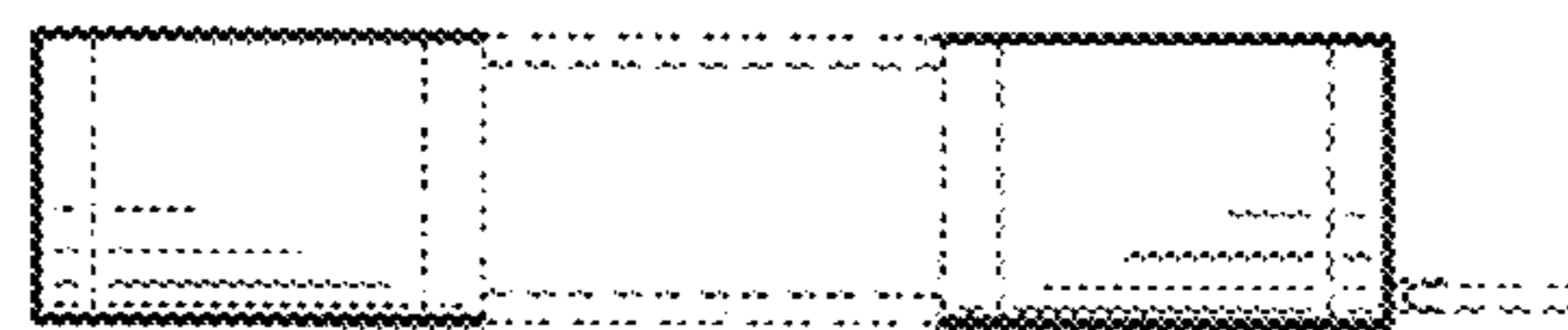


Fig. 4

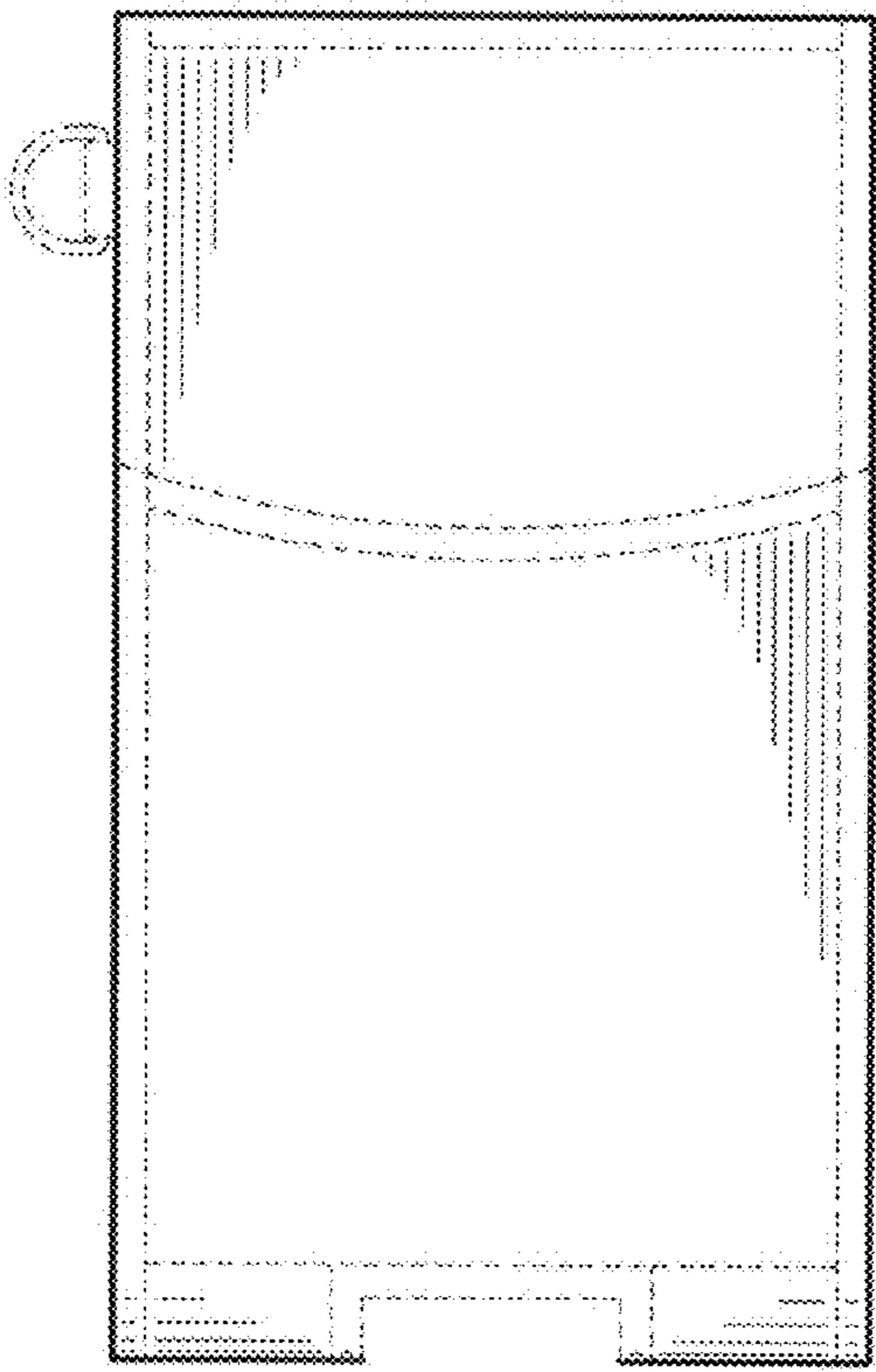


Fig. 5

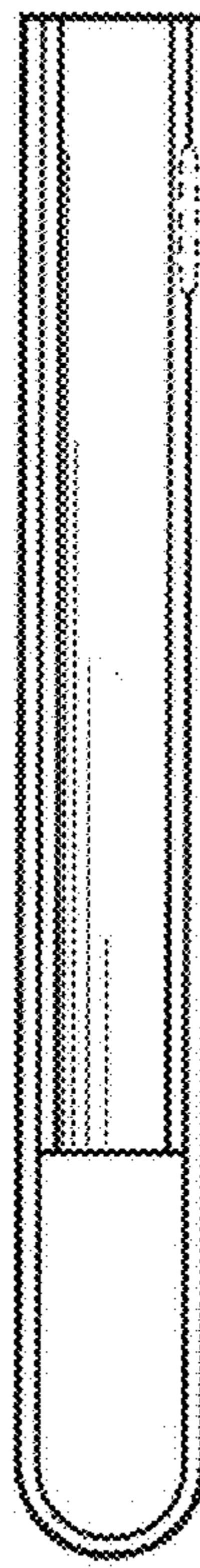


Fig. 6

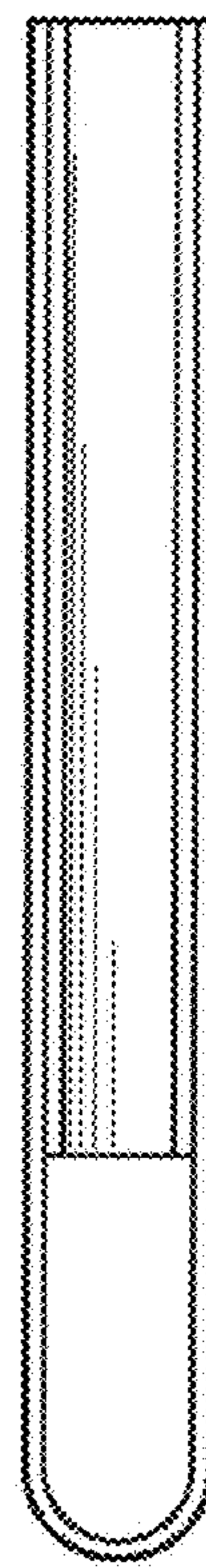


Fig. 7