



US00D756646S

(12) **United States Design Patent**
Palsson et al.

(10) **Patent No.:** **US D756,646 S**

(45) **Date of Patent:** **** May 24, 2016**

(54) **COMBINED BOX FOR STORAGE OF A TOOL FOR CHIP REMOVING MACHINING AND TORQUE KEY**

(71) Applicant: **SANDVIK INTELLECTUAL PROPERTY AB**, Sandviken (SE)

(72) Inventors: **Claes Palsson**, Gavle (SE); **Linus Larsson**, Gothenburg (SE); **Ove Larsson**, Vastra Frolunda (SE); **Caspar Andren**, Gothenburg (SE); **Sebastian Roos**, Gothenburg (SE)

(73) Assignee: **SANDVIK INTELLECTUAL PROPERTY AB**, Sandviken (SE)

(**) Term: **14 Years**

(21) Appl. No.: **29/504,403**

(22) Filed: **Oct. 6, 2014**

(30) **Foreign Application Priority Data**

Apr. 7, 2014 (EM) 001408306

(51) **LOC (10) Cl.** **03-01**

(52) **U.S. Cl.**
USPC **D3/274**; D3/302; D3/905

(58) **Field of Classification Search**
USPC D3/905, 276, 279–284, 291, 294, 295, D3/298, 901, 302, 272, 273, 274, 903; 206/372–379, 508; 220/523–528, 826, 220/844
CPC B25H 3/02; B25H 3/021; B25H 3/022; B25H 3/023; B25H 3/025; B25H 3/026; B25H 3/027; B25H 3/028; B25H 3/00; B25H 3/003; B25H 3/006

See application file for complete search history.

(56) **References Cited**

U.S. PATENT DOCUMENTS

| | | | | | | |
|--------------|----|---|---------|------------------|-------|----------|
| D341,315 | S | * | 11/1993 | Seymour | | D9/529 |
| 5,680,949 | A | * | 10/1997 | Roesler | | 220/8 |
| 5,829,591 | A | * | 11/1998 | Lyons | | 206/373 |
| D453,323 | S | * | 2/2002 | Conrad | | D13/154 |
| 6,926,143 | B1 | * | 8/2005 | Chen | | 206/378 |
| D516,312 | S | * | 3/2006 | Chan | | D3/294 |
| D521,731 | S | * | 5/2006 | Tagliati et al. | | D3/273 |
| D541,046 | S | * | 4/2007 | Roesler | | D3/293 |
| D558,978 | S | * | 1/2008 | Roesler | | D3/302 |
| 7,337,918 | B2 | * | 3/2008 | Fowler et al. | | 221/65 |
| D580,654 | S | * | 11/2008 | Miller et al. | | D3/294 |
| D588,361 | S | * | 3/2009 | Dawson et al. | | D3/302 |
| D627,967 | S | * | 11/2010 | Kuhls | | D3/273 |
| D658,878 | S | * | 5/2012 | Deguglimo et al. | | D3/302 |
| D660,591 | S | * | 5/2012 | Okulla et al. | | D3/294 |
| D693,579 | S | * | 11/2013 | Weremchuk et al. | | D3/318 |
| D701,694 | S | * | 4/2014 | Palsson | | D3/273 |
| D720,619 | S | * | 1/2015 | Buscemi et al. | | D9/516 |
| 2006/0191947 | A1 | * | 8/2006 | Jedryk et al. | | 220/788 |
| 2006/0283769 | A1 | * | 12/2006 | Roesler | | 206/588 |
| 2008/0083639 | A1 | * | 4/2008 | Peterman et al. | | 206/508 |
| 2010/0122983 | A1 | * | 5/2010 | Steele | | 220/4.03 |
| 2013/0240391 | A1 | * | 9/2013 | Lin | | 206/349 |

* cited by examiner

Primary Examiner — Jennifer Rivard

Assistant Examiner — April Rivas

(74) *Attorney, Agent, or Firm* — Corinne R. Gorski

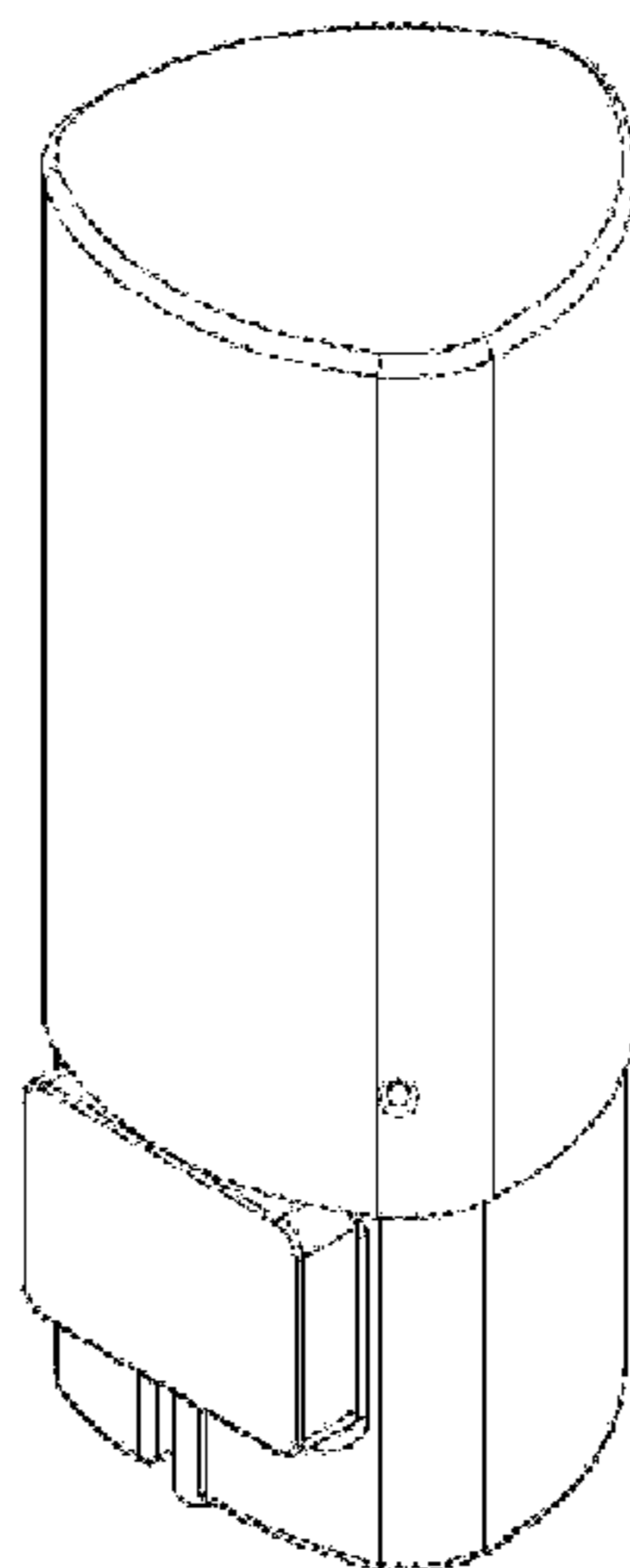
(57) **CLAIM**

The ornamental design for a combined box for storage of a tool for chip removing machining and torque key, as shown and described.

DESCRIPTION

FIG. 1 is a top view of the present invention.
FIG. 2 is a bottom view thereof.
FIG. 3 is a side view thereof.
FIG. 4 is a back view thereof.
FIG. 5 is the other side view thereof.
FIG. 6 is a front view thereof.
FIG. 7 is a top perspective view thereof; and,
FIG. 8 is a bottom perspective view thereof.

1 Claim, 7 Drawing Sheets



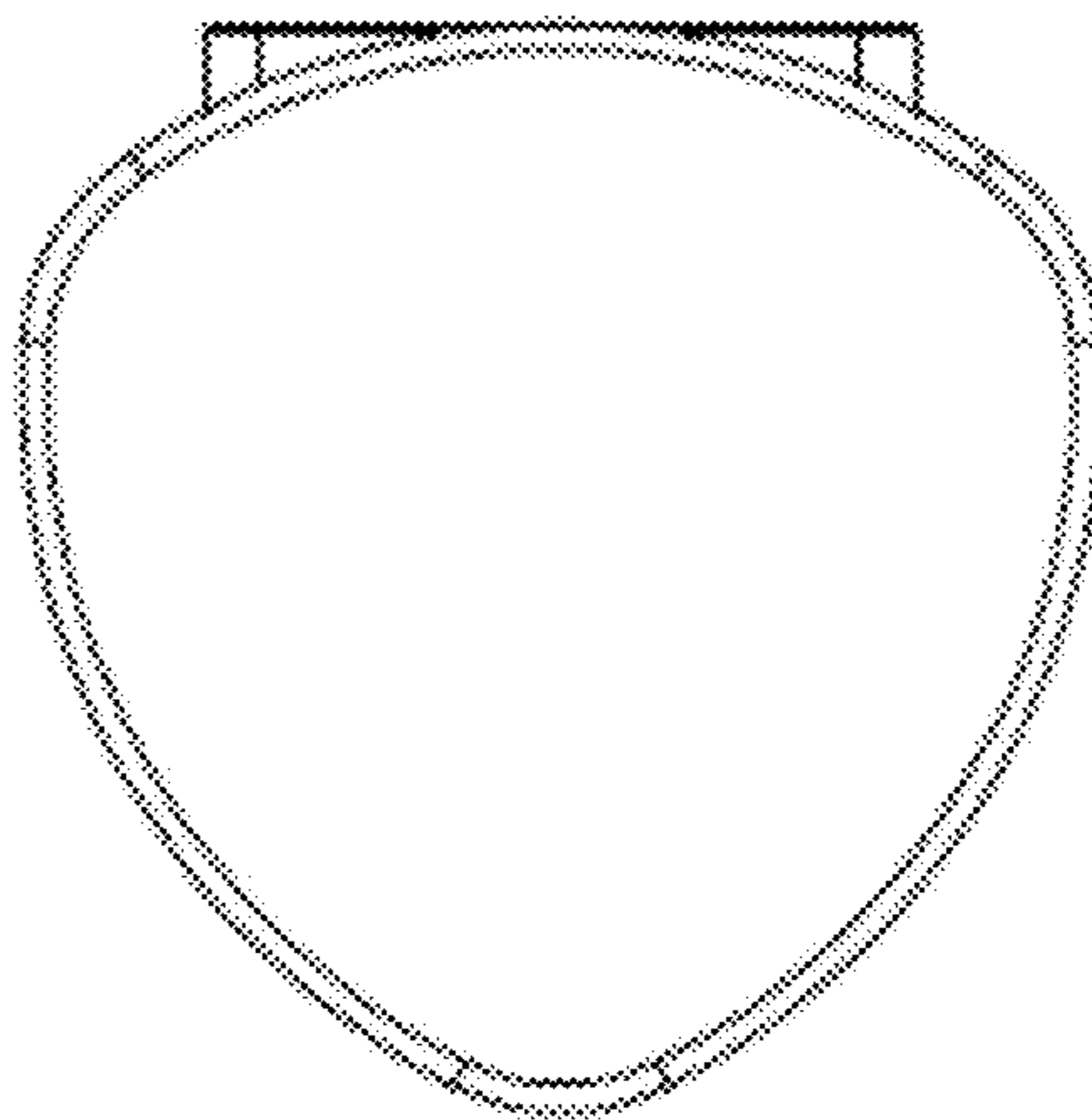


FIG. 1

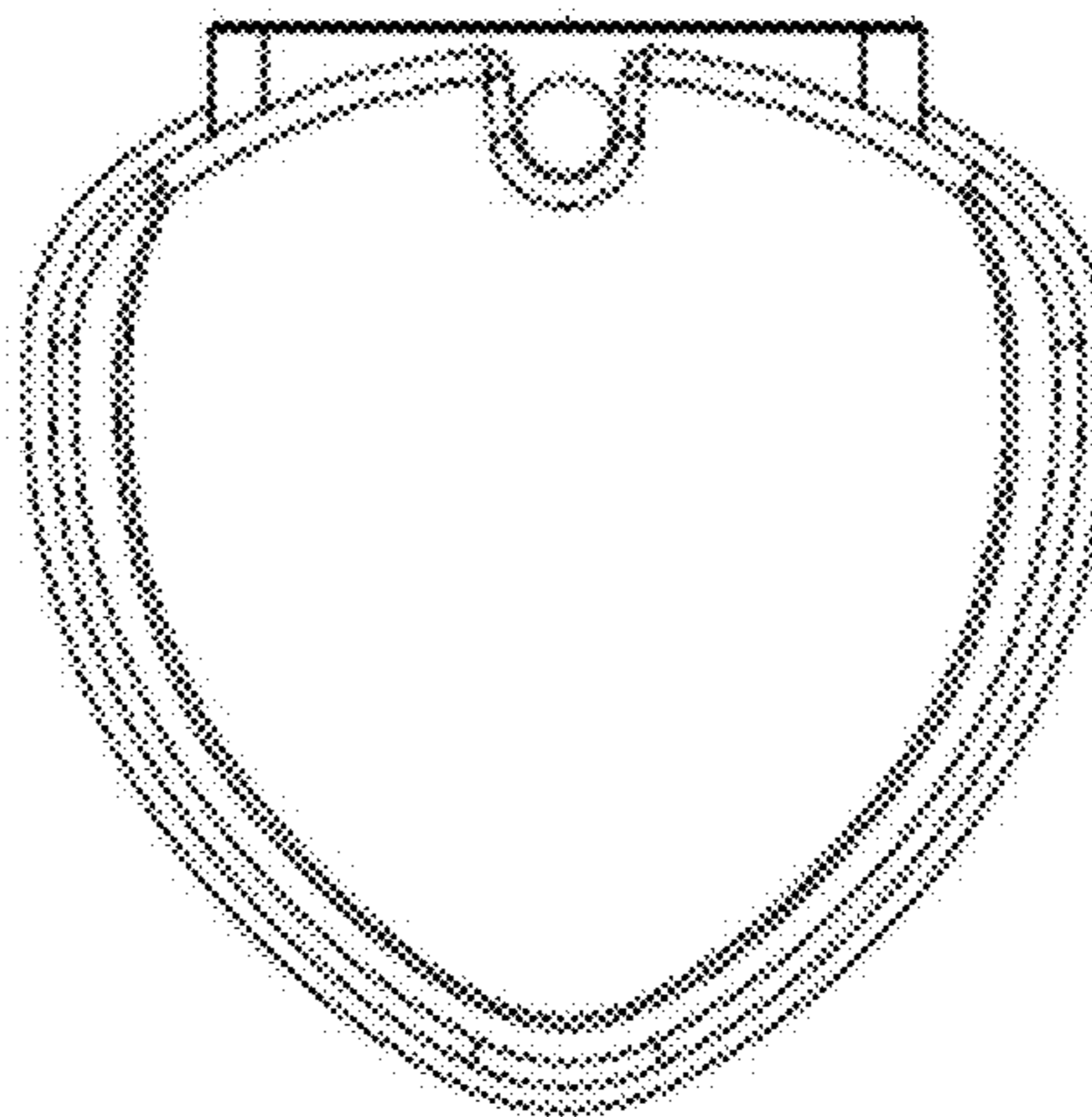


FIG. 2

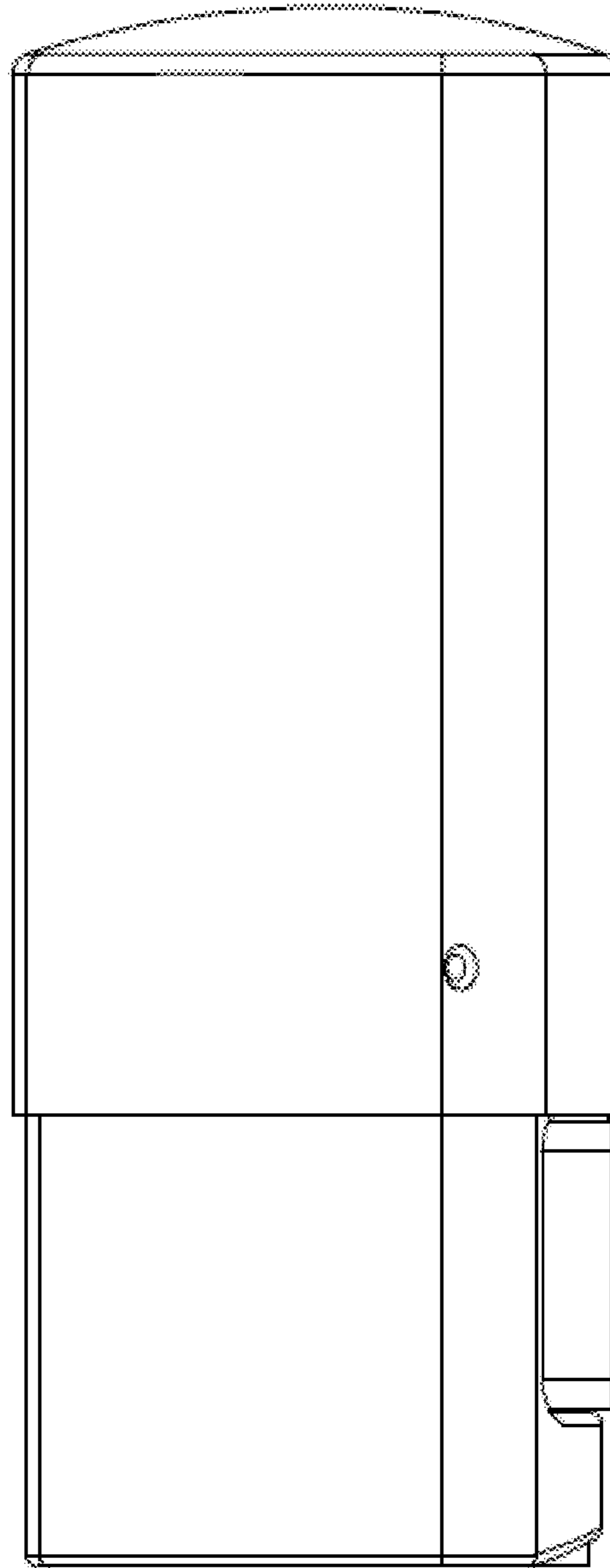


FIG. 3

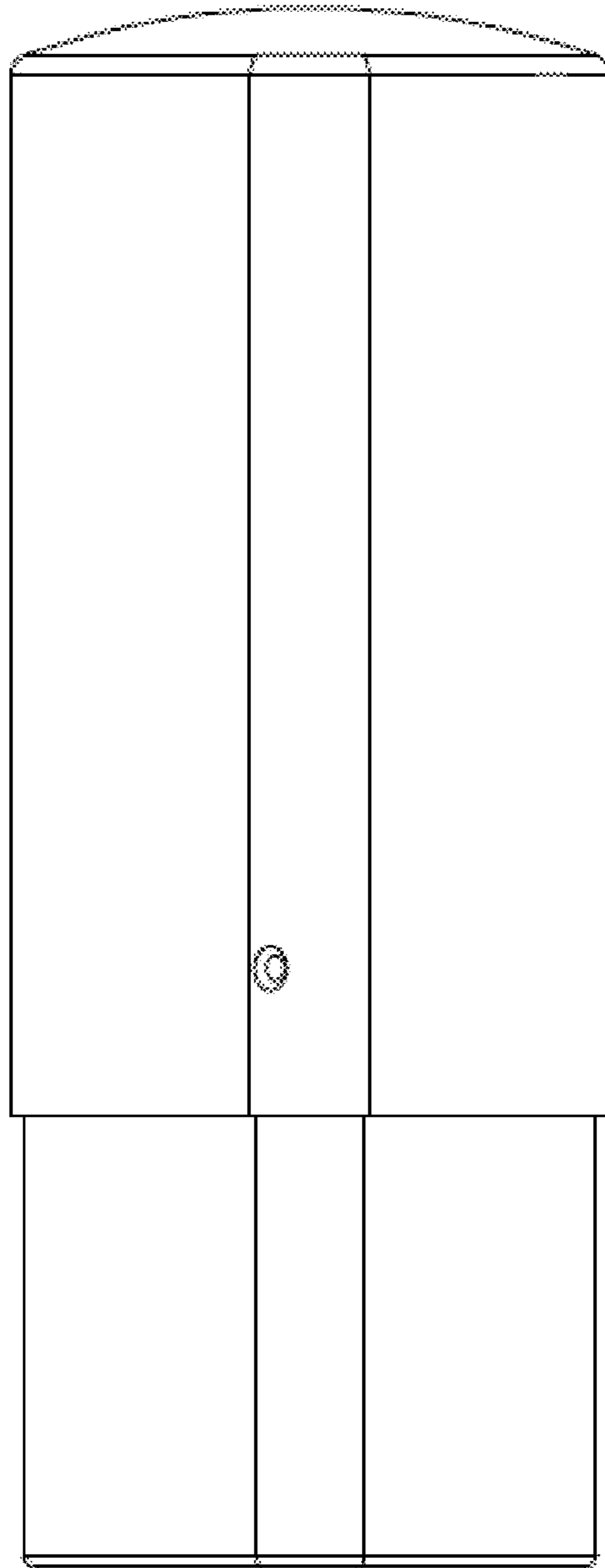


FIG. 4

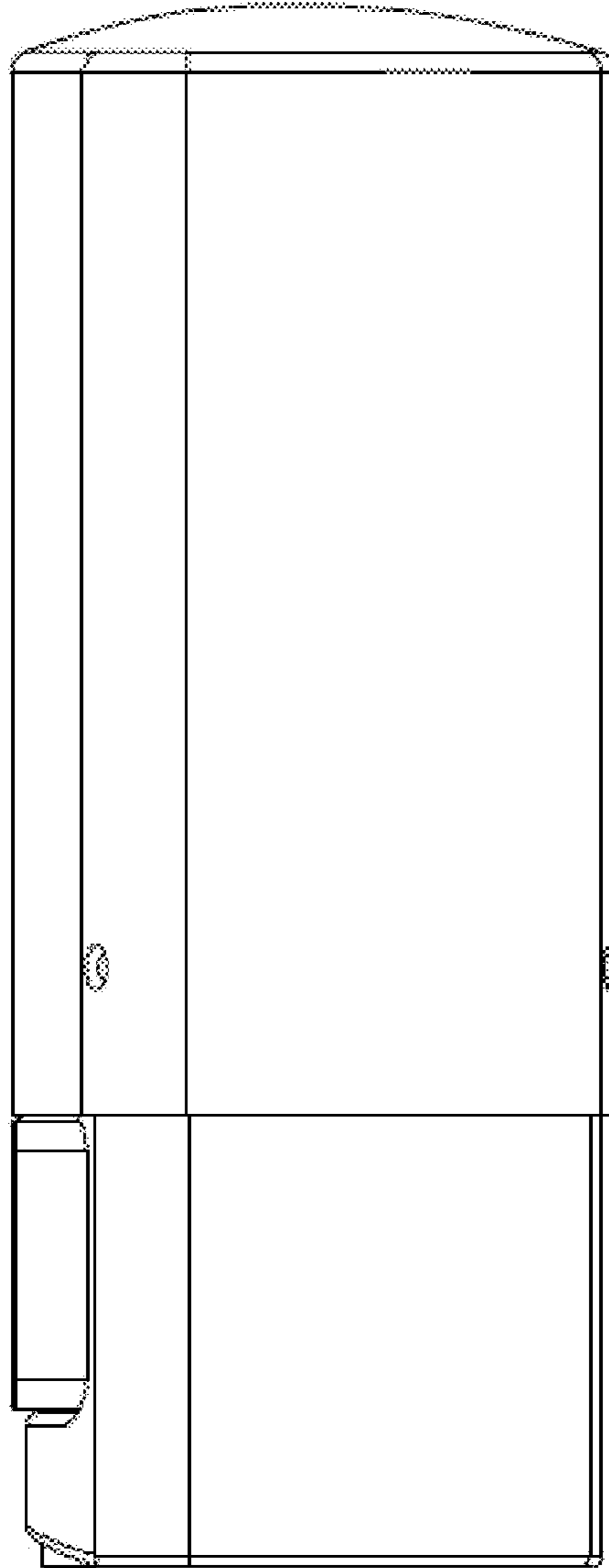


FIG.5

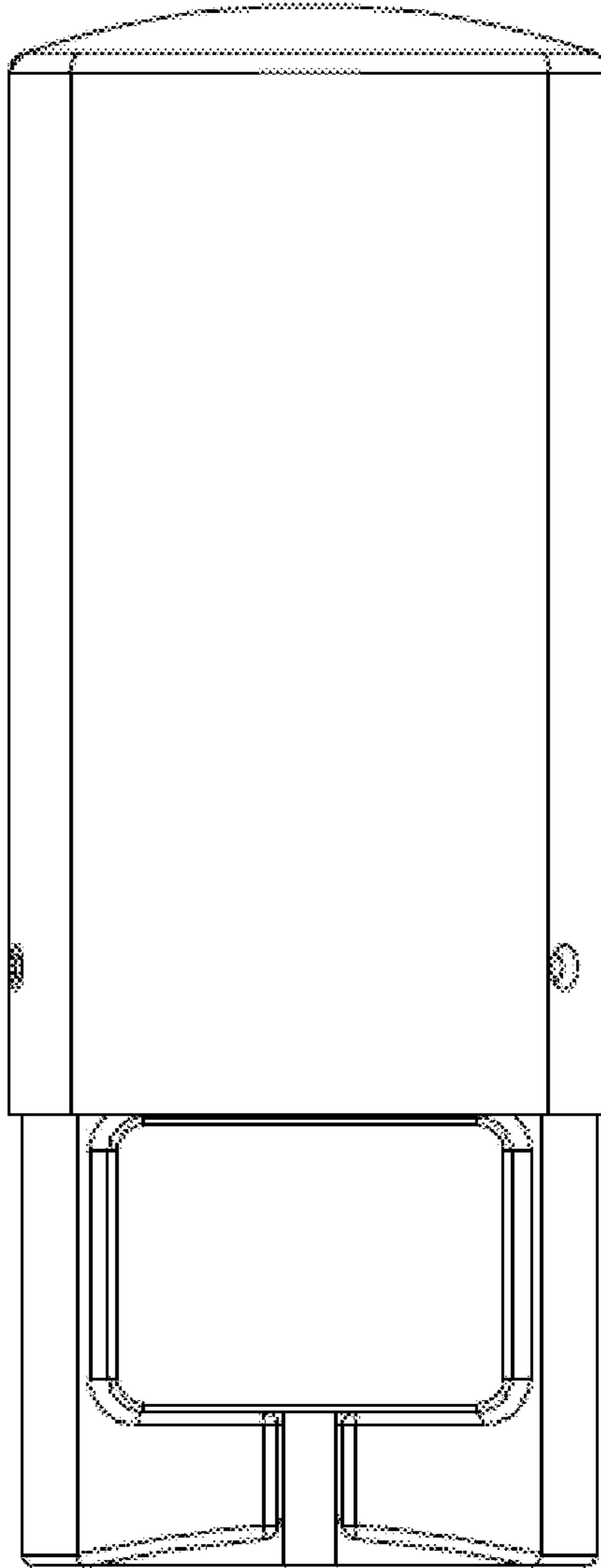


FIG. 6

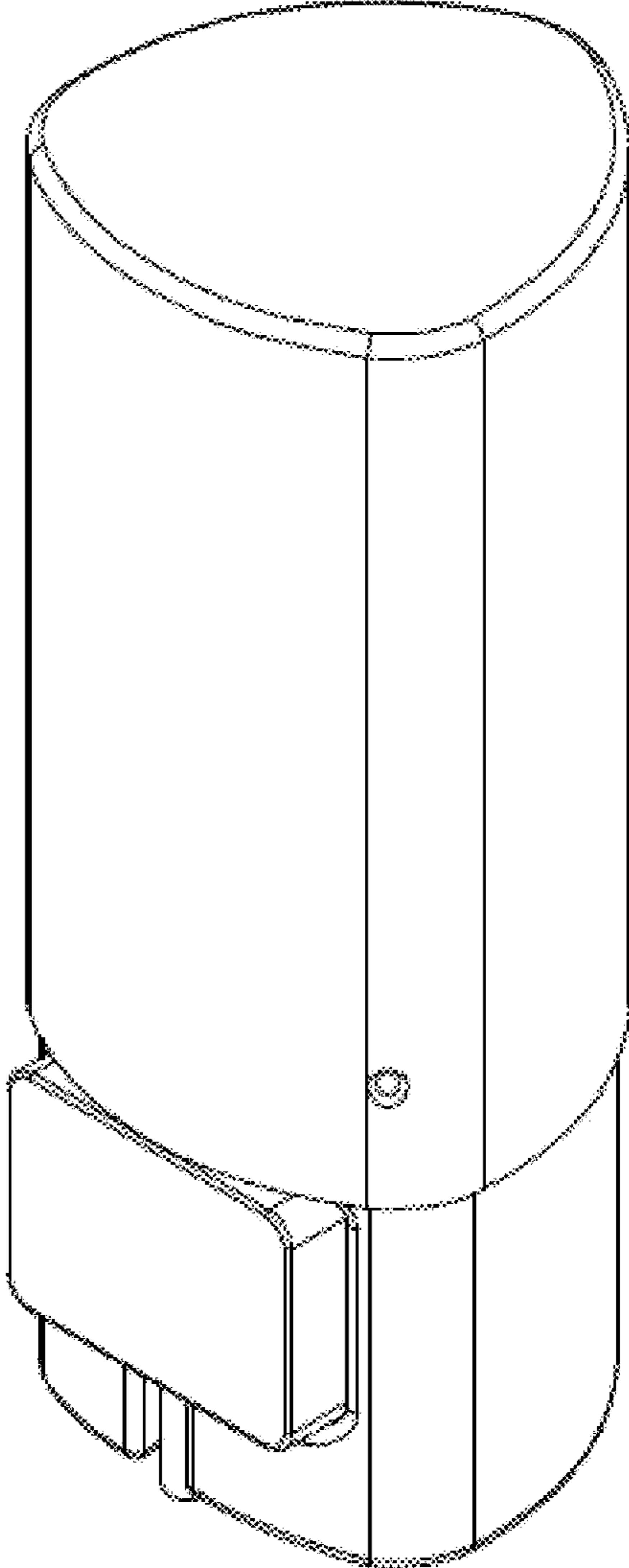


FIG. 7

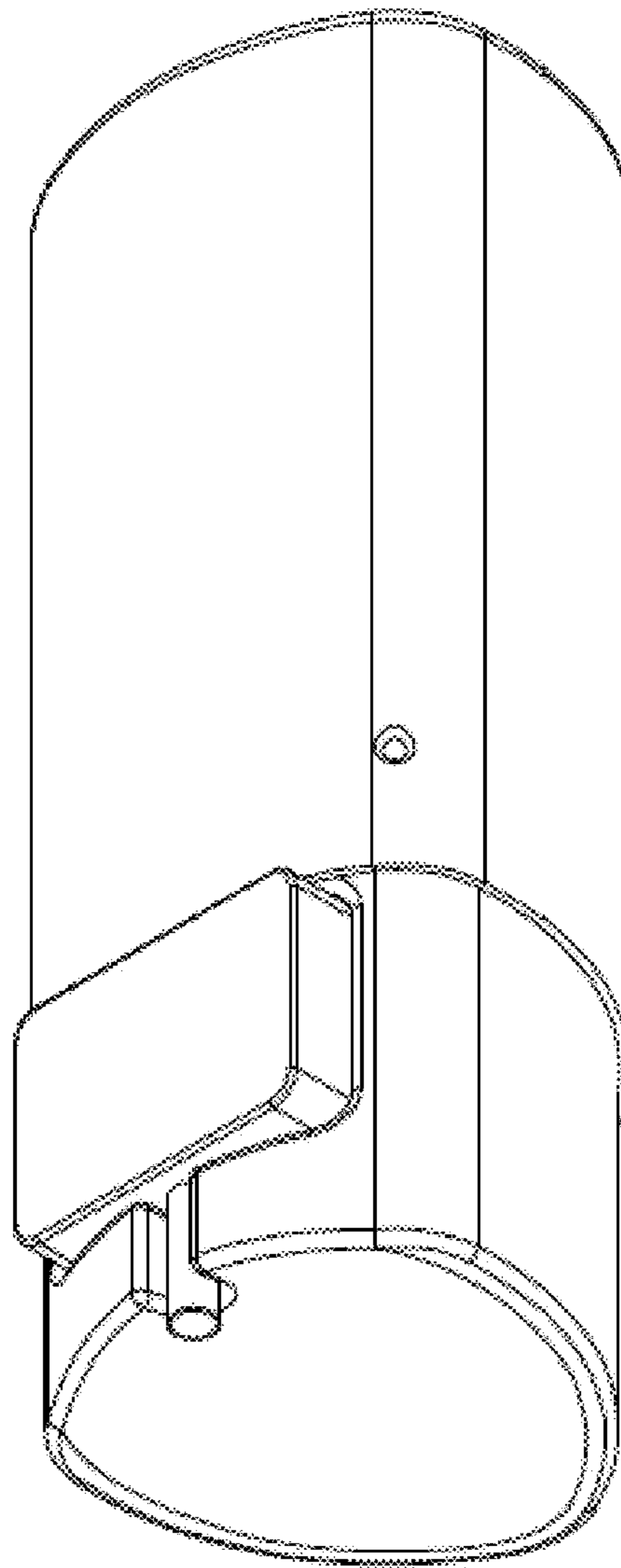


FIG. 8