



US00D756645S

(12) **United States Design Patent**
Haas et al.

(10) **Patent No.:** **US D756,645 S**
(45) **Date of Patent:** **** May 24, 2016**

(54) **TRANSPORTATION AND STORAGE CONTAINER**

CPC B65D 19/02; B65D 19/00; B65D 19/38;
B65D 19/06; B65D 19/12
See application file for complete search history.

(71) Applicant: **Daimler AG**, Stuttgart (DE)

(56) **References Cited**

(72) Inventors: **Richard Haas**, Grafenau (DE); **Jan Schwanauer**, Schwieberdingen (DE)

U.S. PATENT DOCUMENTS

(73) Assignee: **Daimler AG**, Stuttgart (DE)

- 3,401,814 A 9/1968 Alfred et al.
- 4,000,704 A 1/1977 Griffin, Jr.
- 4,287,997 A 9/1981 Rolfe et al.
- 4,413,737 A 11/1983 Wind
- RE32,344 E 2/1987 Wind
- D289,108 S 4/1987 Guibault
- 4,887,731 A 12/1989 Pett et al.

(**) Term: **15 Years**

(21) Appl. No.: **29/528,871**

(22) Filed: **Jun. 2, 2015**

(Continued)

Related U.S. Application Data

(62) Division of application No. 29/454,604, filed on May 13, 2013, now Pat. No. Des. 733,426.

Primary Examiner — Jennifer Rivard

Assistant Examiner — April Rivas

(74) *Attorney, Agent, or Firm* — Crowell & Moring LLP

(30) **Foreign Application Priority Data**

- Nov. 13, 2012 (EM) 002134841-0001
- Nov. 13, 2012 (EM) 002134841-0002
- Nov. 13, 2012 (EM) 002134841-0003
- Nov. 13, 2012 (EM) 002134841-0004
- Nov. 13, 2012 (EM) 002134841-0005
- Nov. 13, 2012 (EM) 002134841-0006
- Nov. 13, 2012 (EM) 002134841-0007
- Nov. 13, 2012 (EM) 002134841-0008

(57) **CLAIM**

The ornamental design for a transportation and storage container, as shown and described.

(51) **LOC (10) Cl.** **03-01**

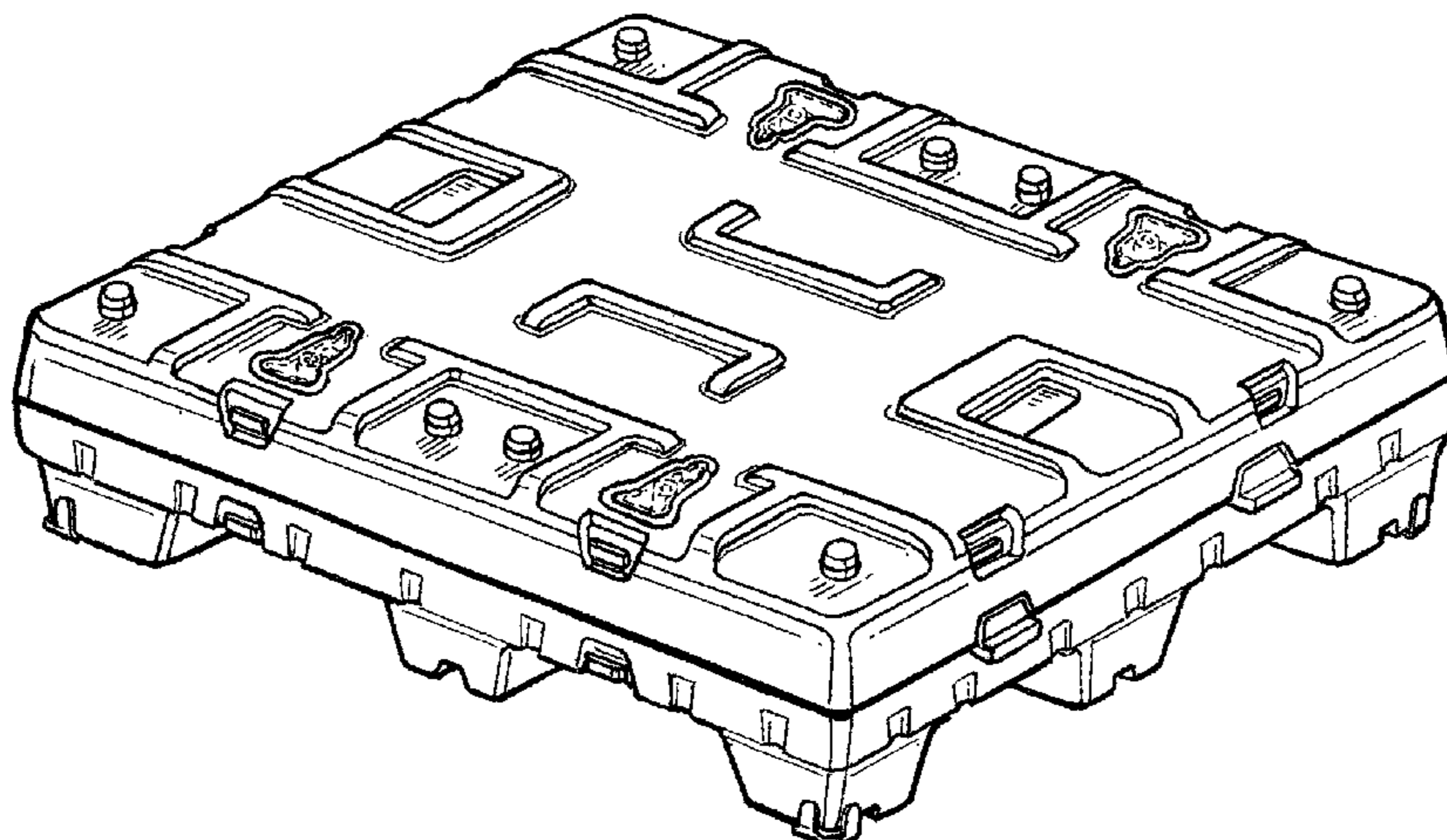
(52) **U.S. Cl.**
USPC **D3/272**

DESCRIPTION

(58) **Field of Classification Search**
USPC D3/260, 272, 273, 288, 282, 201, 294,
D3/295, 304; 206/386, 503, 508, 509, 571,
206/595, 596, 597, 598, 599, 600, 511;
222/92, 93, 94, 95, 96, 97, 98, 99, 100,
222/101, 102, 103, 104, 105, 106, 107,
222/220; 220/1.5, 1.6; D9/433; D34/38

FIG. 1 is a front, right perspective view of a transportation and storage container according to the design, the front, left perspective view being mirror symmetrical;
FIG. 2 is a front view thereof, the rear view being identical;
FIG. 3 is a side view thereof, the opposite side view being identical;
FIG. 4 is a top view thereof;
FIG. 5 is a bottom view thereof.
FIG. 6 is a bottom perspective view thereof, with the top portion removed for convenience of illustration; and,
FIG. 7 is an enlarged view of an exploded corner portion of the transportation and storage container.
The broken lines around the perimeter of FIG. 7 illustrates the bounds of the enlarged view. The remaining broken lines illustrate portions of the transportation and storage container. None of the broken lines form part of the claimed design.

1 Claim, 6 Drawing Sheets



(56)

References Cited

U.S. PATENT DOCUMENTS

D338,329 S	8/1993	Cornwall		D612,567 S	3/2010	Carter	
5,279,423 A *	1/1994	Shuert	B31B 1/25	8,608,003 B2 *	12/2013	Uno	B65D 19/18
			206/524.2				206/206
D348,136 S	6/1994	Haag et al.		D712,148 S *	9/2014	Ghiorgie	D3/304
D348,342 S	6/1994	Lang-Ree et al.		D733,426 S *	7/2015	Haas	D3/272
D363,162 S	10/1995	Bunger		2004/0134390 A1 *	7/2004	Apps	B65D 19/0018
5,564,599 A	10/1996	Barber et al.					108/53.1
D414,333 S	9/1999	Barber et al.		2007/0251857 A1 *	11/2007	Watanabe	B65D 19/02
6,170,689 B1	1/2001	Flesher et al.					206/600
D448,567 S *	10/2001	Buss	D3/304	2013/0081971 A1 *	4/2013	Ritzberger	B65D 19/02
6,367,630 B1	4/2002	Elskamp					206/511
D466,690 S	12/2002	Walsh		2014/0284247 A1 *	9/2014	Balazs	B65D 19/06
6,991,124 B1	1/2006	Palley et al.					206/600
D515,315 S *	2/2006	Rader	D3/304	2014/0360120 A1 *	12/2014	Brisendine	E04F 15/02405
D521,208 S	5/2006	France					52/582.1
D548,924 S	8/2007	Frankenberg		2015/0108037 A1 *	4/2015	Evans	B65D 19/18
D574,150 S *	8/2008	Ross	D3/272				206/600
D580,169 S *	11/2008	Gibson	D3/272	2015/0114871 A1 *	4/2015	Fitzpatrick	B01L 9/06
D580,170 S	11/2008	Klotzman et al.					206/508
				2015/0274359 A1 *	10/2015	Linares	B65D 19/38
							108/53.1

* cited by examiner

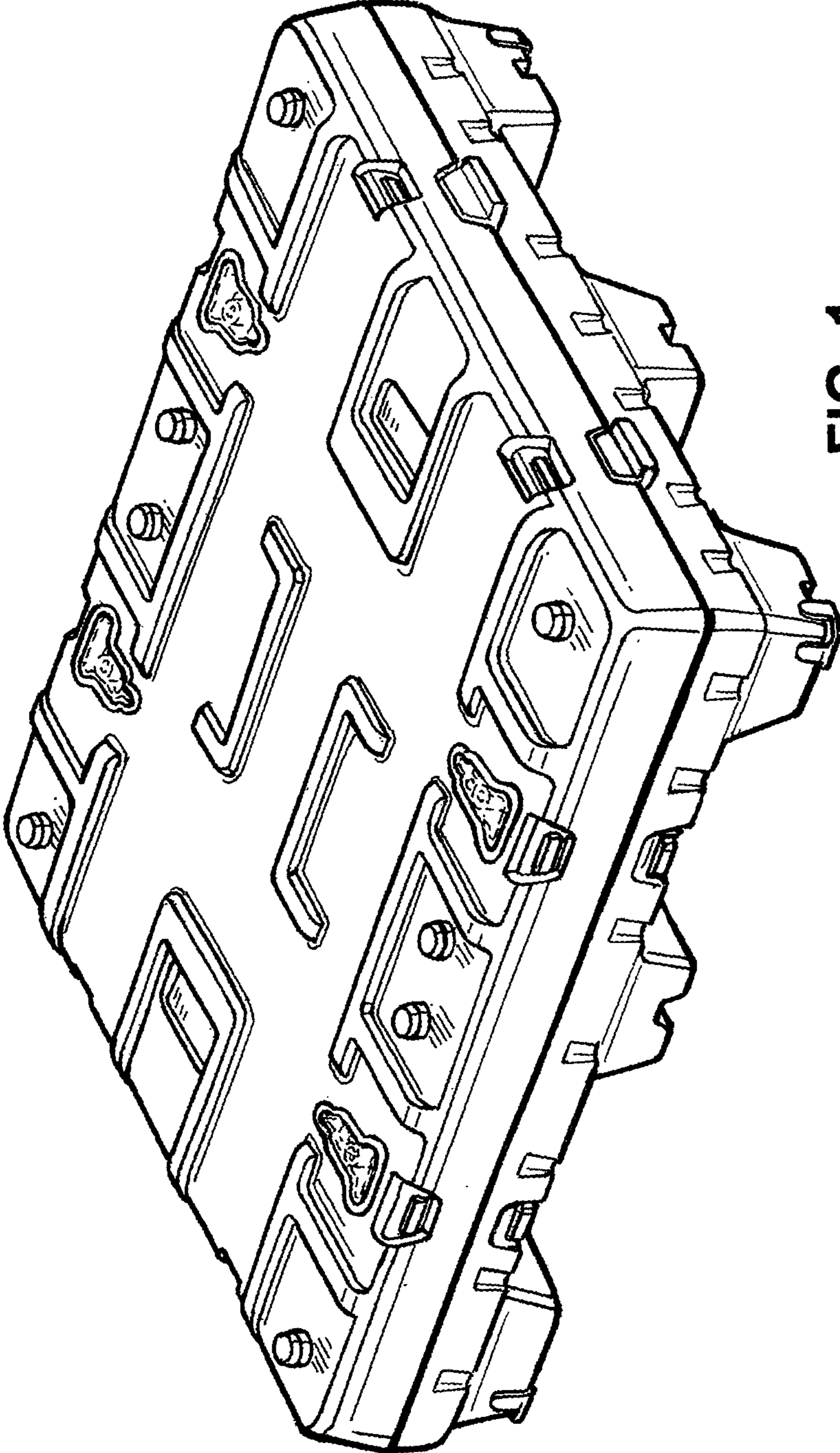


FIG. 1

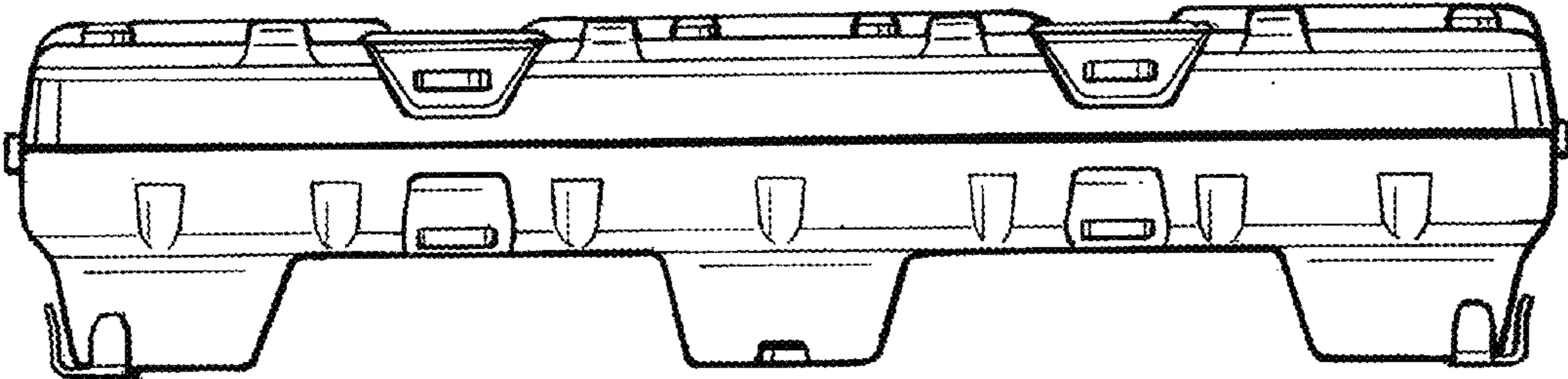


FIG. 2

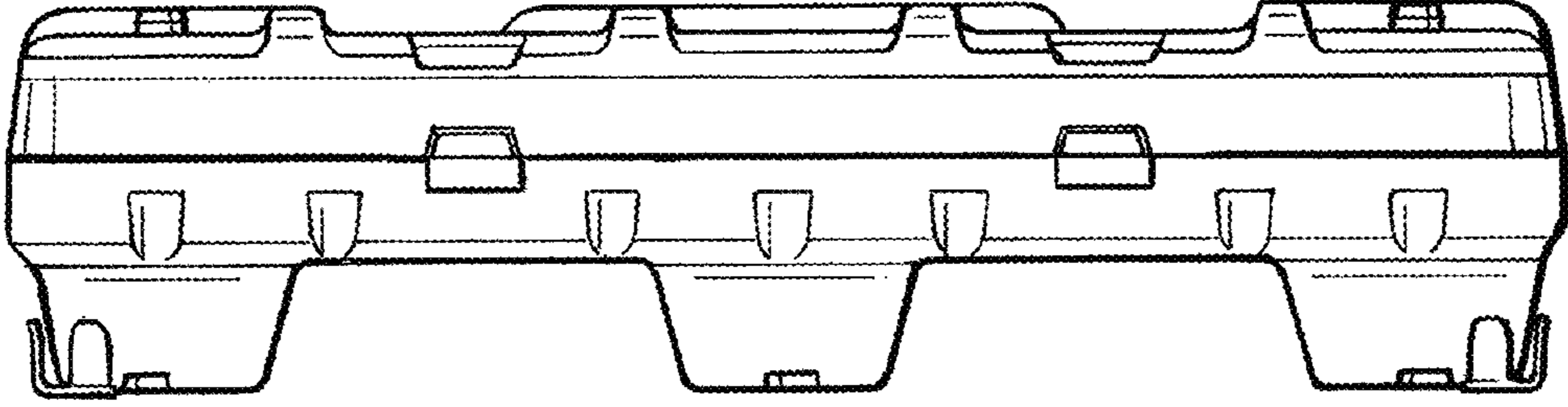


FIG. 3

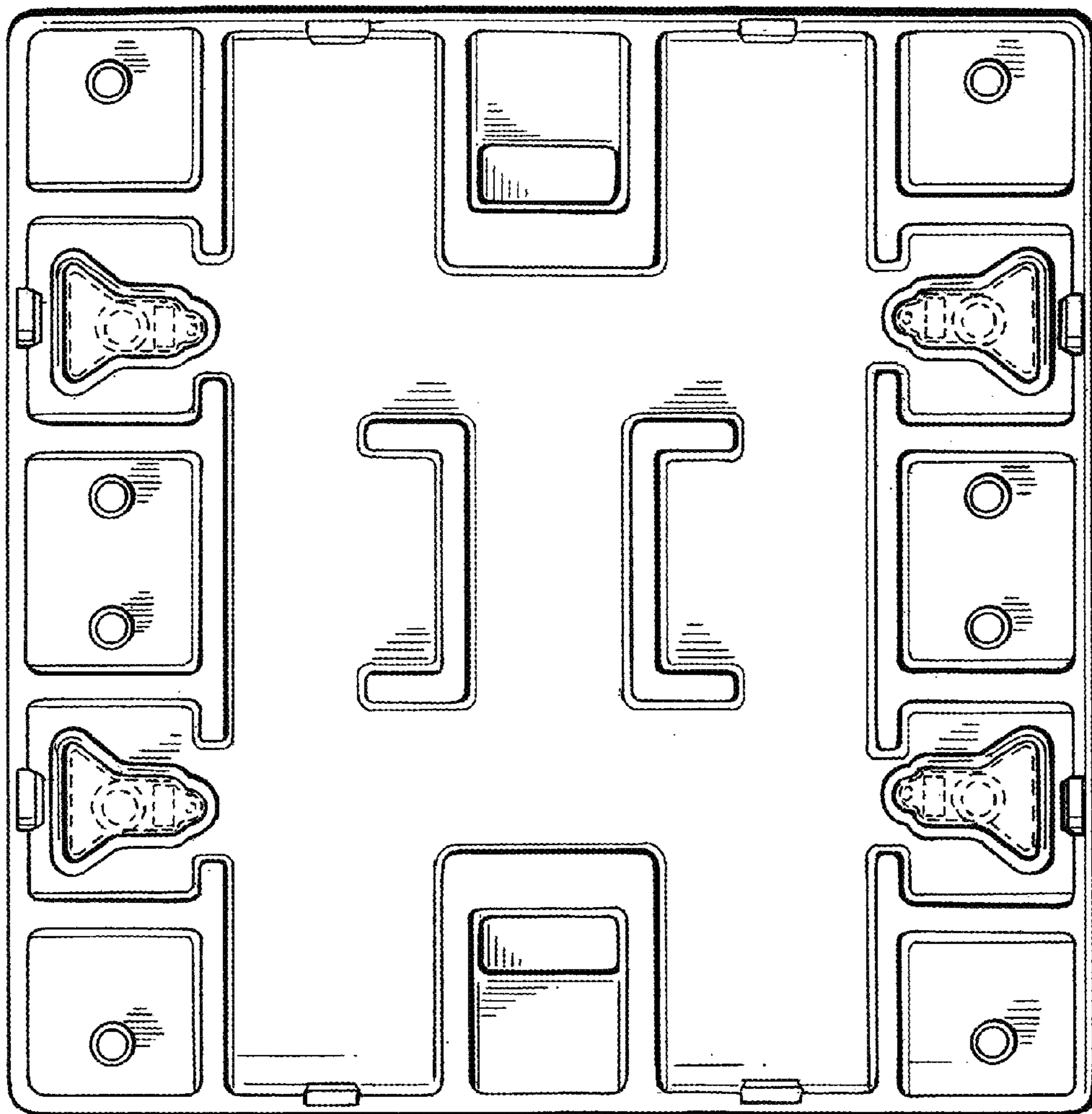


FIG. 4

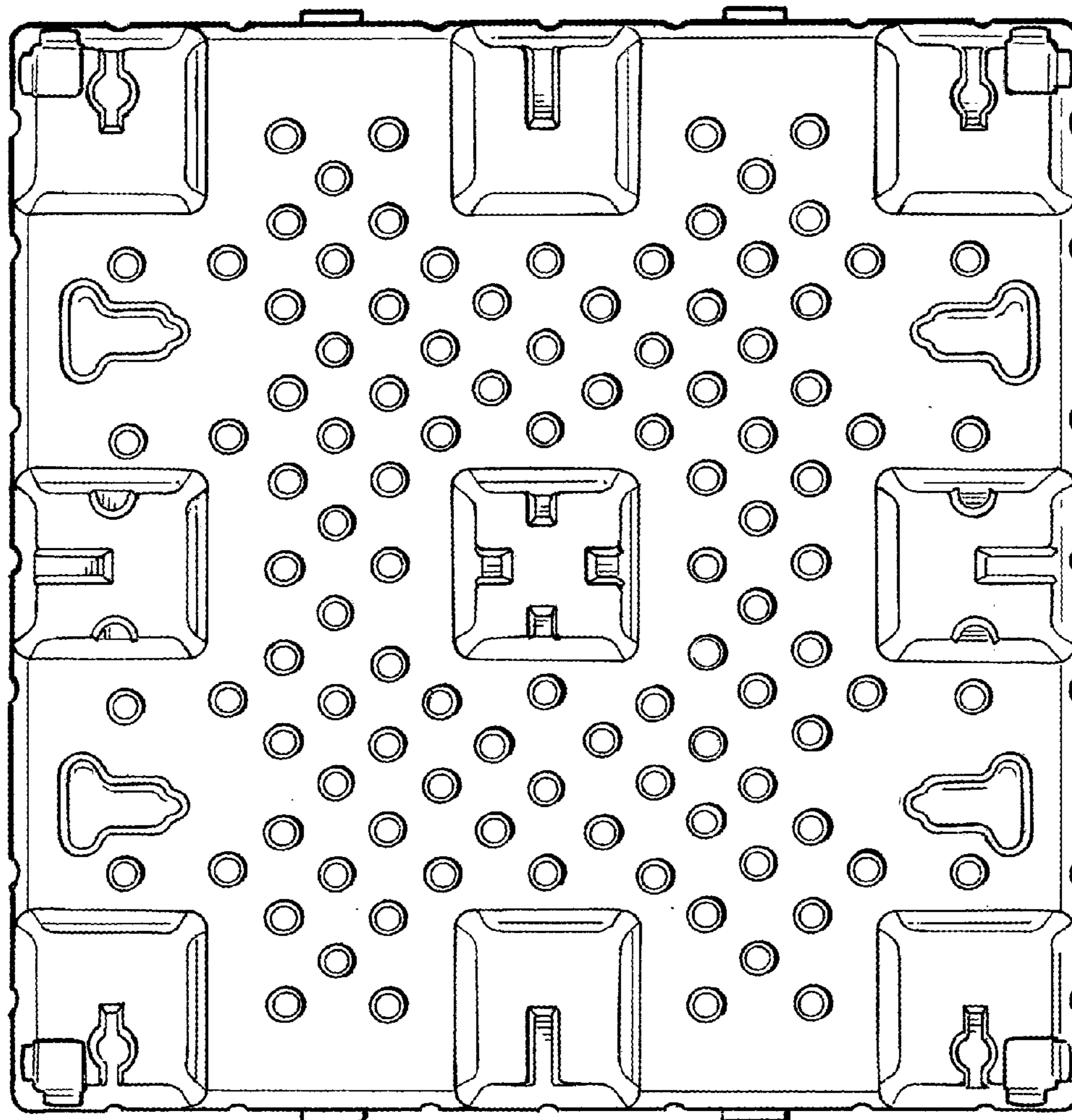


FIG. 5

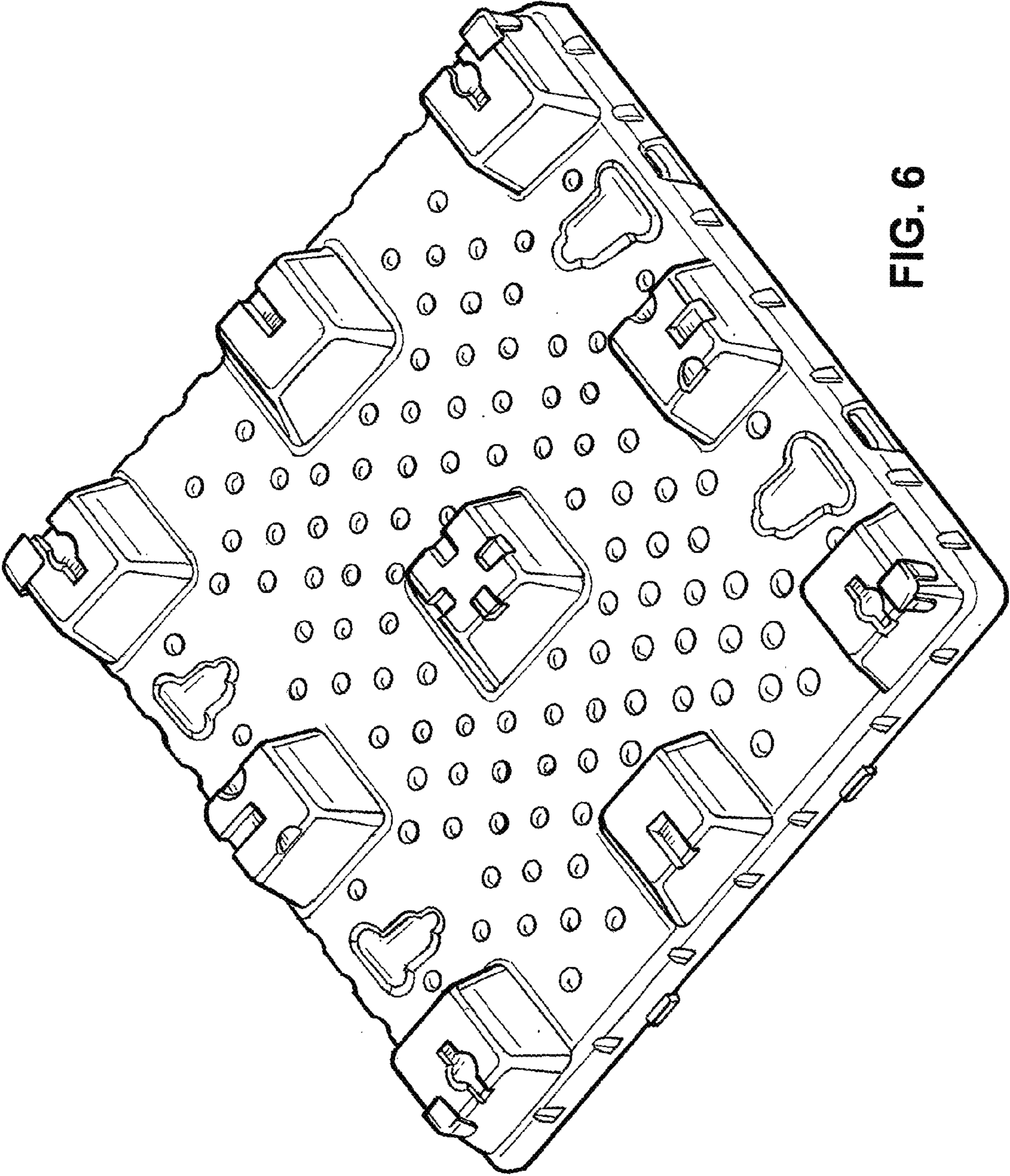


FIG. 6

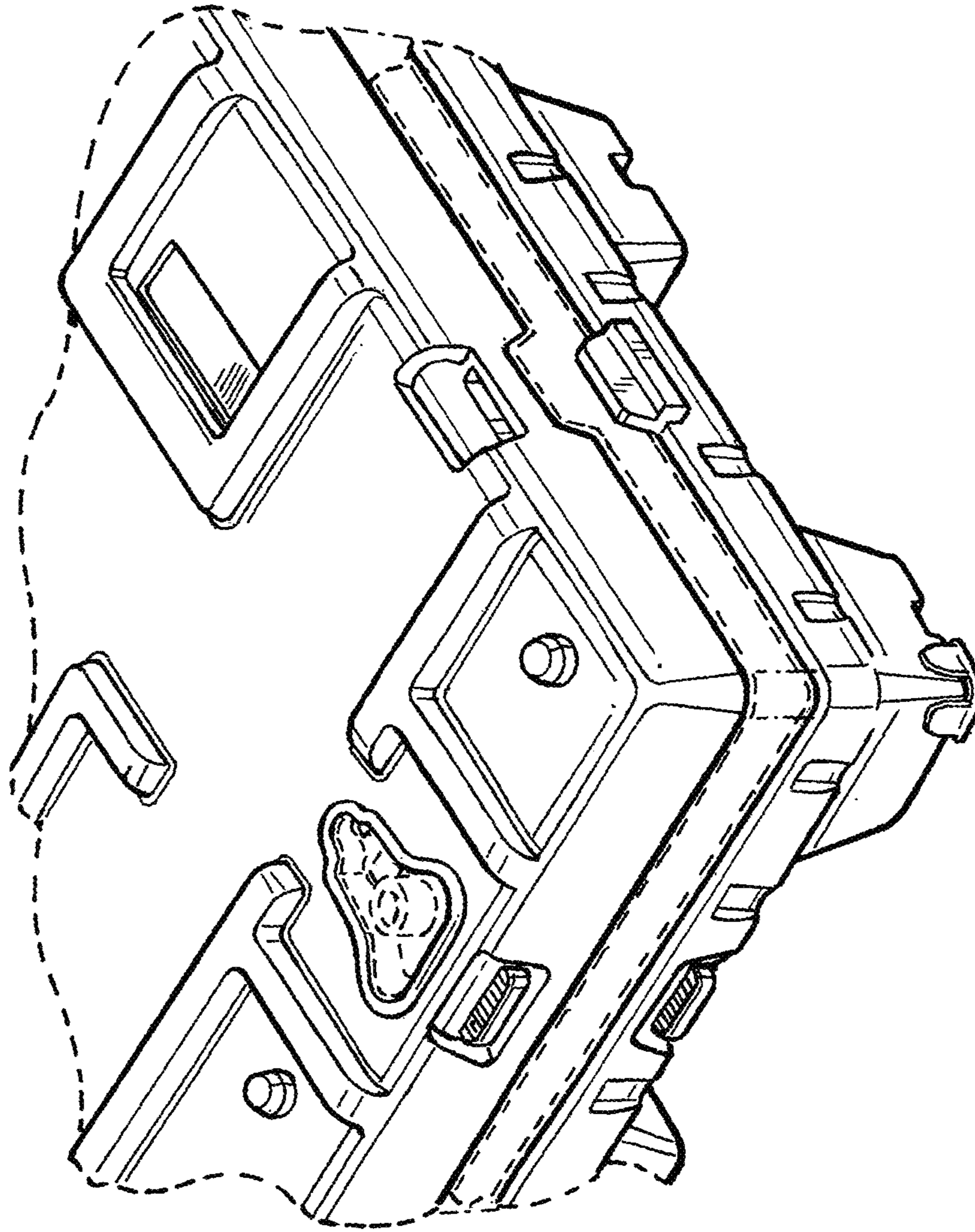


FIG. 7