



US00D756644S

(12) **United States Design Patent**
Murphy, Jr.

(10) **Patent No.:** **US D756,644 S**
(45) **Date of Patent:** **** May 24, 2016**

(54) **EYEGLASS HOLDER**
(71) Applicant: **H. Stetser Murphy, Jr.**, Marietta, GA (US)
(72) Inventor: **H. Stetser Murphy, Jr.**, Marietta, GA (US)
(**) Term: **15 Years**
(21) Appl. No.: **29/542,389**
(22) Filed: **Oct. 14, 2015**
(51) **LOC (10) Cl.** **03-01**
(52) **U.S. Cl.**
USPC **D3/266**
(58) **Field of Classification Search**
USPC D3/207, 215, 219, 229, 263–268, 301, D3/211; D12/417; D16/330, 339; 24/3.3, 24/3.7, 3.8, 563; 206/5, 5.1, 6; 248/902; 351/112, 155; D8/394, 395, 396; D11/215
CPC A45C 11/04; A47F 7/02; A47F 7/021
See application file for complete search history.

(56) **References Cited**
U.S. PATENT DOCUMENTS
374,702 A * 12/1887 Rand G02C 11/00 24/3.3
376,847 A * 1/1888 Ball G02C 11/00 24/3.3
471,734 A 3/1892 Maier, Jr.
543,244 A 7/1895 Hills
D28,534 S 5/1898 Thomson
617,074 A 1/1899 Blumenthal
727,204 A 5/1903 Rogers
1,273,204 A 7/1918 Tumminello
1,469,317 A 10/1923 Hayward
1,493,072 A * 5/1924 Fricker B42F 1/06 132/284
1,621,008 A * 3/1927 Fricker B42F 1/06 132/284
2,235,986 A 3/1941 Ellingson
2,262,340 A * 11/1941 Shalko A45F 5/022 223/109 R
3,148,812 A * 9/1964 Hilsinger, Jr. A45F 5/02 206/5

3,798,712 A * 3/1974 Bonis B43K 23/001 224/181
4,043,006 A 8/1977 Williams et al.
D248,515 S 7/1978 Olson
4,113,156 A * 9/1978 Brito A45F 5/02 224/268
4,157,166 A 6/1979 Voelker
D253,018 S * 10/1979 Robley D3/224
4,237,587 A 12/1980 Hsiao et al.
D262,498 S 1/1982 Beilis
D295,267 S 4/1988 Saraga
4,779,829 A 10/1988 Rocke et al.
D298,611 S 11/1988 Saraga
4,894,887 A 1/1990 Ward, II
D310,167 S * 8/1990 Reber, II D12/417

(Continued)

FOREIGN PATENT DOCUMENTS

WO WO9834523 A1 8/1998
WO WO0030488 A1 6/2000

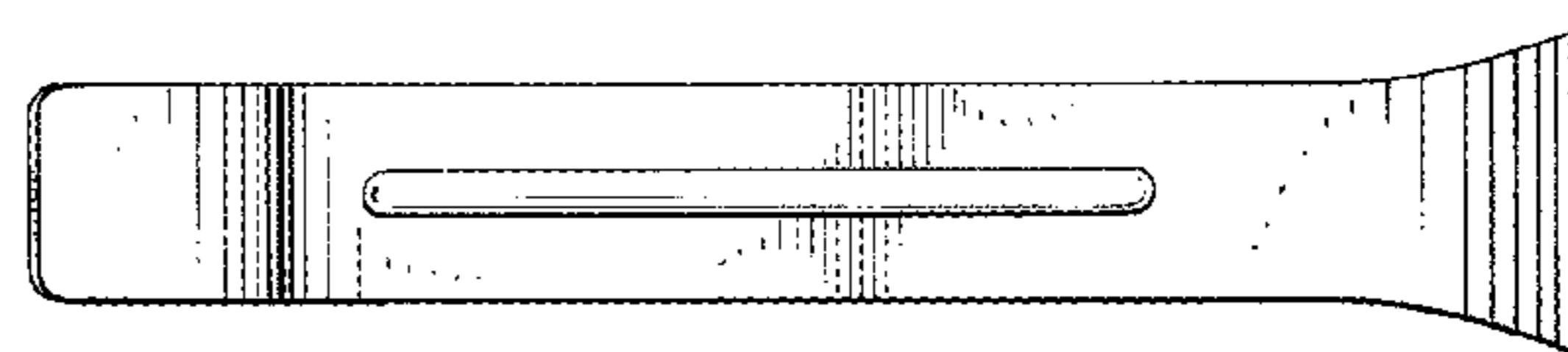
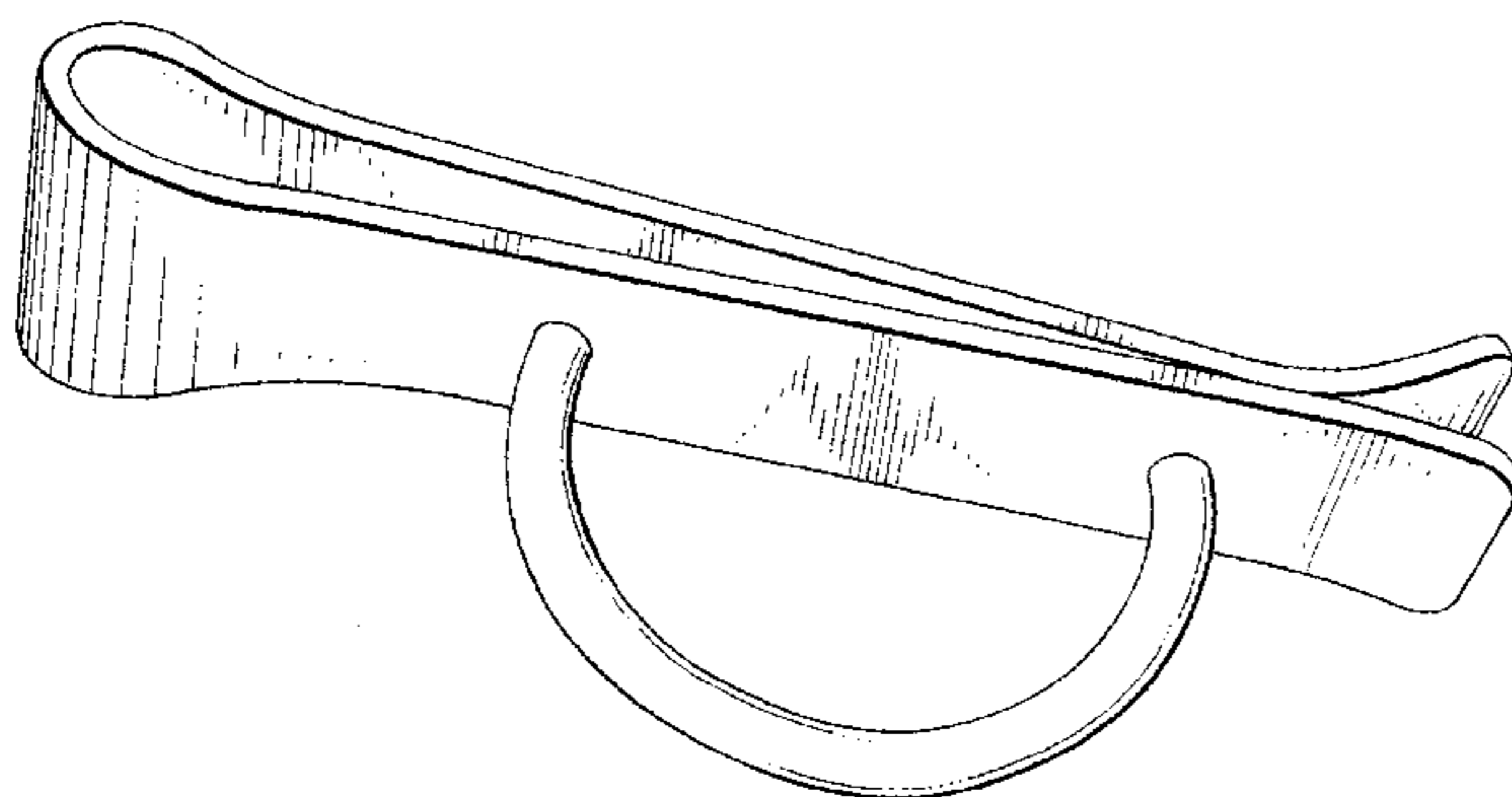
Primary Examiner — T. Chase Nelson
(74) *Attorney, Agent, or Firm* — McGurk Intellectual Property Advisors

(57) **CLAIM**
I claim the ornamental design for an eyeglass holder, as shown and described.

DESCRIPTION

FIG. 1 is a perspective view of a design of an eyeglass holder illustrating the claimed design;
FIG. 2 is a back view of the design of the eyeglass holder shown in FIG. 1;
FIG. 3 is a bottom view of the design of the eyeglass holder shown in FIG. 1;
FIG. 4 is a right side view of the design of the eyeglass holder shown in FIG. 1;
FIG. 5 is a left side view of the design of the eyeglass holder shown in FIG. 1;
FIG. 6 is a front view of the design of the eyeglass holder shown in FIG. 1; and,
FIG. 7 is a top view of the design of the eyeglass holder shown in FIG. 1.

1 Claim, 3 Drawing Sheets



| (56) | References Cited | | | | | |
|--------------|-----------------------|---------|-----------------|-------|-----------------------|--|
| | U.S. PATENT DOCUMENTS | | | | | |
| D316,484 | S * | 4/1991 | Kounis | | D11/215 | |
| D318,675 | S | 7/1991 | Ferdi | | | |
| 5,033,612 | A | 7/1991 | Bivins | | | |
| 5,123,525 | A * | 6/1992 | Orlowski | | A45C 11/04 206/5 | |
| D345,052 | S * | 3/1994 | Stokke | | D11/143 | |
| 5,319,838 | A | 6/1994 | Eppenauer | | | |
| 5,351,098 | A * | 9/1994 | McDaniels | | A45F 5/022 24/3.3 | |
| D354,677 | S * | 1/1995 | Troyer | | D26/138 | |
| D361,032 | S * | 8/1995 | Dougan | | D8/395 | |
| D364,269 | S * | 11/1995 | Sabosky | | D3/207 | |
| D372,937 | S | 8/1996 | Anders | | | |
| 5,551,126 | A | 9/1996 | Wallo | | | |
| 5,592,244 | A | 1/1997 | Vyhmeister | | | |
| D378,018 | S * | 2/1997 | Ouellette | | D3/215 | |
| 5,619,774 | A * | 4/1997 | Perry | | A45F 5/02 24/3.12 | |
| D382,105 | S * | 8/1997 | Bonaldi | | D11/201 | |
| D382,592 | S * | 8/1997 | Maruchi | | 24/562 | |
| 5,697,131 | A * | 12/1997 | Hunt | | B42F 1/06 24/336 | |
| 5,699,140 | A | 12/1997 | Fuhrman | | | |
| 5,755,413 | A | 5/1998 | Press | | | |
| D402,459 | S * | 12/1998 | Steinmacher | | D3/207 | |
| 5,842,613 | A | 12/1998 | White | | | |
| 5,860,191 | A | 1/1999 | Sieger | | | |
| 5,893,198 | A | 4/1999 | DeCotis | | | |
| 5,933,922 | A | 8/1999 | Ochsman | | | |
| 5,941,487 | A | 8/1999 | Keely | | | |
| 5,956,812 | A | 9/1999 | Moennig | | | |
| D415,343 | S * | 10/1999 | Maddox | | D3/207 | |
| 5,966,783 | A * | 10/1999 | Genereux | | A47F 7/021 24/557 | |
| D416,365 | S | 11/1999 | Case et al. | | | |
| D416,675 | S * | 11/1999 | MacDonald | | D3/207 | |
| 5,975,476 | A | 11/1999 | Mancinelli | | | |
| 6,039,173 | A | 3/2000 | Crow | | | |
| 6,076,925 | A | 6/2000 | Kraut | | | |
| D441,222 | S | 5/2001 | Higazy | | | |
| D445,251 | S | 7/2001 | Newler | | | |
| 6,260,749 | B1 * | 7/2001 | Horovitz | | A45F 5/02 206/5 | |
| 6,389,649 | B1 | 5/2002 | Metzler | | | |
| 6,457,218 | B1 * | 10/2002 | Lawrence | | B42F 1/10 24/3.12 | |
| D470,307 | S | 2/2003 | McCormack | | | |
| D471,709 | S | 3/2003 | Coyne | | | |
| 6,533,414 | B2 | 3/2003 | Newler | | | |
| 6,539,587 | B2 | 4/2003 | Harrison | | | |
| D474,015 | S * | 5/2003 | Brown | | D3/215 | |
| 6,598,268 | B1 * | 7/2003 | Zelman | | A45F 5/02 24/13 | |
| D478,630 | S * | 8/2003 | Riggins | | D19/78 | |
| D478,723 | S * | 8/2003 | Blanton | | D3/215 | |
| D479,907 | S * | 9/2003 | Ruiz | | 24/3.6 | |
| D480,555 | S * | 10/2003 | Bledsoe | | D3/215 | |
| 6,688,507 | B2 * | 2/2004 | McCormack | | A44C 25/00 224/247 | |
| 6,848,207 | B1 | 2/2005 | Powell | | | |
| D506,056 | S * | 6/2005 | Burns | | D3/207 | |
| 6,938,304 | B2 * | 9/2005 | Chen | | A45F 5/00 24/3.12 | |
| D510,479 | S * | 10/2005 | Ellis | | D3/215 | |
| D512,833 | S | 12/2005 | Massaro, Jr. | | | |
| D514,310 | S | 2/2006 | Roye | | | |
| D522,852 | S * | 6/2006 | Nawrocki | | D8/395 | |
| D523,237 | S * | 6/2006 | Kiriakides | | D3/211 | |
| D523,330 | S * | 6/2006 | Mattesky | | D8/395 | |
| D537,329 | S * | 2/2007 | Blanton | | D8/395 | |
| 7,200,897 | B2 * | 4/2007 | Silvestro | | G02C 3/04 24/3.3 | |
| D545,183 | S * | 6/2007 | French | | D8/394 | |
| D551,441 | S * | 9/2007 | Bulgari | | D3/207 | |
| 7,296,889 | B2 * | 11/2007 | Dietz | | A45F 5/02 24/3.3 | |
| 7,303,276 | B2 * | 12/2007 | Raymond | | G02C 3/04 24/905 | |
| 7,346,934 | B1 | 3/2008 | Scott | | | |
| D578,152 | S * | 10/2008 | Oas | | D16/330 | |
| D586,027 | S | 2/2009 | Wykes et al. | | | |
| 7,487,574 | B2 * | 2/2009 | Lee-Holowka | | A45C 11/04 2/1 | |
| D590,443 | S | 4/2009 | Goldman et al. | | | |
| 7,553,018 | B1 * | 6/2009 | Riazi | | A45F 5/02 24/3.3 | |
| D595,568 | S * | 7/2009 | Ellwood | | D8/395 | |
| D598,646 | S * | 8/2009 | Castaline | | D3/207 | |
| 7,568,250 | B2 * | 8/2009 | Menard-Flanagan | .. | B25H 3/006 24/3.12 | |
| D599,105 | S * | 9/2009 | Castaline | | D3/207 | |
| D602,687 | S * | 10/2009 | Castaline | | D3/207 | |
| 7,607,627 | B1 * | 10/2009 | Mchatet | | B60R 7/082 24/3.12 | |
| D603,604 | S * | 11/2009 | DeSario | | D3/219 | |
| D604,944 | S * | 12/2009 | Chiu | | D3/211 | |
| D605,398 | S | 12/2009 | Rodriguez | | | |
| D615,751 | S * | 5/2010 | Avery | | D3/215 | |
| D620,785 | S * | 8/2010 | St. Germaine | | D8/395 | |
| D623,457 | S | 9/2010 | Chen | | | |
| 7,850,302 | B1 * | 12/2010 | Riazi | | A45F 5/02 24/3.3 | |
| D641,153 | S * | 7/2011 | van den Hurk | | D3/215 | |
| D643,212 | S * | 8/2011 | Rathbun | | D3/266 | |
| D649,348 | S | 11/2011 | Murphy, Jr. | | | |
| D649,581 | S * | 11/2011 | Foulger | | D16/339 | |
| D652,830 | S * | 1/2012 | Nazar | | D12/417 | |
| D661,091 | S | 6/2012 | Murphy, Jr. | | | |
| D668,042 | S | 10/2012 | Nannestad | | | |
| D670,903 | S * | 11/2012 | Ormsbee | | D3/215 | |
| D674,590 | S * | 1/2013 | Busch | | D3/207 | |
| D683,951 | S * | 6/2013 | Busch | | D3/207 | |
| 8,469,511 | B2 * | 6/2013 | Miller | | A45F 5/02 24/3.3 | |
| D685,986 | S * | 7/2013 | Lazott | | D3/215 | |
| D686,062 | S * | 7/2013 | Thompson | | D8/394 | |
| D686,910 | S * | 7/2013 | Towell, Jr. | | D8/395 | |
| D707,444 | S | 6/2014 | Murphy, Jr. | | | |
| D707,445 | S | 6/2014 | Murphy, Jr. | | | |
| 8,739,368 | B2 | 6/2014 | Murphy, Jr. | | | |
| D710,097 | S * | 8/2014 | Forbus | | D3/266 | |
| D710,595 | S * | 8/2014 | Clifton, Jr. | | D3/215 | |
| D714,539 | S * | 10/2014 | Busch | | D3/207 | |
| D717,541 | S * | 11/2014 | Forbus | | D3/266 | |
| 8,914,949 | B2 * | 12/2014 | Thomson | | A45C 1/06 24/563 | |
| D745,776 | S * | 12/2015 | Perreault | | D3/215 | |
| 2002/0131016 | A1 | 9/2002 | Newler | | | |
| 2002/0170147 | A1 | 11/2002 | Heller | | | |
| 2003/0014845 | A1 | 1/2003 | Harrison | | | |
| 2003/0131449 | A1 | 7/2003 | McCormack | | | |
| 2003/0229971 | A1 | 12/2003 | Coyne | | | |
| 2004/0025216 | A1 | 2/2004 | Marogil | | | |
| 2005/0146676 | A1 | 7/2005 | Silvestro | | | |
| 2005/0241115 | A1 | 11/2005 | Zoullas | | | |
| 2006/0055866 | A1 | 3/2006 | Dietz | | | |
| 2007/0006425 | A1 * | 1/2007 | Woodbury | | A45C 11/04 24/3.3 | |
| 2008/0010782 | A1 * | 1/2008 | Sturdy | | A45F 5/02 24/3.3 | |
| 2009/0019671 | A1 * | 1/2009 | Trullas | | A45F 5/02 24/3.3 | |
| 2009/0025186 | A1 * | 1/2009 | Lee-Holowka | | A45C 11/04 24/3.3 | |
| 2009/0083945 | A1 | 4/2009 | Huang | | | |
| 2009/0126159 | A1 * | 5/2009 | Murphy, Jr. | | A45F 5/00 24/3.3 | |
| 2009/0284709 | A1 * | 11/2009 | Didner | | A45F 5/02 351/112 | |
| 2010/0180406 | A1 * | 7/2010 | Mor | | G02C 3/04 24/3.3 | |

(56)

References Cited

U.S. PATENT DOCUMENTS

| | | | | | | | | | |
|------------------|---------|-------------|------------|--------|------------------|---------|----------------|------------|--------|
| 2011/0277276 A1* | 11/2011 | Pucci | A44B 9/20 | 24/3.3 | 2013/0167328 A1* | 7/2013 | Brown | A45F 5/022 | 24/3.3 |
| 2012/0272483 A1* | 11/2012 | Moore | A42B 1/247 | 24/3.3 | 2014/0317887 A1* | 10/2014 | Santilli | A45F 5/04 | 24/8 |
| | | | | | 2016/0025996 A1* | 1/2016 | Bacon | A45F 5/02 | 24/3.3 |

* cited by examiner

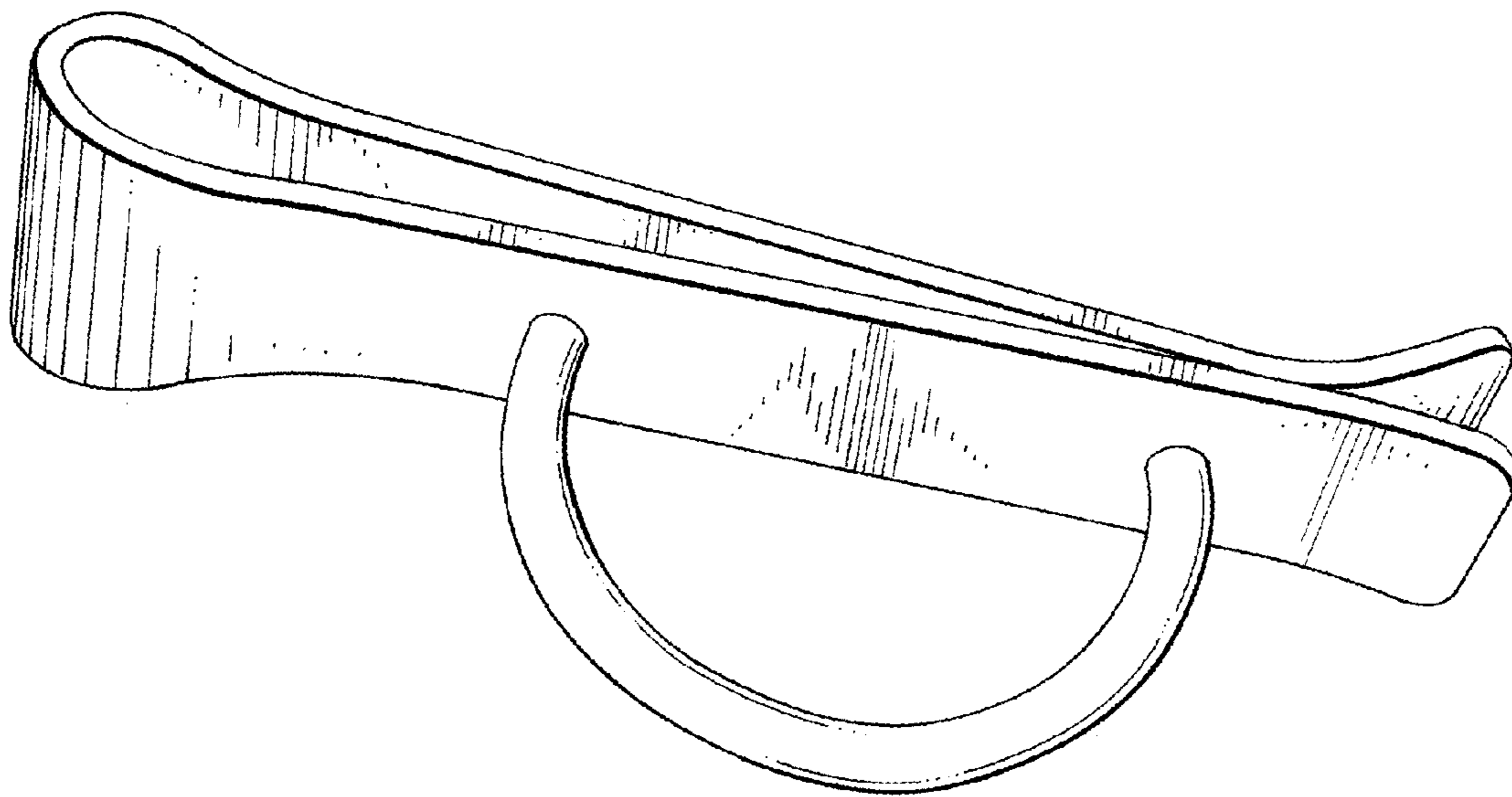


Fig. 1

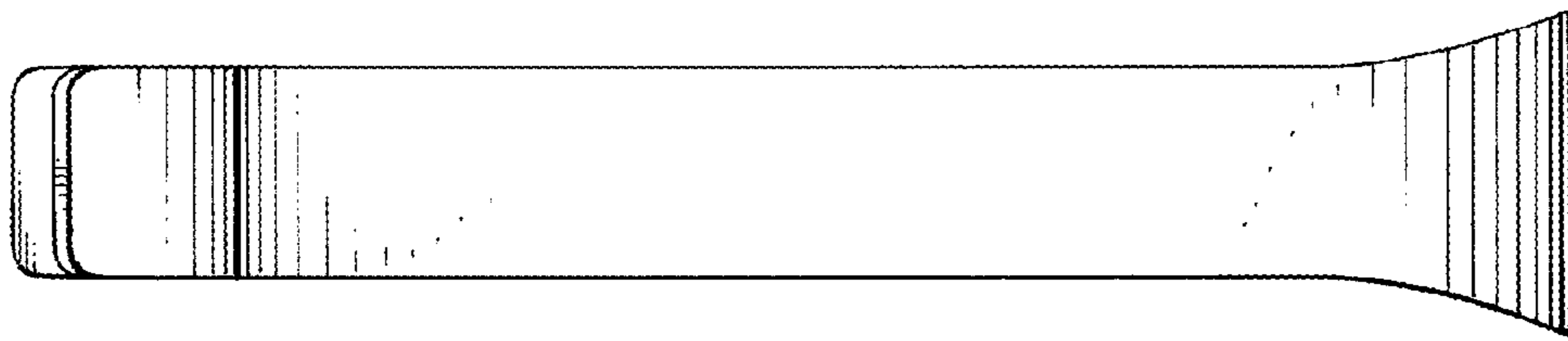


Fig. 2

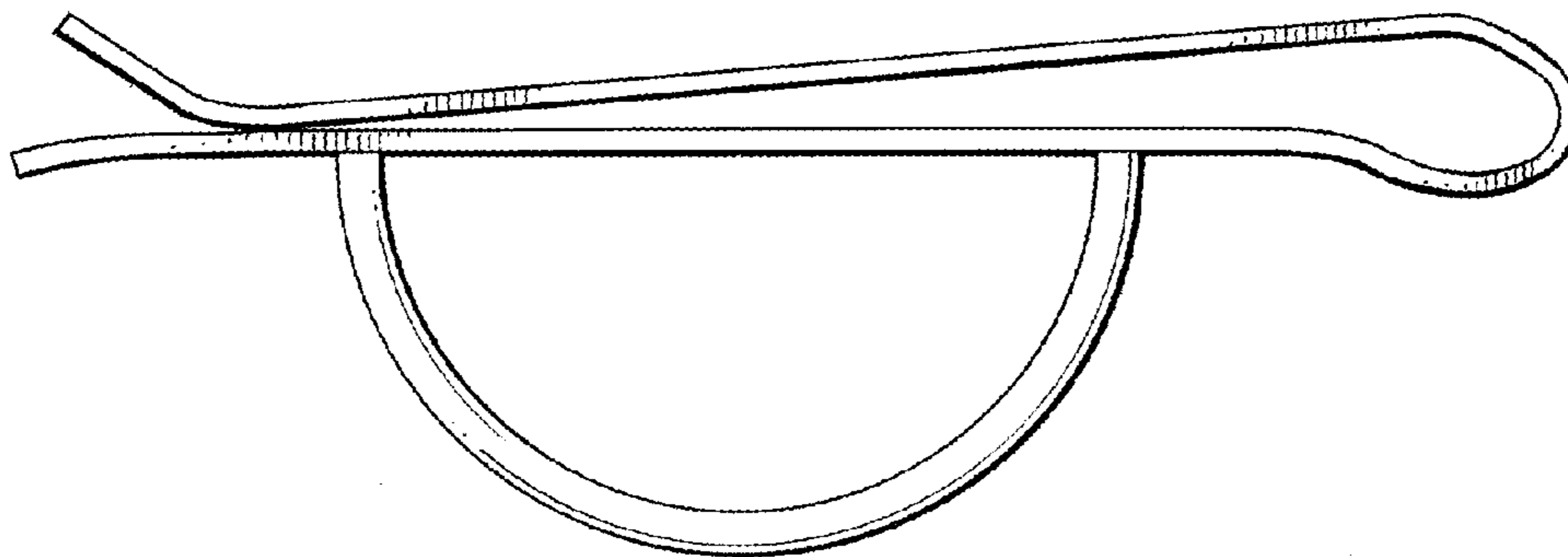


Fig. 3

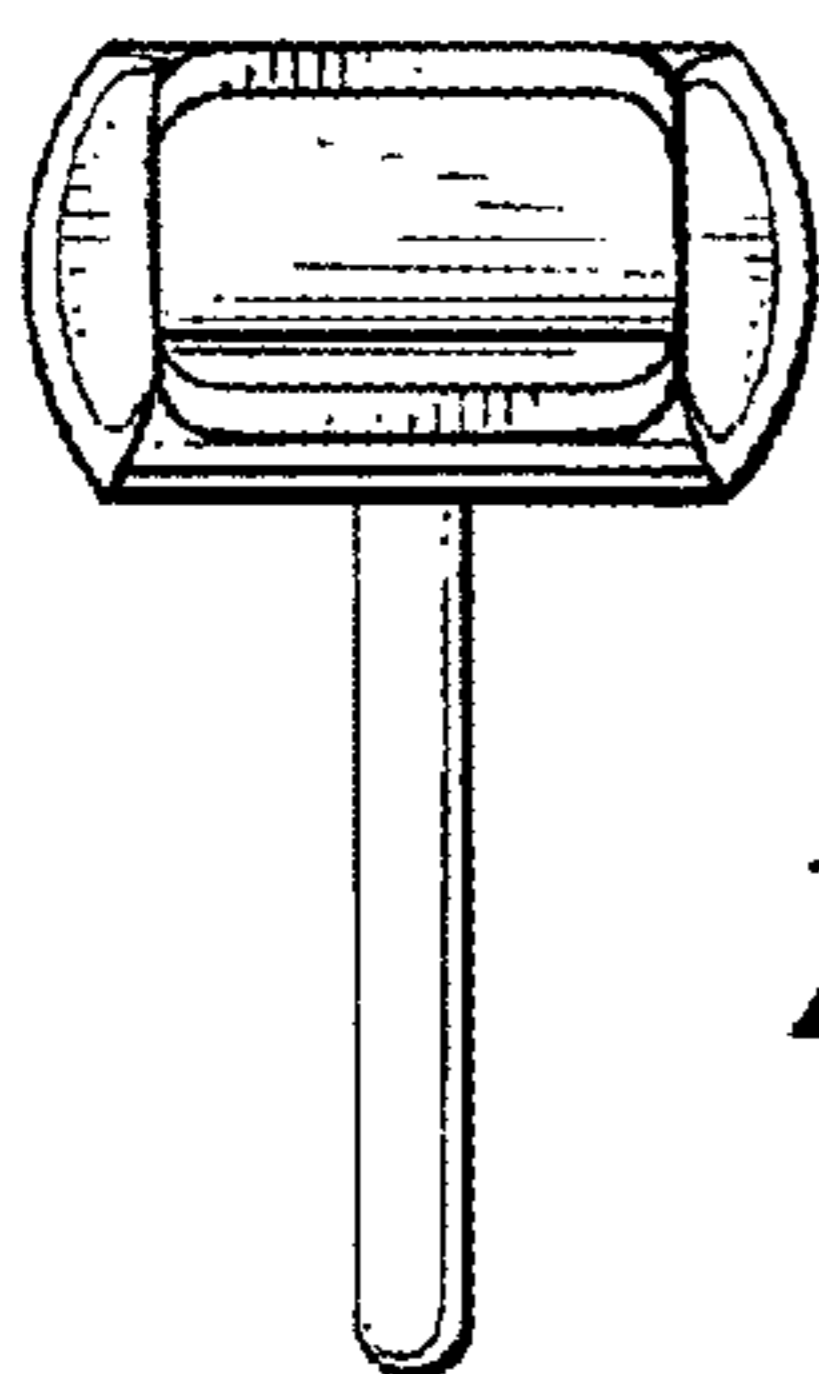


Fig. 4

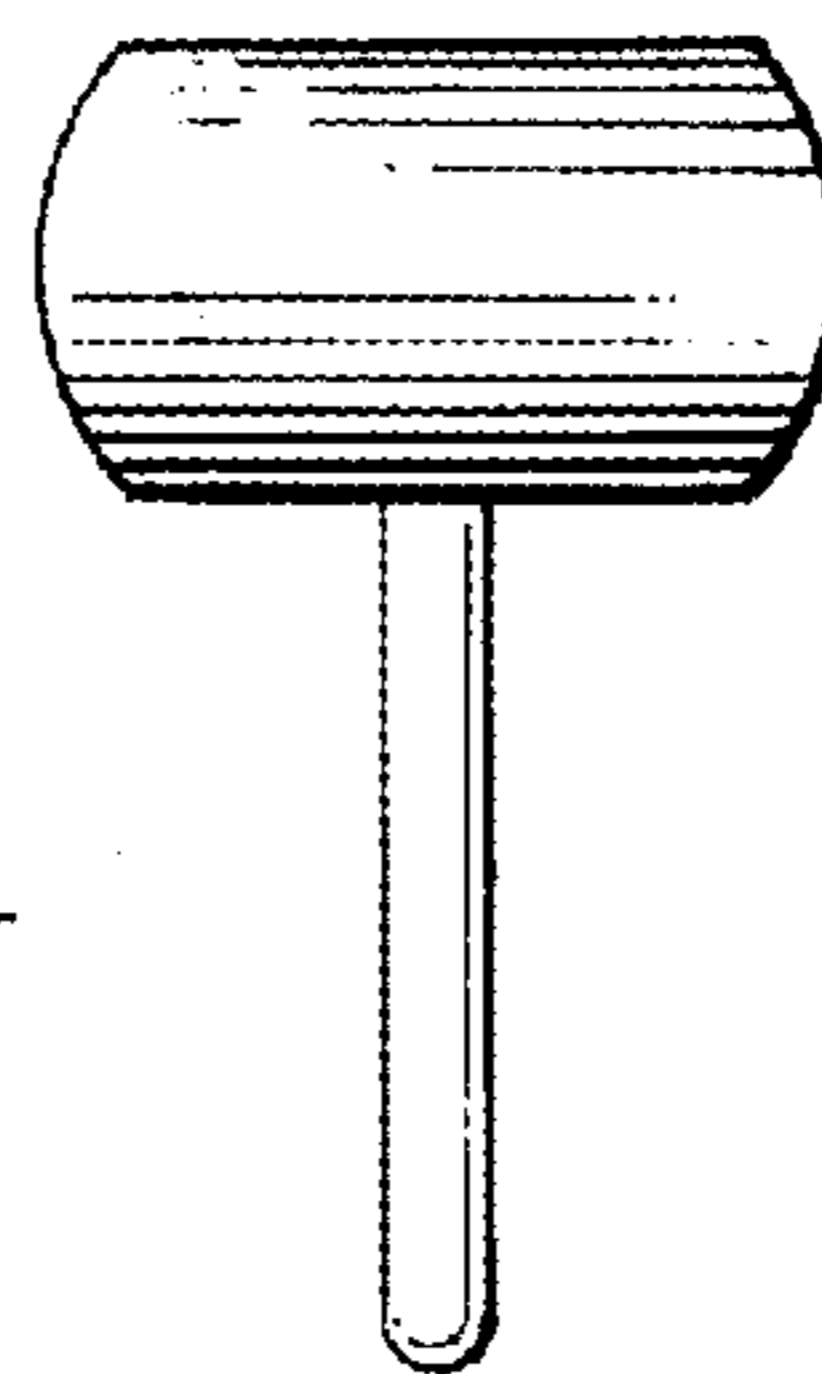


Fig. 5

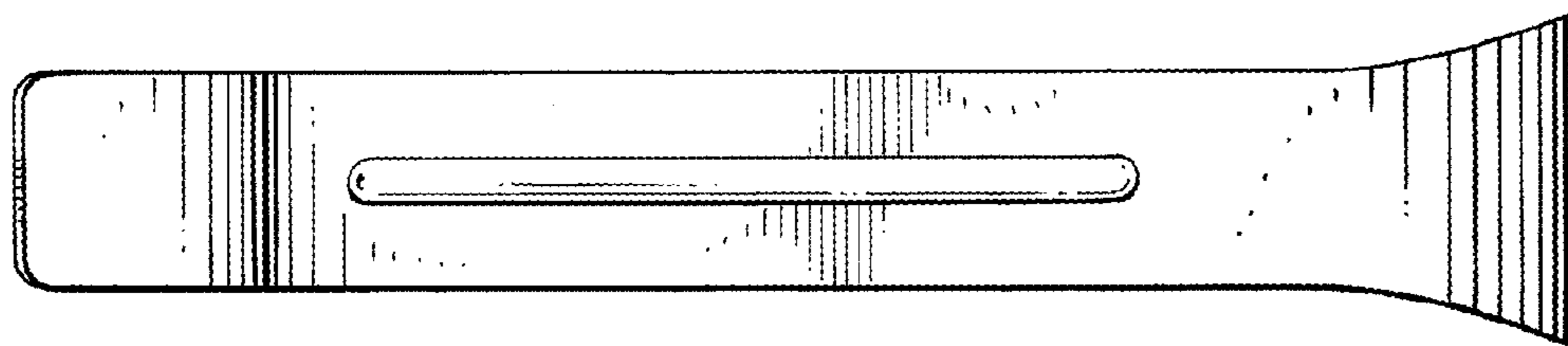


Fig. 6

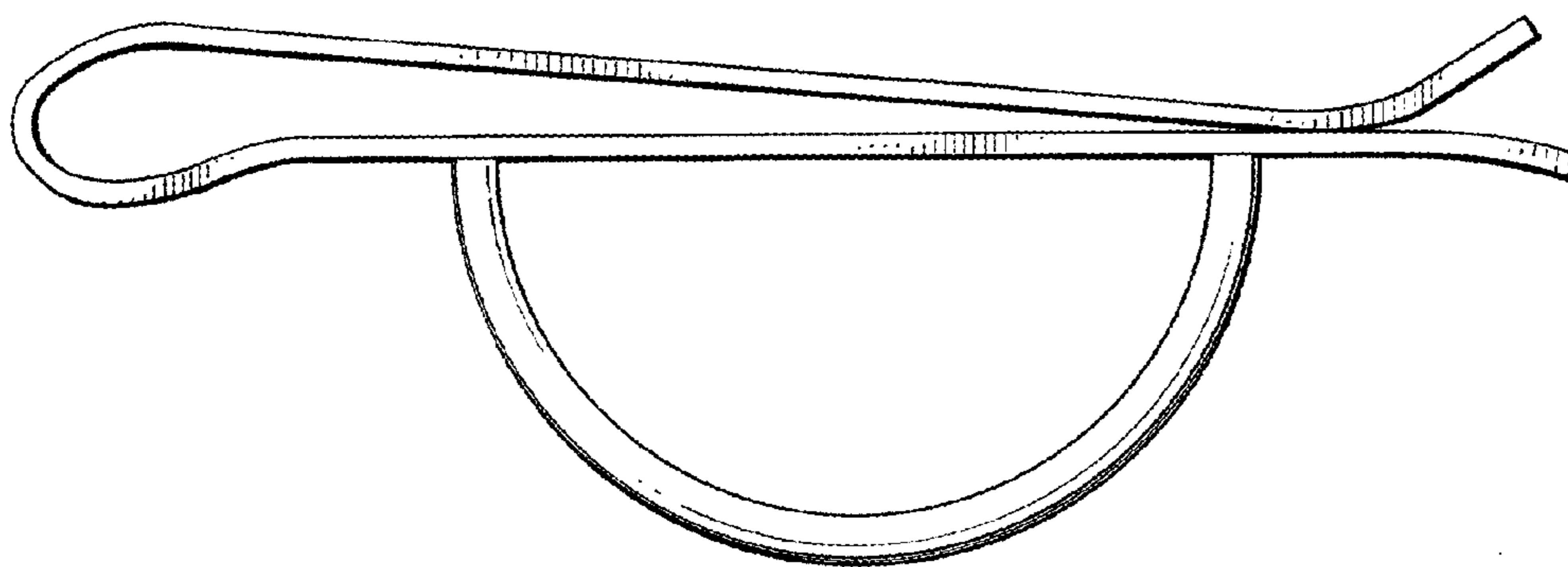


Fig. 7