

US00D756643S

(12) **United States Design Patent**  
**DeChant**

(10) **Patent No.:** **US D756,643 S**

(45) **Date of Patent:** **\*\* May 24, 2016**

(54) **HORIZONTAL TRIFOLD CELL PHONE WALLET**

(71) Applicant: **Daniel A. DeChant**, Madison, WI (US)

(72) Inventor: **Daniel A. DeChant**, Madison, WI (US)

(\*\*) Term: **14 Years**

(21) Appl. No.: **29/524,368**

(22) Filed: **Apr. 20, 2015**

**Related U.S. Application Data**

(63) Continuation of application No. 29/449,461, filed on Mar. 15, 2013, now Pat. No. Des. 730,646.

(51) **LOC (10) Cl.** ..... **03-01**

(52) **U.S. Cl.**  
USPC ..... **D3/247**

(58) **Field of Classification Search**

USPC ..... D3/232–233, 240–243, 245–246

CPC ..... A45C 1/024; A45C 3/06

See application file for complete search history.

(56) **References Cited**

**U.S. PATENT DOCUMENTS**

D13,040 S 7/1882 Brueck

658,394 A 9/1900 Peters

(Continued)

**FOREIGN PATENT DOCUMENTS**

CA 134785 10/2010

DE 197428065 11/1974

(Continued)

**OTHER PUBLICATIONS**

Co-pending U.S. Appl. No. 13/833,164, filed Mar. 15, 2013.

(Continued)

*Primary Examiner* — Holly Baynham

(74) *Attorney, Agent, or Firm* — Michael Best & Friedrich LLP

(57) **CLAIM**

The ornamental design for a horizontal trifold cell phone wallet, as shown and described.

**DESCRIPTION**

FIG. 1 is a perspective view of a horizontal trifold cell phone wallet with an exterior framed pocket and interior slot pockets according to another embodiment showing my new design;

FIG. 2 is a front view thereof;

FIG. 3 is a rear view thereof;

FIG. 4 is a left side view thereof;

FIG. 5 is a right side view thereof;

FIG. 6 is a top view thereof;

FIG. 7 is a bottom view thereof;

FIG. 8 is a perspective view of the horizontal trifold cell phone wallet with an exterior framed pocket and interior slot pockets in an open condition;

FIG. 9 is a front view thereof;

FIG. 10 is a rear view thereof;

FIG. 11 is a left side view thereof;

FIG. 12 is a right side view thereof;

FIG. 13 is a top view thereof;

FIG. 14 is a bottom view thereof;

FIG. 15 is a perspective view of the horizontal trifold cell phone wallet with an exterior framed pocket and interior slot pockets in a stand configuration;

FIG. 16 is a front view thereof;

FIG. 17 is a rear view thereof;

FIG. 18 is a left side view thereof;

FIG. 19 is a right side view thereof;

FIG. 20 is a top view thereof;

FIG. 21 is a bottom view thereof;

FIG. 22 is a perspective view of a horizontal trifold cell phone wallet with an exterior framed pocket and interior framed pockets according to another embodiment showing my new design;

FIG. 23 is a front view thereof;

wherein the rear view, left side view, right side view, top view, and bottom view thereof are identified to FIGS. 3, 4, 5, 6, and 7, respectively;

FIG. 24 is a perspective view of the horizontal trifold cell phone wallet with an exterior framed pocket and interior framed pockets in an open condition;

FIG. 25 is a front view thereof;

FIG. 26 is a rear view thereof;

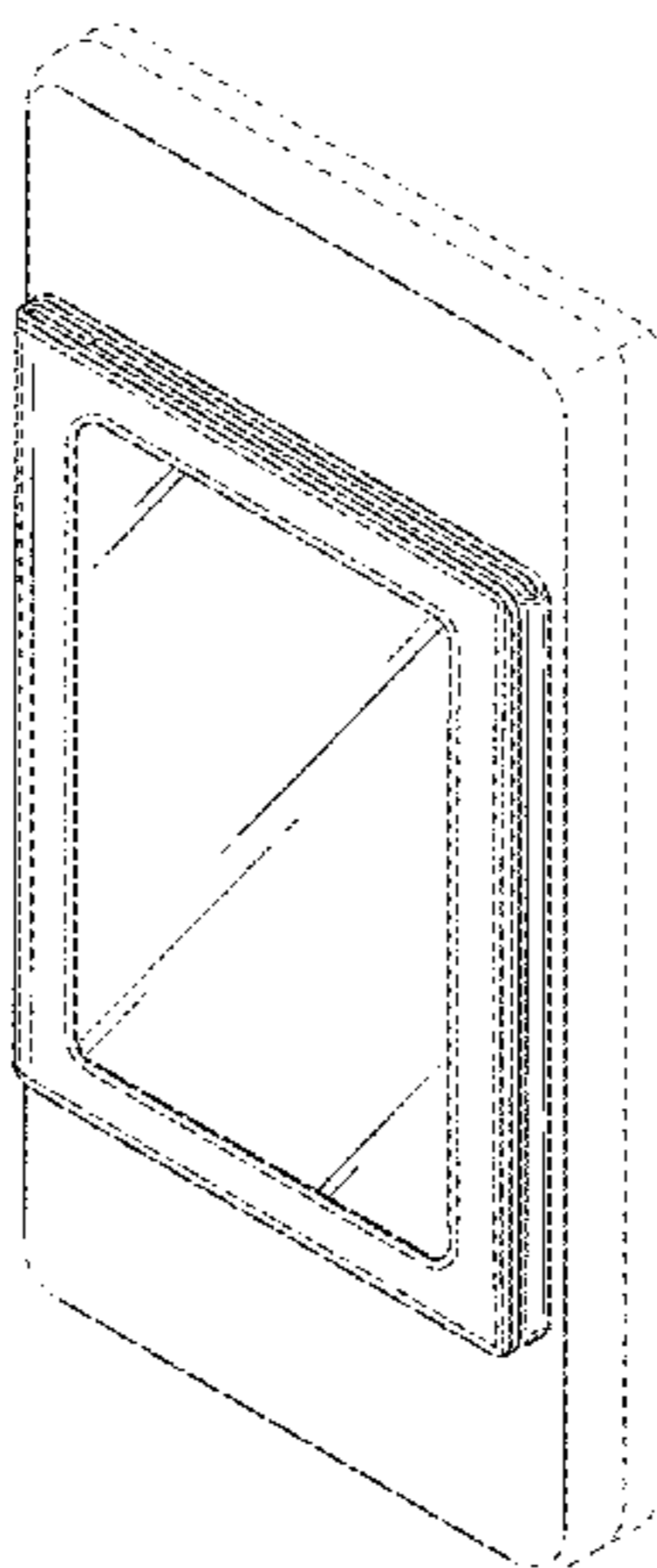
wherein the left side view, right side view, top view, and bottom view thereof are identical to FIGS. 11, 12, 13, and 14 respectively;

FIG. 27 is a perspective view of the horizontal trifold cell phone wallet with an exterior framed pocket and interior framed pockets in a stand configuration;

wherein the front view, rear view, left side view, right side view, top view, and bottom view thereof are identical to FIGS. 16, 17, 18, 19, 20, and 21 respectively.

The present application is directed to the design illustrated in the drawings. The broken lines showing portions of the cell phone wallet are for purposes of illustrating environment and forms no part of the claimed design.

**1 Claim, 22 Drawing Sheets**



(56)

References Cited

U.S. PATENT DOCUMENTS

833,834	A	10/1906	Hille
940,853	A	11/1909	Cardwell
1,035,945	A	8/1912	Cardwell
1,035,946	A	8/1912	Cardwell
1,073,768	A	9/1913	Loveland
D45,677	S	4/1914	Shick
1,269,247	A	6/1918	Aslin
1,582,492	A	4/1926	Tantlinger
1,671,297	A	5/1928	L'Enfant
D101,819	S	11/1936	Miller
D112,415	S	11/1938	Zumft
D134,884	S	1/1943	Engelstein
D178,800	S	9/1956	McKinnon
D185,056	S	5/1959	Arkin
3,162,227	A	12/1964	Bakken
3,370,777	A	2/1968	Levi
D255,509	S	6/1980	Nathan et al.
4,388,734	A	6/1983	Cowden
D279,423	S	7/1985	Zucker
4,705,086	A	11/1987	O'Neill
D308,887	S	6/1990	Wyant
4,942,913	A	7/1990	Musso
D311,815	S	11/1990	Balsley
D314,213	S	1/1991	Bishop
D334,588	S	4/1993	Okola
D340,355	S	10/1993	Little
D342,829	S	1/1994	Mitchell
D410,774	S	6/1999	Inbert
D434,899	S	12/2000	Kojoori
D435,339	S	12/2000	Cleveland
D435,340	S	12/2000	Kojoori
6,427,836	B1	8/2002	Bolanos
D471,704	S	3/2003	Moore
D510,596	S	10/2005	Ong
D527,899	S	9/2006	Morehead
7,204,398	B1	4/2007	Smith, Sr.
D551,446	S	9/2007	Elnekaveh
7,496,971	B2	3/2009	Soto
D594,656	S	6/2009	Wills
D608,092	S	1/2010	Holzner et al.
D619,806	S	7/2010	Franks

D633,714	S	3/2011	Marshall
8,047,364	B2	11/2011	Longinotti-Buitoni
8,833,379	B1	9/2014	Kaplan
D718,525	S *	12/2014	Kim ..... D3/247
D727,019	S	4/2015	DeChant
D727,619	S	4/2015	DeChant
D728,228	S	5/2015	DeChant
D728,229	S	5/2015	DeChant
D728,928	S	5/2015	DeChant
D730,646	S	6/2015	DeChant
2005/0126667	A1	6/2005	Bell
2007/0057004	A1	3/2007	Butler et al.
2007/0232372	A1	10/2007	Plaster
2007/0262112	A1	11/2007	Butler et al.
2008/0006355	A1	1/2008	Gomez Micone
2008/0121322	A1	5/2008	Thomson
2009/0050686	A1	2/2009	Kon et al.
2009/0194571	A1	8/2009	Evans
2011/0030860	A1	2/2011	Allen et al.
2011/0057034	A1	3/2011	Maxwell
2011/0277892	A1	11/2011	Black
2012/0043234	A1	2/2012	Westrup
2012/0050968	A1	3/2012	Child et al.
2012/0168483	A1	7/2012	Jambunathan et al.
2013/0140203	A1	6/2013	Chiang

FOREIGN PATENT DOCUMENTS

DE	199107205	7/1991
GB	2145622	4/1985
GB	2070518	11/1997
GB	4019846	5/2011
KR	300268261	12/2000
WO	D073447	3/2010
WO	2012/087152	6/2012

OTHER PUBLICATIONS

Co-pending U.S. Appl. No. 29/520,710, filed Mar. 17, 2015.  
 Co-pending U.S. Appl. No. 29/518,870, filed Feb. 27, 2015.  
 Co-pending U.S. Appl. No. 29/513,713, filed Jan. 5, 2015.  
 Co-pending U.S. Appl. No. 29/519,837, filed Mar. 9, 2015.  
 Co-pending U.S. Appl. No. 29/513,712, filed Jan. 5, 2015.

\* cited by examiner

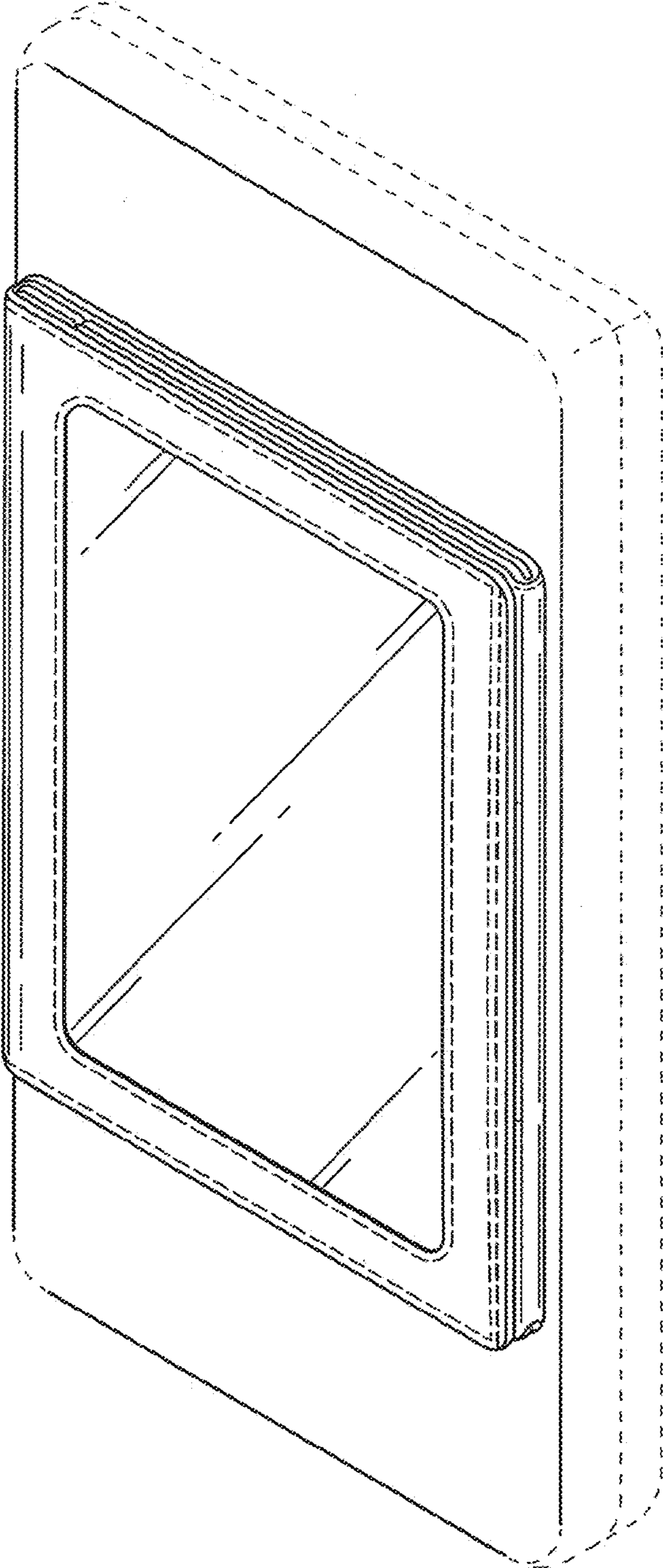


FIG. 1

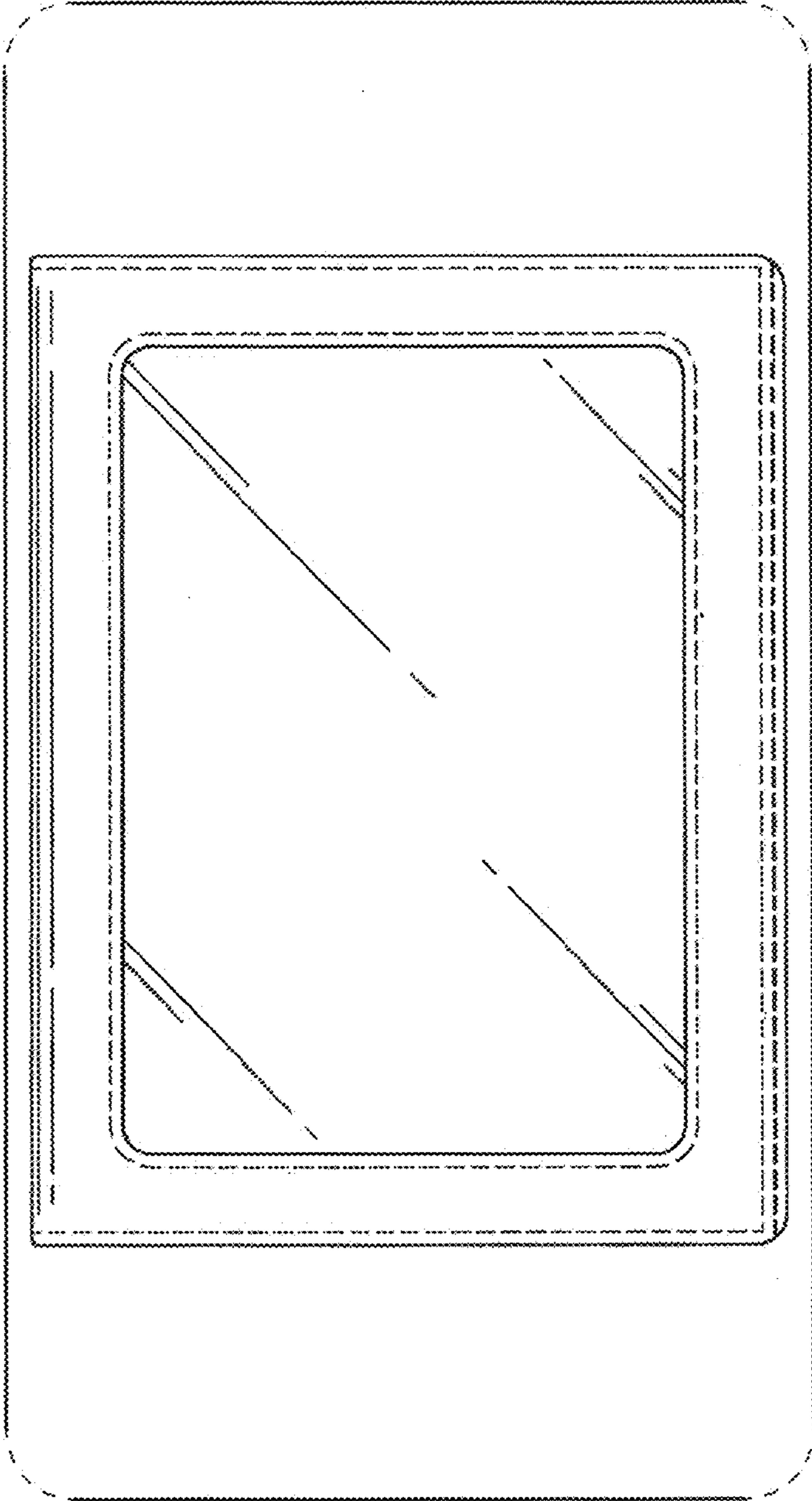
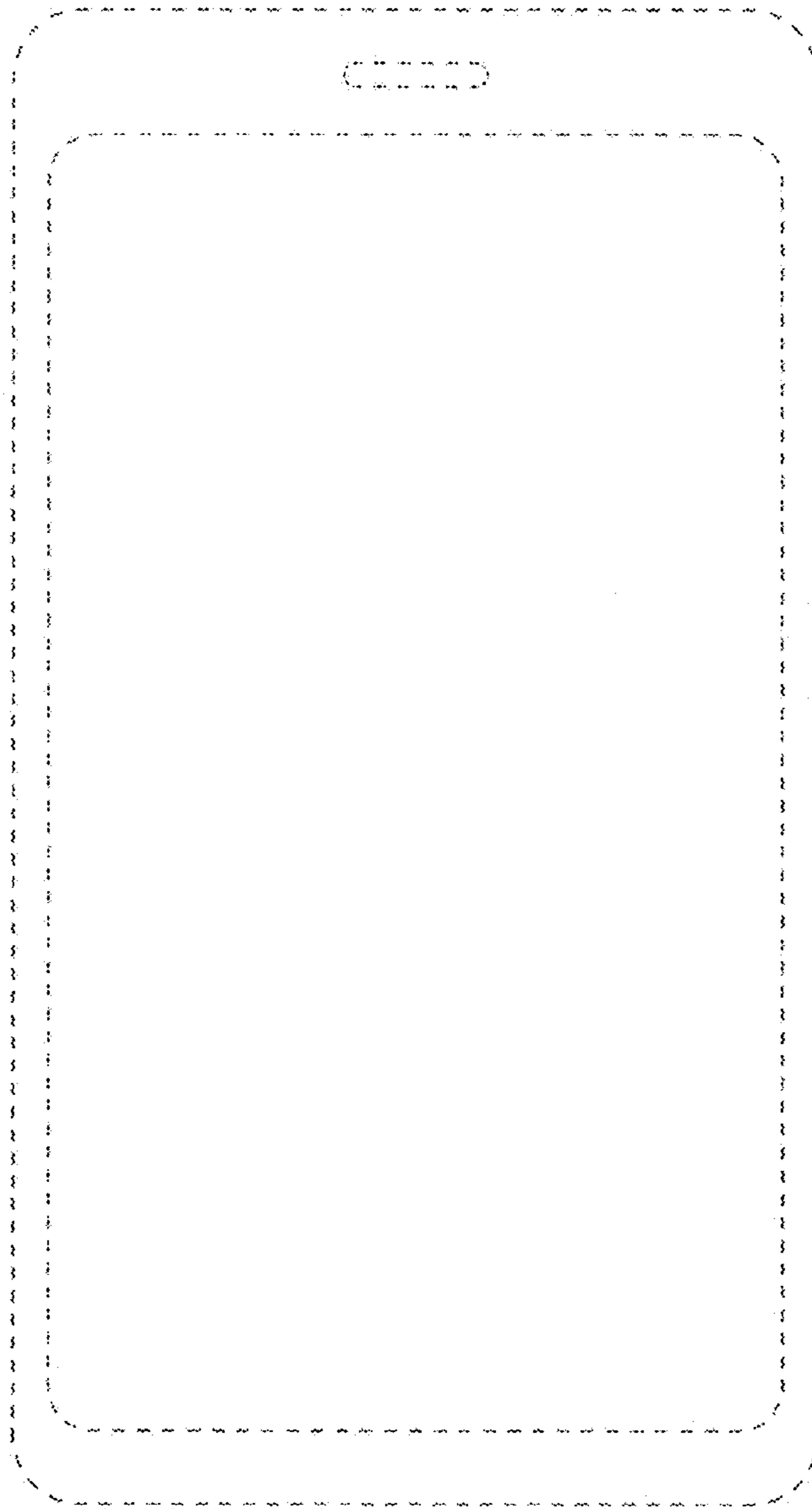
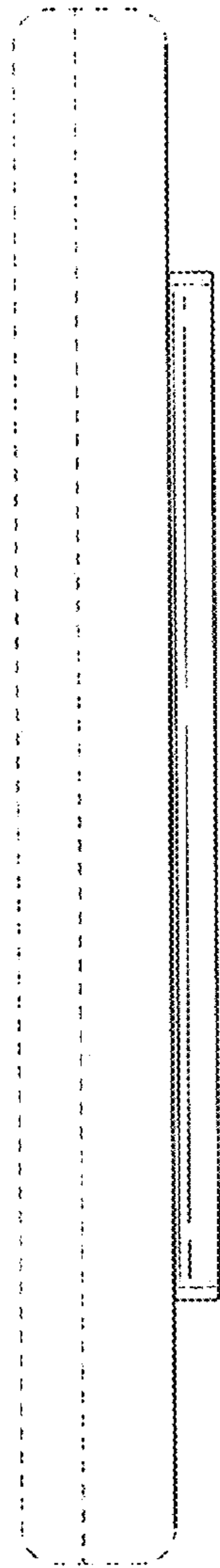


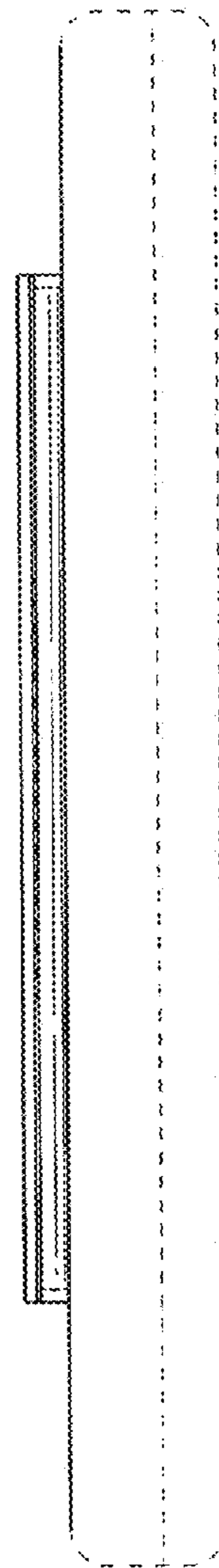
FIG. 2



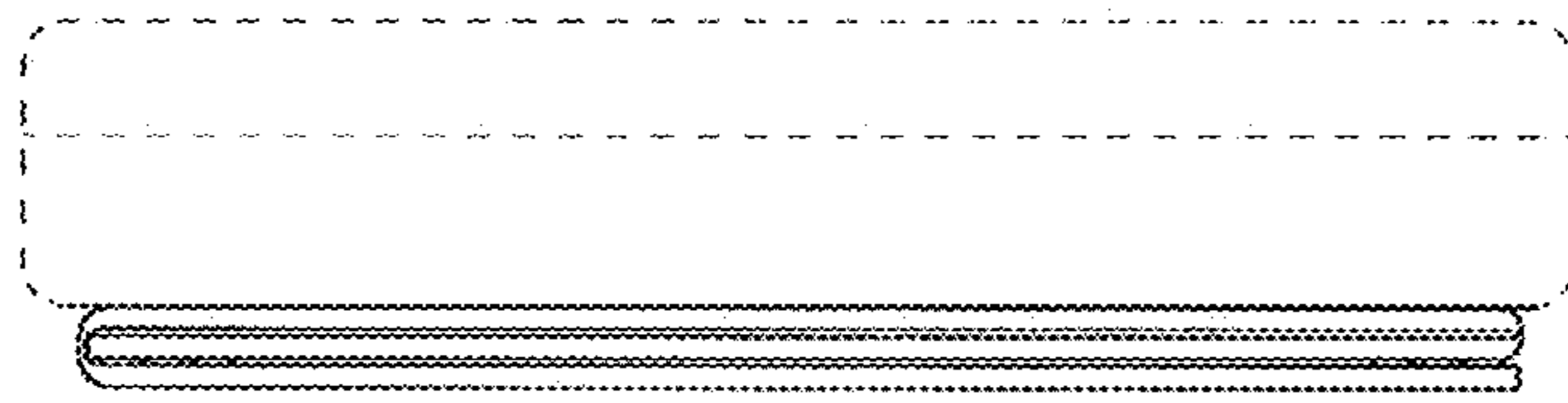
**FIG. 3**



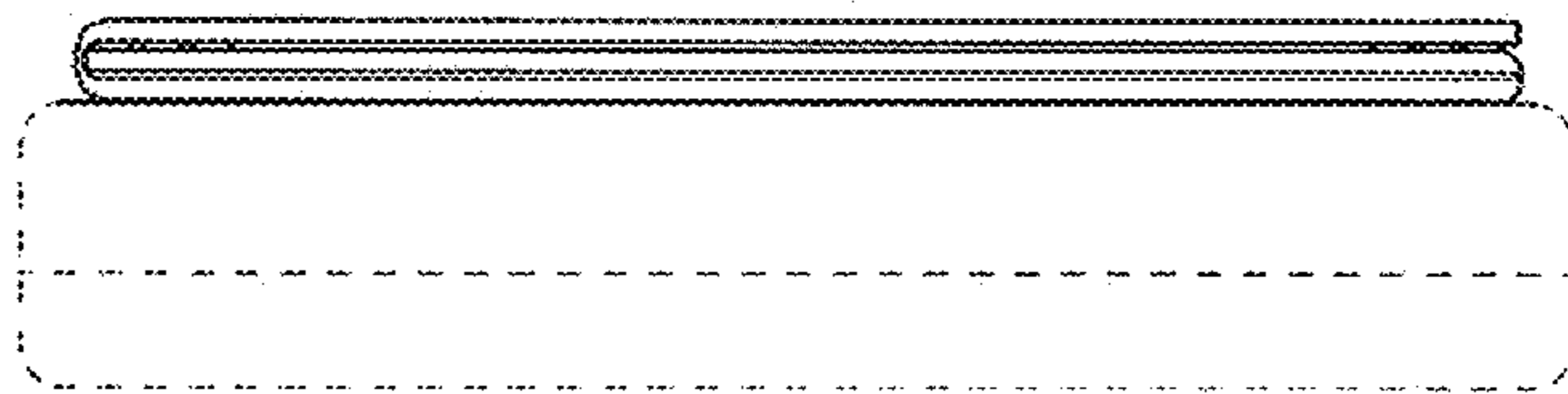
**FIG. 4**



**FIG. 5**



**FIG. 6**



**FIG. 7**

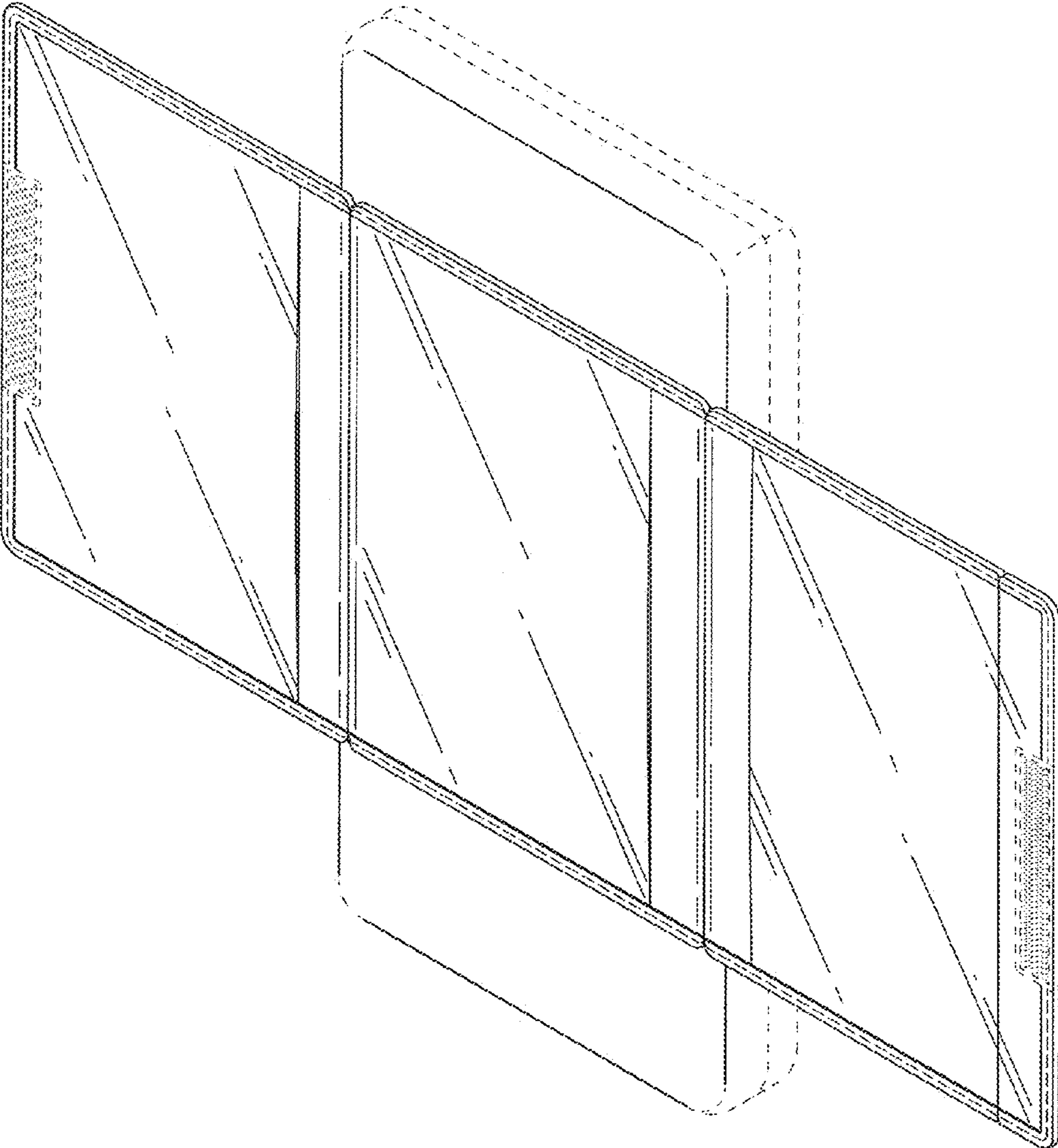


FIG. 8



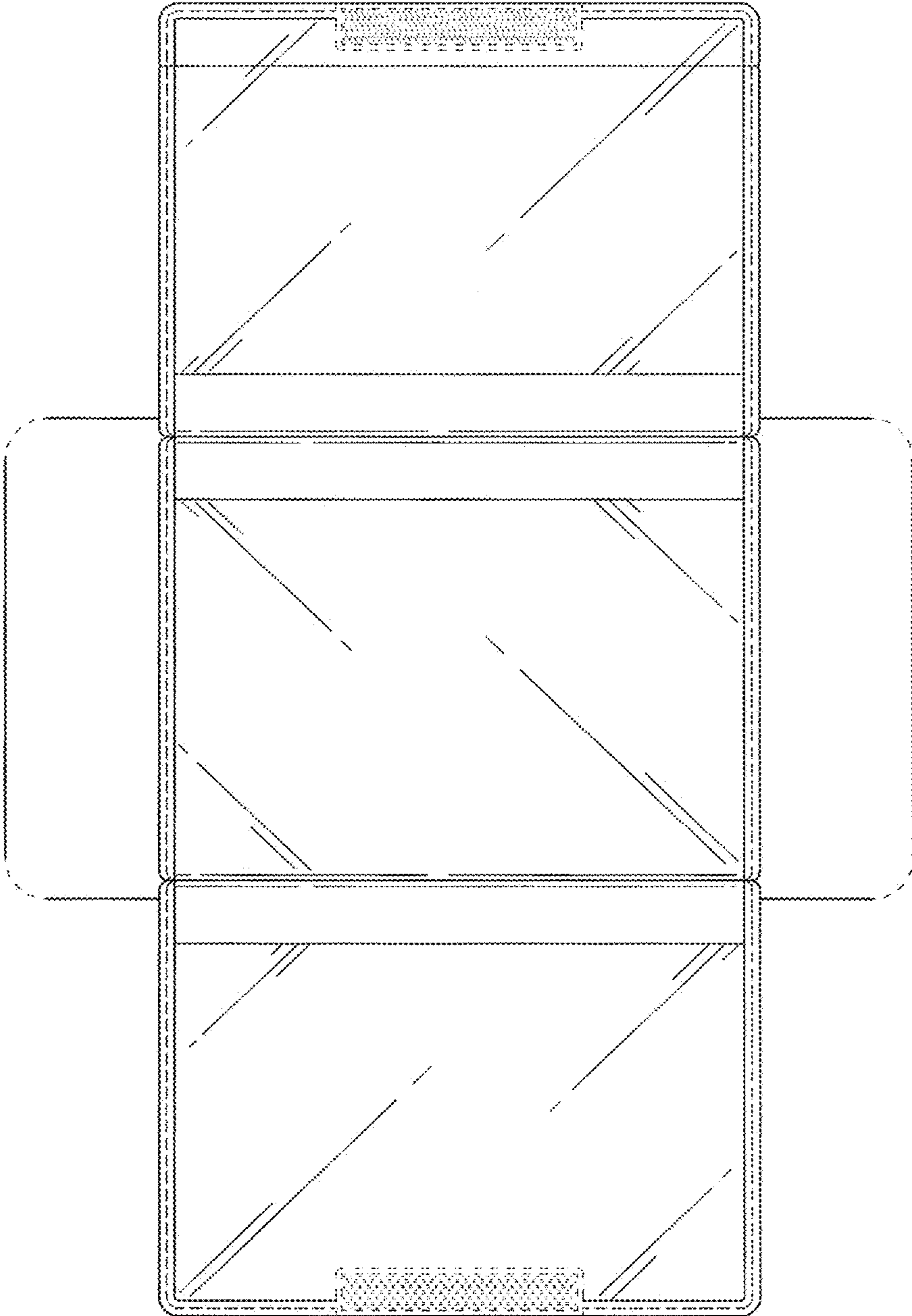


FIG. 9

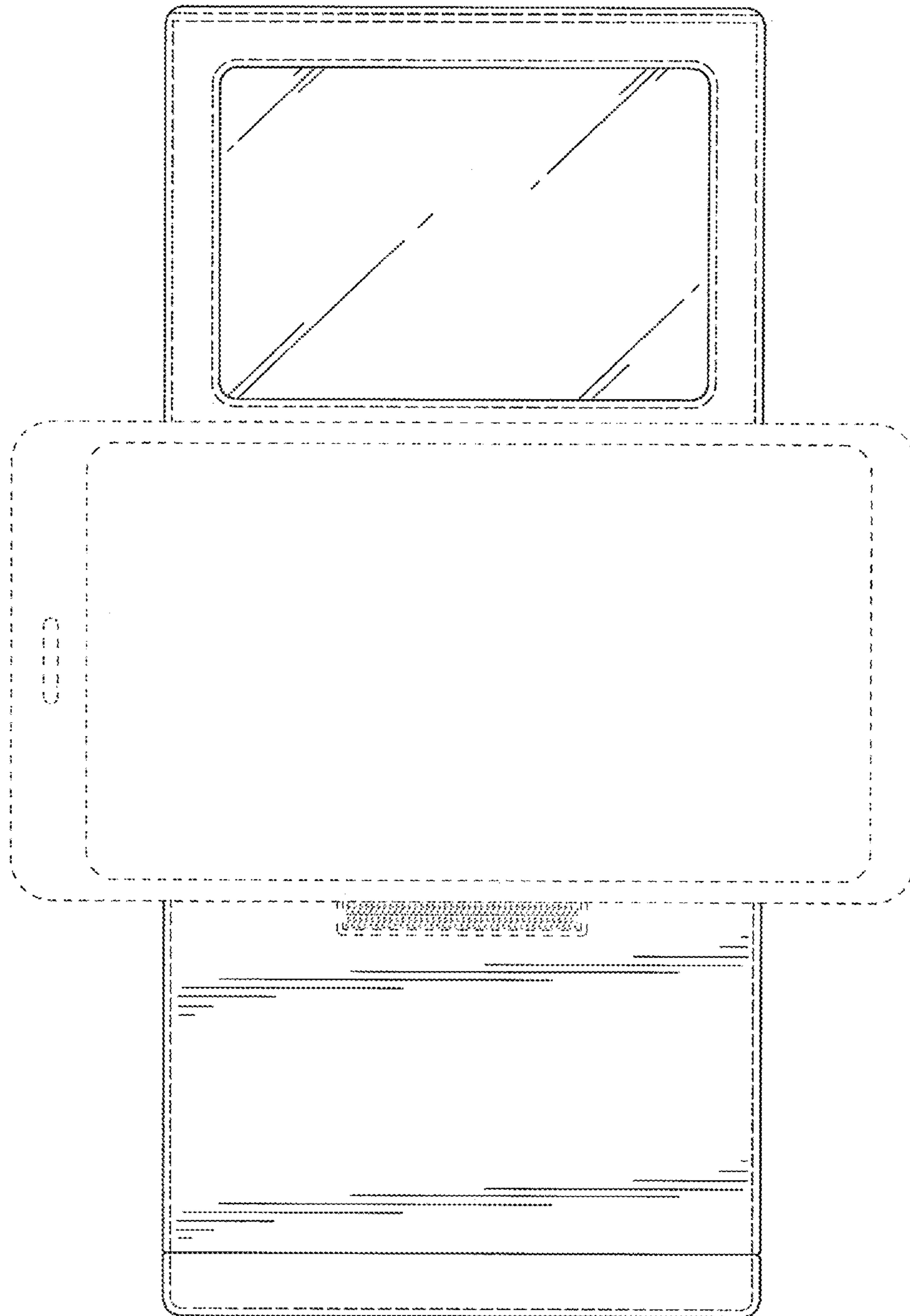
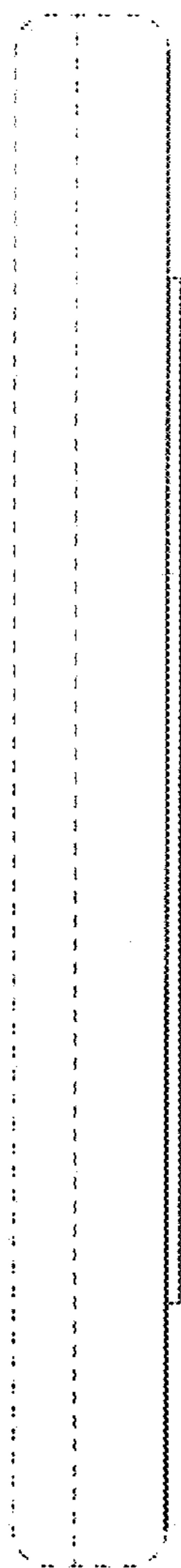
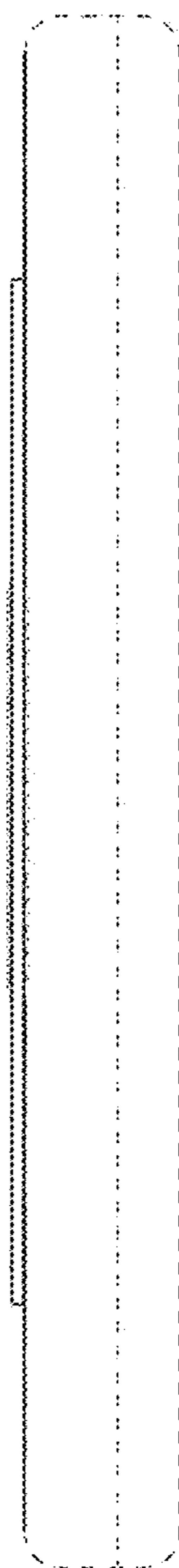


FIG. 10



**FIG. 11**



**FIG. 12**

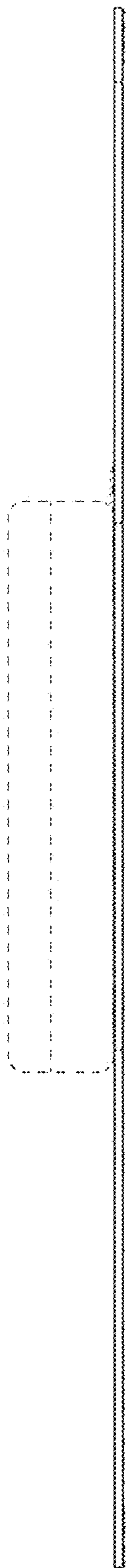


FIG. 13

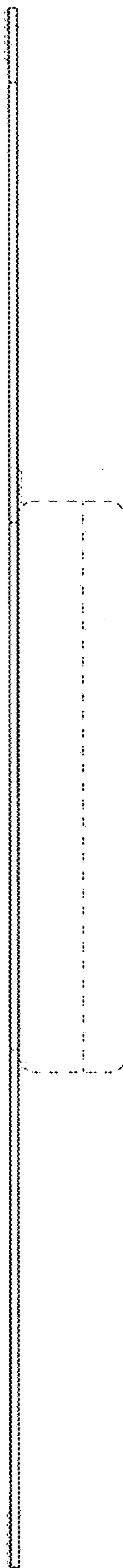


FIG. 14

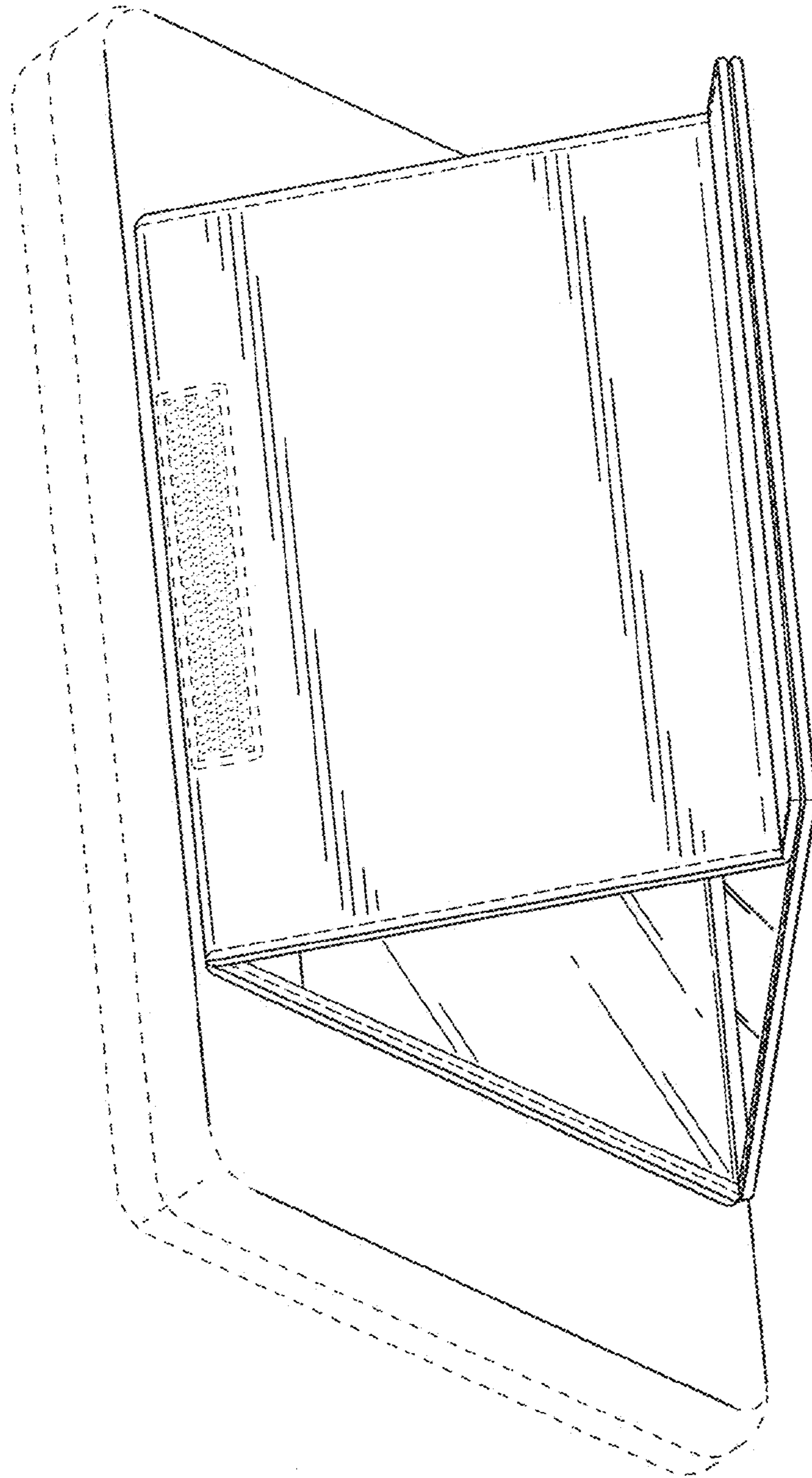


FIG. 15

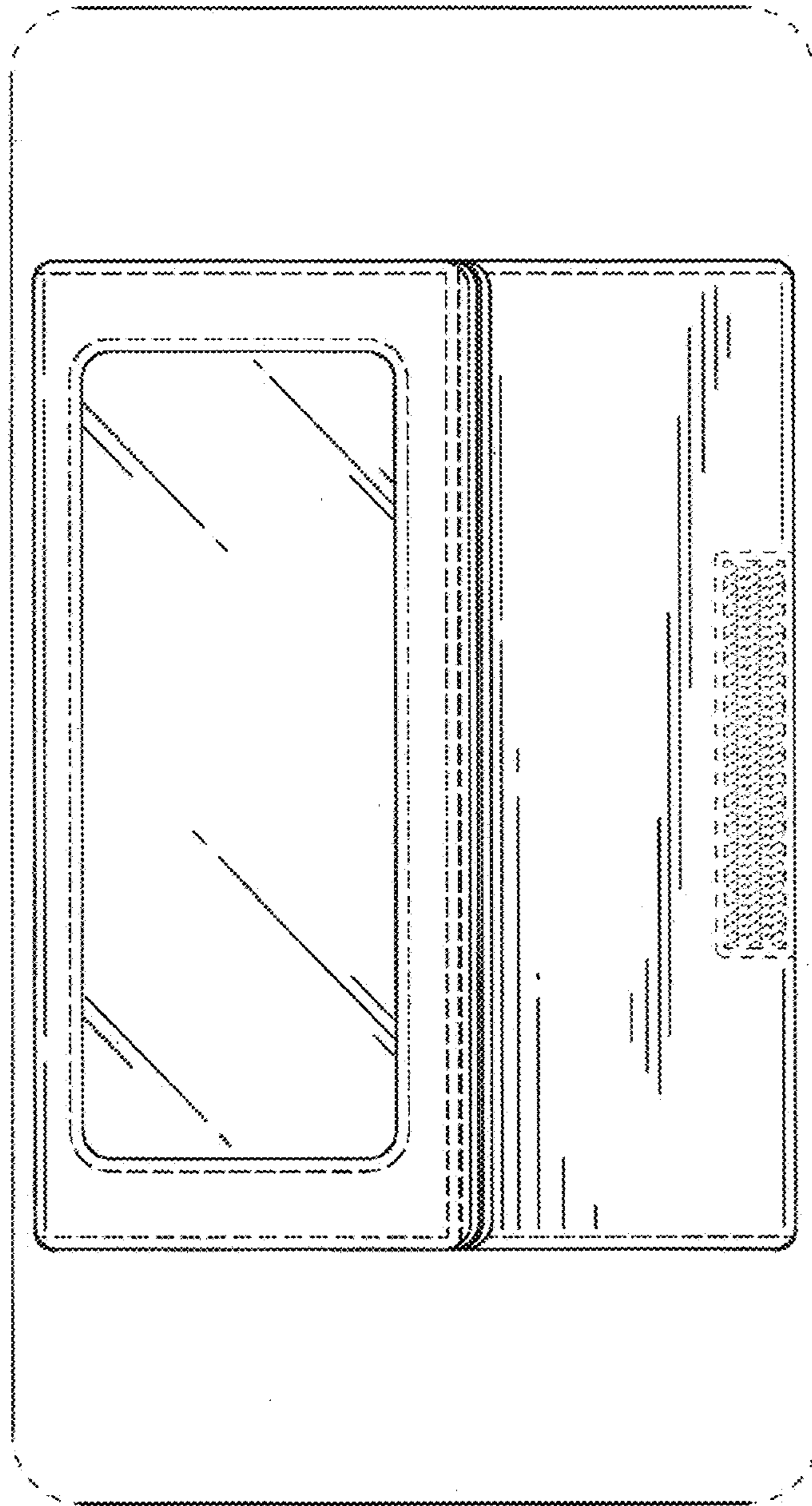
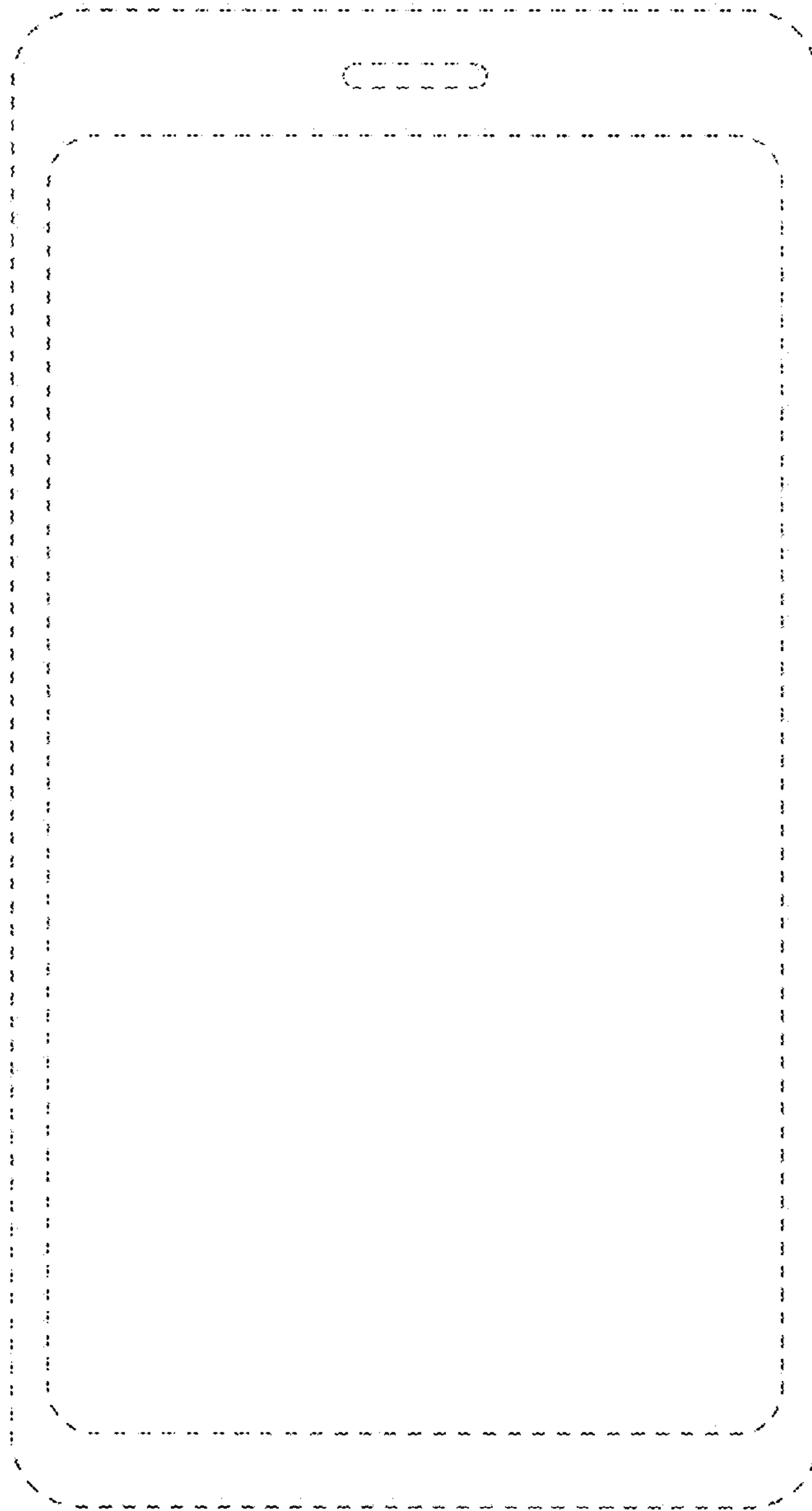


FIG. 16



**FIG. 17**

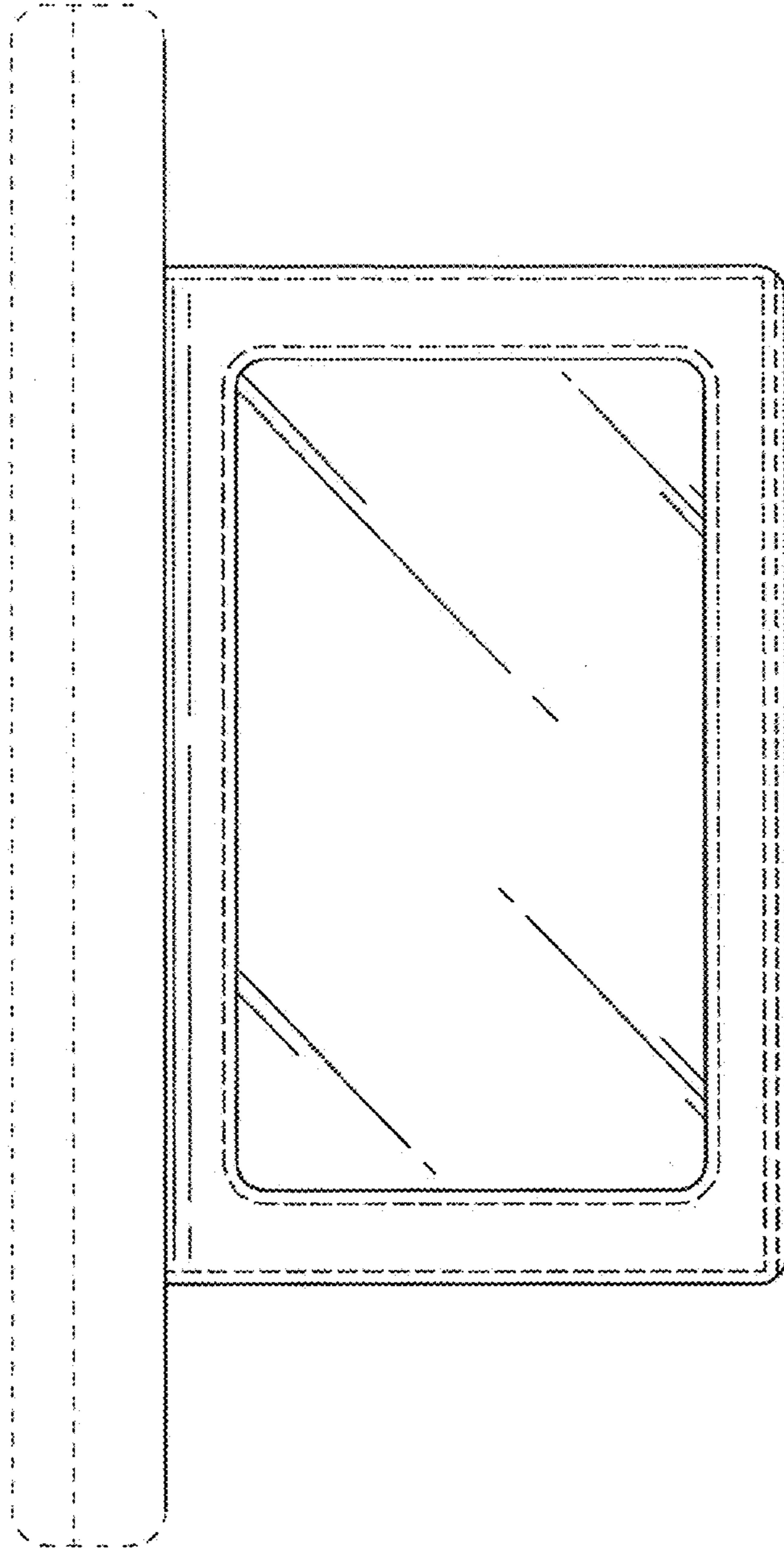
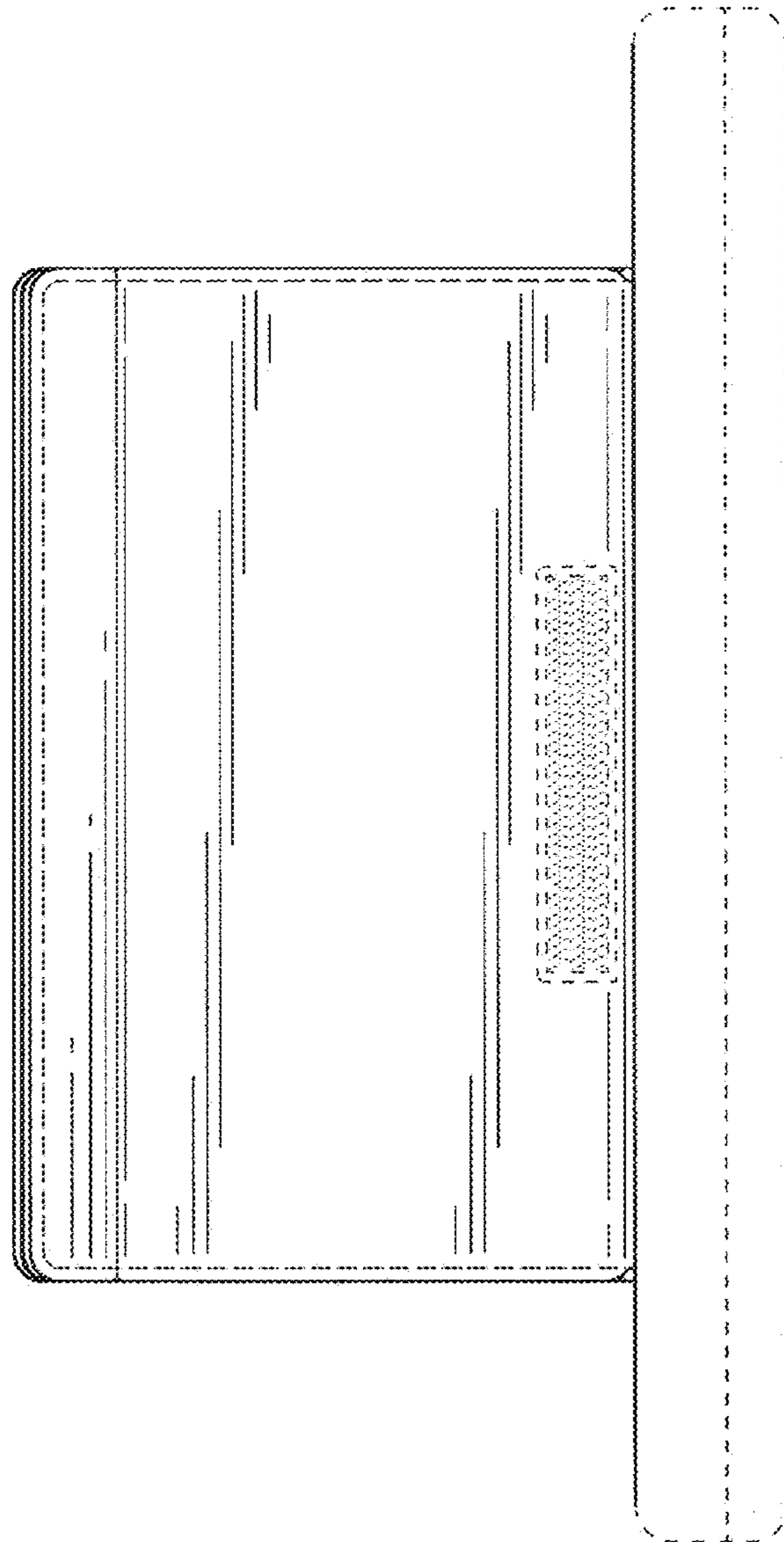
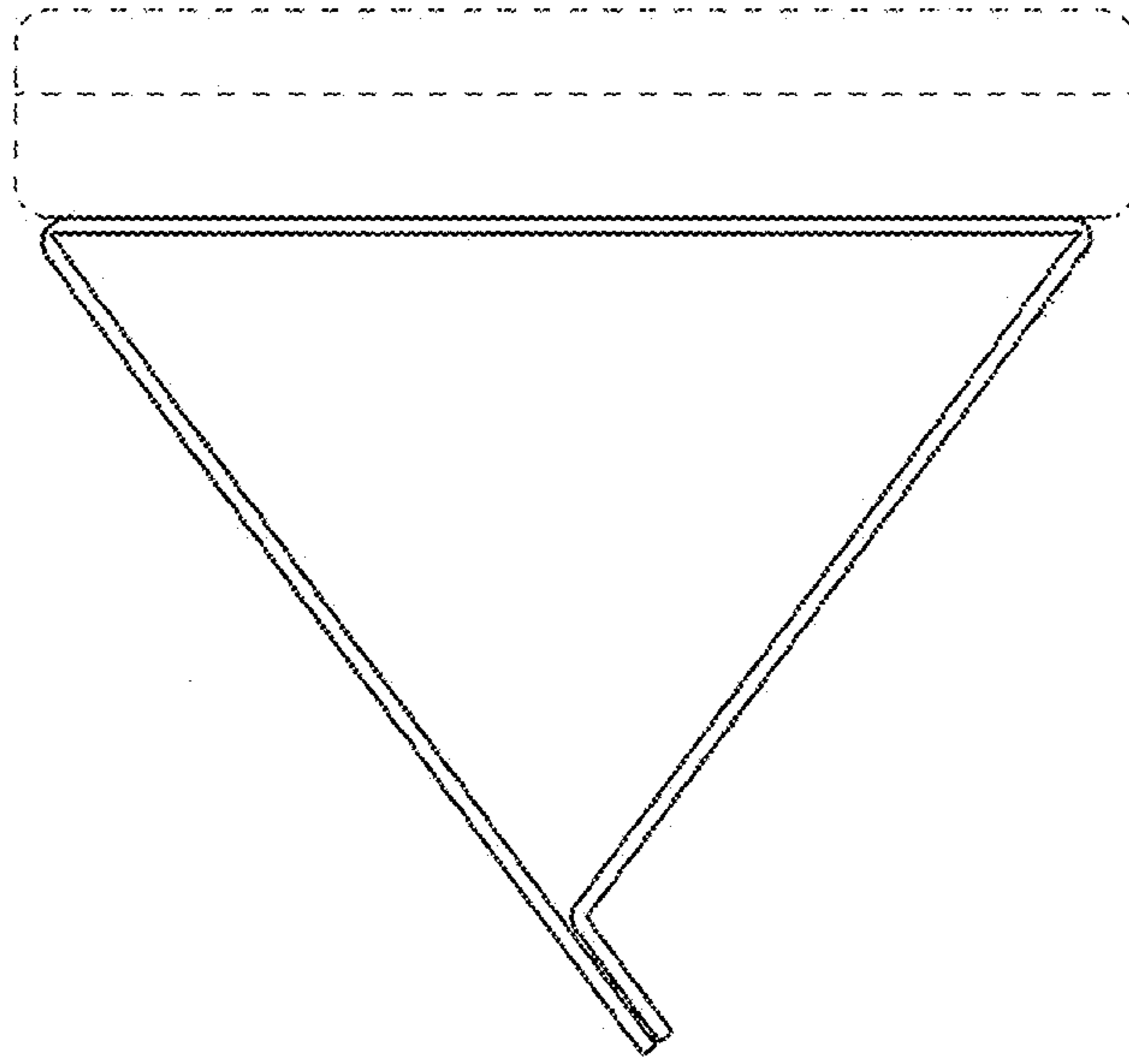


FIG. 18

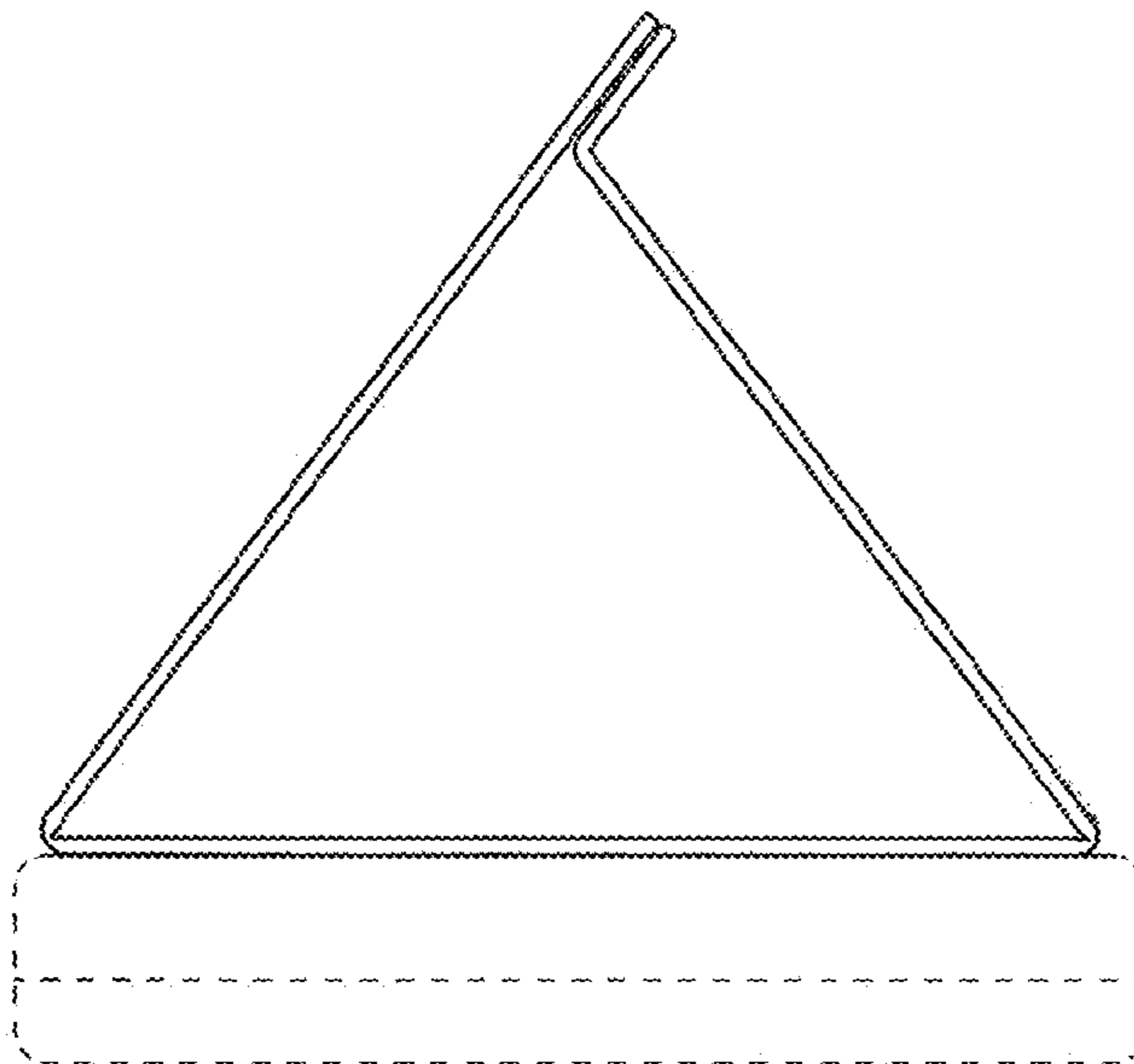




**FIG. 19**



**FIG. 20**



**FIG. 21**

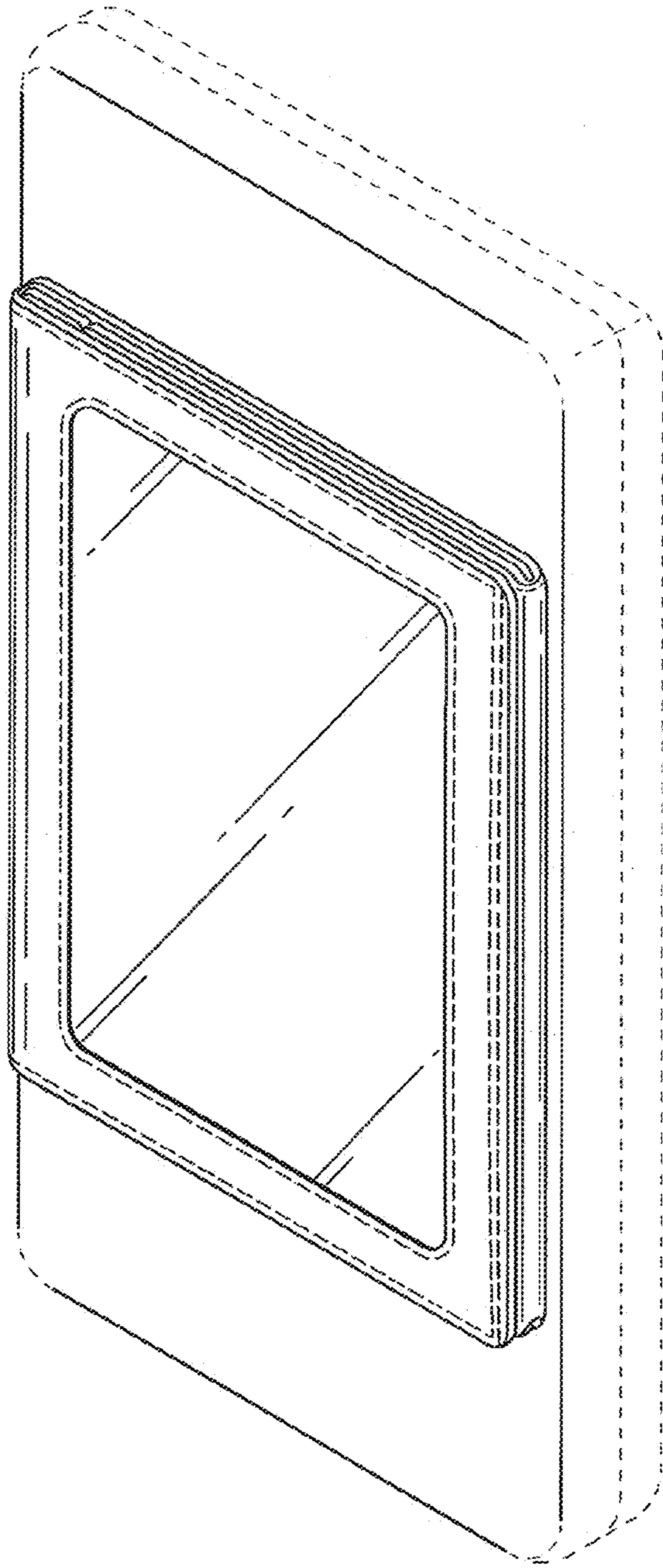


FIG. 22

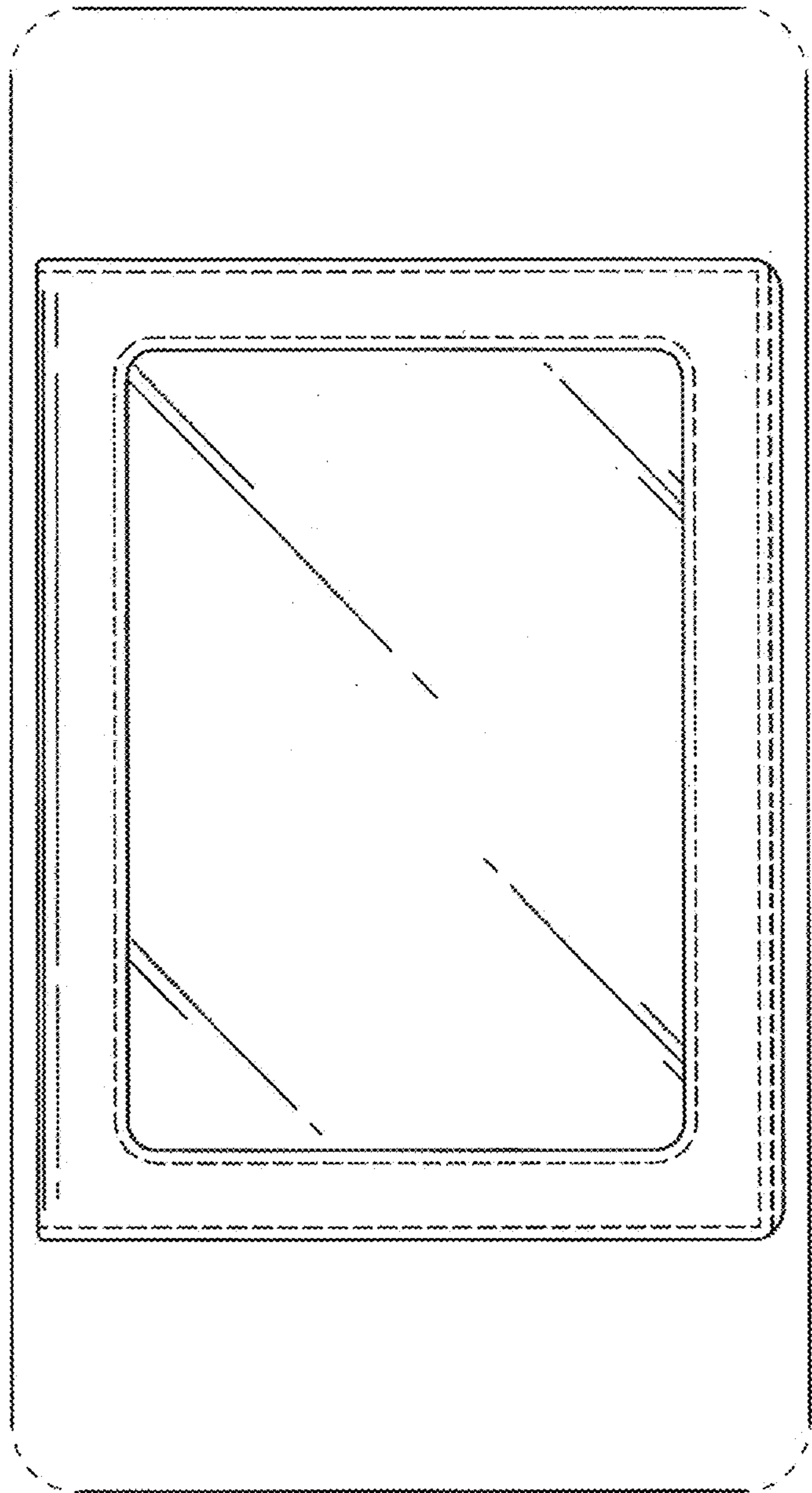


FIG. 23

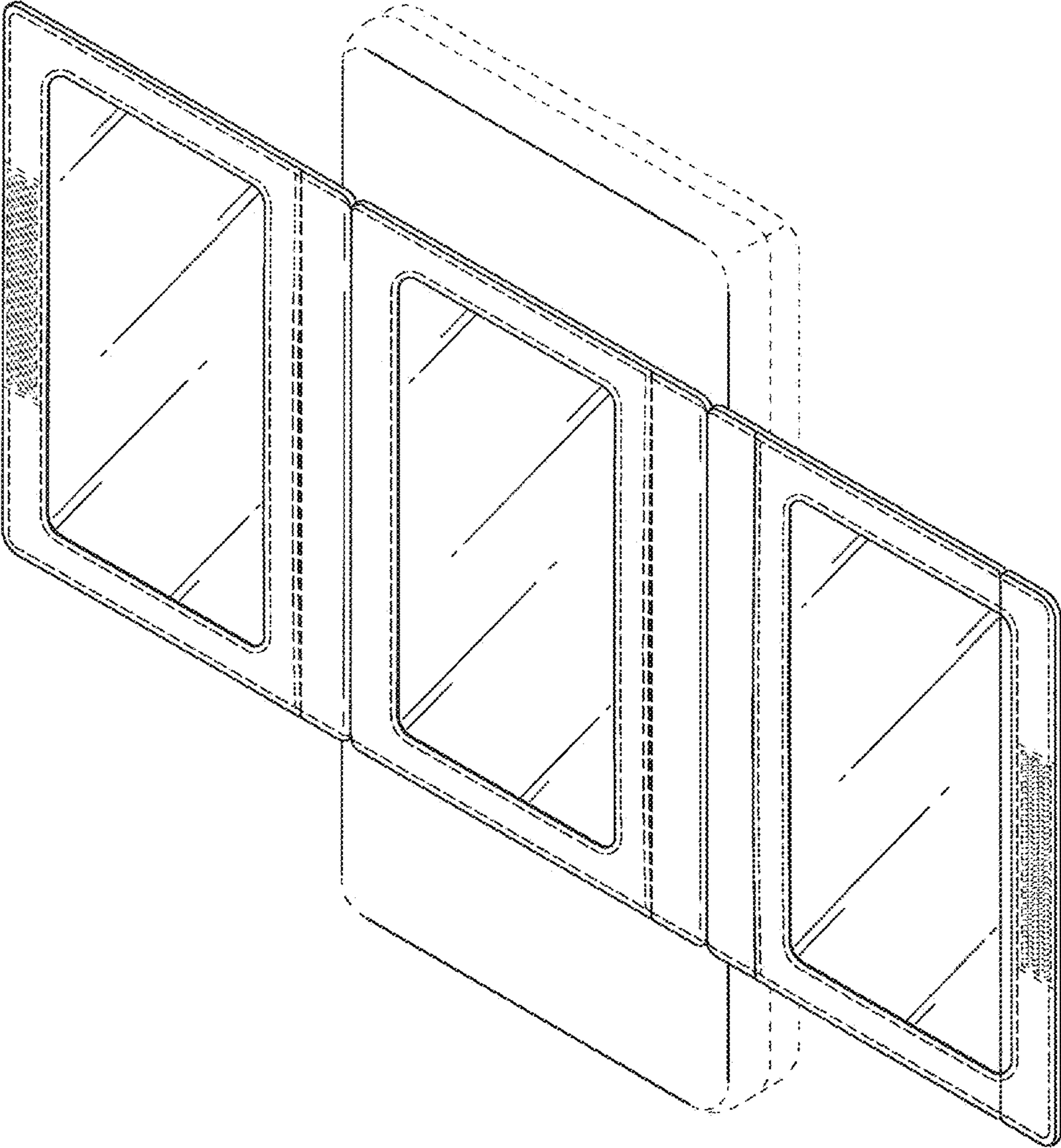


FIG. 24

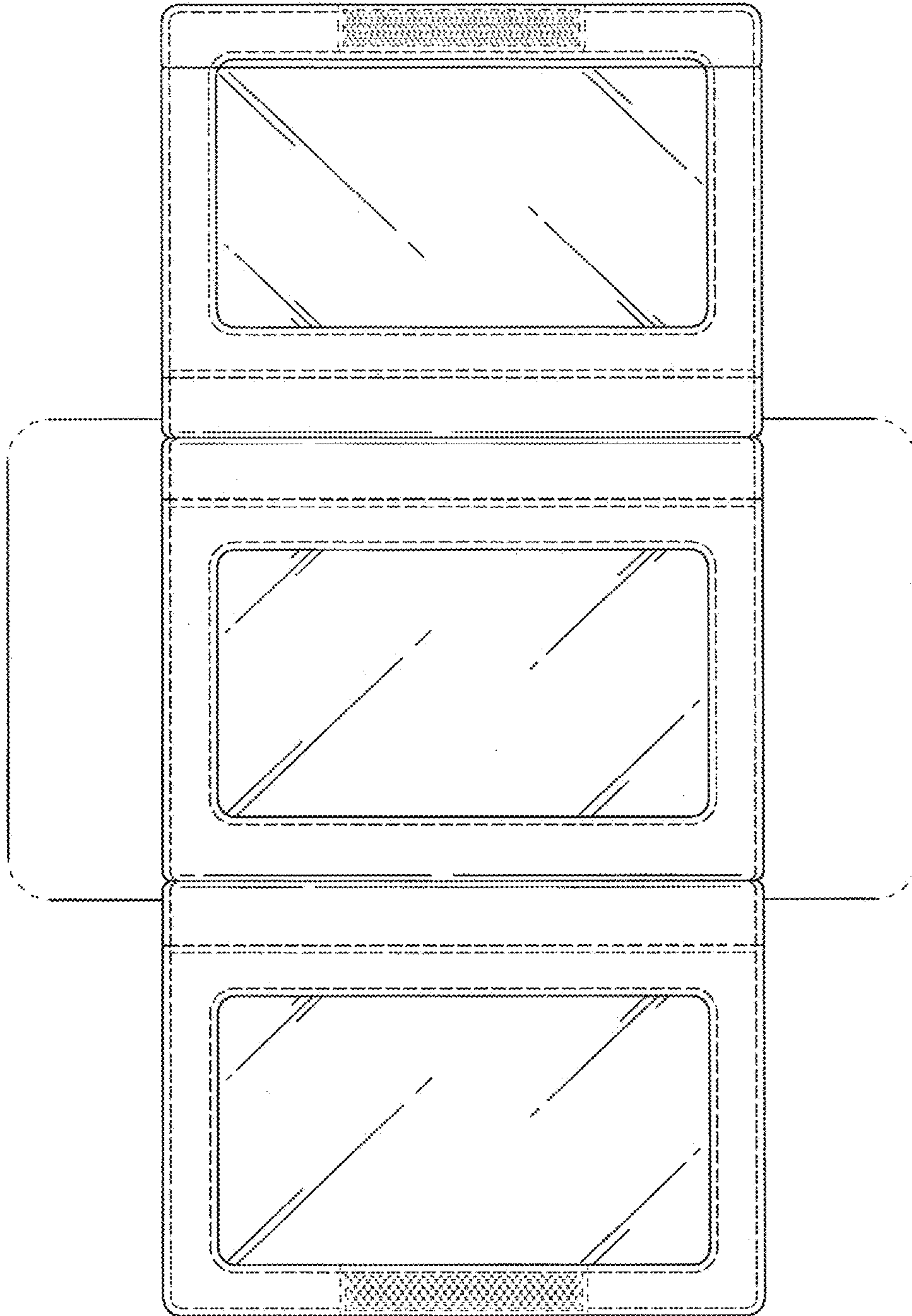


FIG. 25

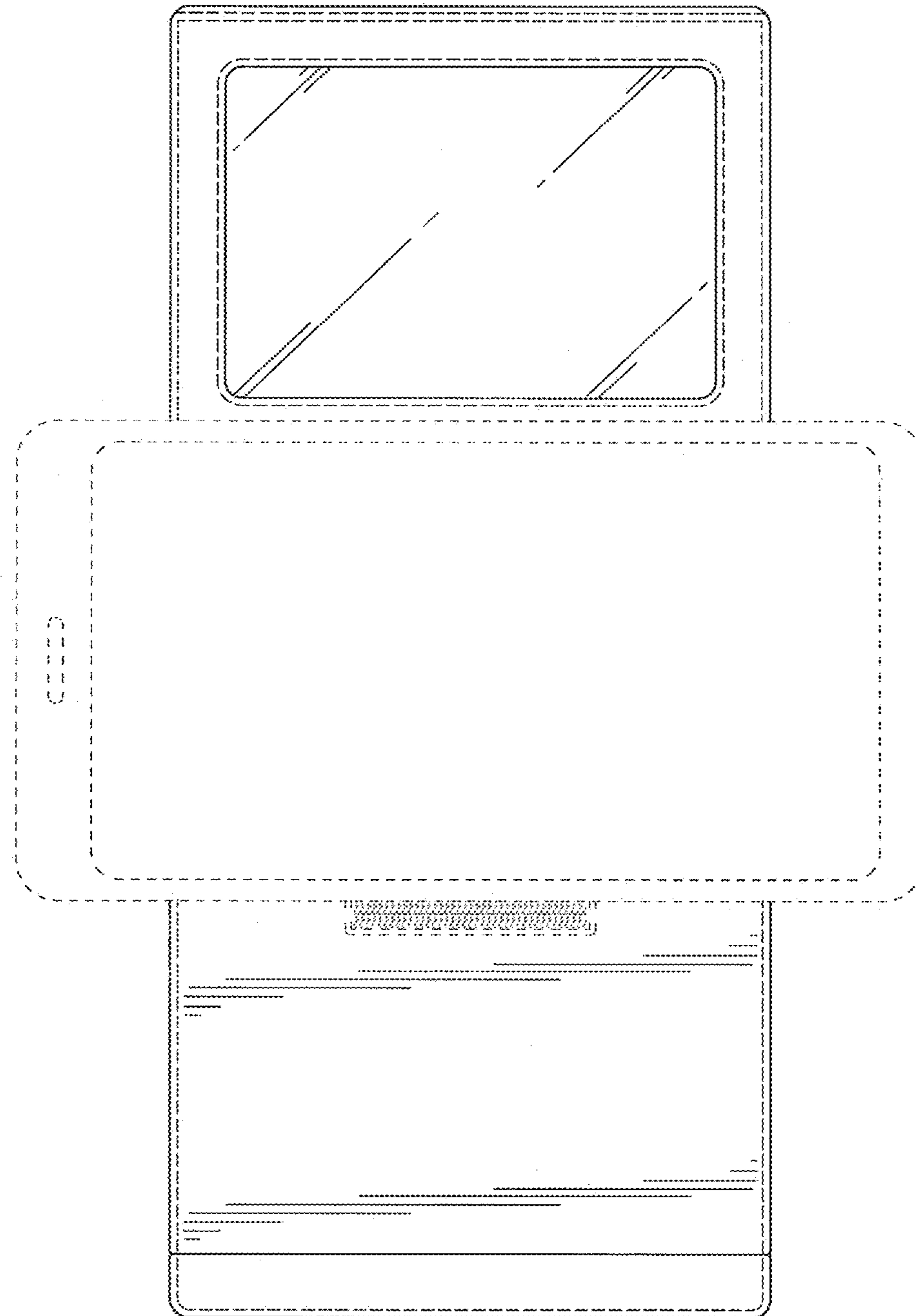


FIG. 26

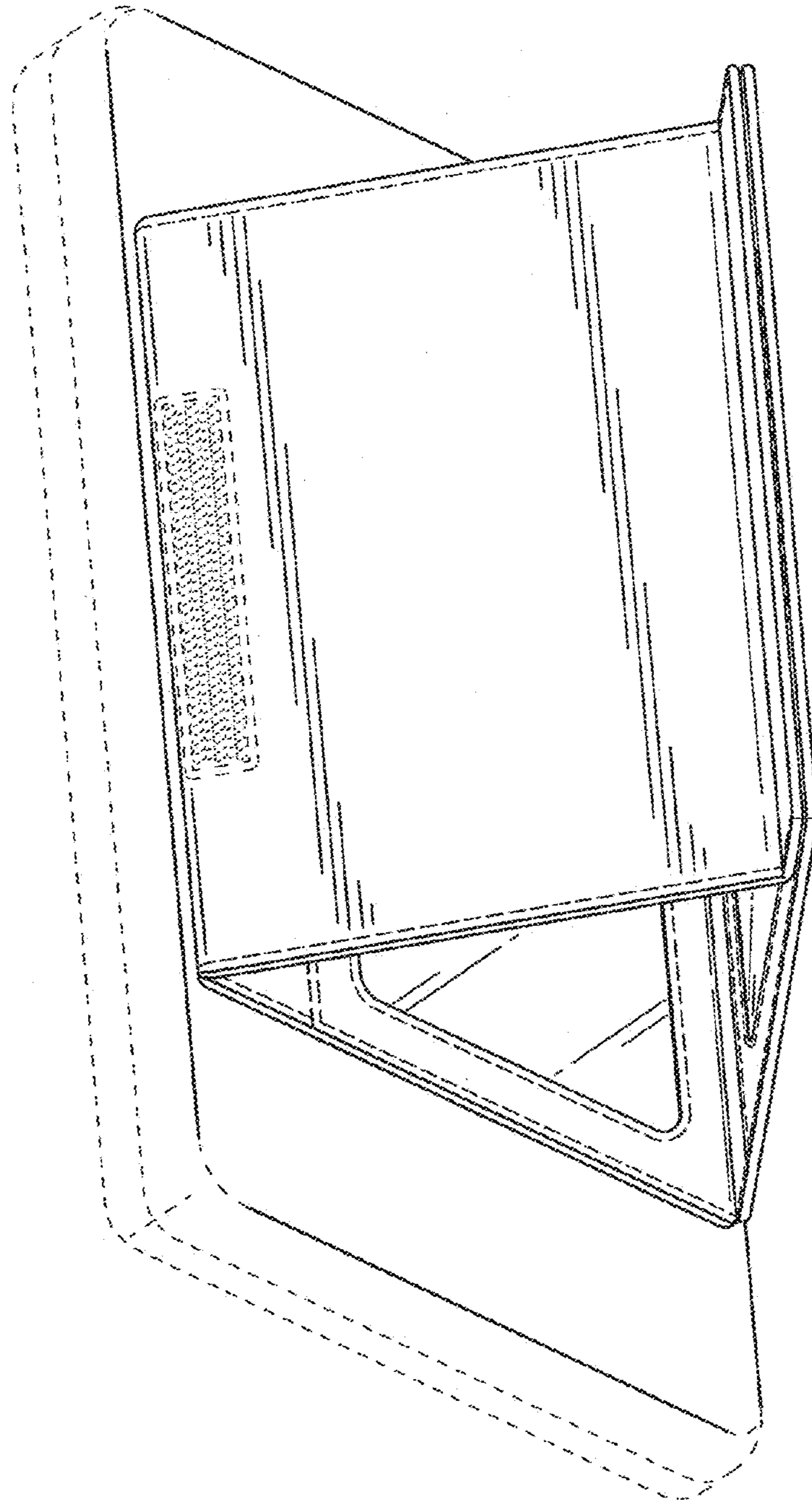


FIG. 27