

US00D756640S

(12) **United States Design Patent**
Dumas

(10) **Patent No.:** **US D756,640 S**
(45) **Date of Patent:** **** May 24, 2016**

- (54) **HANDBAG**
- (71) Applicant: **Hermes Sellier (Societe Par Actions Simplifree)**, Paris (FR)
- (72) Inventor: **Pierre-Alexis Dumas**, Paris (FR)
- (73) Assignee: **Hermes Sellier (Societe Par Actions Simplifree)**, Paris (FR)

- D420,508 S 2/2000 Kohlhase
- D543,356 S * 5/2007 Gonzalez D3/247
- D569,100 S * 5/2008 Stulman D3/232
- D572,468 S * 7/2008 Nair D3/232
- D577,910 S * 10/2008 Hollinger D3/247
- D602,248 S * 10/2009 Wilson D3/232
- D644,024 S 8/2011 Jobert

(Continued)

(**) Term: **14 Years**

Office Action dated Sep. 21, 2015, received in co-pending U.S. Appl. No. 29/499,659.

(21) Appl. No.: **29/499,666**

(Continued)

(22) Filed: **Aug. 18, 2014**

Primary Examiner — Robert M Spear
Assistant Examiner — Eliza Bennett-Hattan

(30) **Foreign Application Priority Data**

(74) *Attorney, Agent, or Firm* — Foley & Lardner LLP

Feb. 25, 2014 (WO) DM/082 978

(51) **LOC (10) Cl.** **03-01**

(52) **U.S. Cl.**
USPC **D3/247**

(58) **Field of Classification Search**
USPC D3/218, 227, 232–233, 239, 240–243,
D3/245, 289, 301, 303, 318, 323, 327, 328,
D3/900; D8/97, 107, 300, 303, 313, 314,
D8/321; D15/5, 18
CPC Y10T 24/2586; Y10T 24/2589; Y10T
24/257; Y10T 24/25; A44B 19/262; A44B
19/26; A44B 19/00; A41F 1/008; A41D
2300/322; A45C 11/324

See application file for complete search history.

(56) **References Cited**

U.S. PATENT DOCUMENTS

- D39,937 S 4/1909 Isadore
- D55,852 S 7/1920 Fisher
- D126,995 S 5/1941 Wright
- D142,852 S 11/1945 Glick
- D230,660 S 3/1974 Hayes
- D254,877 S 5/1980 Woods

OTHER PUBLICATIONS

(Continued)

(57) **CLAIM**

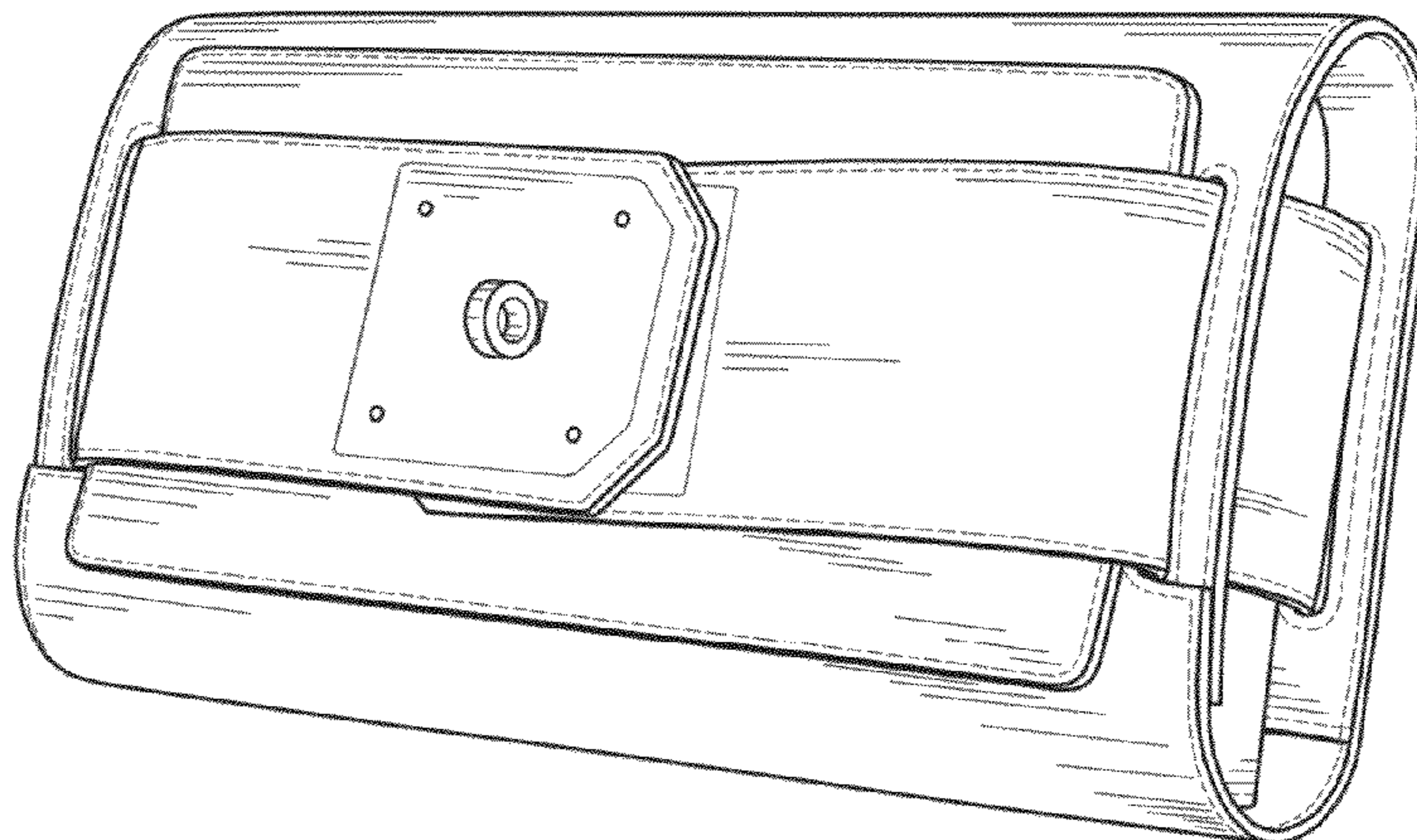
I claim the ornamental design for a handbag, as shown and described.

DESCRIPTION

FIG. 1 is a front elevational view of a handbag of the claimed design;
FIG. 2 is a rear elevational view of the handbag shown in FIG. 1;
FIG. 3 is a right side elevational view of the handbag shown in FIG. 1;
FIG. 4 is a left side elevational view of the handbag shown in FIG. 1;
FIG. 5 is a top plan view of the handbag shown in FIG. 1;
FIG. 6 is a bottom plan view of the handbag shown in FIG. 1;
and,
FIG. 7 is a front perspective view of the handbag shown in FIG. 1.

The claimed design is shown in solid lines in the figures. The dashed broken lines in the figures represent stitching and are part of the claimed design.

1 Claim, 7 Drawing Sheets



(56)

References Cited

OTHER PUBLICATIONS

U.S. PATENT DOCUMENTS

D656,726 S * 4/2012 Flores D3/232
D672,141 S 12/2012 Harbinson
D674,602 S 1/2013 Gerbi
D690,506 S * 10/2013 Kuster D3/232
D694,005 S 11/2013 Della Valle et al.
D703,430 S 4/2014 Della Valle et al.
D712,654 S 9/2014 Wang et al.
D714,048 S * 9/2014 Wang D3/232
D728,929 S 5/2015 Dumas

Office Action dated Sep. 29, 2015, received in co-pending U.S. Appl. No. 29/500,089.
Notice of Allowance and Issue Fee(s) Due dated Feb. 4, 2016, in Design U.S. Appl. No. 29/499,659.
Notice of Allowance and Issue Fee(s) Due dated Jan. 20, 2016, in U.S. Appl. No. 29/500,089.

* cited by examiner

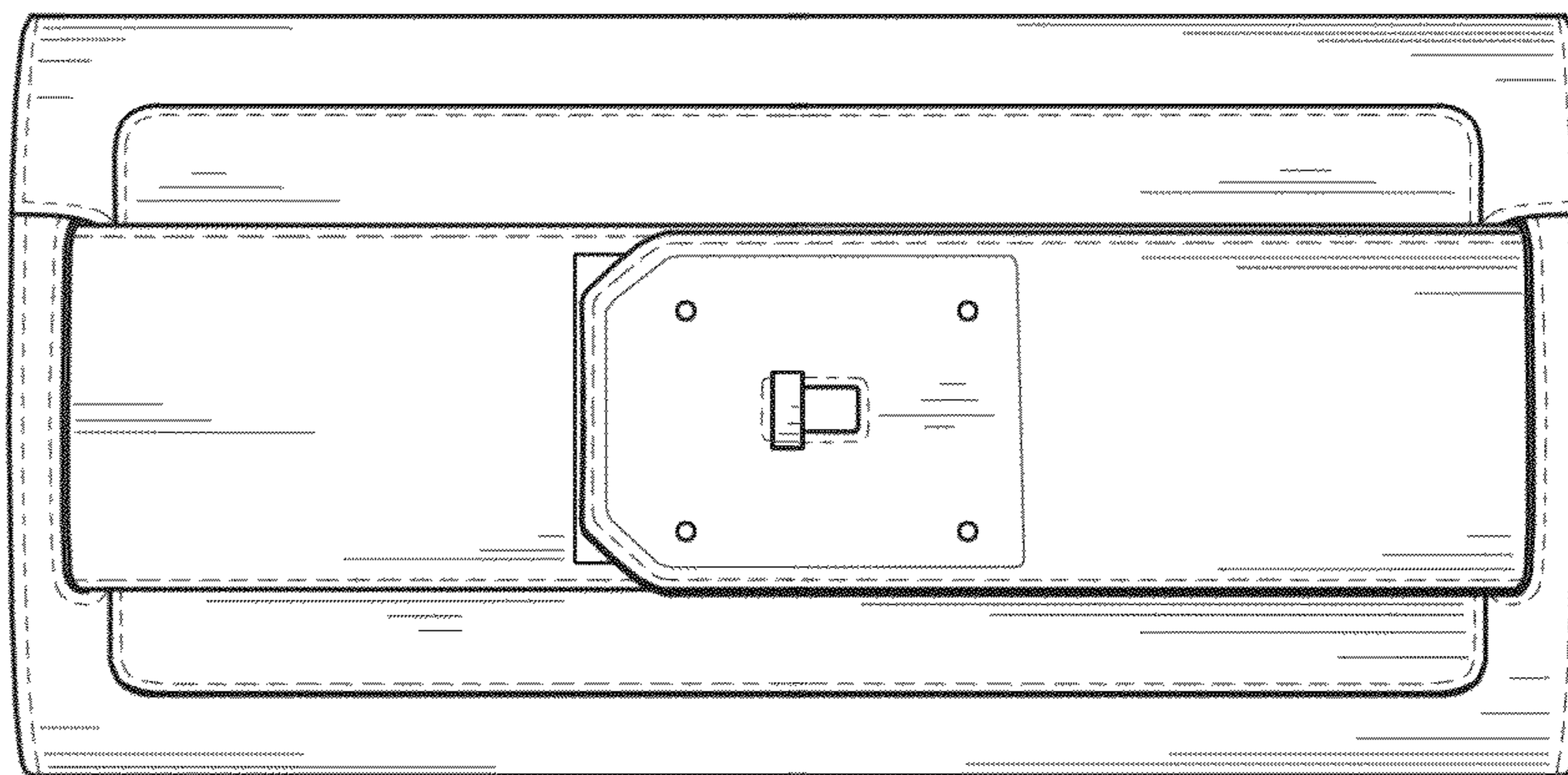


FIG. 1

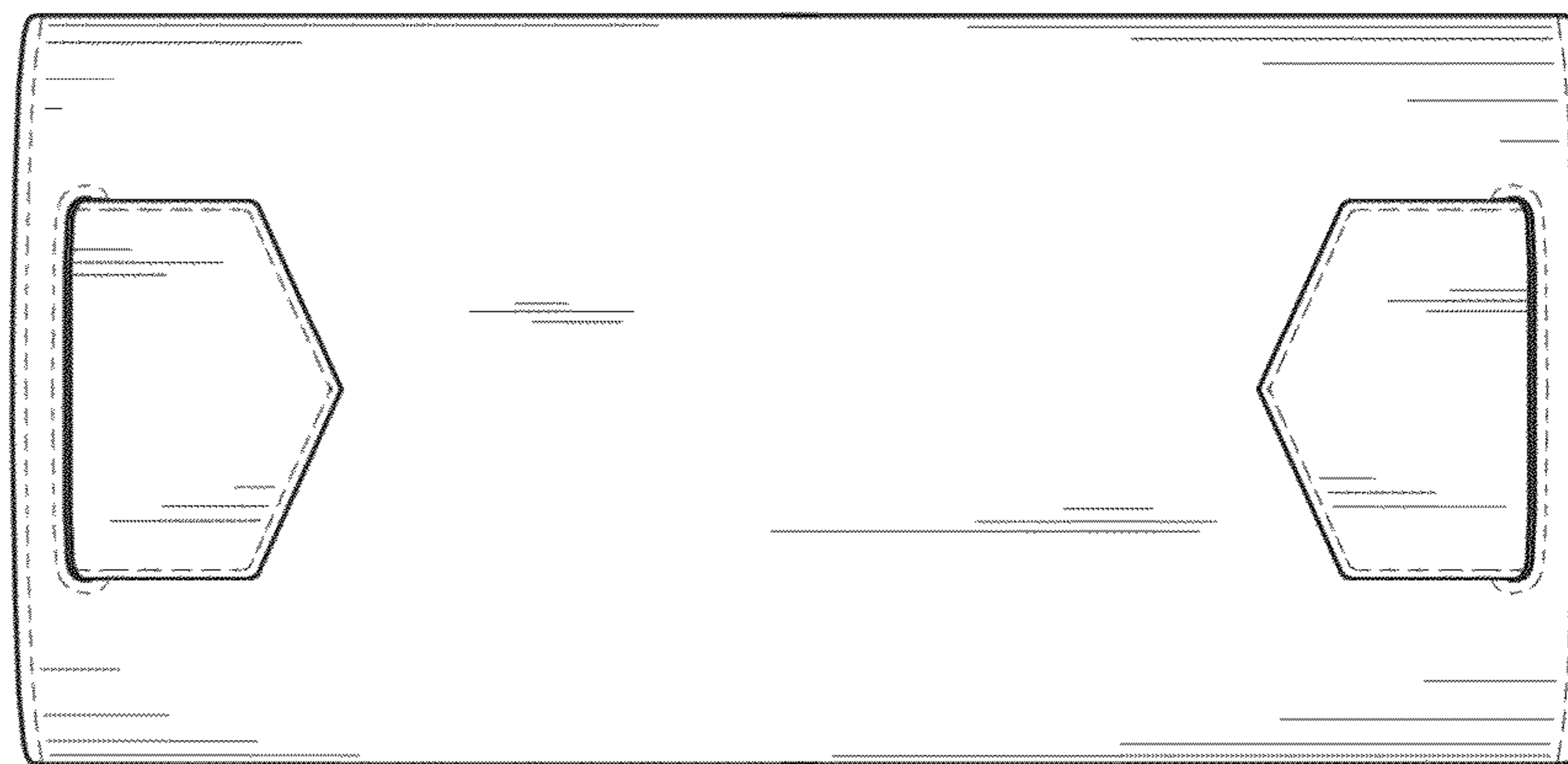


FIG. 2

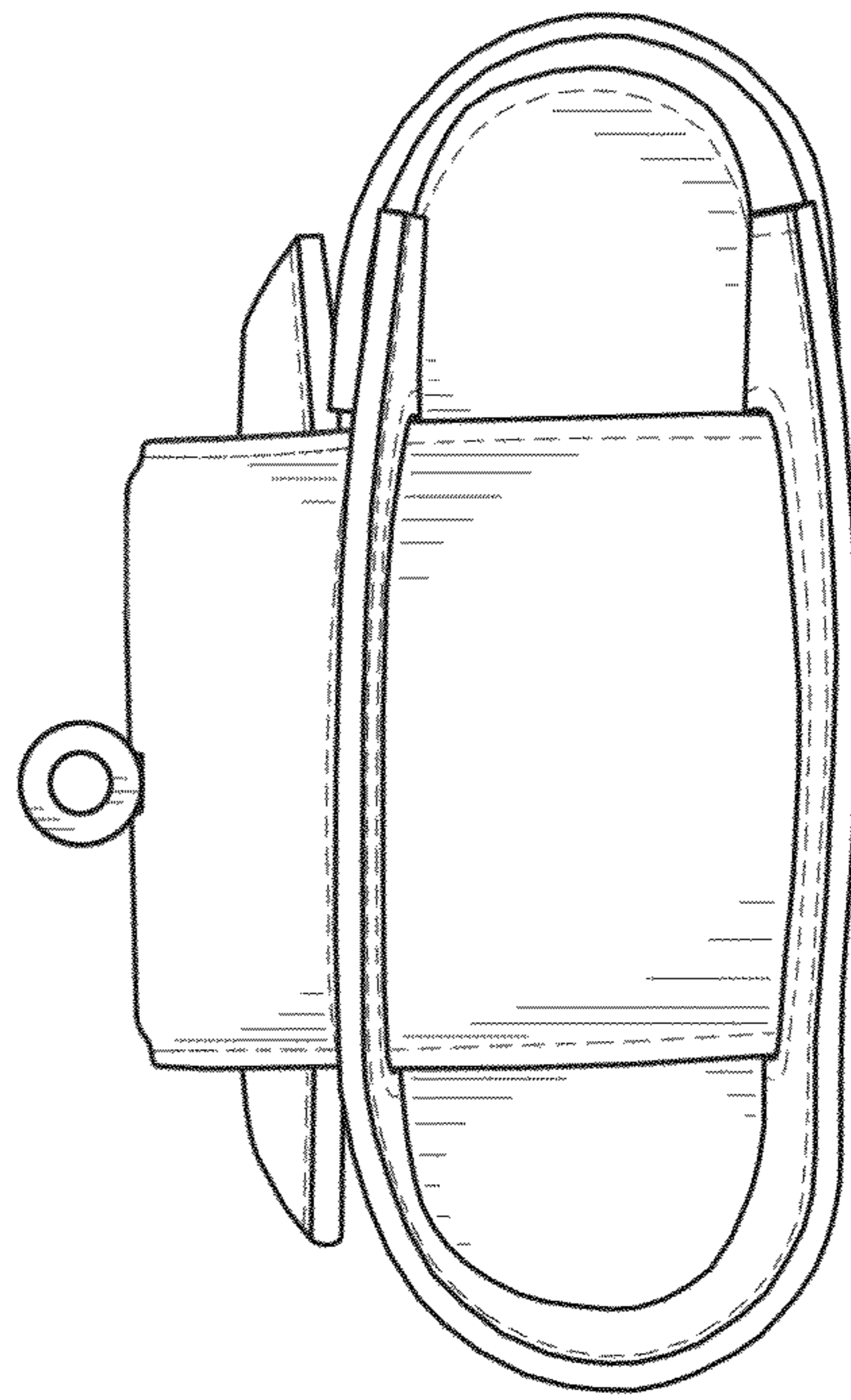


FIG. 3

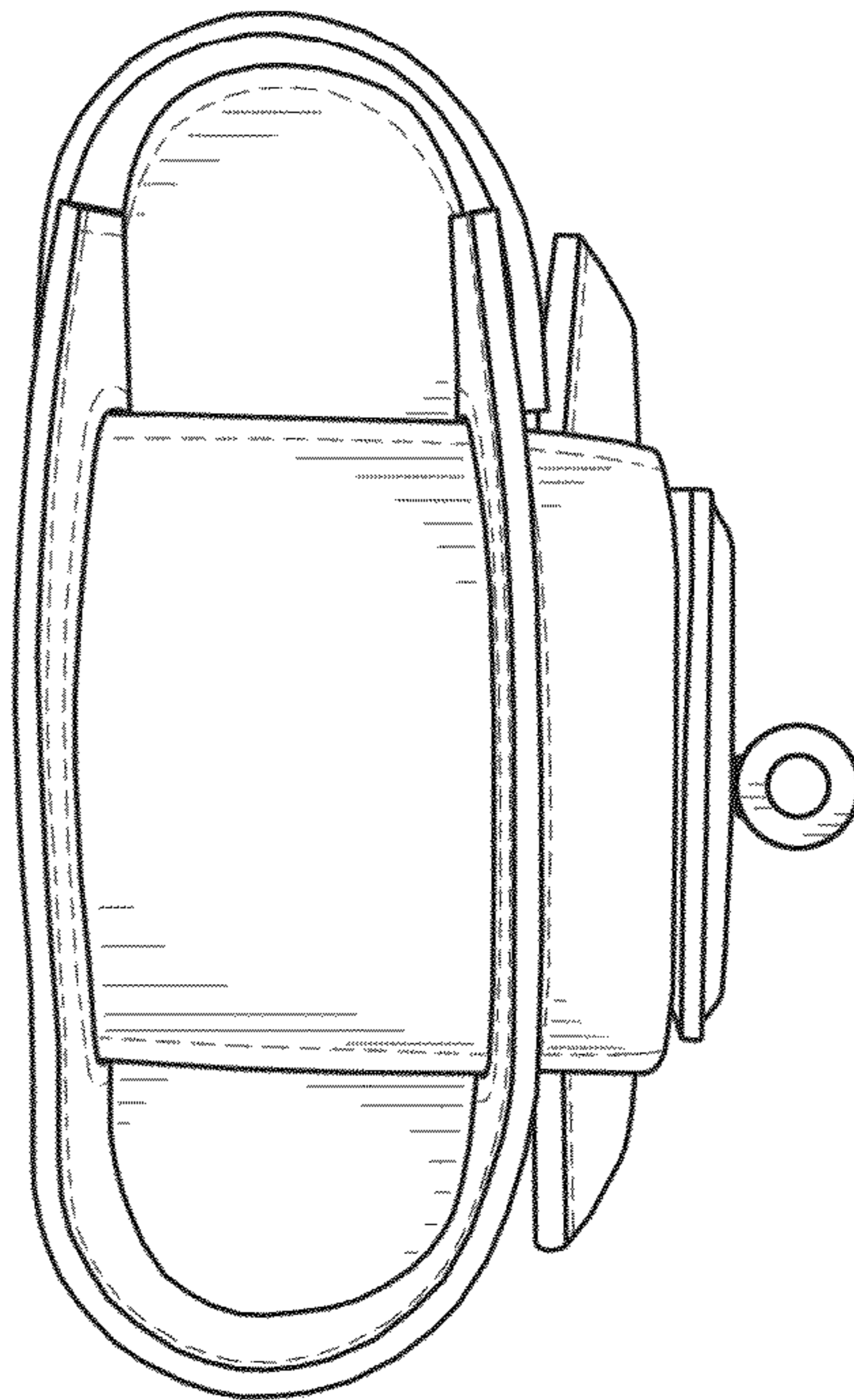


FIG. 4

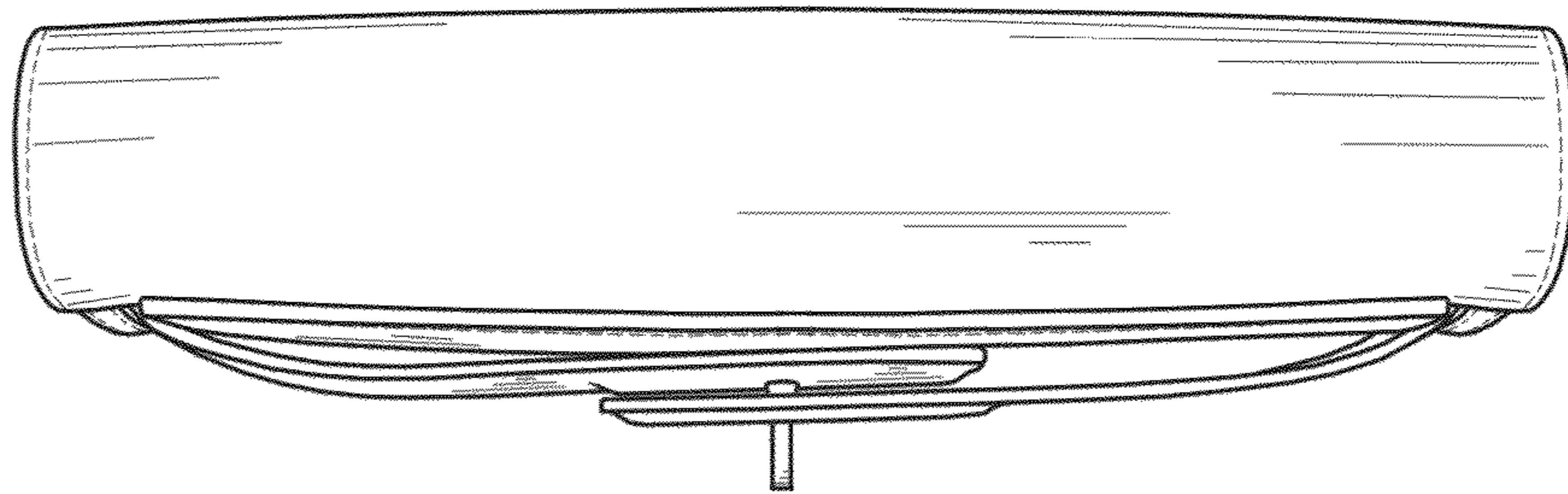


FIG. 5

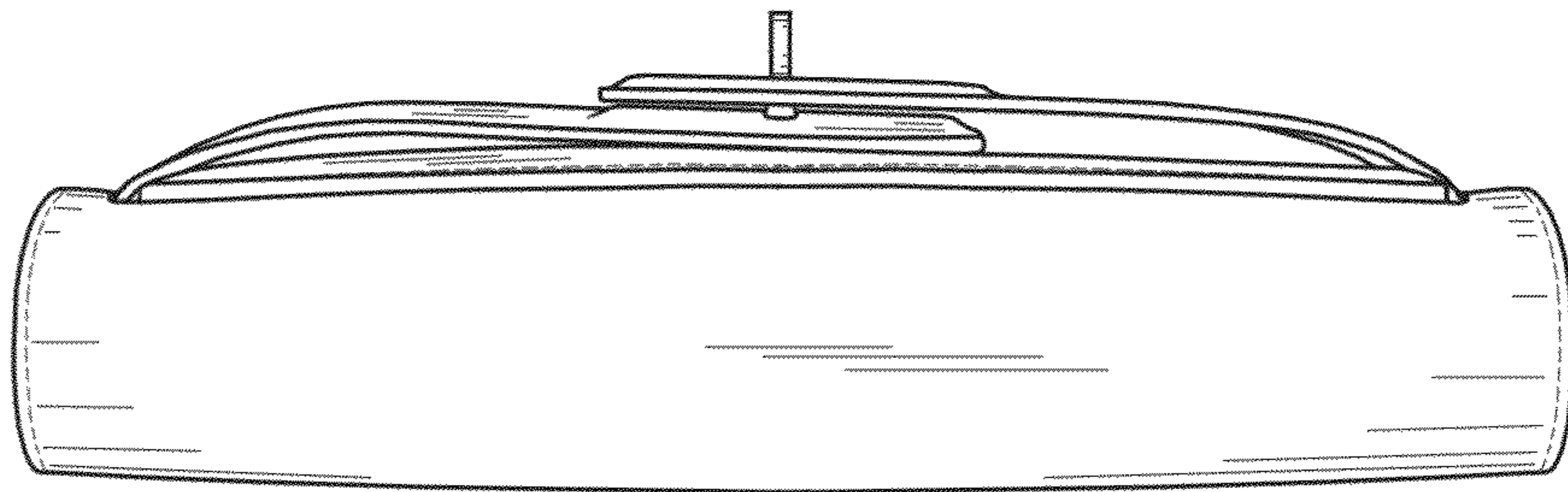


FIG. 6

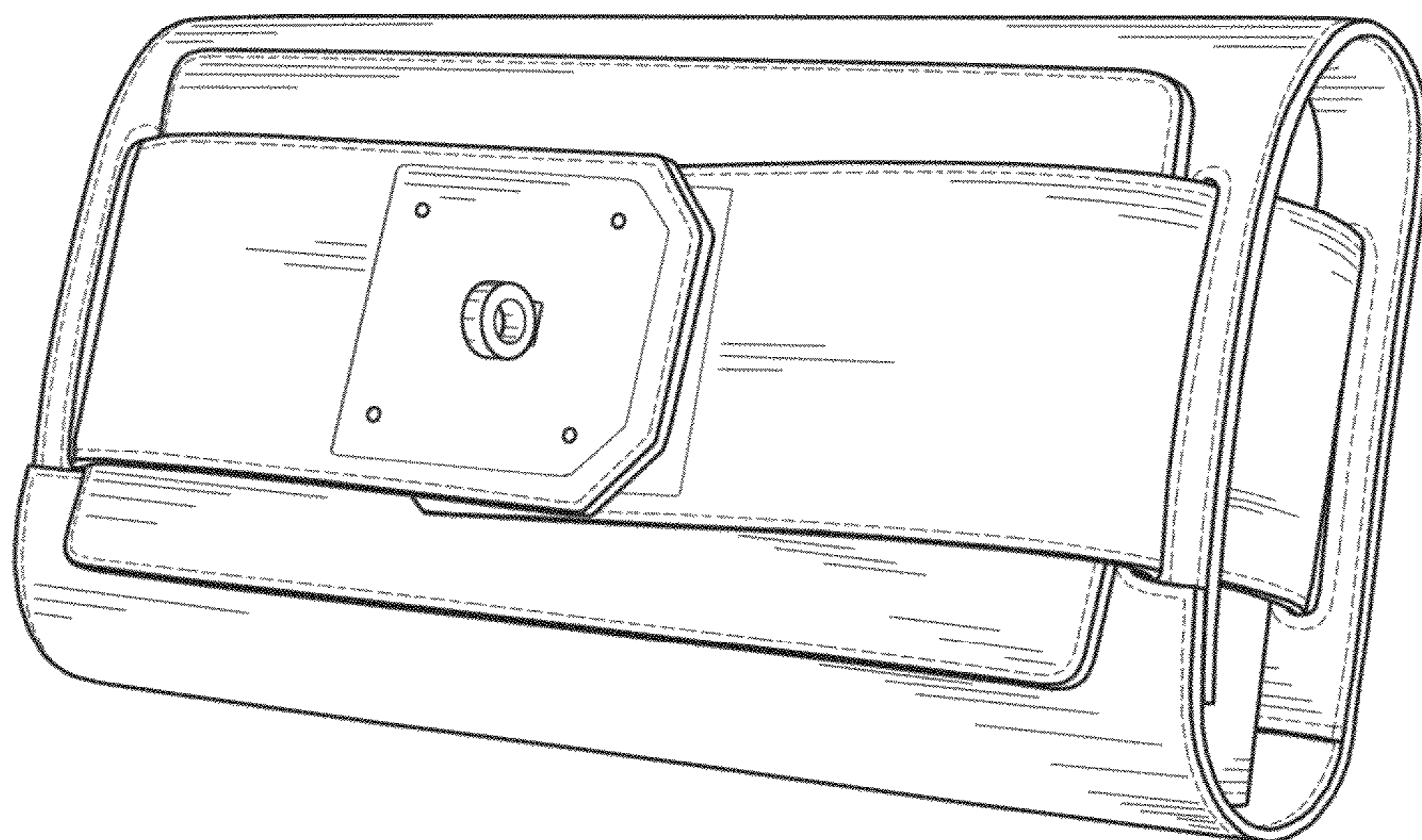


FIG. 7