



US00D756639S

(12) **United States Design Patent**
Vidal

(10) **Patent No.:** **US D756,639 S**

(45) **Date of Patent:** **** May 24, 2016**

(54) **HANDBAG**

D420,508 S 2/2000 Kohlhase
D543,356 S 5/2007 Gonzalez
D569,100 S 5/2008 Stulman

(71) Applicant: **Hermes Sellier (Societe Par Actions Simplifree)**, Paris (FR)

(Continued)

(72) Inventor: **Frederick Vidal**, Hardricourt (FR)

OTHER PUBLICATIONS

(73) Assignee: **Hermes Sellier (Societe Par Simplifree)**, Paris (FR)

Office Action dated Sep. 11, 2015, received in co-pending U.S. Appl. No. 29/499,666.

(Continued)

(**) Term: **14 Years**

Primary Examiner — Robert M Spear

(21) Appl. No.: **29/500,089**

Assistant Examiner — Eliza Bennett-Hattan

(22) Filed: **Aug. 21, 2014**

(74) *Attorney, Agent, or Firm* — Foley & Lardner LLP

(30) **Foreign Application Priority Data**

(57) **CLAIM**

I claim the ornamental design for a handbag, as shown and described.

Feb. 25, 2014 (WO) DM/082 978

DESCRIPTION

(51) **LOC (10) CL.** **03-01**

(52) **U.S. CL.**
USPC **D3/246**

(58) **Field of Classification Search**
USPC D3/218, 227, 232–233, 239, 240–243,
D3/245, 289, 301, 303, 318, 323, 327, 328,
D3/900; D8/97, 107, 300, 303, 313, 314,
D8/321; D15/5, 18

CPC Y10T 24/2586; Y10T 24/2589; Y10T
24/257; Y10T 24/25; A44B 19/262; A44B
19/26; A44B 19/00; A41F 1/0008; A41D
2300/322; A45C 11/324

See application file for complete search history.

FIG. 1 is a front elevational view of a handbag of the claimed design;

FIG. 2 is a rear elevational view of the handbag shown in FIG. 1;

FIG. 3 is a right side elevational view of the handbag shown in FIG. 1;

FIG. 4 is a left side elevational view of the handbag shown in FIG. 1;

FIG. 5 is a top plan view of the handbag shown in FIG. 1;

FIG. 6 is a bottom plan view of the handbag shown in FIG. 1;

FIG. 7 is a front perspective view of the handbag shown in FIG. 1;

FIG. 8 is a front perspective view of the handbag shown in FIG. 1 in an alternate configuration; and,

FIG. 9 is a rear perspective view of the handbag shown in FIG. 1 in an alternate configuration.

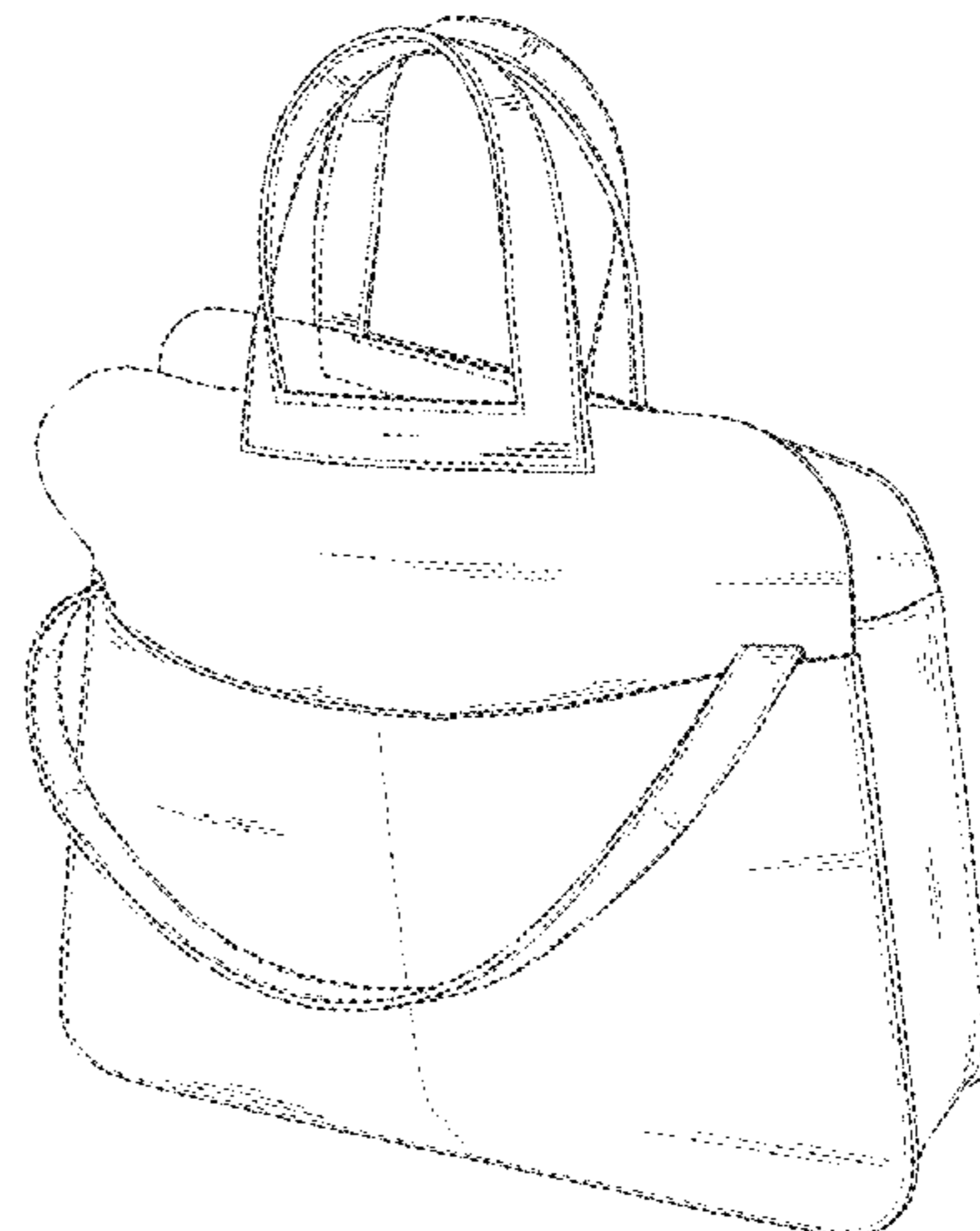
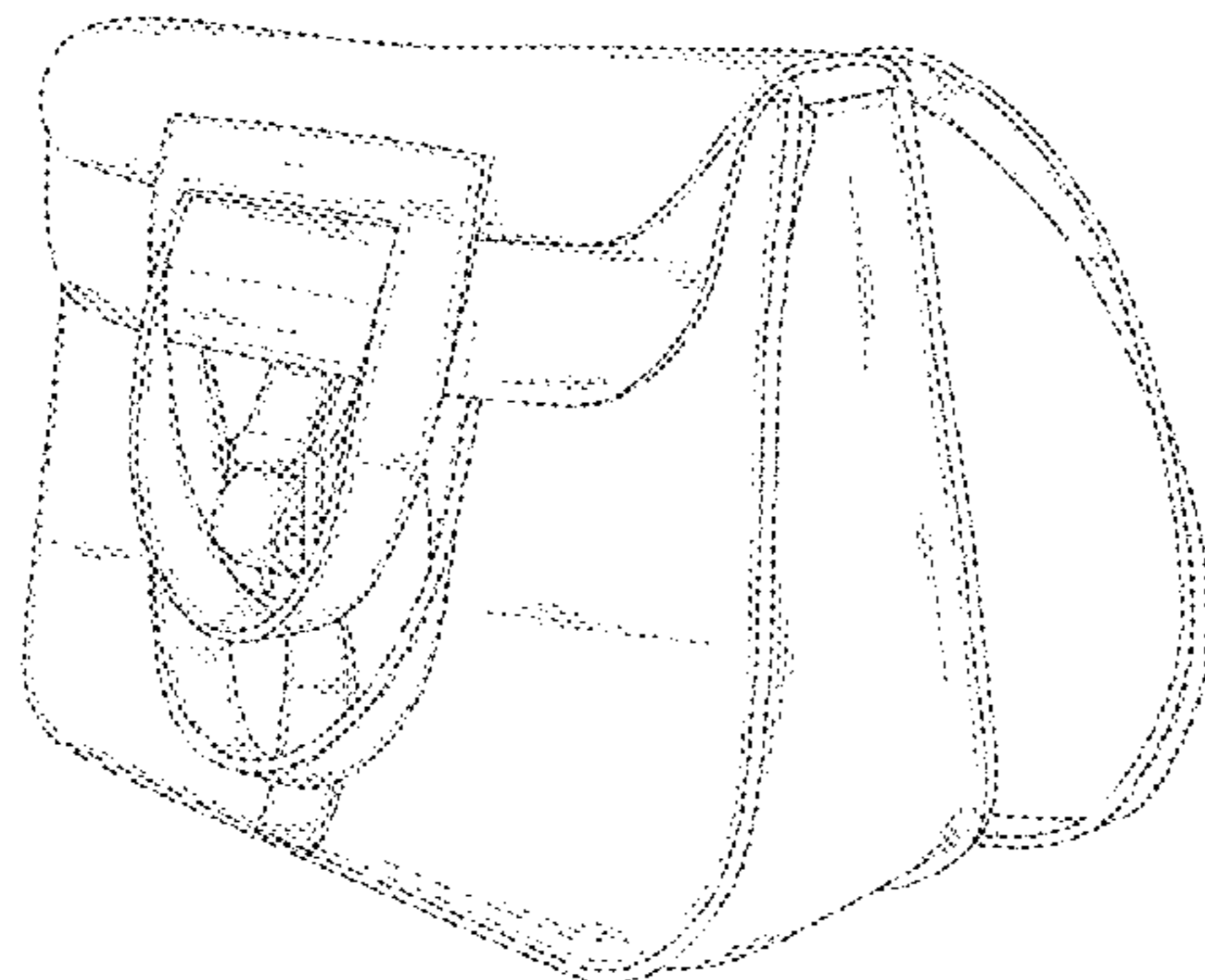
The claimed design is shown in solid lines in the figures. The dashed broken lines in the figures represent stitching and are part of the claimed design.

(56) **References Cited**

U.S. PATENT DOCUMENTS

D39,937 S 4/1909 Levy
D55,852 S 7/1920 Fisher
D126,995 S 5/1941 Wright
D142,852 S 11/1945 Glick
D230,660 S 3/1974 Hayes
D254,877 S 5/1980 Woods

1 Claim, 9 Drawing Sheets



(56)

References Cited

U.S. PATENT DOCUMENTS

D572,468 S 7/2008 Nair
D577,910 S 10/2008 Hollinger
D602,248 S 10/2009 Wilson
D644,024 S * 8/2011 Jobert D3/245
D656,726 S 4/2012 Flores
D672,141 S 12/2012 Harbinson
D674,602 S * 1/2013 Gerbi D3/245
D690,506 S 10/2013 Kuster et al.
D694,005 S * 11/2013 Della Valle D3/245
D703,430 S * 4/2014 Della Valle D3/232

D712,654 S * 9/2014 Wang D3/243
D714,048 S 9/2014 Wang
D728,929 S 5/2015 Dumas

OTHER PUBLICATIONS

Office Action dated Sep. 21, 2015, received in co-pending U.S. Appl. No. 29/499,659.
Notice of Allowance and Issue Fee(s) Due dated Feb. 4, 2016, in U.S. Appl. No. 29/499,659.
Notice of Allowance and Issue Fee(s) Due dated Jan. 21, 2016, in U.S. Appl. No. 29/499,666.

* cited by examiner

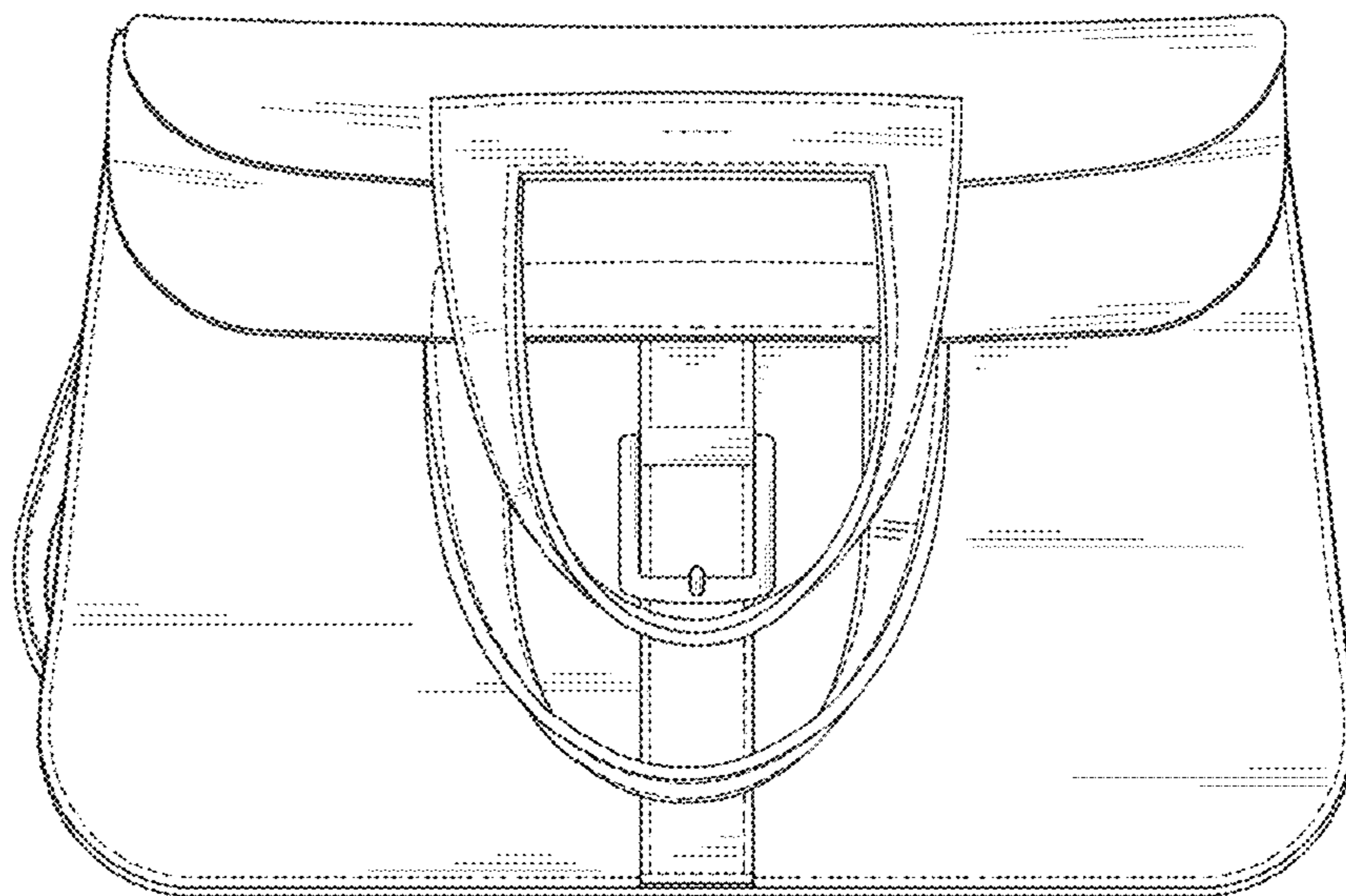


FIG. 1

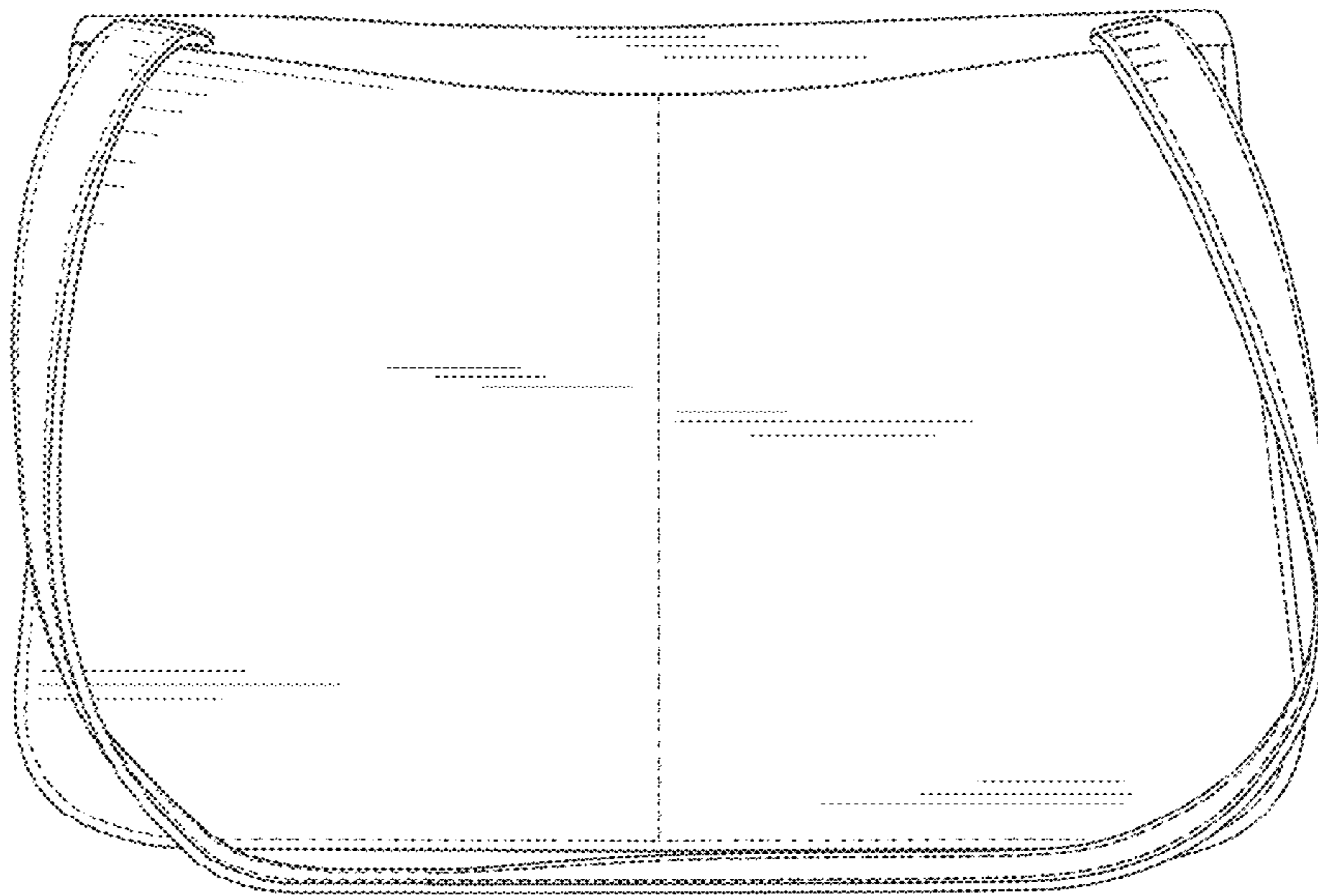


FIG. 2

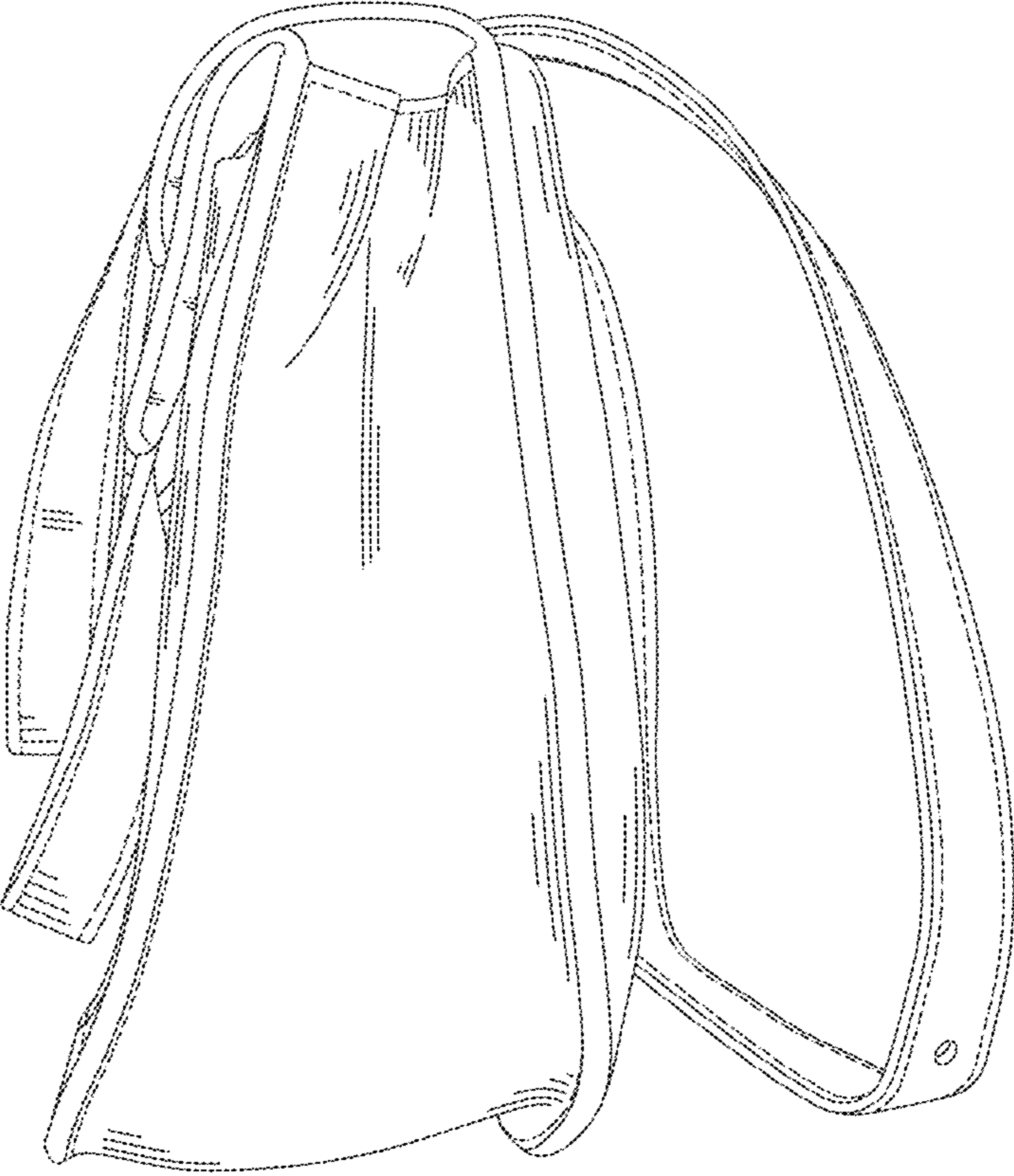


FIG. 3

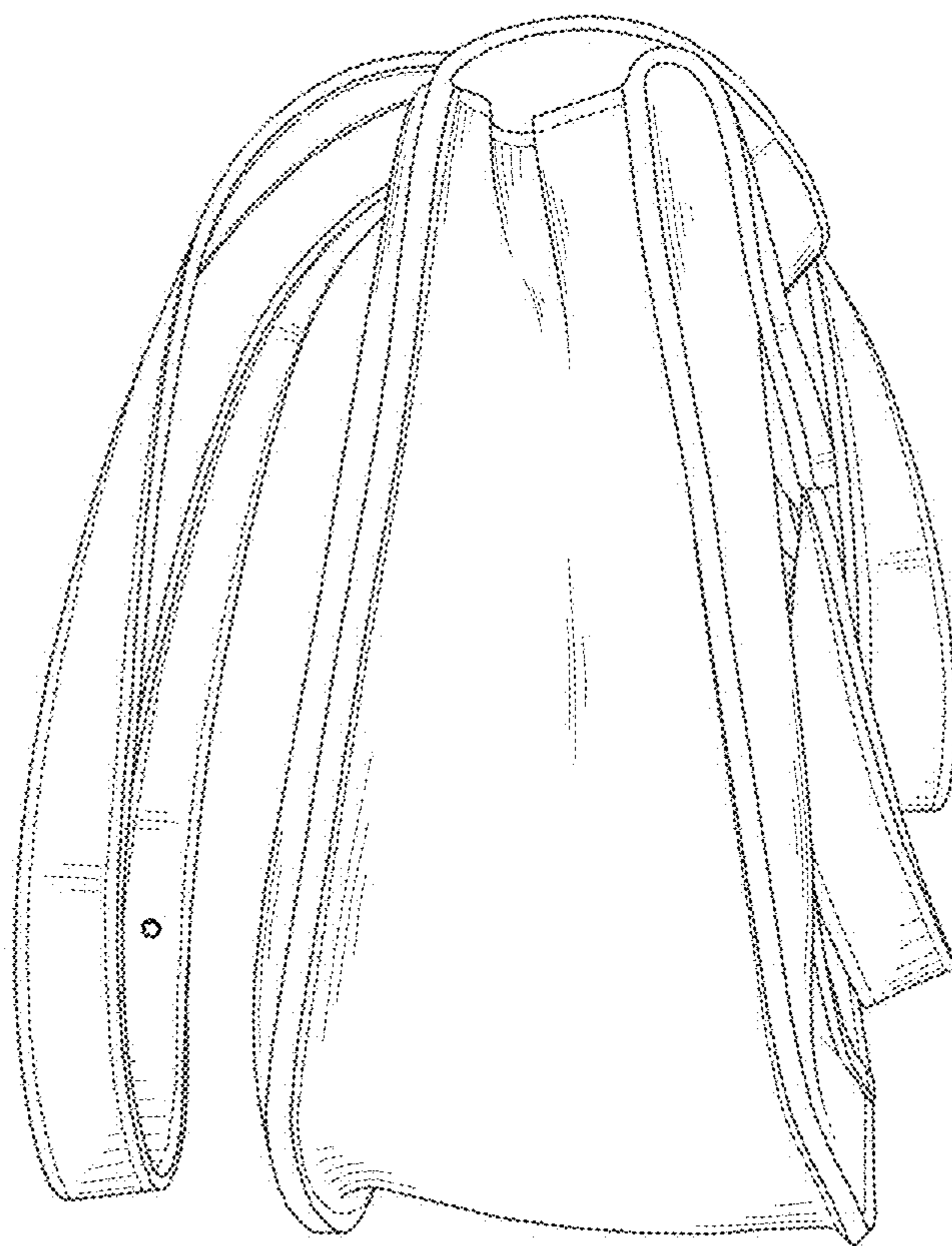


FIG. 4

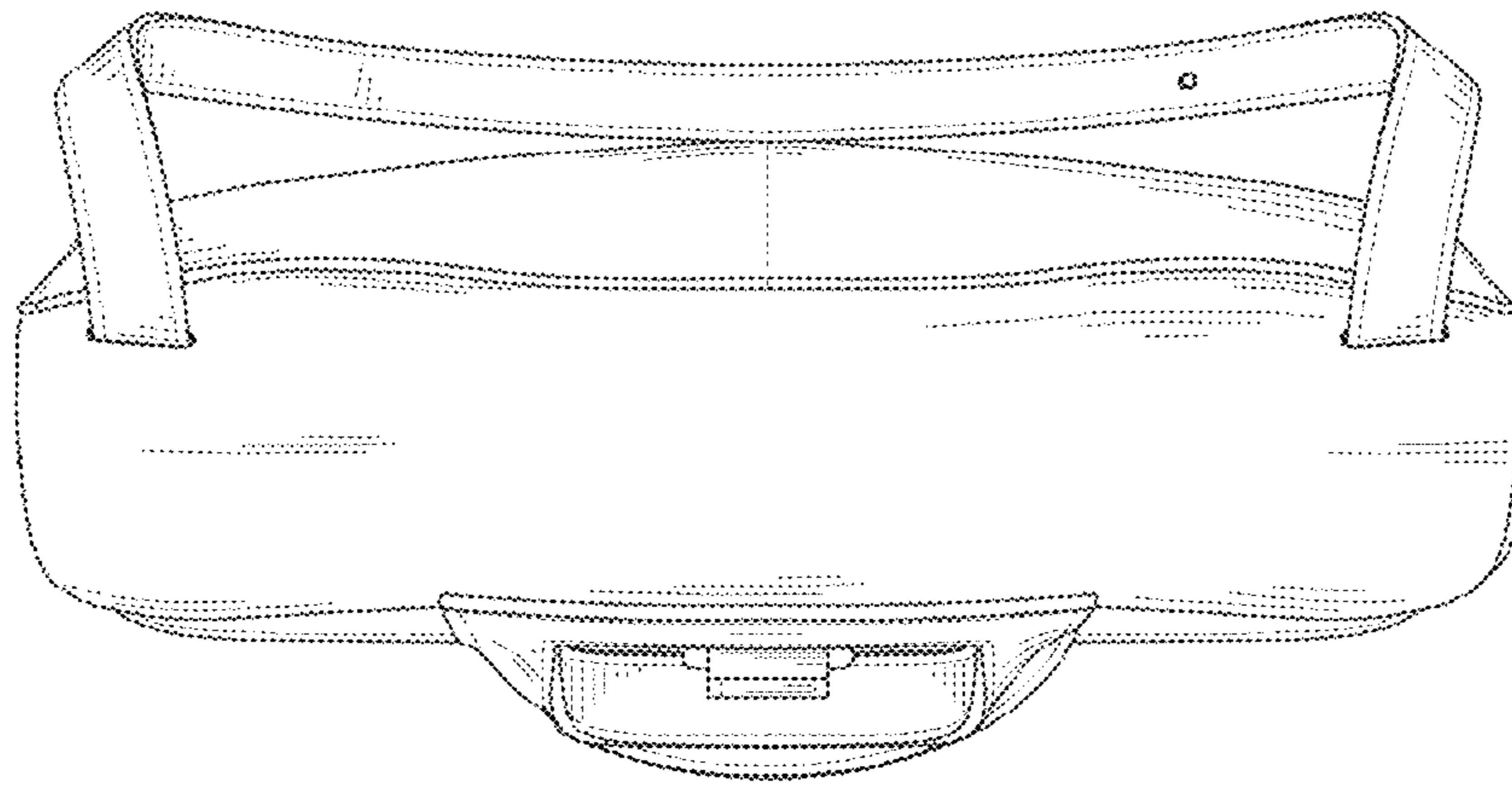


FIG. 5

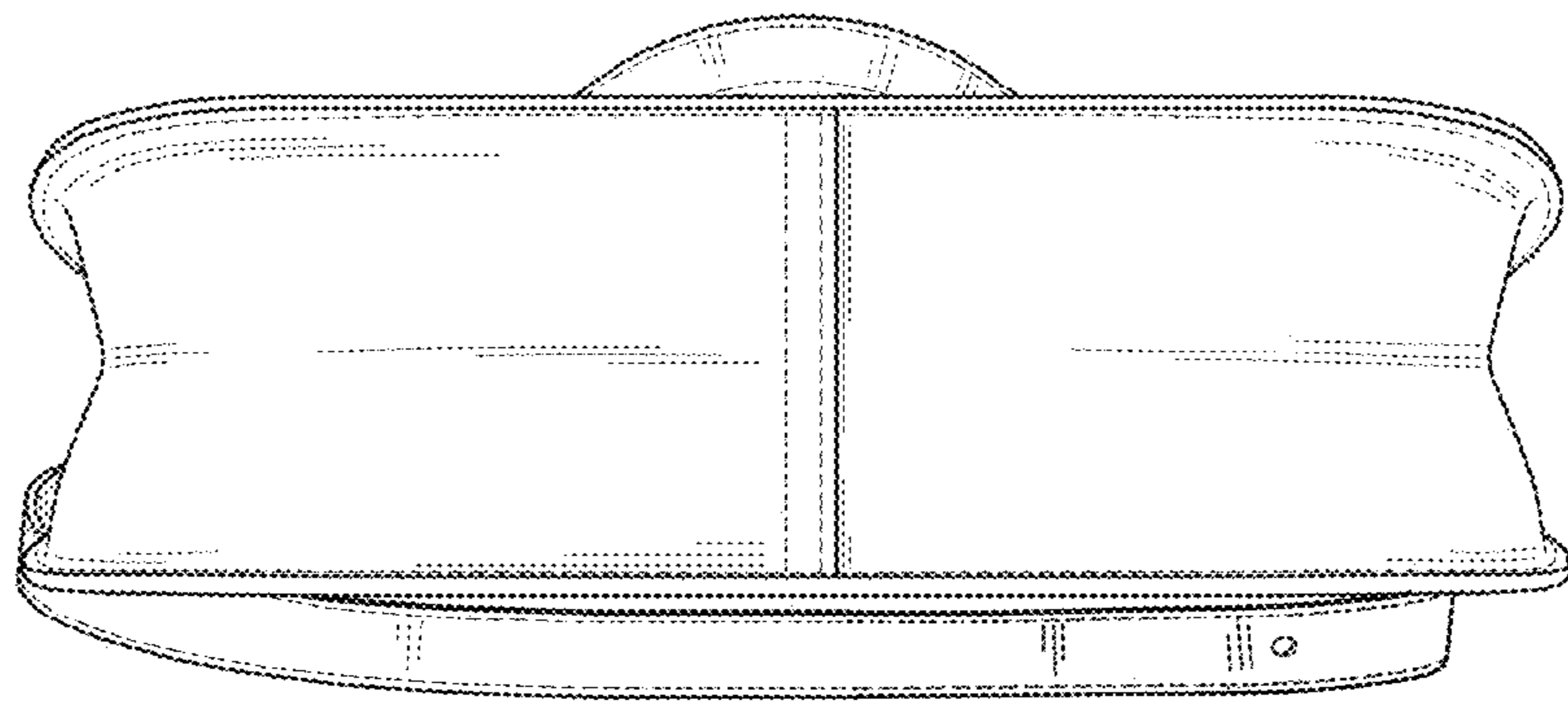


FIG. 6

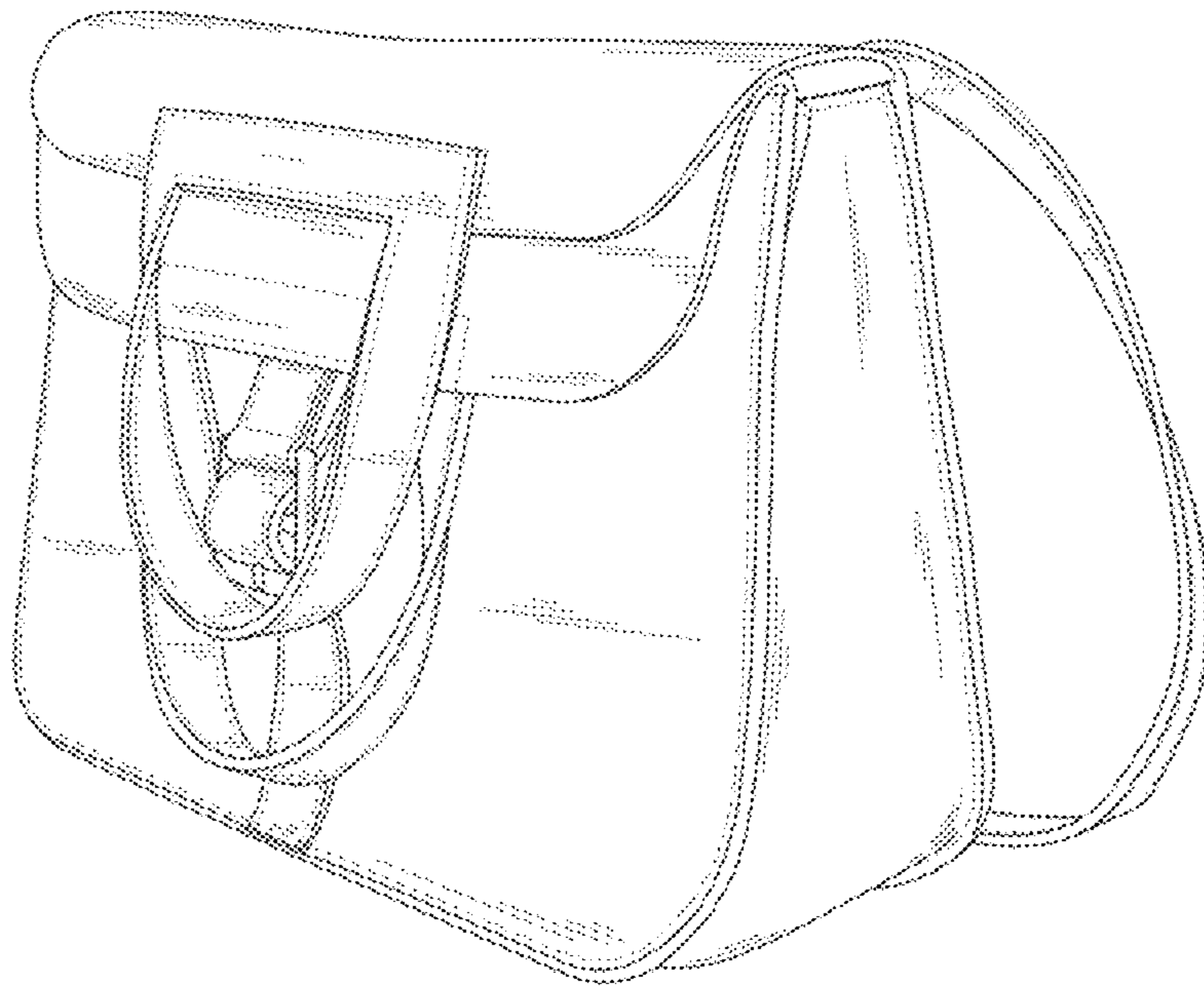


FIG. 7

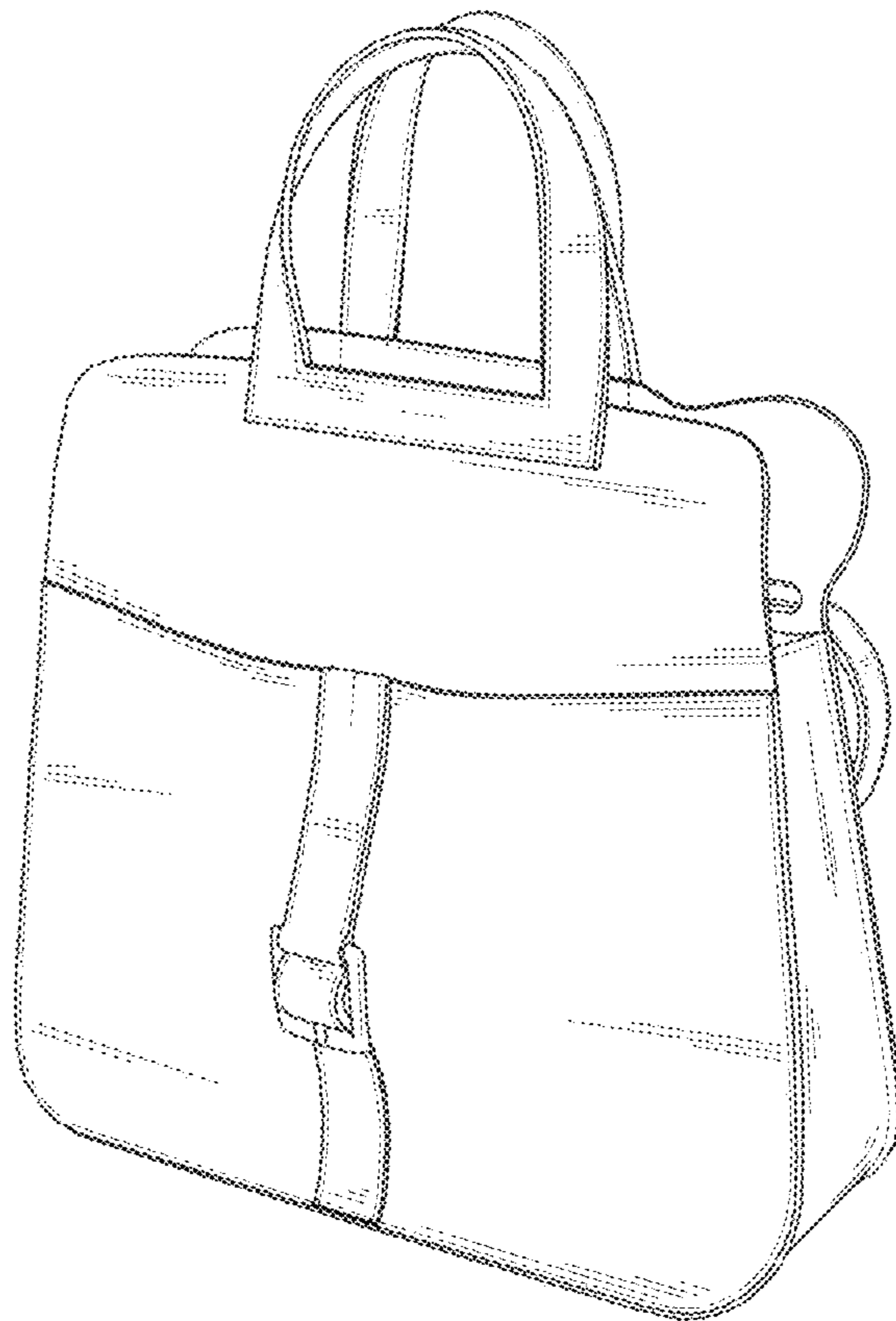


FIG. 8

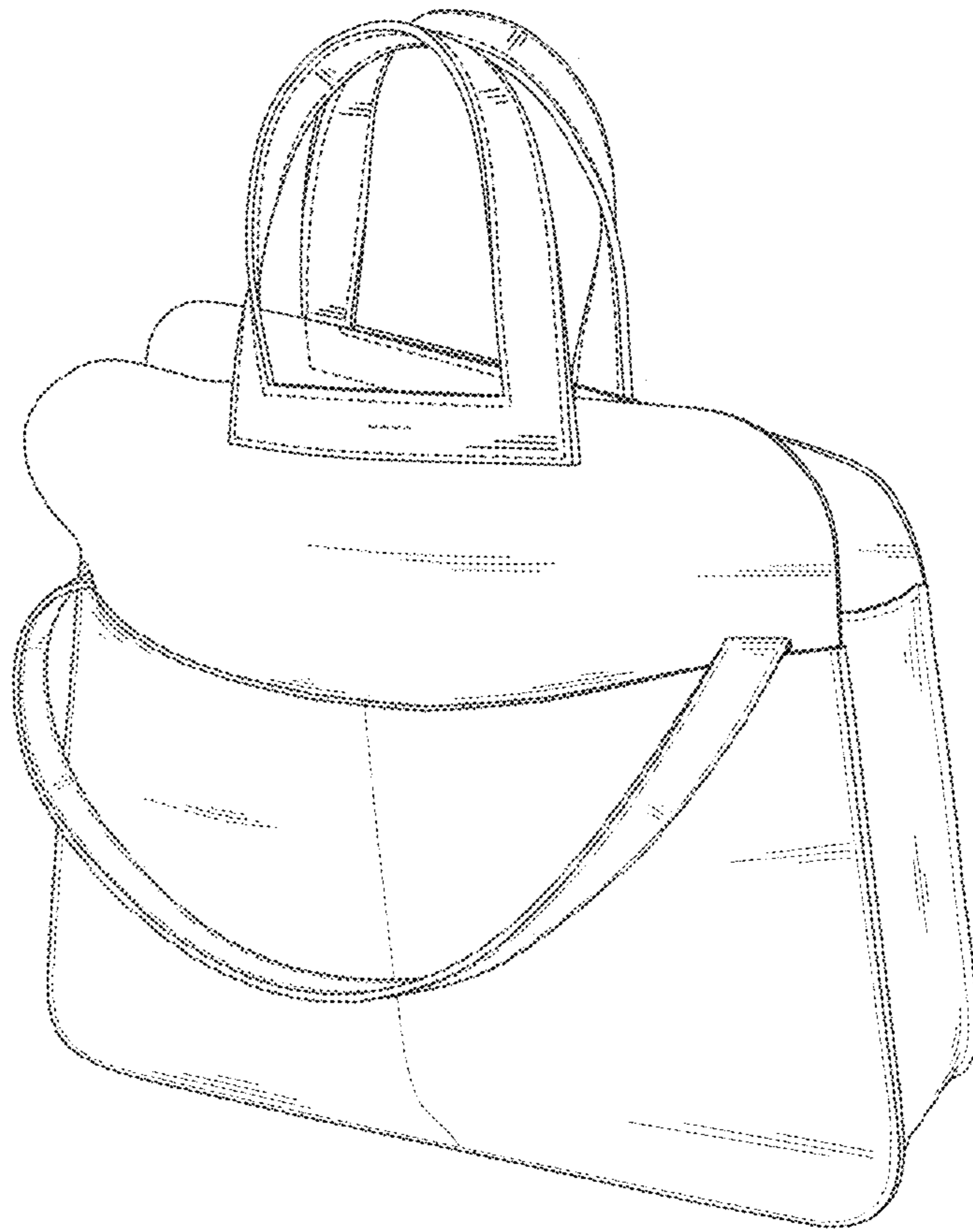


FIG. 9