



US00D756638S

(12) **United States Design Patent**
Frisoni

(10) **Patent No.:** **US D756,638 S**

(45) **Date of Patent:** **** May 24, 2016**

(54) **HANDBAG**

(56) **References Cited**

(71) Applicant: **GOUSSON - CONSULTADORIA E
MARKETING S.r.l.**, Sant'Elpidio a
Mare (Fermo) (IT)

(72) Inventor: **Bruno Frisoni**, Paris (FR)

(73) Assignee: **GOUSSON-CONSULTADORIA E
MARKETING S.R.L.**, Sant'Elpidio a
Mare (Fermo) (IT)

(**) Term: **14 Years**

(21) Appl. No.: **29/499,033**

(22) Filed: **Aug. 11, 2014**

(30) **Foreign Application Priority Data**

Mar. 19, 2014 (EM) 002428243

(51) **LOC (10) Cl.** **03-01**

(52) **U.S. Cl.**
USPC **D3/246**

(58) **Field of Classification Search**
USPC D3/218, 227, 232–233, 239, 240–243,
D3/245, 289, 301, 303, 318, 323, 327, 328,
D3/900; D8/97, 107, 300, 303, 313, 314,
D8/321; D15/5, 18
CPC Y10T 24/2586; Y10T 24/2589; Y10T
24/257; Y10T 24/25; A44B 19/262; A44B
19/26; A44B 19/00; A41F 1/008; A41D
2300/322; A45C 11/324

See application file for complete search history.

U.S. PATENT DOCUMENTS

D531,404 S	11/2006	Marttila	
D560,908 S	2/2008	Gerbi	
D560,909 S	2/2008	Gerbi	
D572,471 S	7/2008	Saconay-Duhart	
D598,648 S	8/2009	Stulman	
D606,744 S	12/2009	Vidal	
D624,750 S	10/2010	Della Valle et al.	
D644,024 S	8/2011	Jobert	
D674,601 S	1/2013	Gerbi	
D676,235 S	2/2013	Vidal	
D683,958 S	6/2013	Guyon et al.	
D691,798 S *	10/2013	Venturini Fendi	D3/232
D694,006 S	11/2013	Della Valle	
D703,430 S *	4/2014	Della Valle	D3/232
D718,931 S *	12/2014	Brundl	D3/232
D724,317 S *	3/2015	Proteau	D3/232
D729,514 S *	5/2015	Della Valle	D3/232
D734,025 S *	7/2015	Sassi	D3/232

* cited by examiner

Primary Examiner — Robert M Spear

Assistant Examiner — Eliza Bennett-Hattan

(74) *Attorney, Agent, or Firm* — Knobbe Martens Olson &
Bear LLP

(57) **CLAIM**

The ornamental design for the handbag, as shown.

DESCRIPTION

FIG. 1 is a front elevational view of a handbag according to
my new design.

FIG. 2 is a rear elevational view thereof.

FIG. 3 is a right side elevational view thereof.

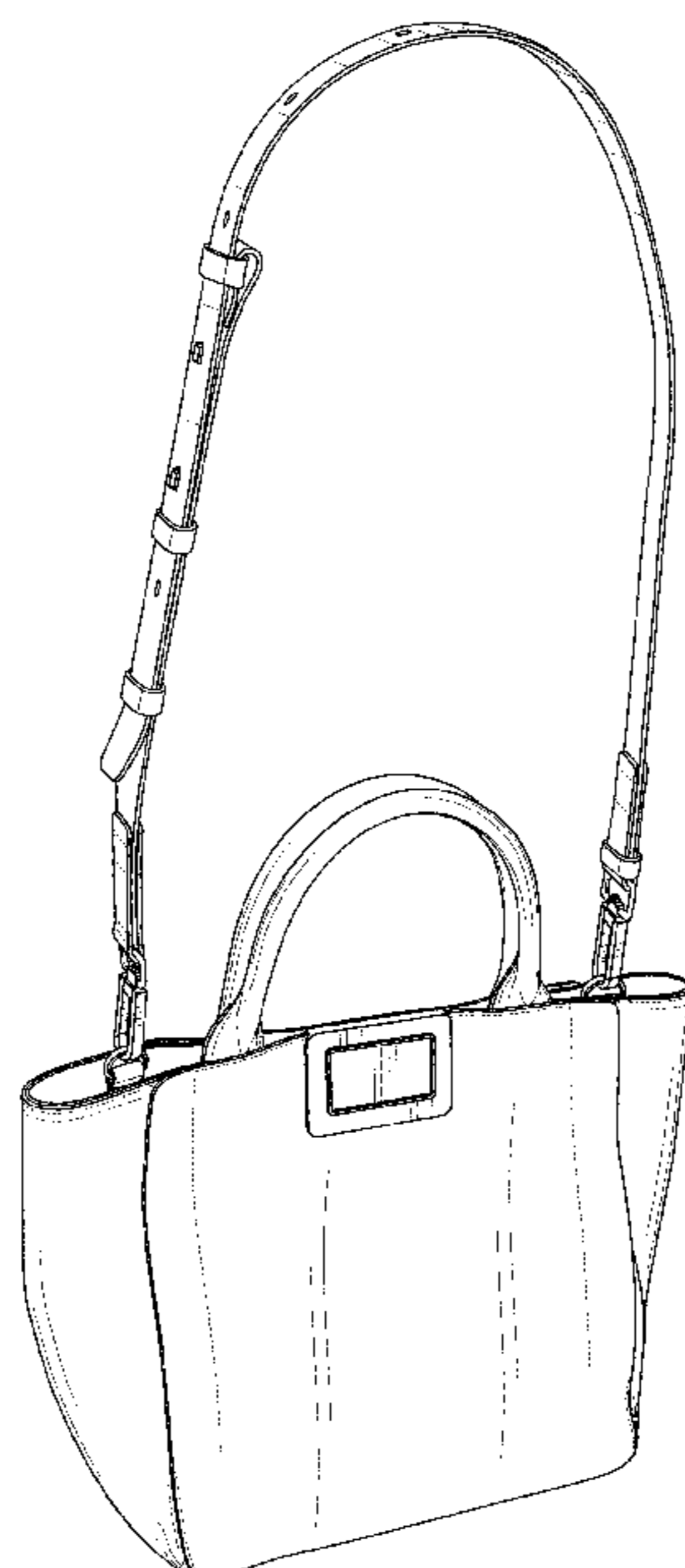
FIG. 4 is a left side elevational view thereof.

FIG. 5 is a top plan view thereof.

FIG. 6 is a bottom plan view thereof; and,

FIG. 7 is a top perspective view thereof.

1 Claim, 6 Drawing Sheets



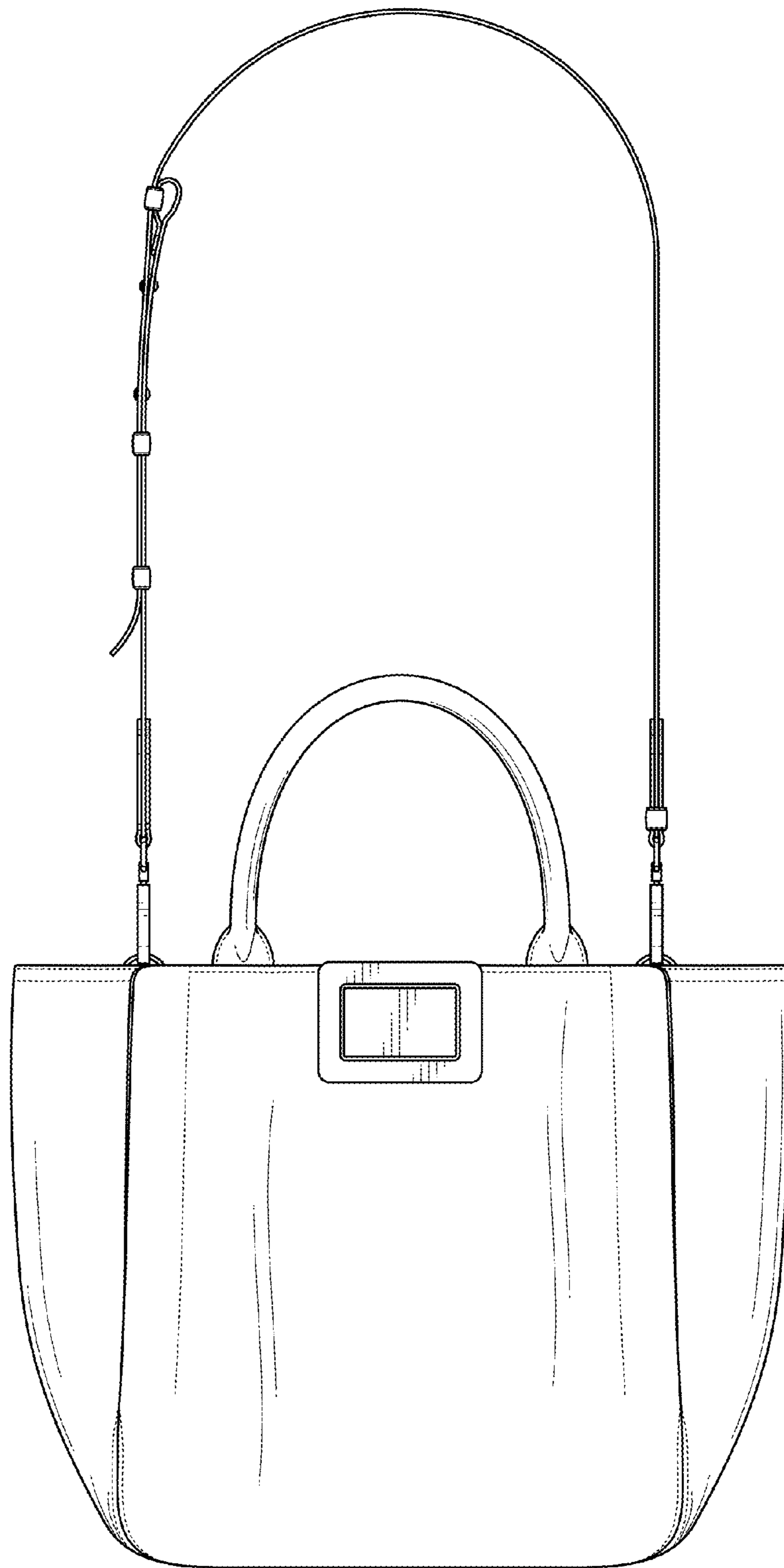


FIG. 1

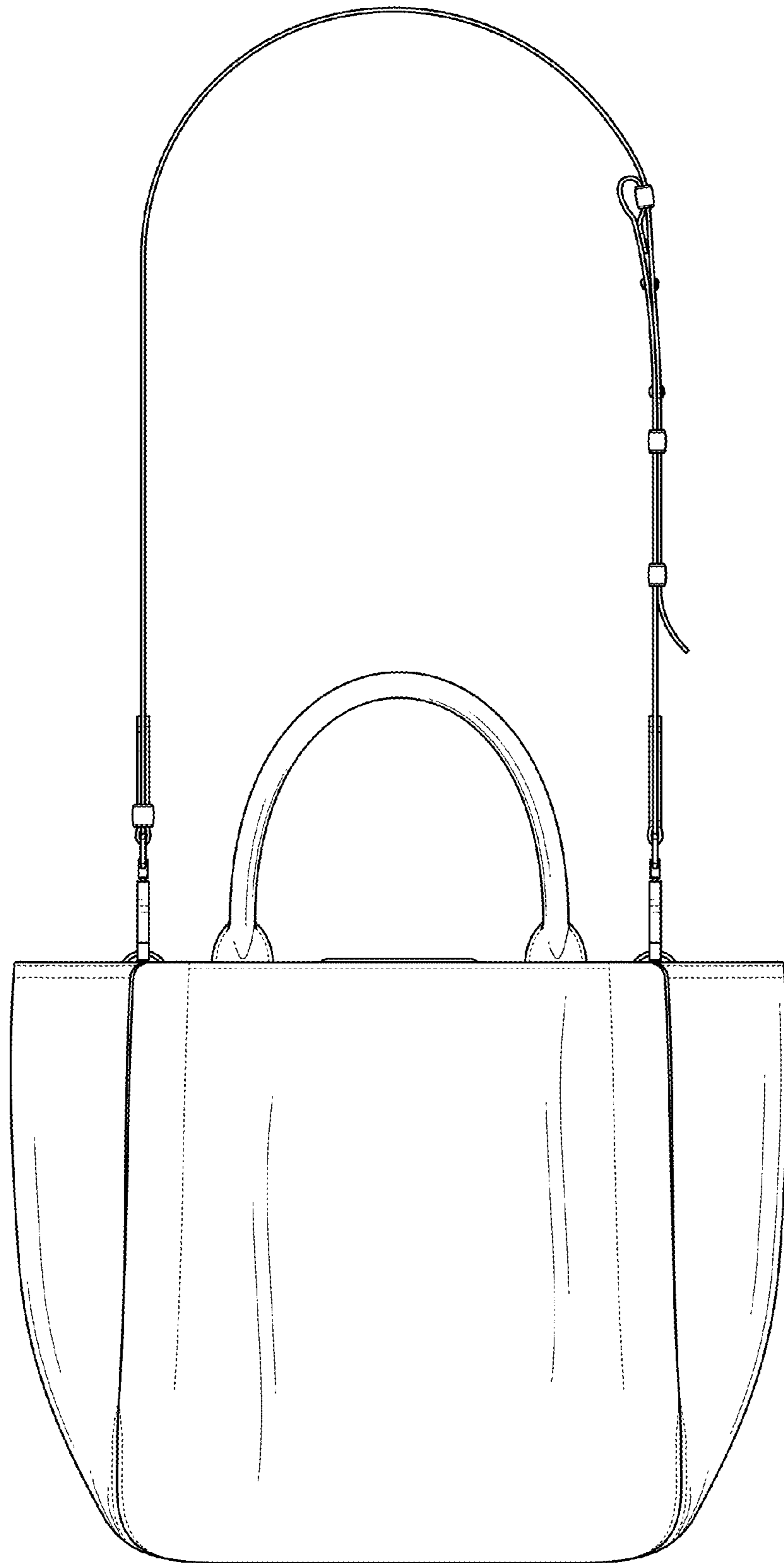


FIG. 2

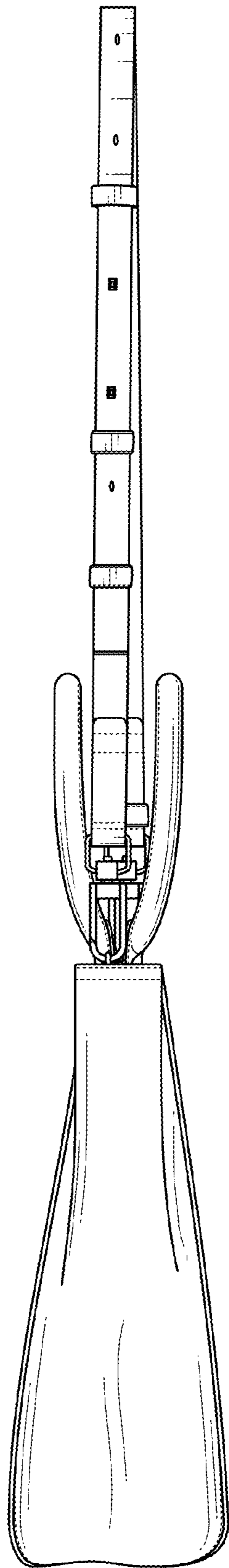


FIG. 3

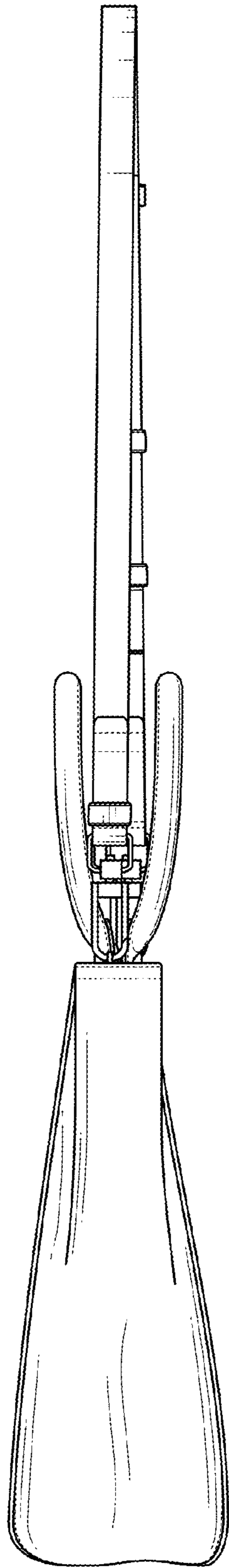


FIG. 4

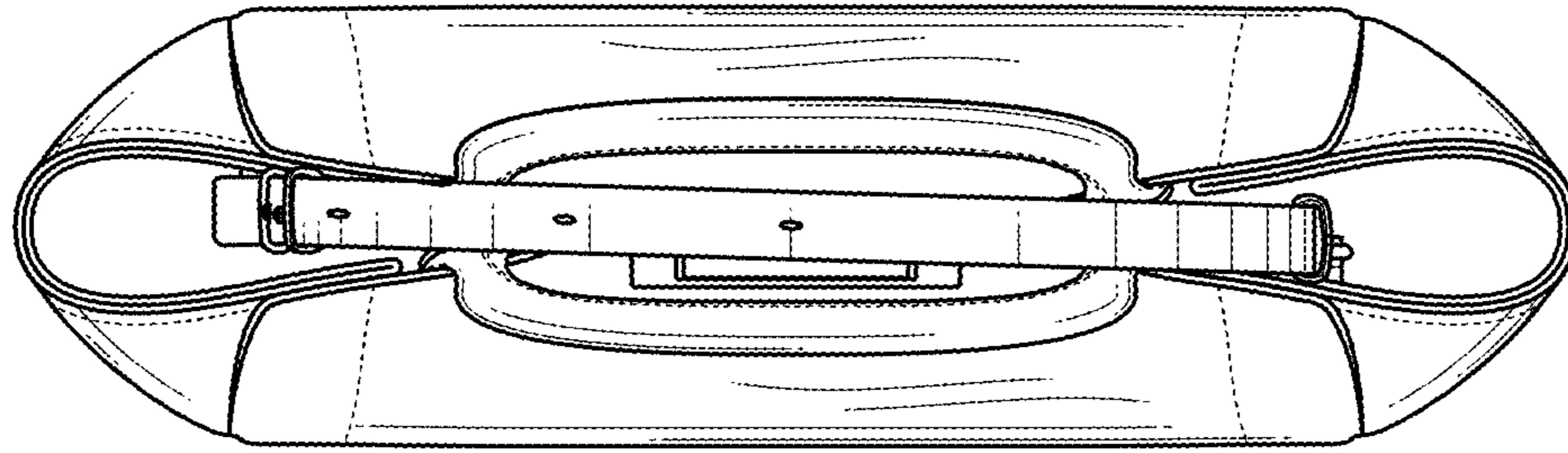


FIG. 5

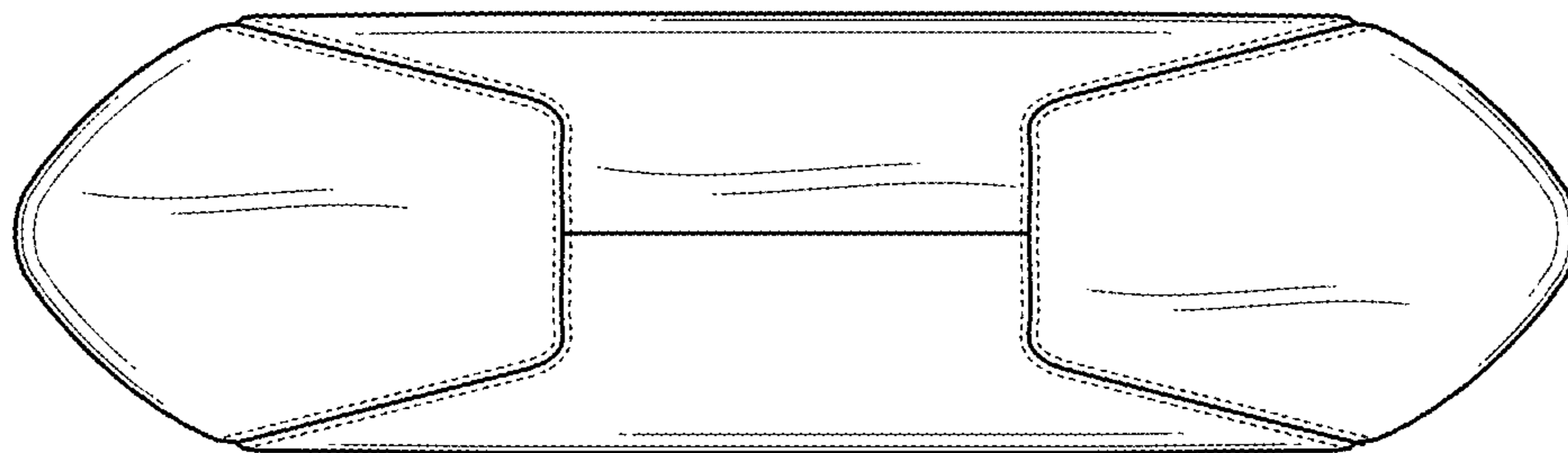


FIG. 6

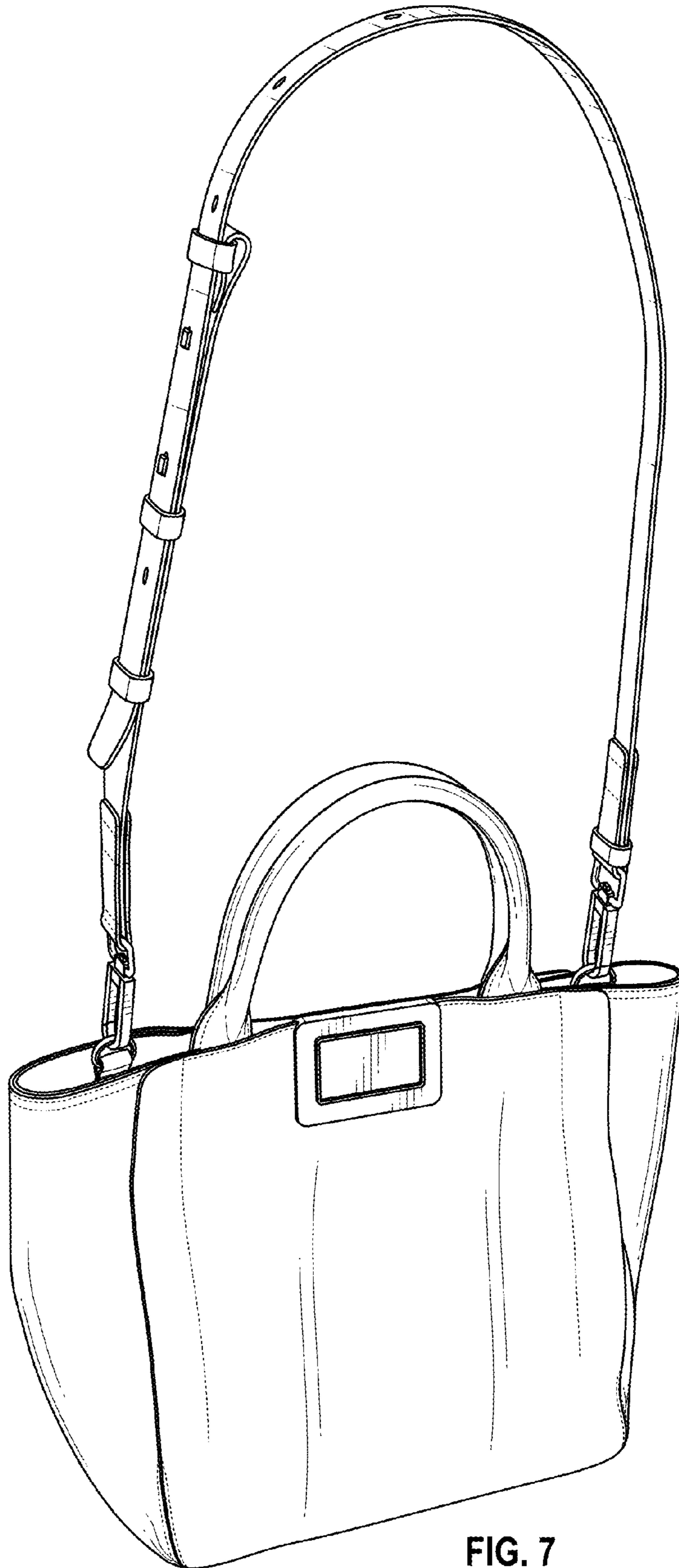


FIG. 7