



US00D756630S

(12) **United States Design Patent**
Tunney

(10) **Patent No.:** **US D756,630 S**

(45) **Date of Patent:** **** *May 24, 2016**

(54) **POCKET KEY ORGANIZER**

ablehomeaides.com/keyholders.html, printed Nov. 24, 2011, (5 pages).

(71) Applicant: **Keysmart, LLC**, Mount Prospect, IL (US)

(Continued)

(72) Inventor: **Michael Tunney**, Mount Prospect, IL (US)

Primary Examiner — Ralf Seifert

(74) *Attorney, Agent, or Firm* — Maxwell J. Petersen

(73) Assignee: **Keysmart, LLC**, Broadview, IL (US)

(57) **CLAIM**

(*) Notice: This patent is subject to a terminal disclaimer.

The ornamental design for a pocket key organizer, substantially as shown and described.

(**) Term: **15 Years**

DESCRIPTION

(21) Appl. No.: **29/526,825**

FIG. 1 is a front perspective view showing the pocket key organizer according to a preferred embodiment of this invention.

(22) Filed: **May 13, 2015**

FIG. 2 is a left side view of the pocket key organizer.

(51) **LOC (10) Cl.** **03-01**

FIG. 3 is a right side view of the pocket key organizer.

(52) **U.S. Cl.**

FIG. 4 is a top view of the pocket key organizer.

USPC **D3/207**

FIG. 5 is a bottom view of the pocket key organizer.

(58) **Field of Classification Search**

FIG. 6 is a front view of the pocket key organizer.

USPC D3/207-212; 70/456 B, 457, 458, 408; D13/168; D8/347; D10/104; D14/496; 206/37.1

FIG. 7 is a rear view of the pocket key organizer.

CPC H04B 1/034; F04B 15/00

FIG. 8 is a cross-sectional view of the pocket key organizer along the line identified in FIG. 6.

See application file for complete search history.

FIG. 9 is a front perspective view of the pocket key organizer.

(56) **References Cited**

FIG. 10 is a front view of the pocket key organizer.

U.S. PATENT DOCUMENTS

FIG. 11 is a front perspective view of the pocket key organizer; and,

D3,942 S 3/1870 Elwell
1,669,945 A * 5/1928 Michailovsky A45C 11/324
70/456 R

FIG. 12 is a front view of the pocket key organizer.

(Continued)

Features shown in broken lines in FIGS. 9-12 of the drawings are for illustrating the environmental structure and form no part of the claimed design.

FOREIGN PATENT DOCUMENTS

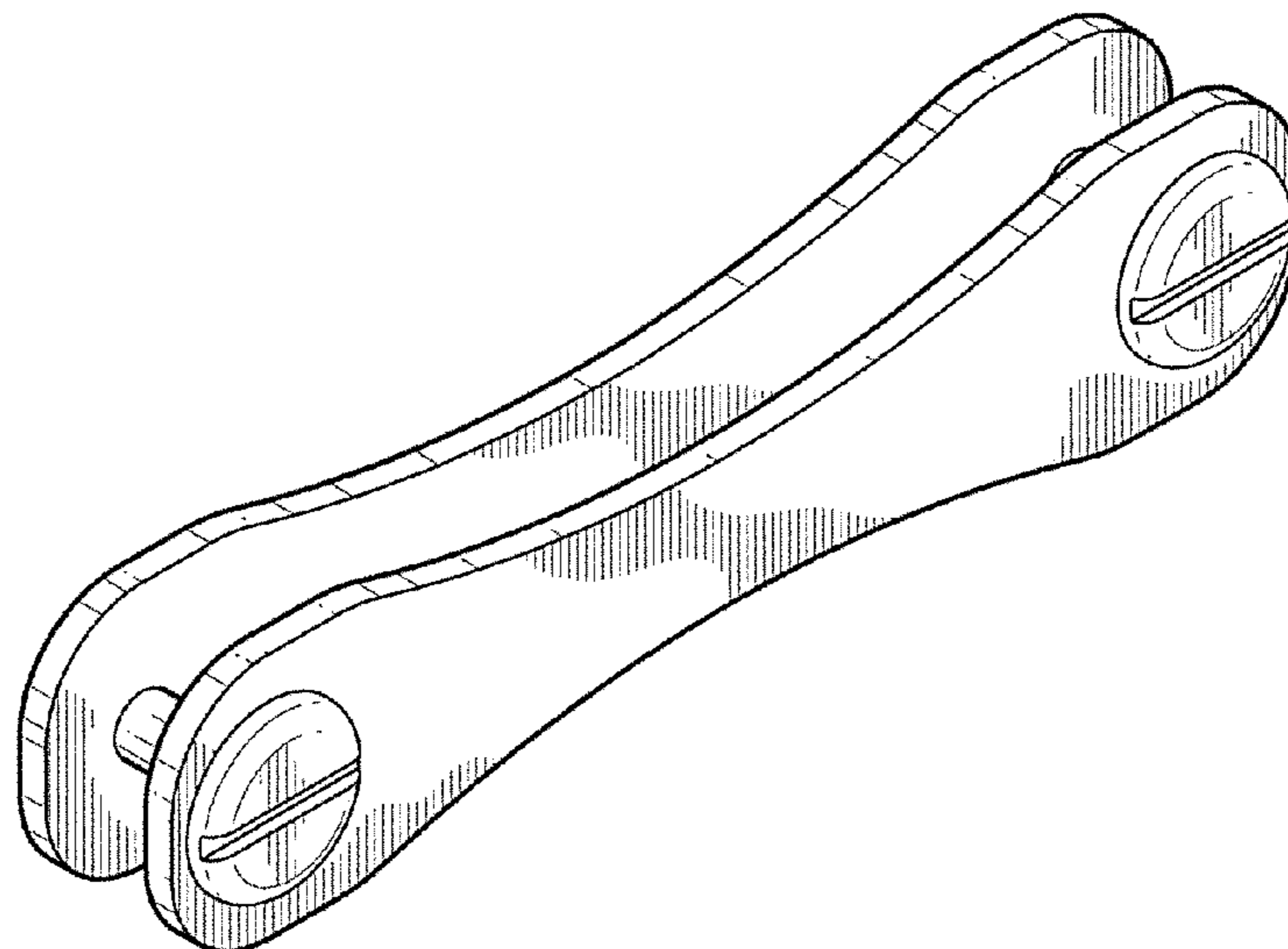
Posts shown in FIGS. 2-5 and 8 of the drawings are shown broken away to indicate indeterminate length, it being understood that the posts have a uniform shape and appearance throughout their length.

GB 856223 12/1960

OTHER PUBLICATIONS

Able Home Aides, "Able Home Aides Product List", Keys and Holders for Easy Turning from AHA, available at <http://www.ablehomeaides.com>

1 Claim, 6 Drawing Sheets



(56)

References Cited

U.S. PATENT DOCUMENTS

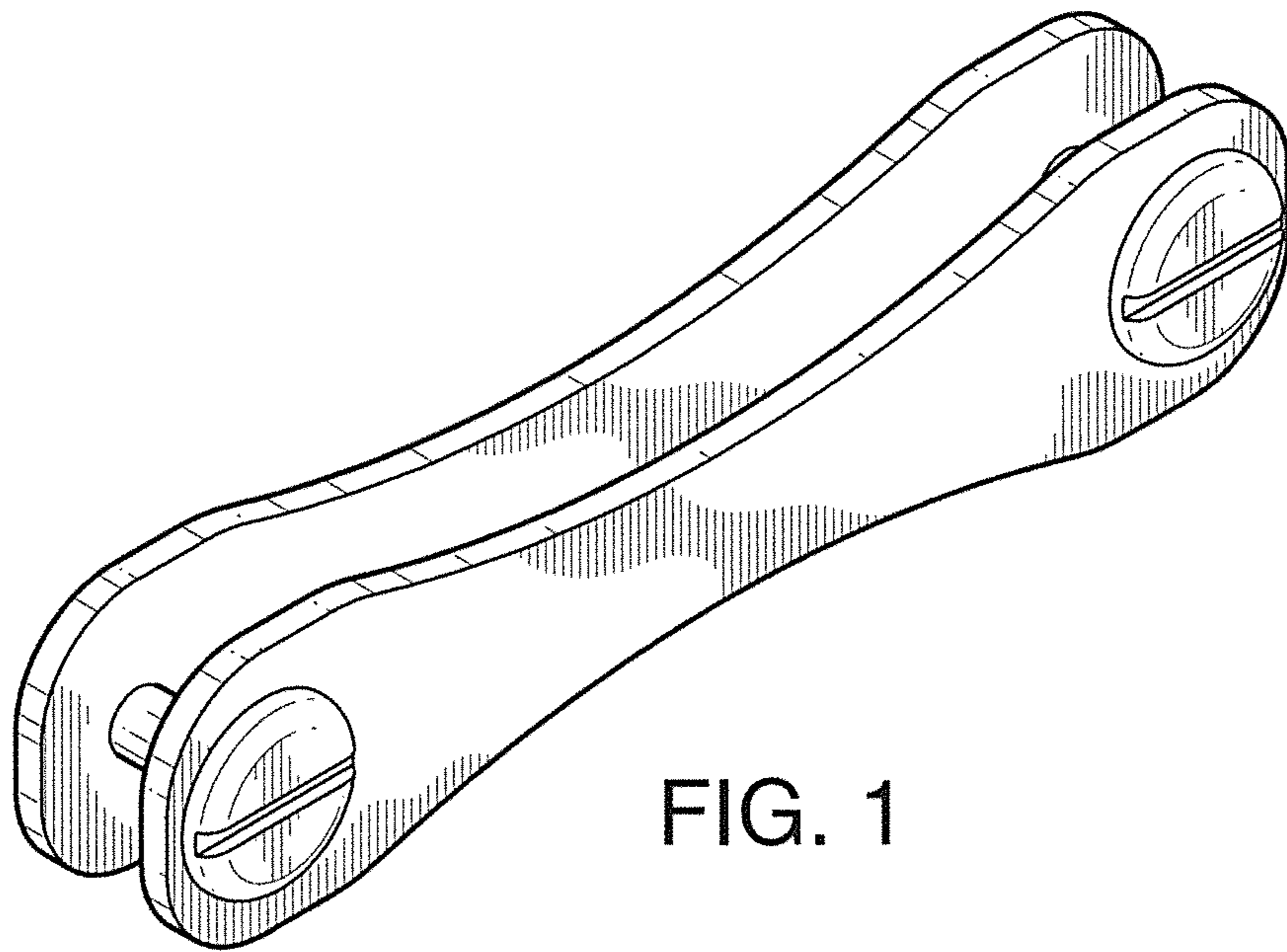
1,885,957 A 11/1932 Singleton
 1,974,160 A 9/1934 Peirson
 1,974,558 A * 9/1934 Andis A45C 11/324
 70/456 R
 2,245,381 A * 6/1941 Biggs A45C 11/324
 70/456 R
 D133,144 S * 7/1942 Struble 24/3.6
 2,306,970 A * 12/1942 MacPherson A45C 11/324
 206/37.4
 2,344,581 A 3/1944 Ziegewald
 2,387,319 A 10/1945 Evans
 2,486,180 A * 10/1949 Vaccaro A45C 1/02
 206/0.81
 D156,677 S 12/1949 Smith
 2,493,330 A 1/1950 Zimmerman
 2,549,228 A 4/1951 Ostrander
 2,659,231 A 11/1953 Glubiak
 2,753,710 A * 7/1956 Bestard A45C 11/324
 70/456 R
 2,790,319 A 4/1957 Brunner
 3,321,943 A 5/1967 Reyes
 3,355,917 A 12/1967 Albert
 3,436,942 A 4/1969 Proctor
 3,455,131 A 7/1969 Shofner
 3,606,777 A 9/1971 Watson
 3,877,269 A * 4/1975 Dehart A45C 11/324
 70/456 R
 4,045,984 A 9/1977 McDonald
 4,253,321 A * 3/1981 Sorensen A45C 11/324
 70/456 R
 4,596,126 A * 6/1986 Sorensen A45C 11/324
 70/456 R
 4,646,913 A 3/1987 Wing et al.
 5,117,666 A 6/1992 Keefer
 D332,384 S 1/1993 Dague
 D334,528 S 4/1993 Franklin
 5,199,560 A 4/1993 Lee et al.
 D356,019 S 3/1995 Sakai
 D357,166 S 4/1995 Concari
 D382,190 S 8/1997 Blackston et al.
 5,791,211 A 8/1998 Bondhus et al.
 D404,284 S 1/1999 Sacco et al.
 D405,675 S 2/1999 Rivera
 D434,302 S 11/2000 Van Den Acker
 D442,060 S 5/2001 Neset et al.
 D442,061 S 5/2001 Harris et al.
 6,892,558 B2 5/2005 Chodosh
 7,127,922 B2 10/2006 Khounsombath et al.
 7,481,137 B1 1/2009 Johnson
 D624,305 S 9/2010 Downes

D674,590 S 1/2013 Busch
 D693,202 S 11/2013 Berman
 D705,533 S 5/2014 Tunney
 D728,922 S 5/2015 Taylor
 2001/0012754 A1 8/2001 Anderson et al.
 2005/0103070 A1 5/2005 Meyerson et al.
 2006/0000250 A1 1/2006 Folger

OTHER PUBLICATIONS

Instructables, "Friendly Folding Keychain", available at <http://www.instructables.com/id/Friendly-Folding-Keychain/>, printed Aug. 13, 2015, (10 pages).
 Gordon, W., "Folding Key Chain", Aug. 8, 2011, <http://www.instructables.com/id/Folding-Key-Chain/>, printed Apr. 15, 2015.
 Ethanf, "Do You Hate Your Keys Jingling? (Bicycle Content)", Sep. 12, 2012, EDCForums, <http://edcforums.com/threads/do-you-hate-your-keys-jingling-bicycle-content.87540/>, printed Apr. 15, 2015.
 Bladekey, LLC, "Bolt-Open Source Pocket Key Organizer", Mar. 11, 2013, Kickstarter.com, <https://www.kickstarter.com/projects/bladekey/bladekeytm-bolt-open-source-pocket-key-organizer>, printed Apr. 15, 2015.
 Ableware, "Ableware 754120004 Four Key Holder", <http://www.amazon.com/Ableware-754120004-Four-Key-Holder/dp/B00EYC0TK6>, printed Apr. 15, 2015.
 Key Inventions, LLC, "Key Organizer", <http://www.key-inventions.com>, printed Apr. 15, 2015.
 Anonymous, "Novel Key Holder", Popular Mechanics, Jan. 1923, p. 161, http://books.google.com/books?id=YnoDAAAAMBAJ&pg=PA3&source=gbs_toc&cad=2#v=onepage&q&f=false, printed Apr. 15, 2015.
 Crew, "My New Custom 'Multi-Key', Made From a Gerber Curve!", Dec. 1, 2010, EDCforums.com, <http://edcforums.com/threads/my-new-custom-multi-key-made-from-a-gerber-curve.78923/>, printed Apr. 15, 2015.
 LEGOMAN0721, "Keychain Pics, Part 1", Nov. 24, 2010, EDCforums.com, <http://edcforums.com/threads/keychain-pics-part-1.36092/page-83>, printed Apr. 15, 2015.
 Anonymous, "Switchkey", http://www.switchkey.ca/Switchkey_MFG/The_Switchkey_Manufacturing_Company_-_Niagara_Falls_Canada.html, printed Apr. 15, 2015.
 Cineik, "K-Addict", Jun. 11, 2013, Kickstarter.com, <https://www.kickstarter.com/projects/cineik/k-addict>, printed Apr. 15, 2015.
 Reconscious, "Friendly Folding Keychain", Jun. 28, 2009, instructables.com, <http://www.instructables.com/id/Friendly-Folding-Keychain>, printed Apr. 15, 2015.
 Doherty, W., "Swiss Army Style Pocket Key Organizer", Etsy.com, May 6, 2013, reprinted May 15, 2015.

* cited by examiner



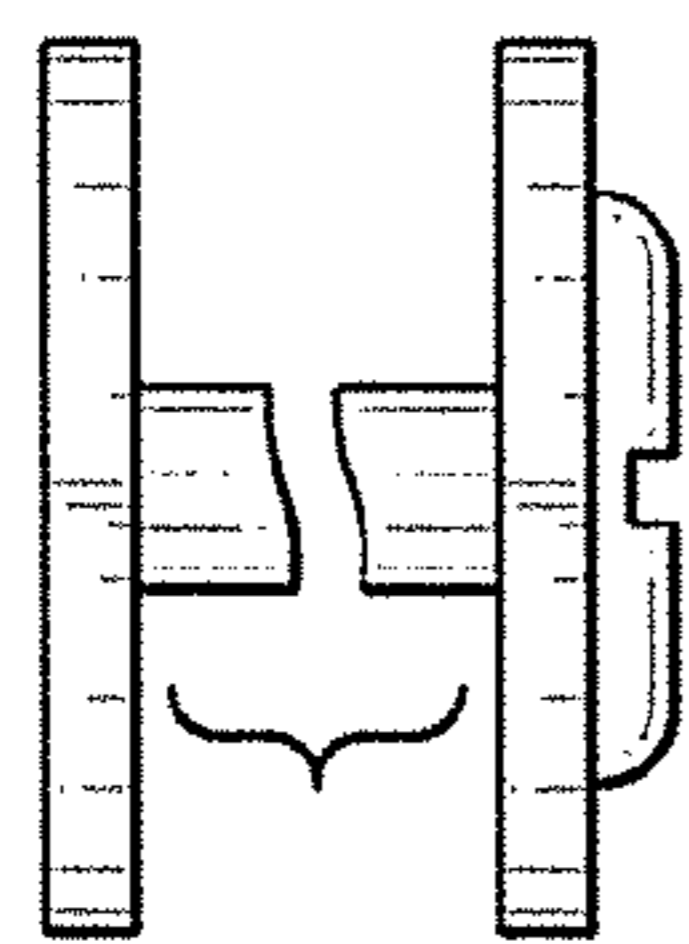


FIG. 2

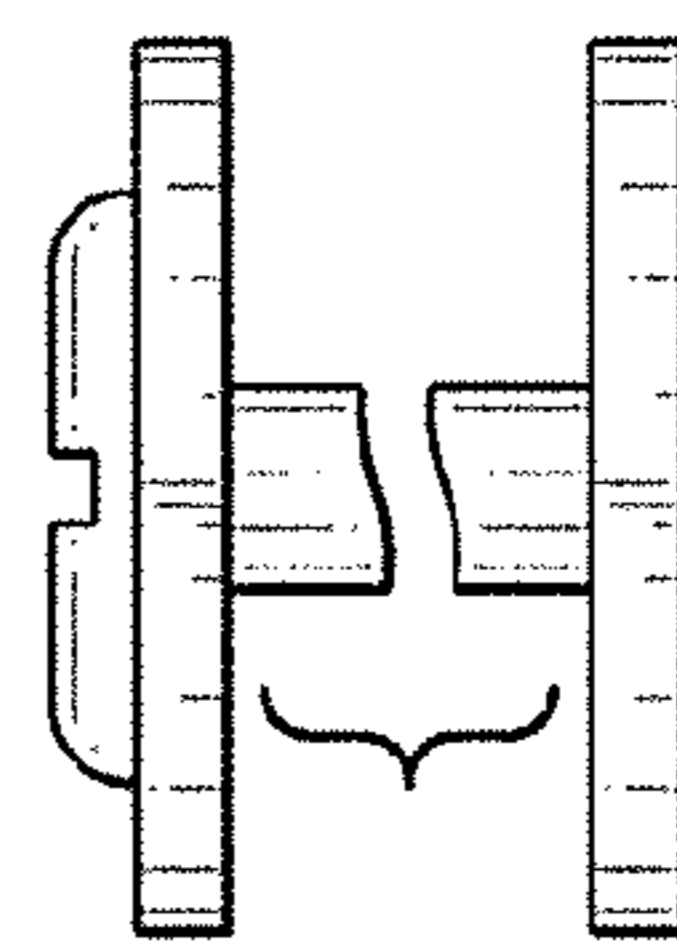


FIG. 3

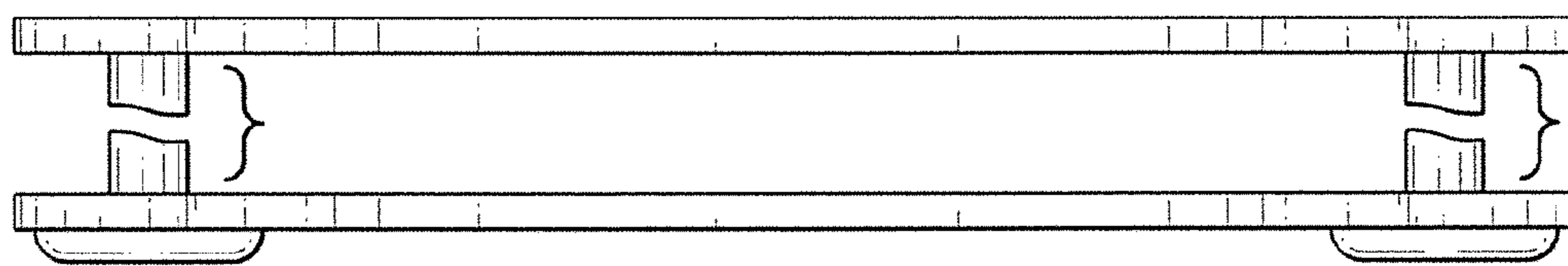


FIG. 4

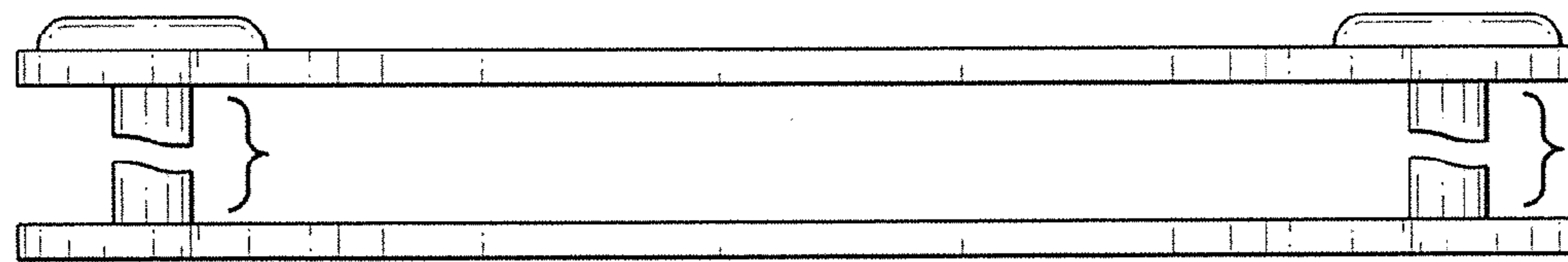


FIG. 5

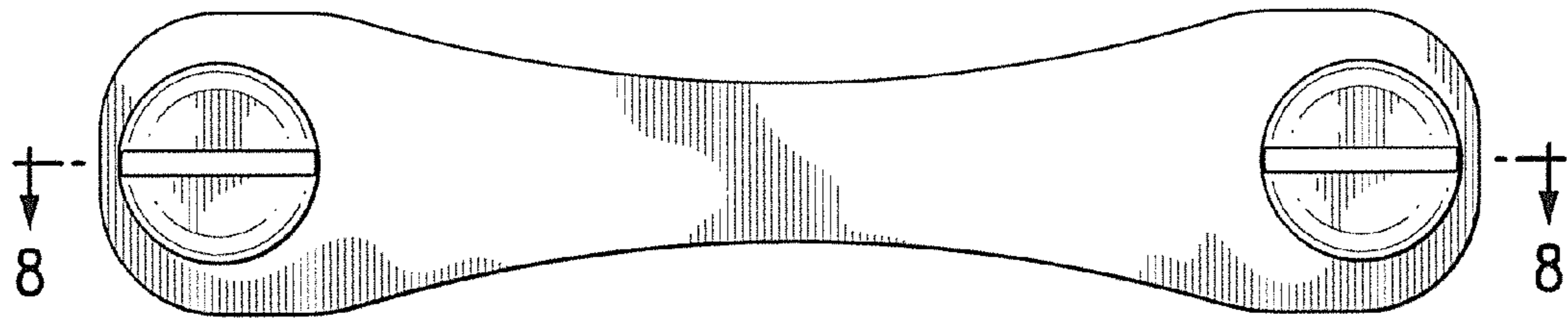


FIG. 6

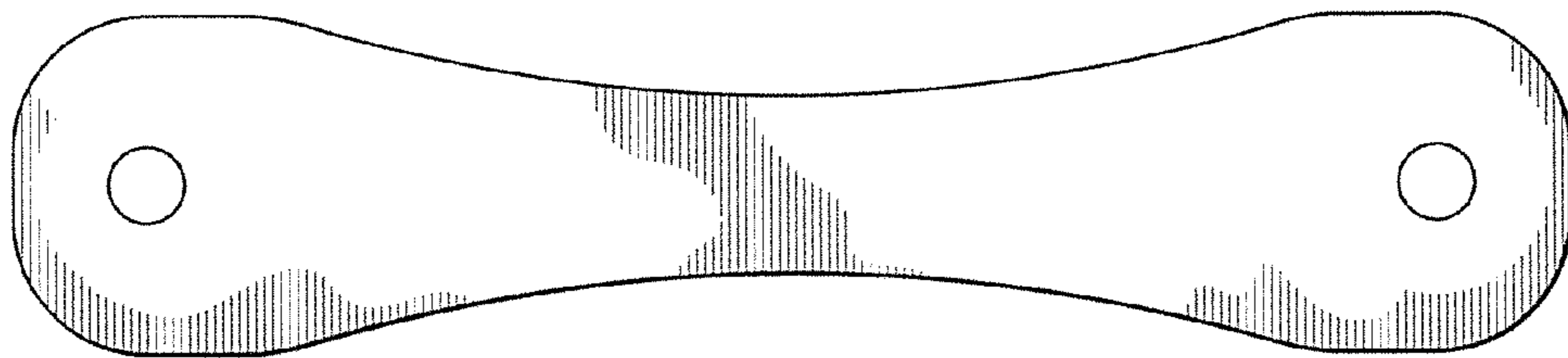


FIG. 7

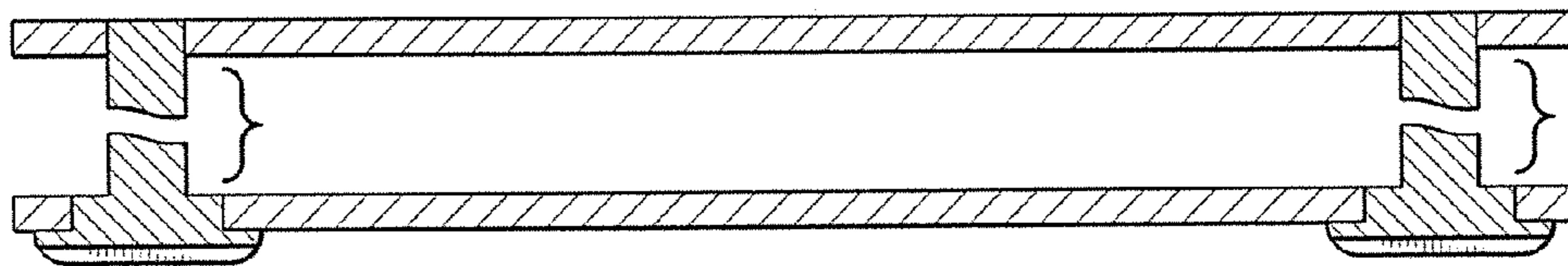


FIG. 8

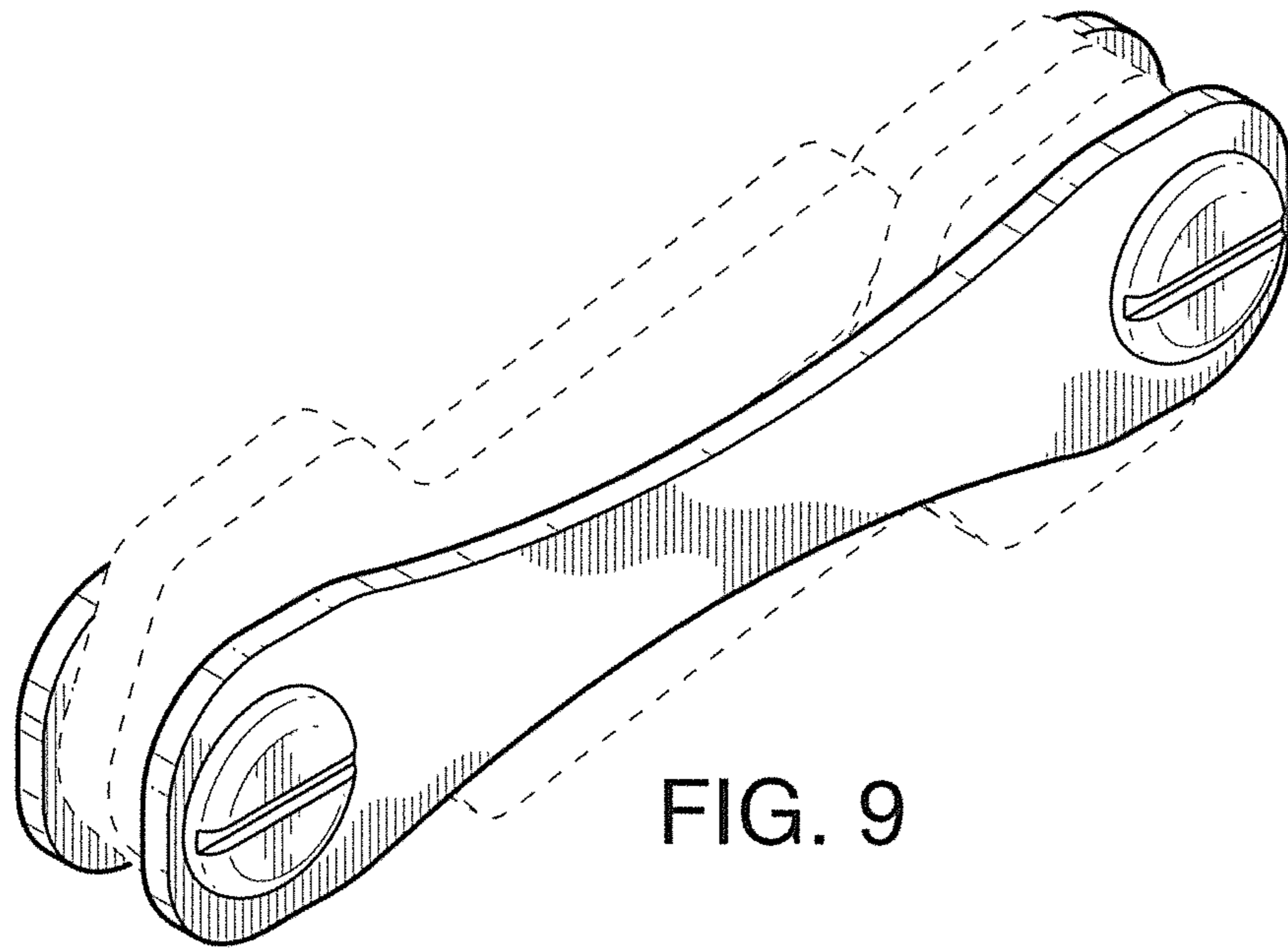


FIG. 9

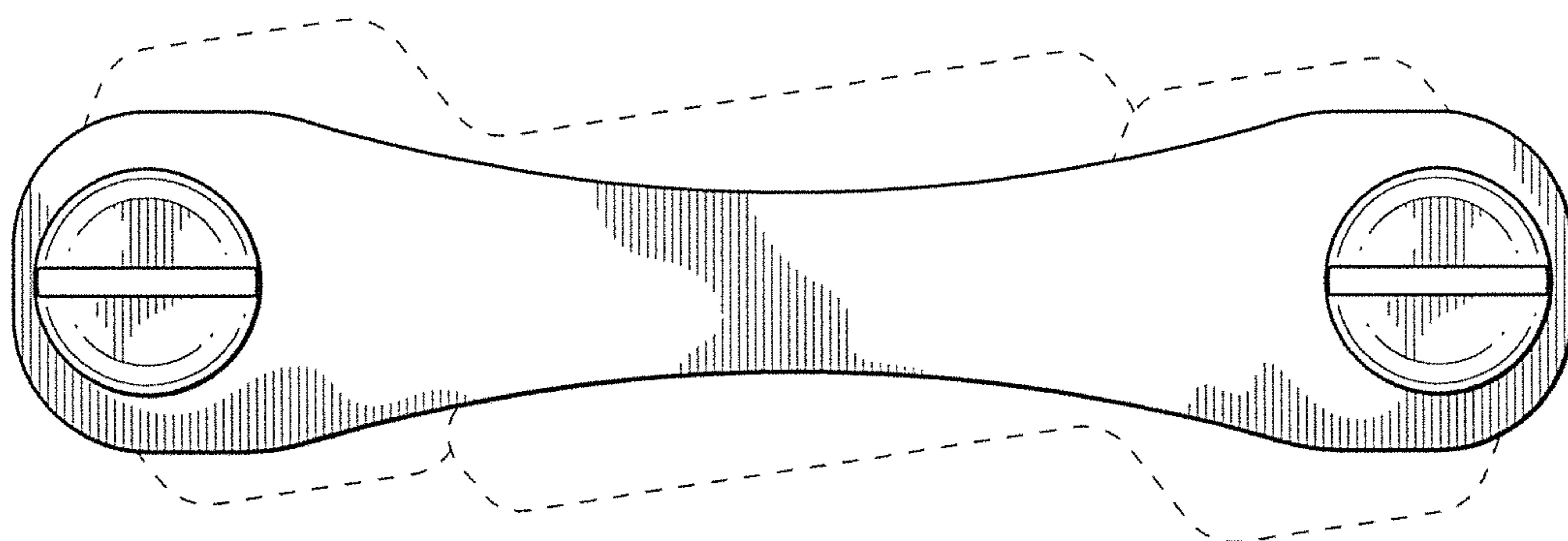


FIG. 10

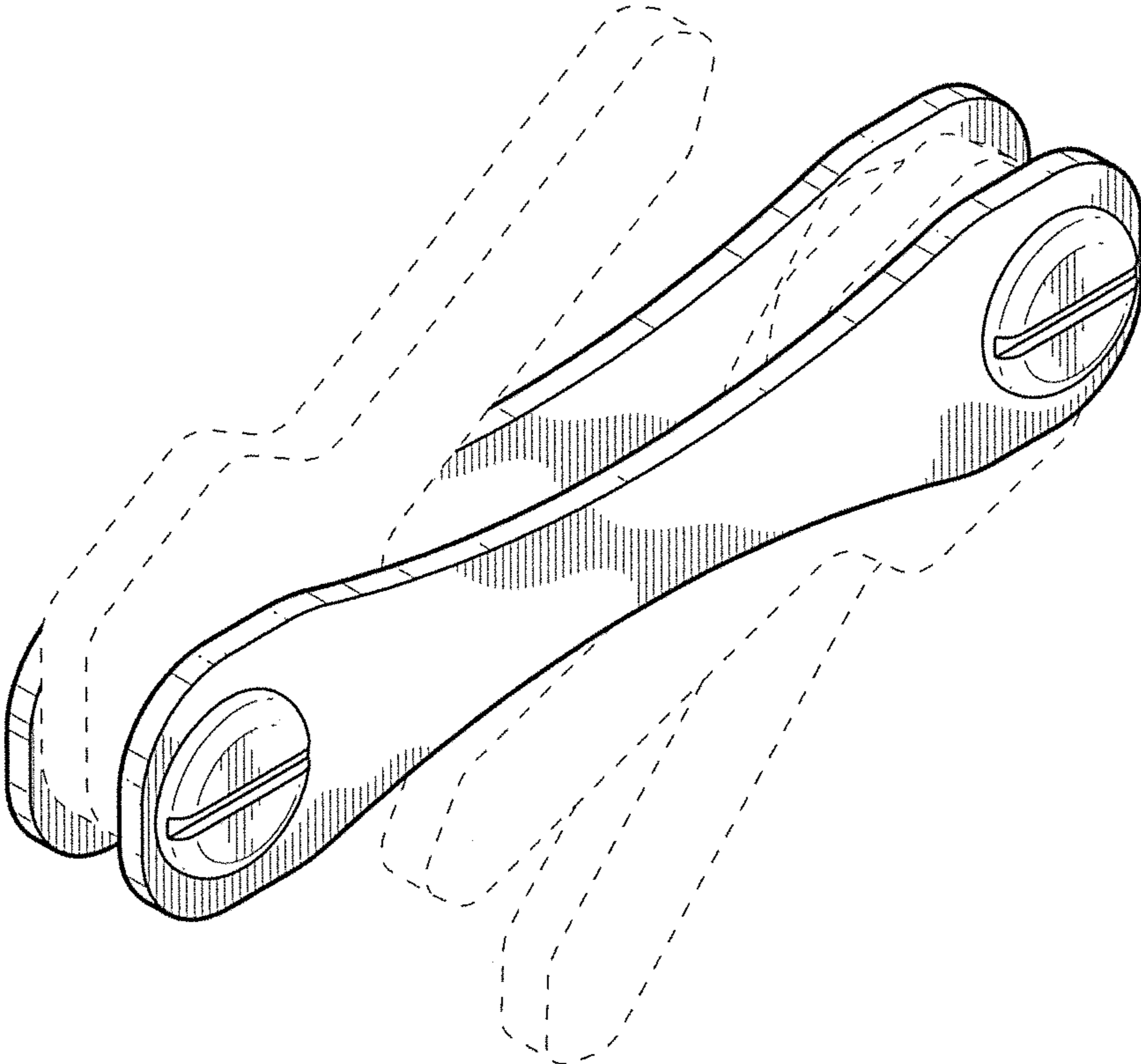


FIG. 11

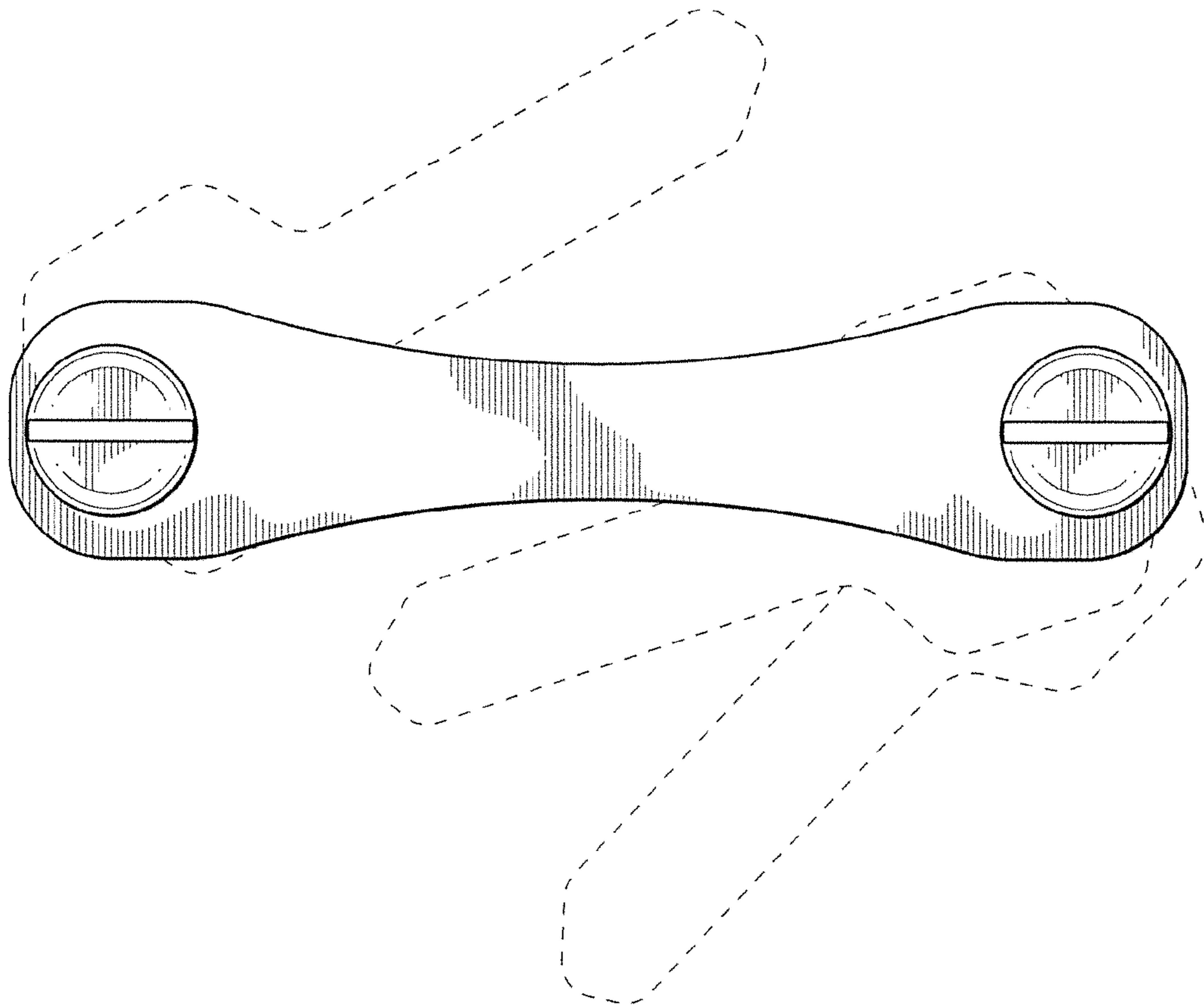


FIG. 12