



US00D756628S

(12) **United States Design Patent**
Lande

(10) **Patent No.:** **US D756,628 S**

(45) **Date of Patent:** **** May 24, 2016**

(54) **MEDICAL SAFETY CONTAINER**

(71) Applicant: **RALANDE Group LLC**, Los Angeles, CA (US)

(72) Inventor: **Rebecca Lande**, Los Angeles, CA (US)

(73) Assignee: **RALANDE GROUP LLC**, Los Angeles, CA (US)

(**) Term: **14 Years**

(21) Appl. No.: **29/522,233**

(22) Filed: **Mar. 27, 2015**

(51) **LOC (10) Cl.** **03-01**

(52) **U.S. Cl.**

USPC **D3/203.2**

(58) **Field of Classification Search**

USPC D3/201, 203.1, 203.2; D24/227;
D9/560, 420, 432, 453; 206/528, 539,
206/533, 540; 224/239, 241; 220/4.24

CPC B65D 85/42; B65D 83/0445; B65D
83/0454; B65D 21/0234

See application file for complete search history.

(56) **References Cited**

U.S. PATENT DOCUMENTS

D195,434 S * 6/1963 Mojonnier et al. D9/523
3,142,422 A * 7/1964 Mojonnier B65D 21/0231
206/509

(Continued)

Primary Examiner — John Windmuller

Assistant Examiner — Steven Czyz

(74) *Attorney, Agent, or Firm* — AEON Law; Adam L.K. Philipp

(57) **CLAIM**

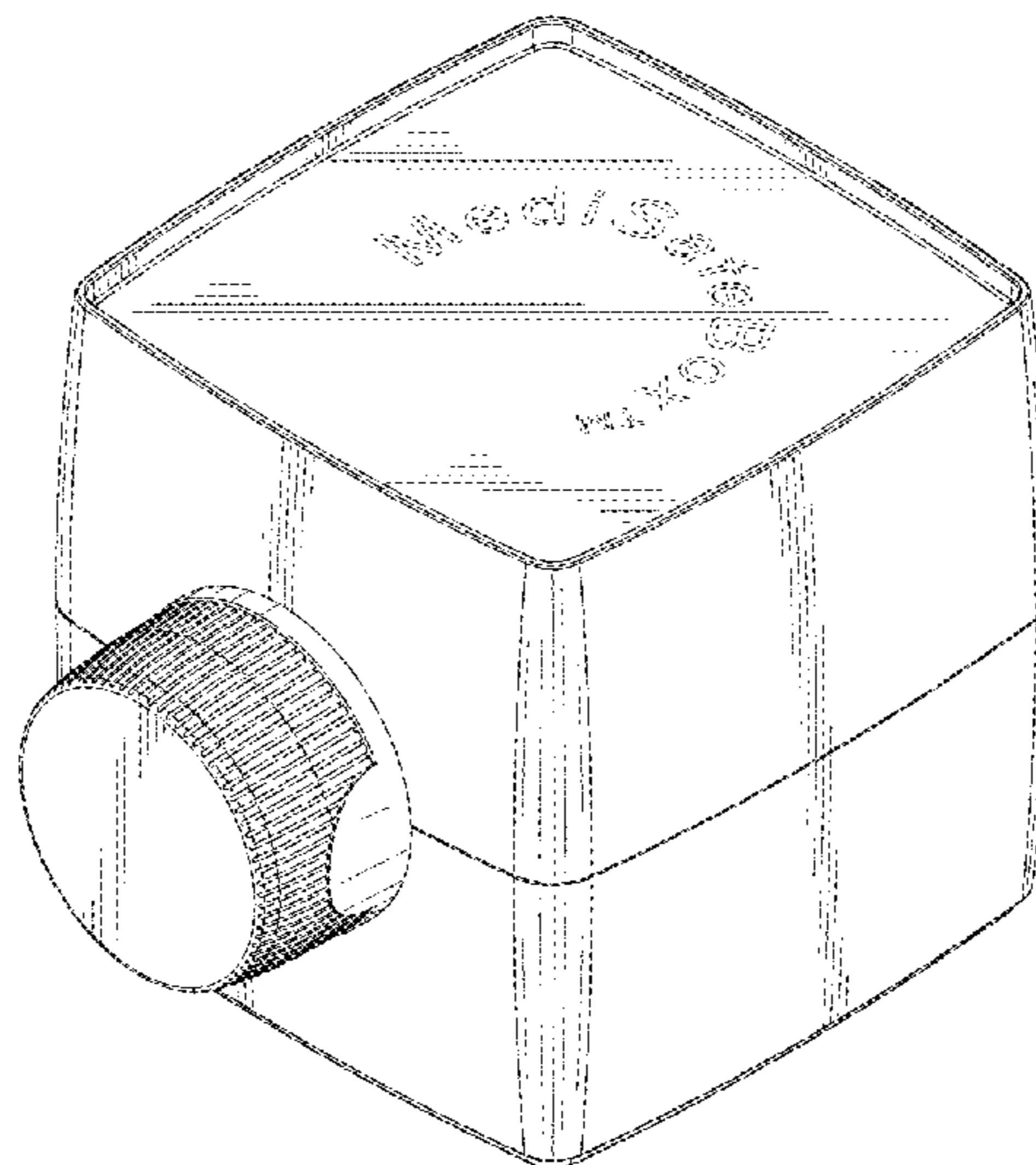
An ornamental design for a medical safety container, as shown and described.

DESCRIPTION

FIG. 1 is a perspective view from above showing my new design of a medical safety container in an unsecure closed position with a separate squeeze cap lid; FIG. 2 is a rear perspective view of FIG. 1; FIG. 3 is a top plan view of FIG. 1; FIG. 4 is a left side plan view of FIG. 1; FIG. 5 is a right side plan view of FIG. 1; FIG. 6 is a bottom plan view of FIG. 1; FIG. 7 is a front plan view of FIG. 1 with the squeeze cap in an alternate state; FIG. 8 is a rear plan view of FIG. 1 with the squeeze cap in an alternate state; FIG. 9 is a perspective view from above showing the medical safety container in a secure closed position with the cap lid attached to threaded closure; FIG. 10 is a rear perspective view of FIG. 9; FIG. 11 is a top plan view of FIG. 9; FIG. 12 is a left side plan view of FIG. 9; FIG. 13 is a right side plan view of FIG. 9; FIG. 14 is a bottom plan view of FIG. 9; FIG. 15 is a front plan view of FIG. 9; FIG. 16 is a rear plan view of FIG. 9; FIG. 17 is a perspective view from above showing the medical safety container in an open position; FIG. 18 is a perspective view from below of FIG. 17; FIG. 19 is a top plan view of FIG. 17; FIG. 20 is a front plan view of FIG. 17; FIG. 21 is a rear plan view of FIG. 17; FIG. 22 is a bottom plan view of FIG. 17; and, FIG. 23 is a side plan view of FIG. 17.

A medical safety container as illustrated with a threaded cap closure. The illustrated medical container shows a round threaded closure that when coupled with a squeeze safety cap lid to keep the container in a secure closed position. The broken lines depict portions of the article that form no part of the claimed design.

1 Claim, 11 Drawing Sheets



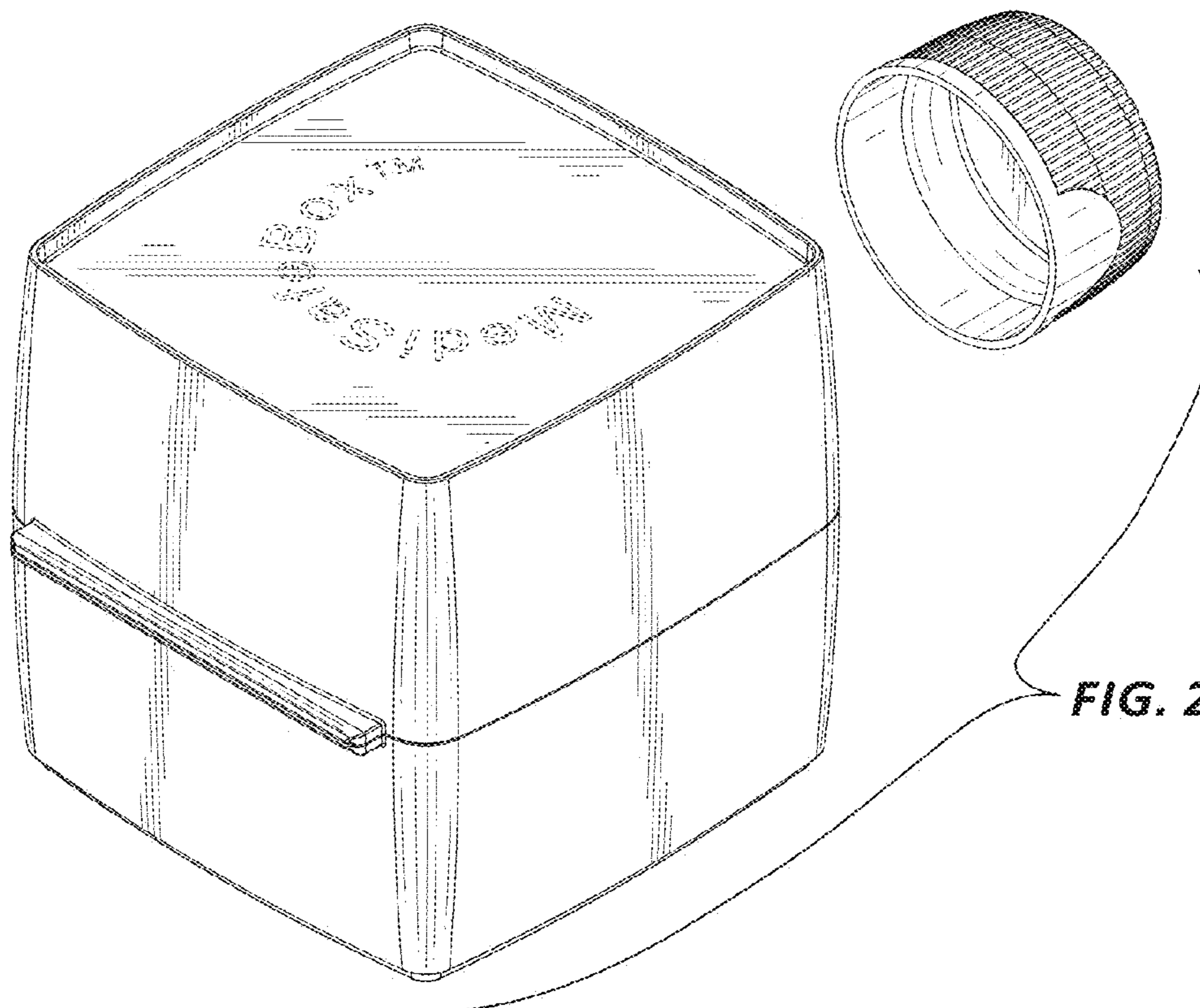
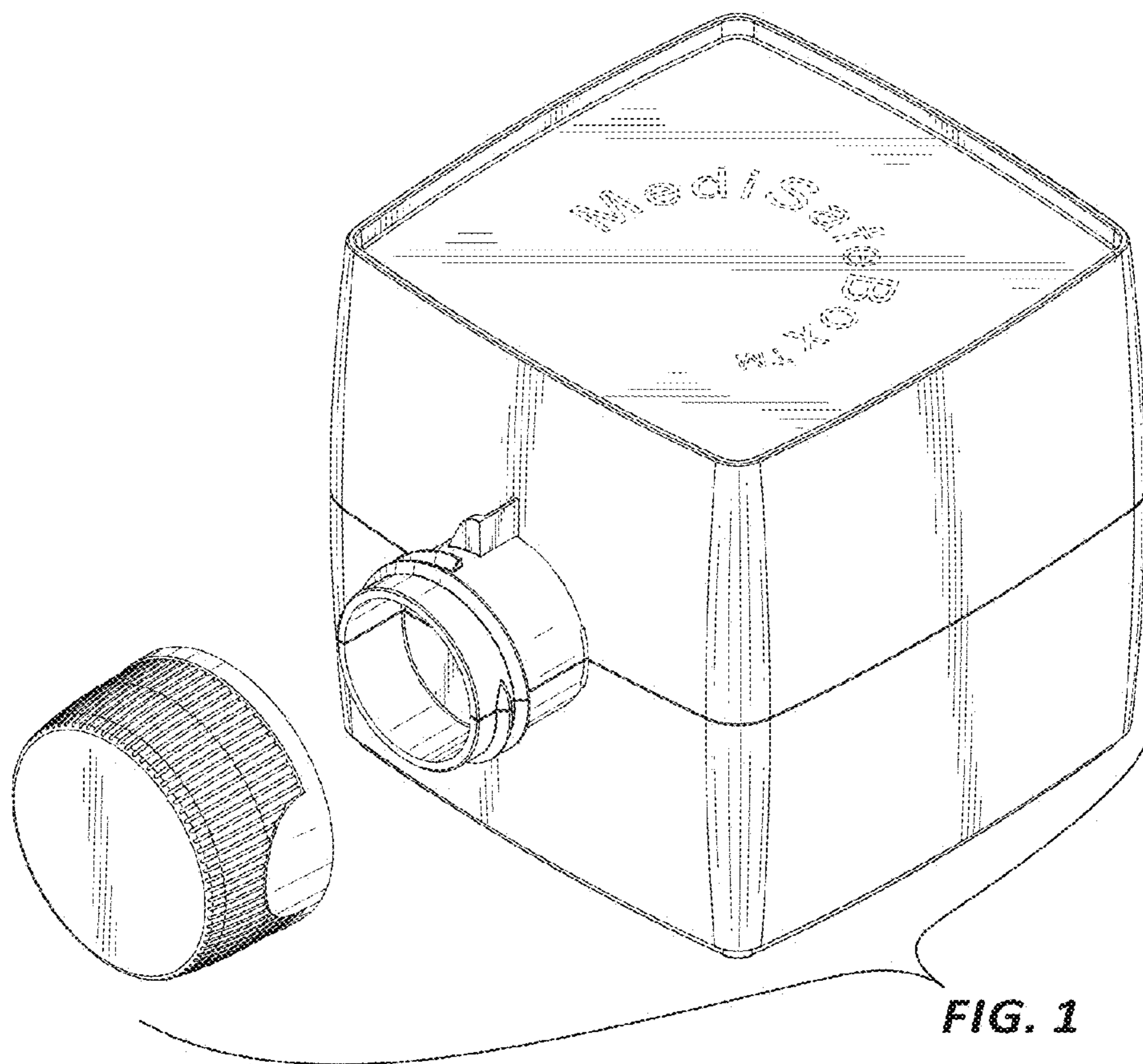
(56)

References Cited

U.S. PATENT DOCUMENTS

D232,523	S *	8/1974	Nudell et al.	D3/203.3
4,012,087	A *	3/1977	Edwards, Jr.	B42F 17/08 206/425
D254,720	S *	4/1980	Schuander	D9/423
4,226,358	A *	10/1980	Ottow	B65D 75/322 206/526
D333,157	S *	2/1993	Kirchner	D19/75
D334,499	S *	4/1993	Meisner	D3/302
5,782,358	A *	7/1998	Walker	B65D 21/0231 206/509
D414,969	S *	10/1999	Marino	D6/515
D419,803	S *	2/2000	van Bakel	D6/512
D425,294	S *	5/2000	Haverstick	D3/203.1
D473,789	S *	4/2003	Crawford	D9/430
D481,640	S *	11/2003	Biesecker	D9/560
D484,646	S *	12/2003	Ditrichstein	D28/83
D494,476	S *	8/2004	Cwynar-Laska	D9/560
D525,714	S *	7/2006	Ueda	D24/227
D531,514	S *	11/2006	Harris	D21/499
D561,989	S *	2/2008	Jones	D3/201
D604,605	S *	11/2009	Chung	D9/432
D612,148	S *	3/2010	Treece	D3/203.1
D625,911	S *	10/2010	Lee	D3/203.2
D631,649	S *	2/2011	Patenaude	D3/203.1
D636,265	S *	4/2011	Gartner	D9/446
D646,119	S *	10/2011	Deuber	D7/400
D655,079	S *	3/2012	Patenaude	D3/203.1
D663,111	S *	7/2012	Paslowski	D3/203.2
D666,495	S *	9/2012	Biesecker	D9/445
D731,309	S *	6/2015	Lee	D9/432
D733,317	S *	6/2015	Lui	D24/227
D741,058	S *	10/2015	Wiederman	D3/203.2
D742,593	S *	11/2015	Corey	D28/83
D746,483	S *	12/2015	Brandenburger	D24/224
D747,606	S *	1/2016	Serell	D3/203.2
D748,280	S *	1/2016	Lui	D24/227
D748,468	S *	2/2016	Angeloni	D9/420
2002/0121449	A1 *	9/2002	Bowie	A46B 17/02 206/362
2002/0166835	A1 *	11/2002	Carter	B65D 51/28 215/227
2010/0308058	A1 *	12/2010	Moskow	B65D 83/0011 220/524
2015/0008152	A1 *	1/2015	Xu	A61J 1/03 206/538

* cited by examiner



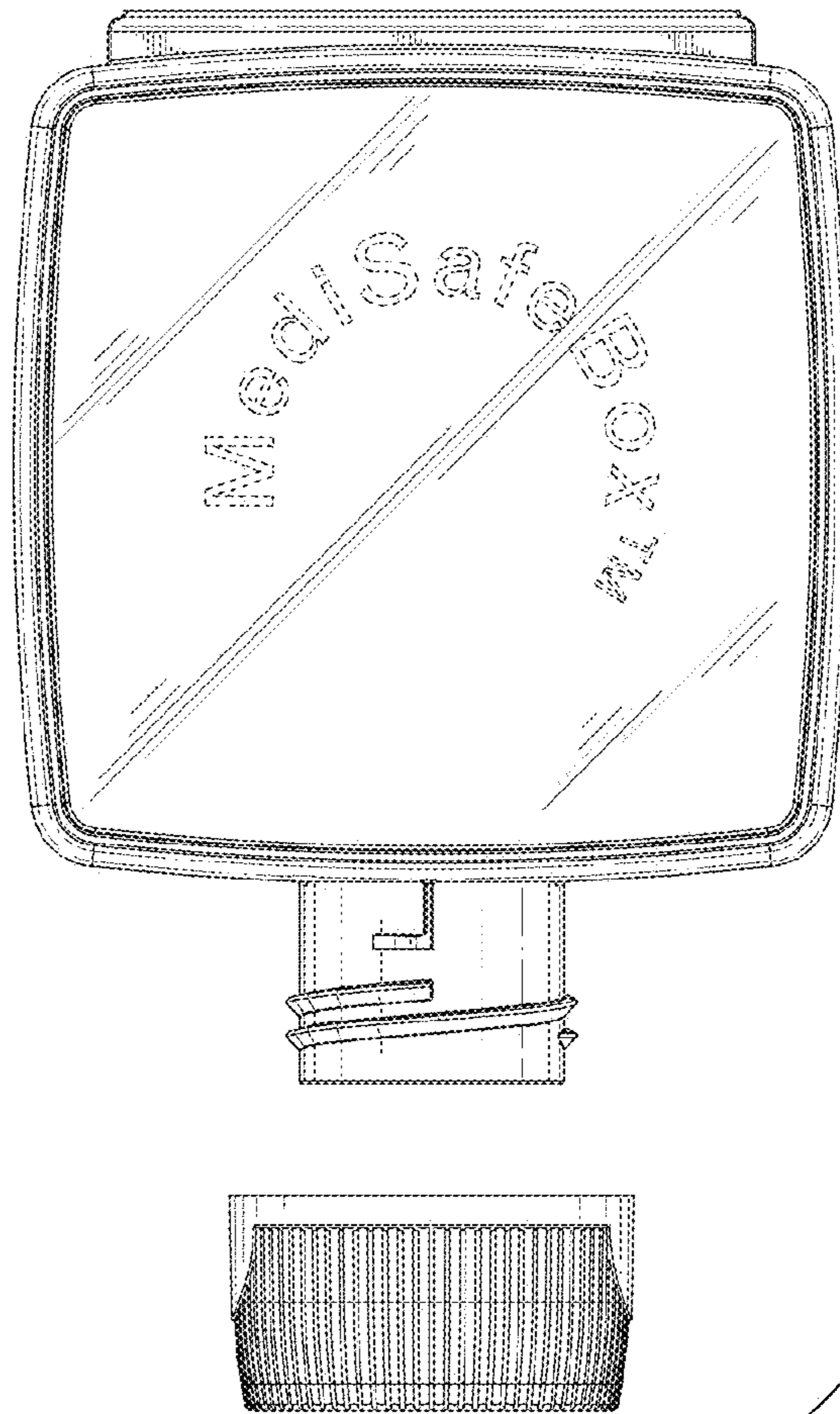


FIG. 3

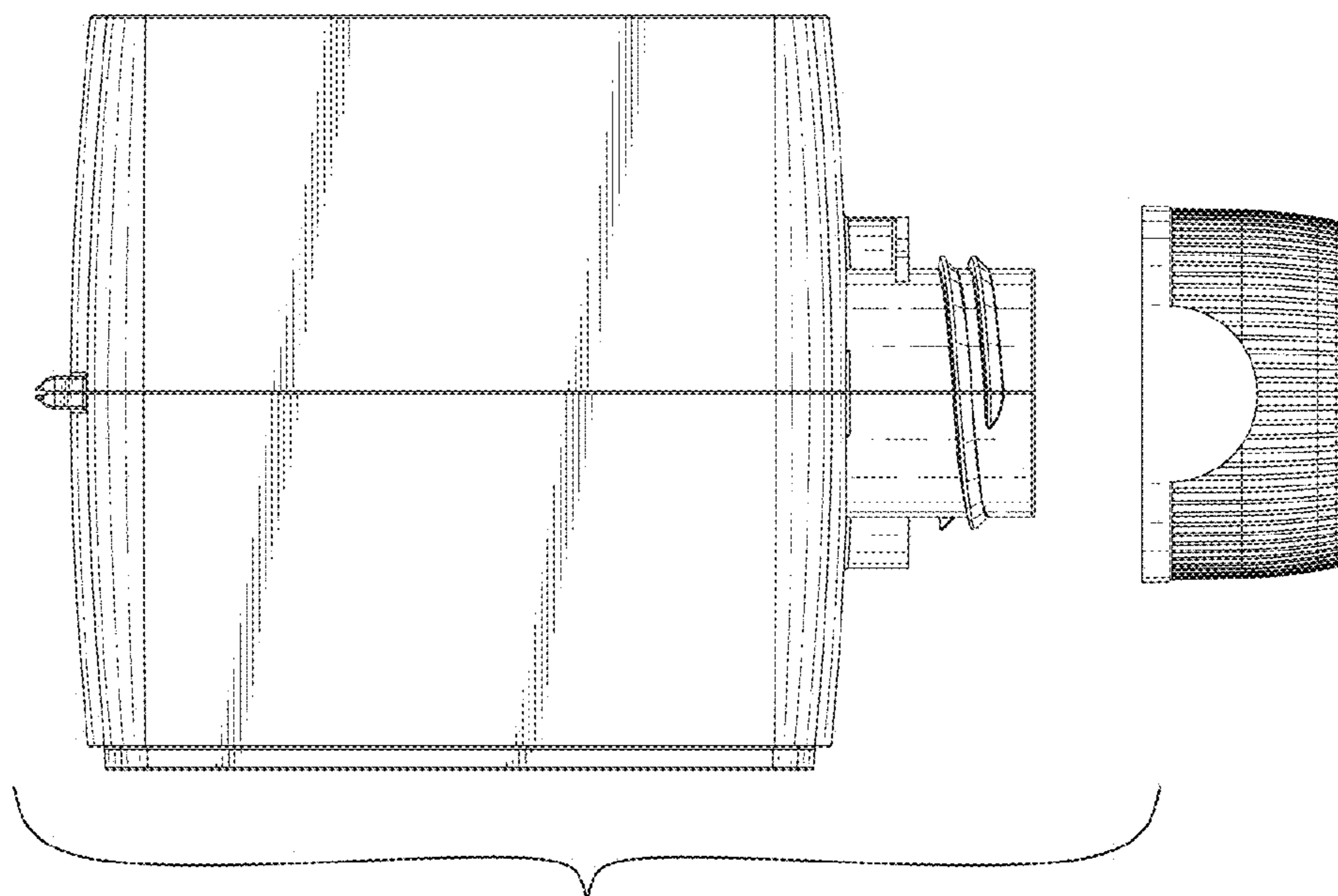


FIG. 4

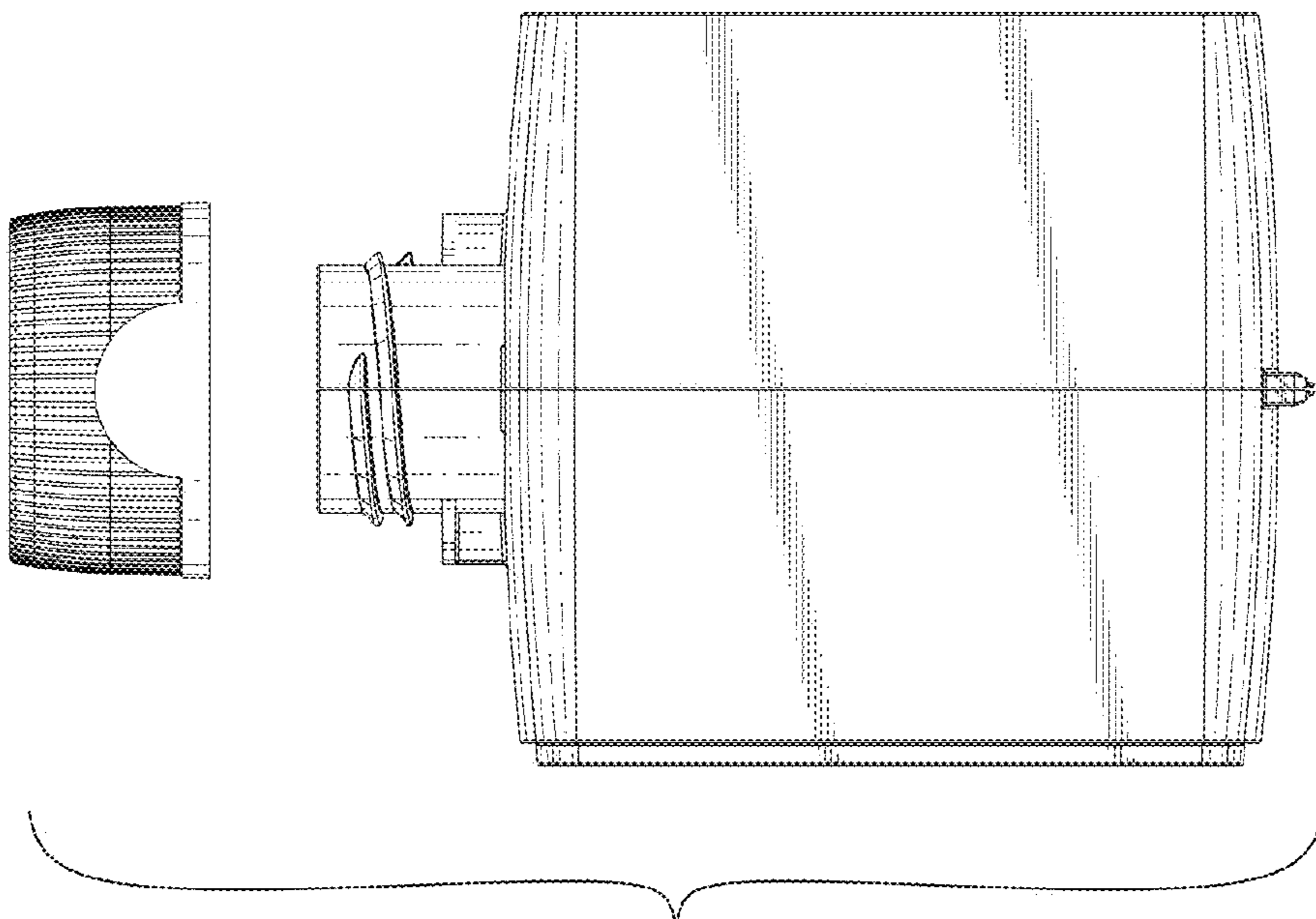


FIG. 5

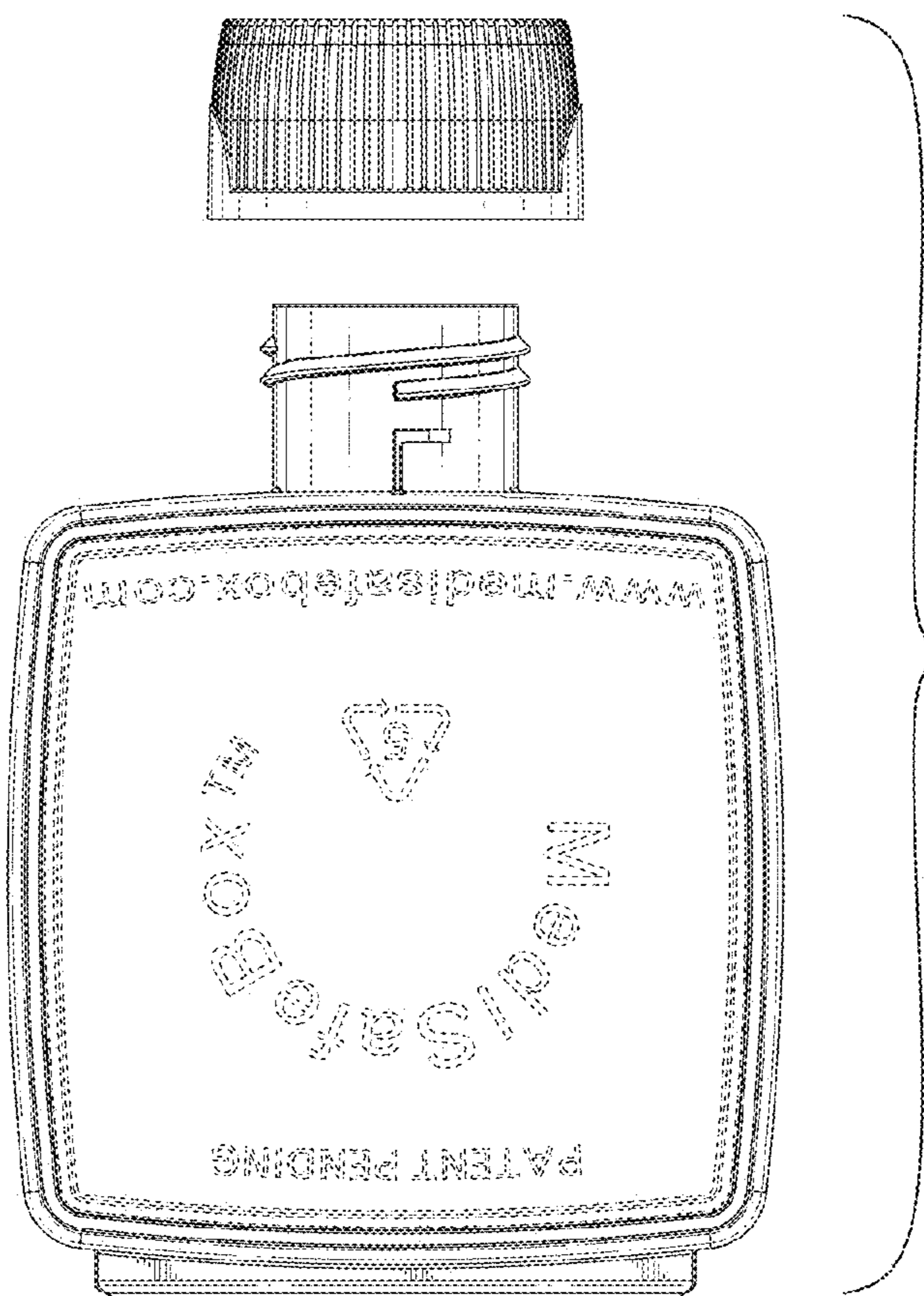


FIG. 6

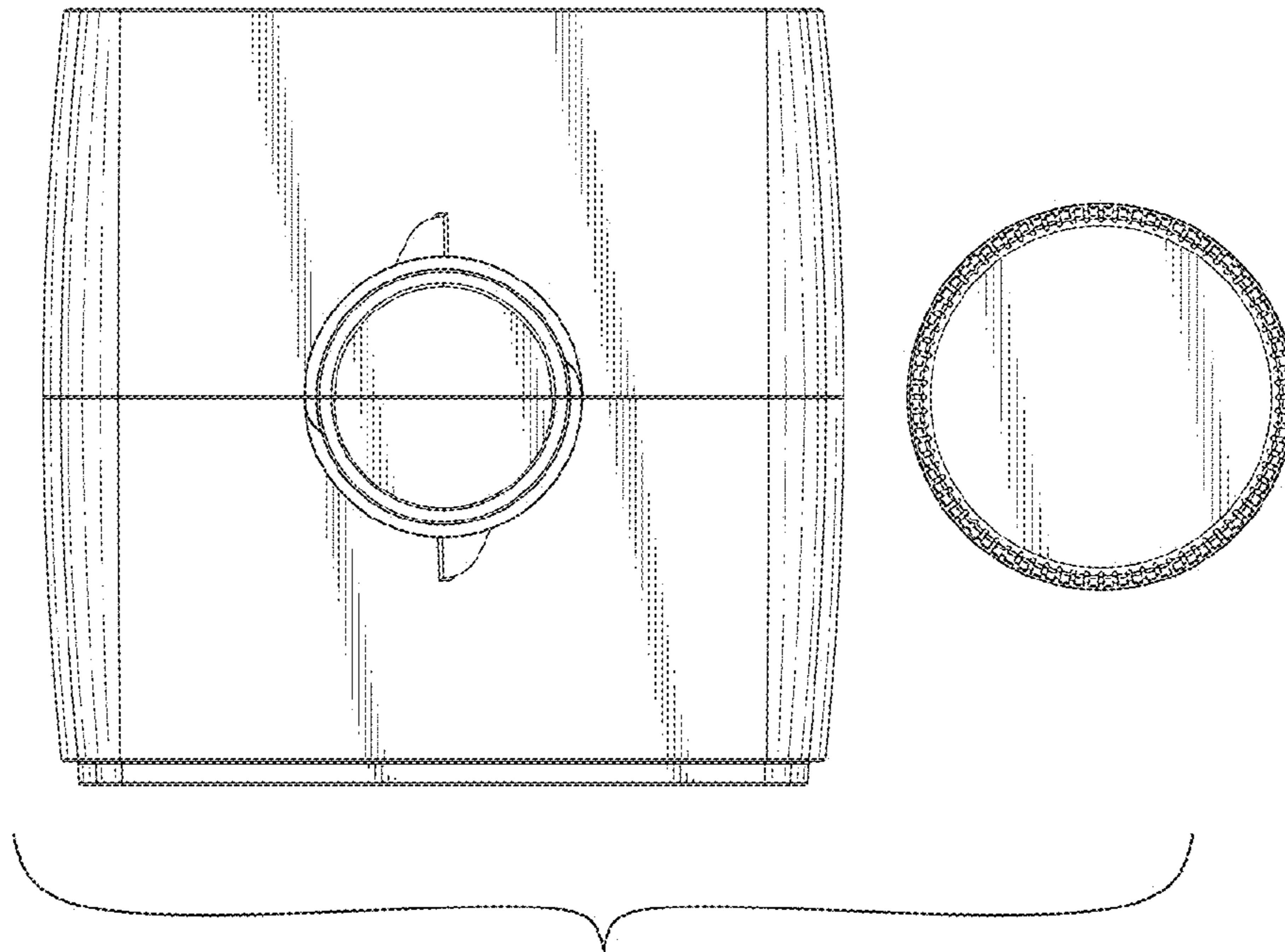


FIG. 7

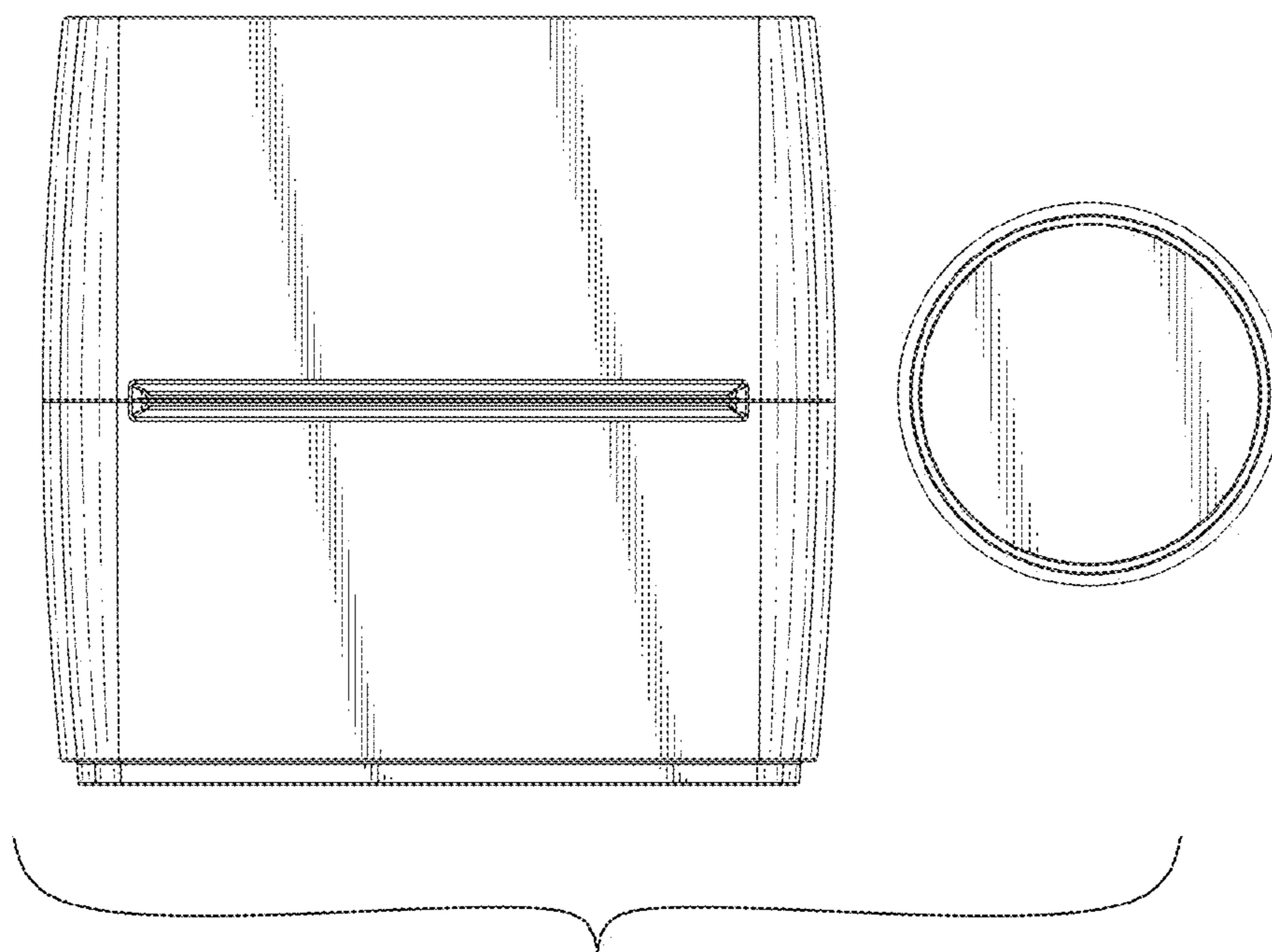


FIG. 8

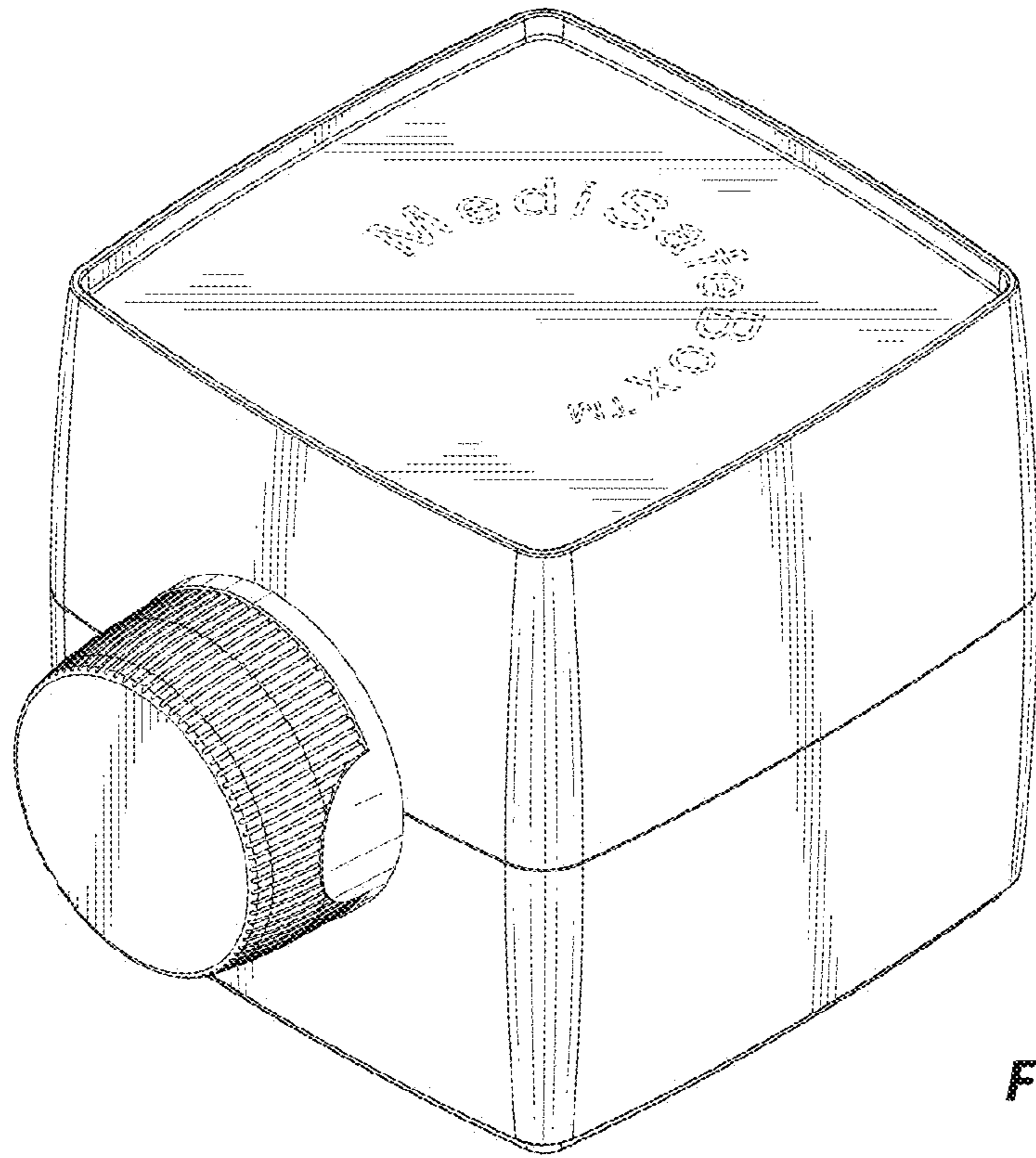


FIG. 9

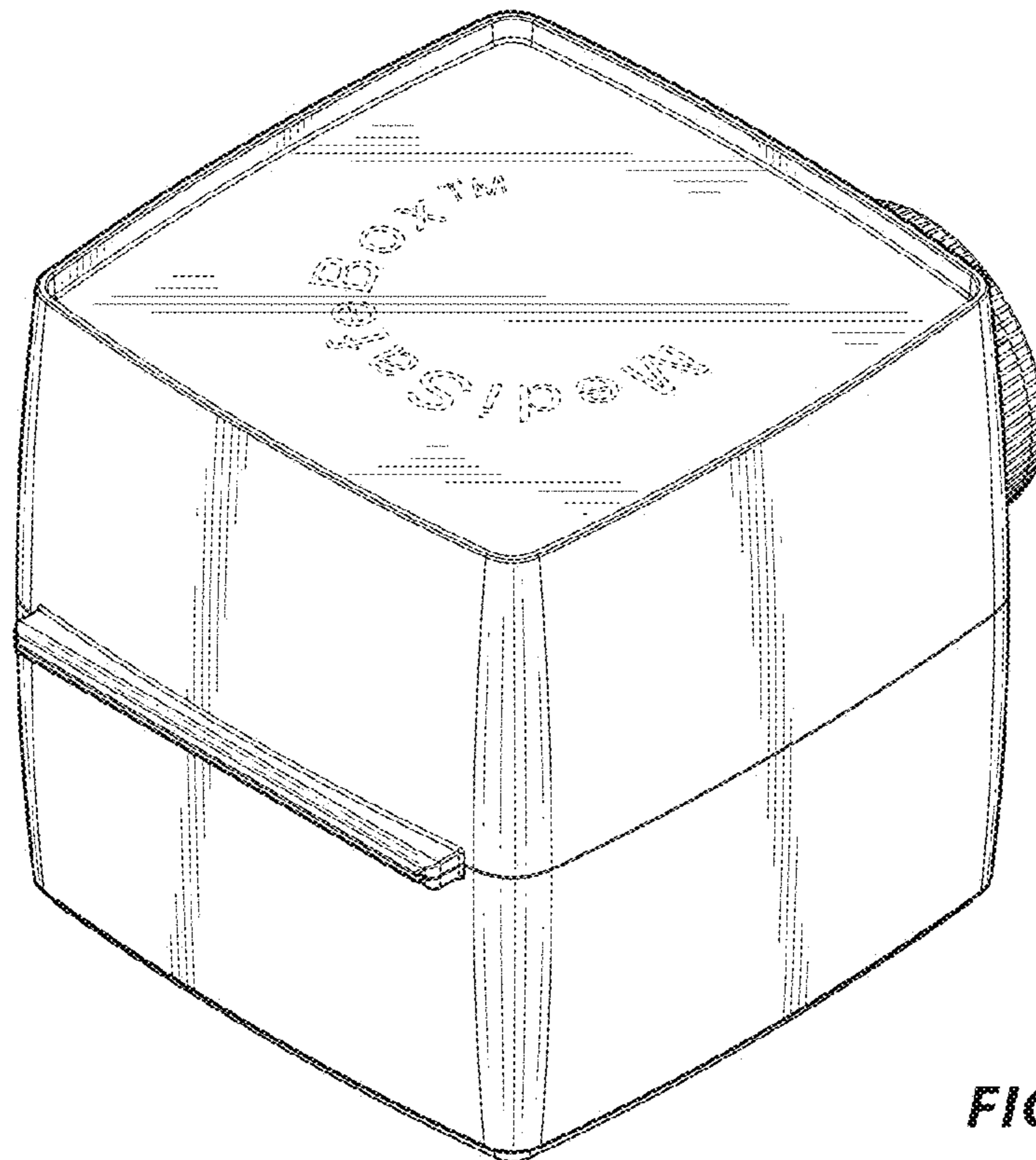


FIG. 10

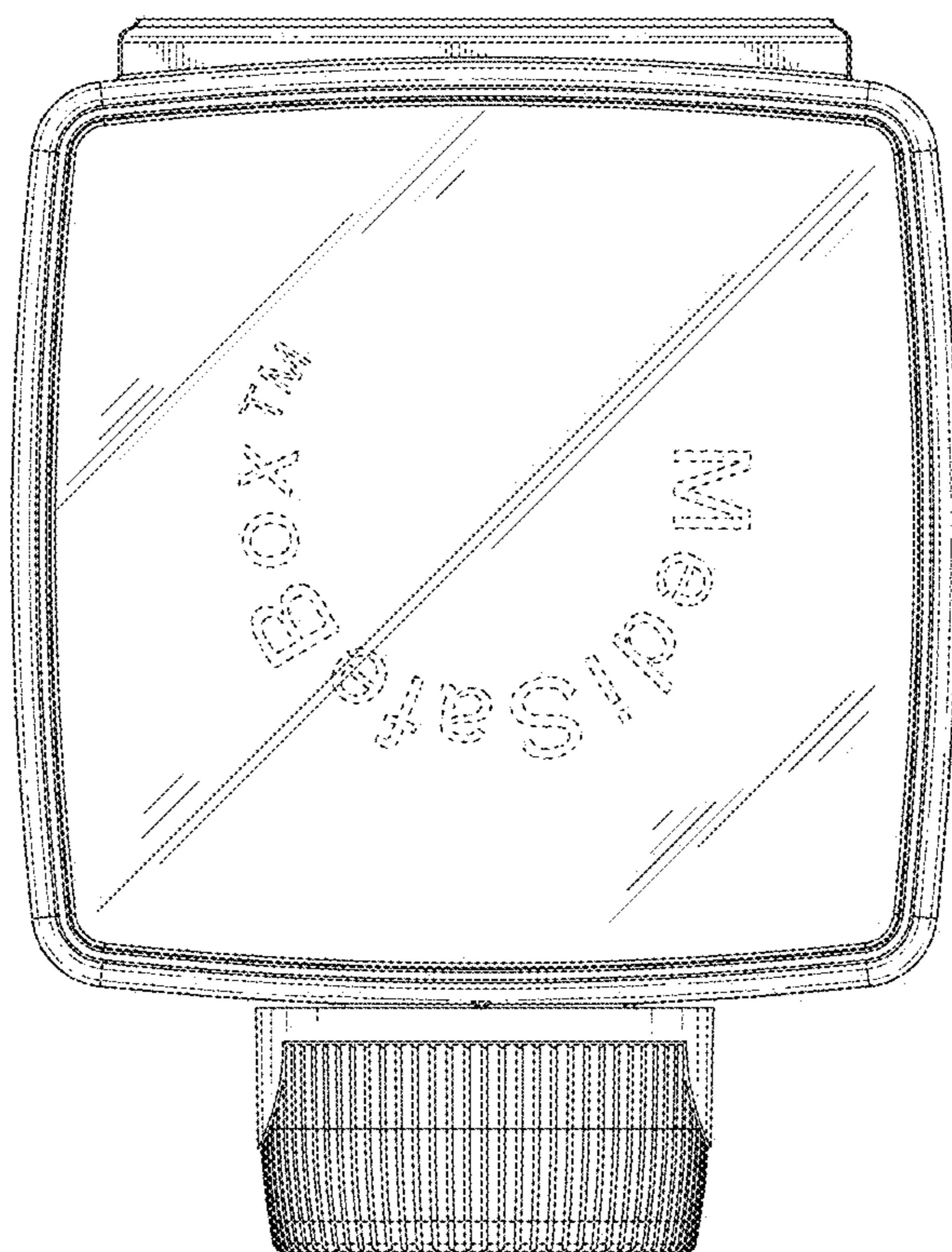


FIG. 11

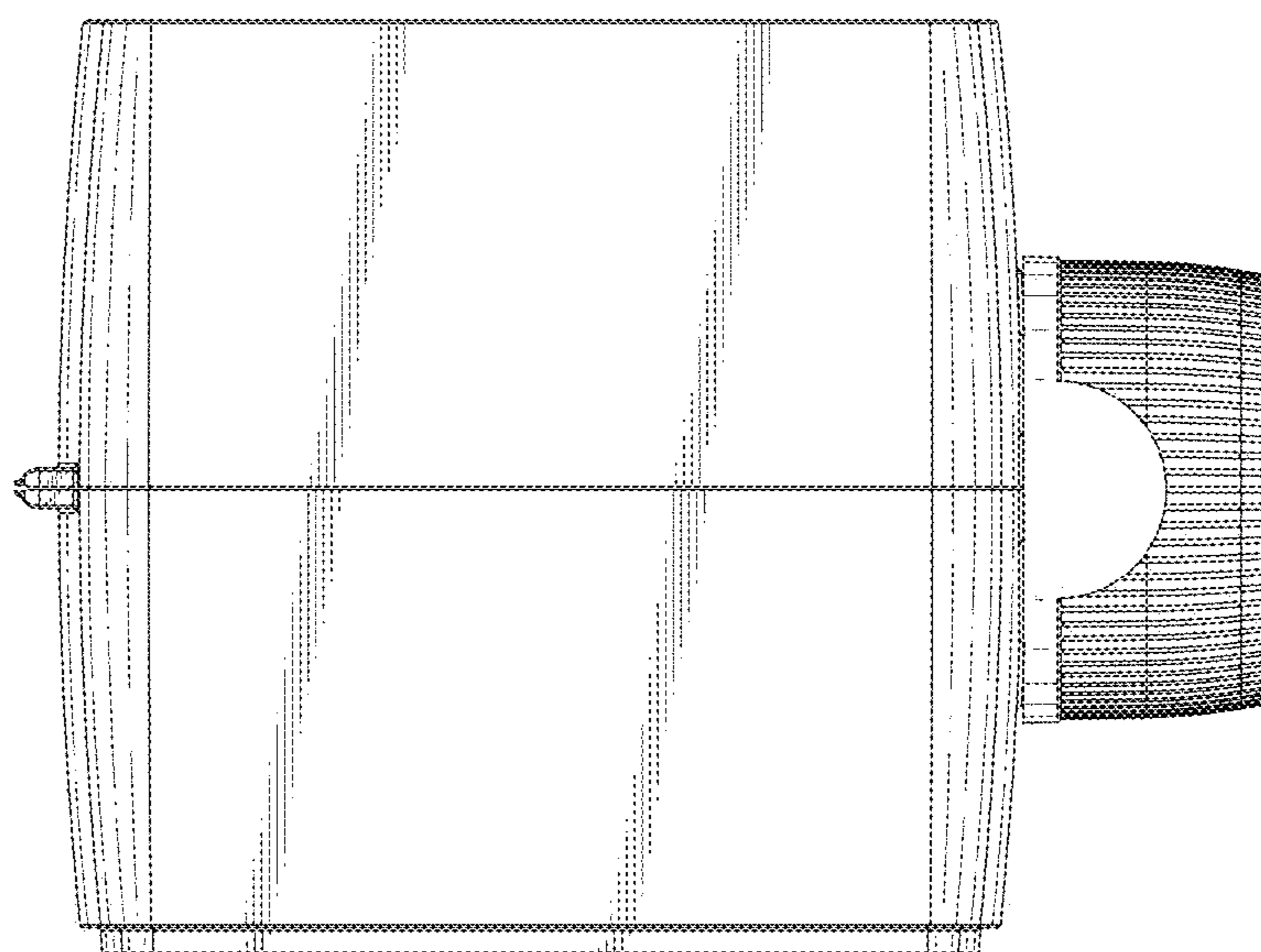


FIG. 12

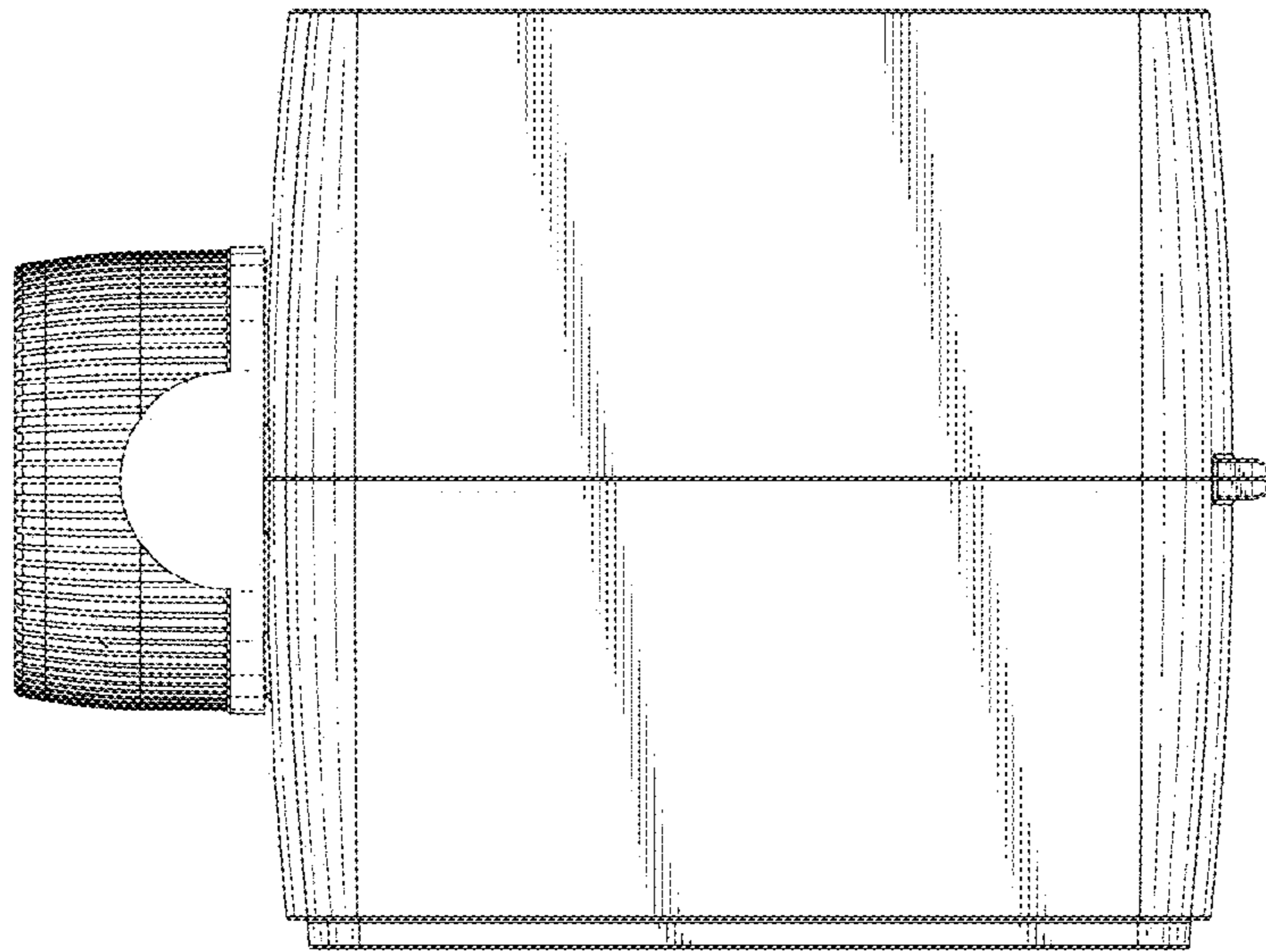


FIG. 13



FIG. 14

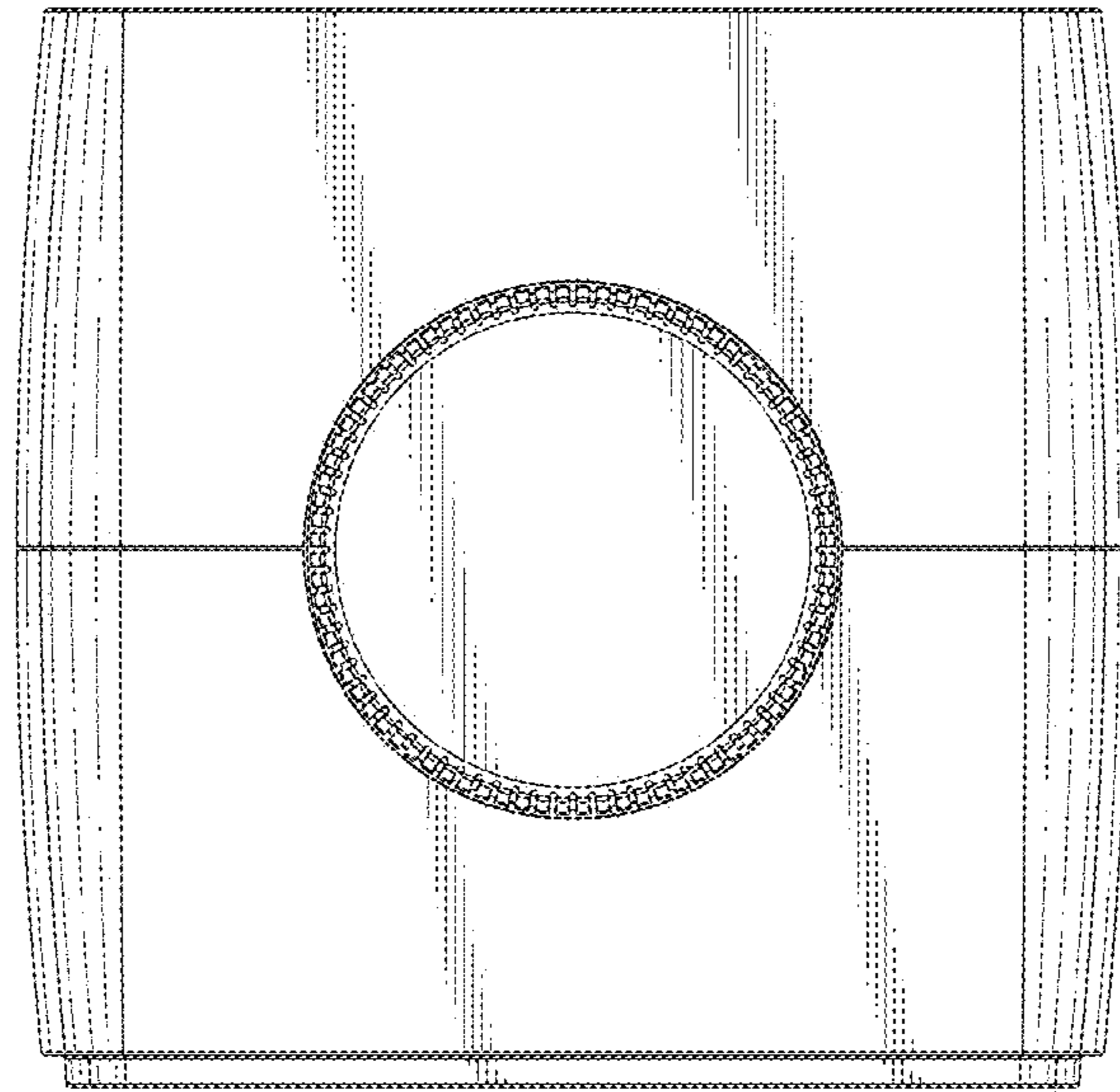


FIG. 15

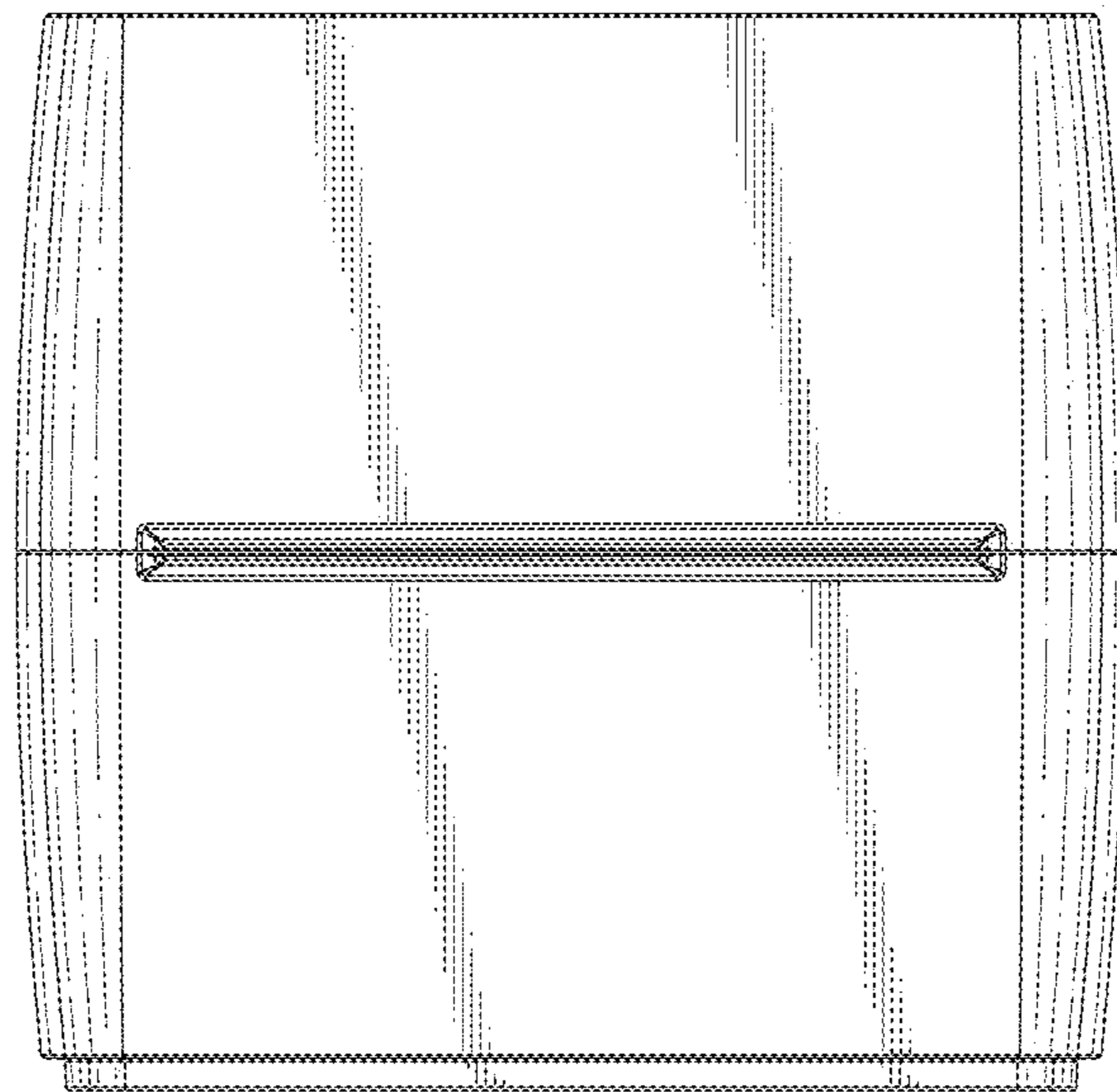


FIG. 16

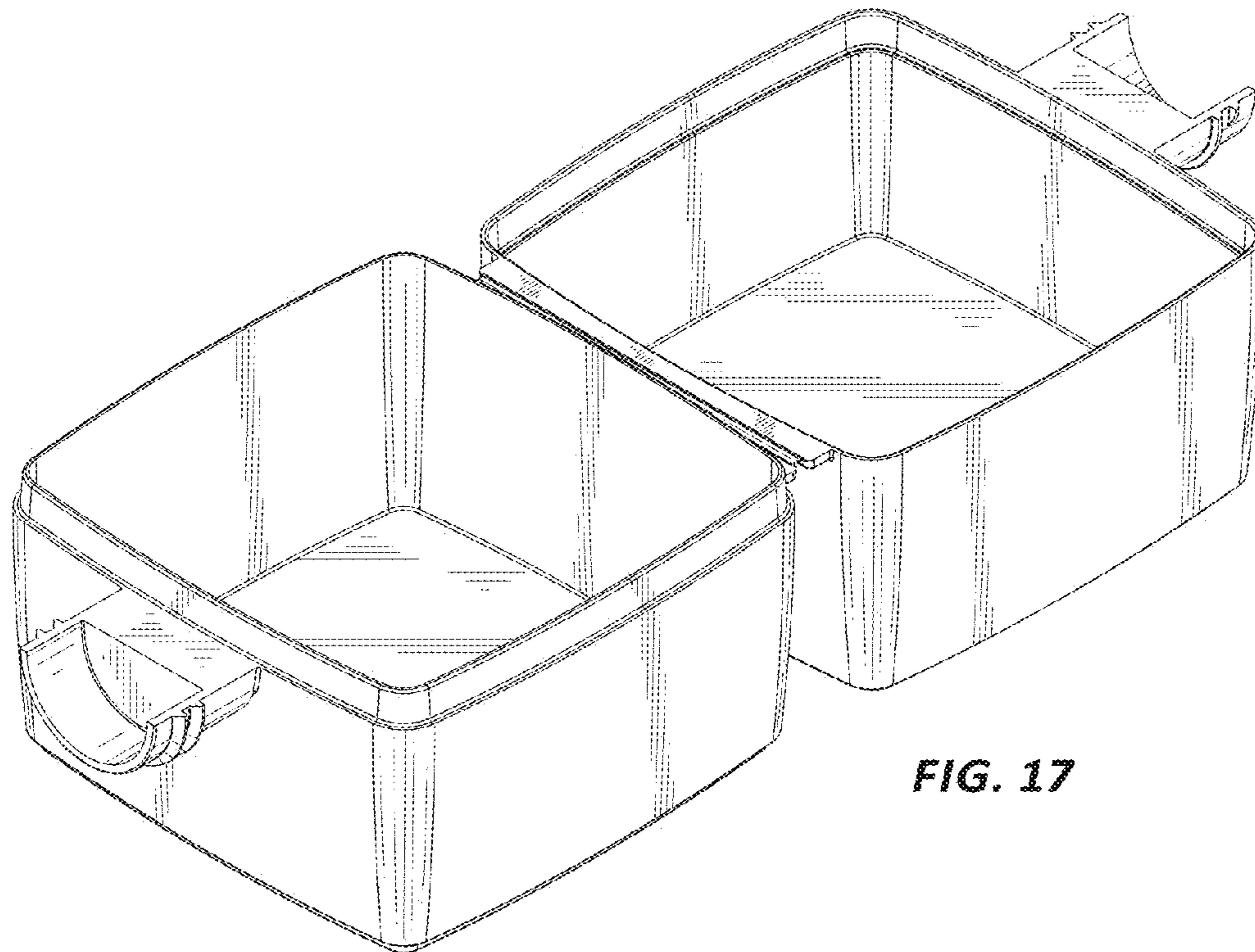


FIG. 17

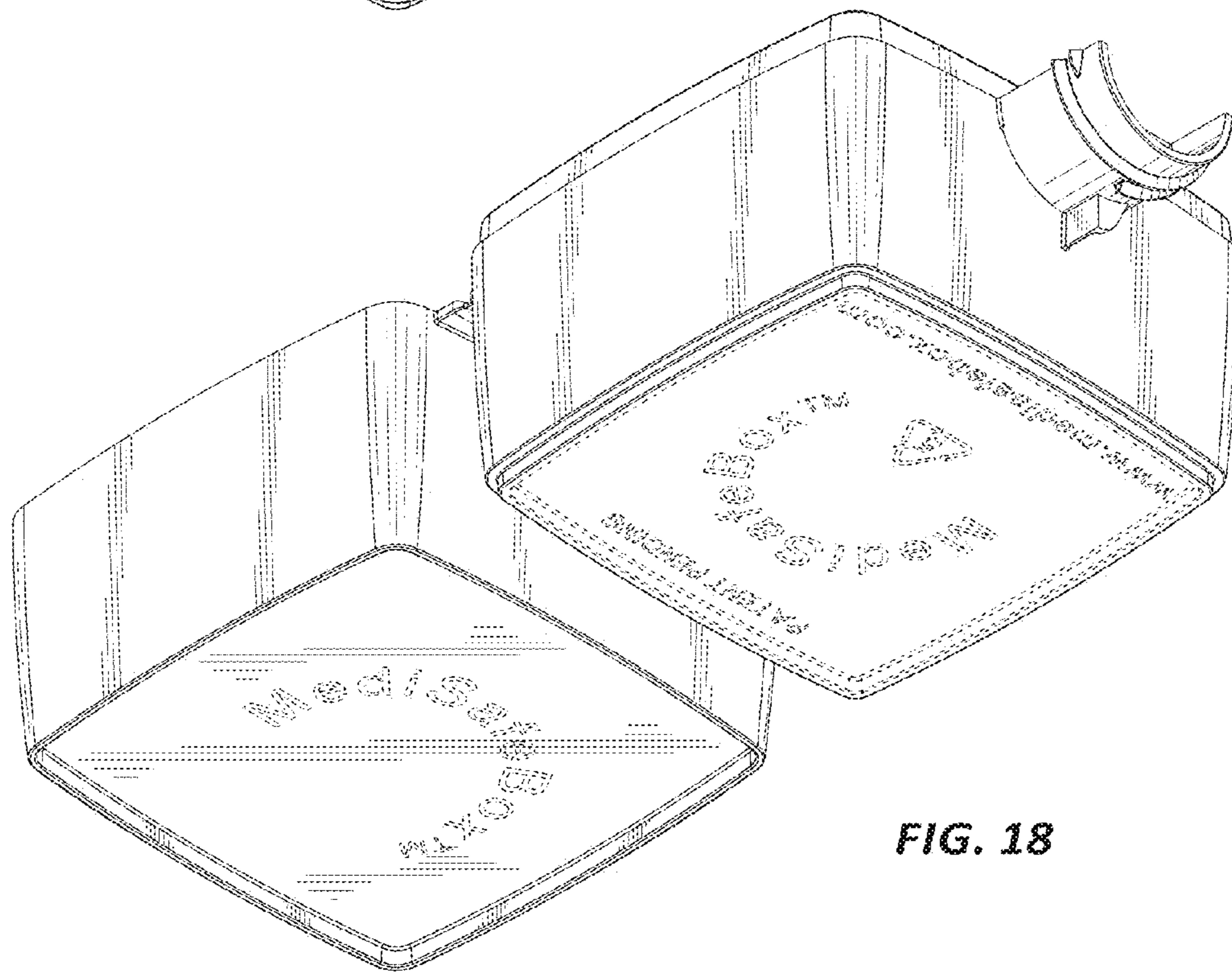


FIG. 18

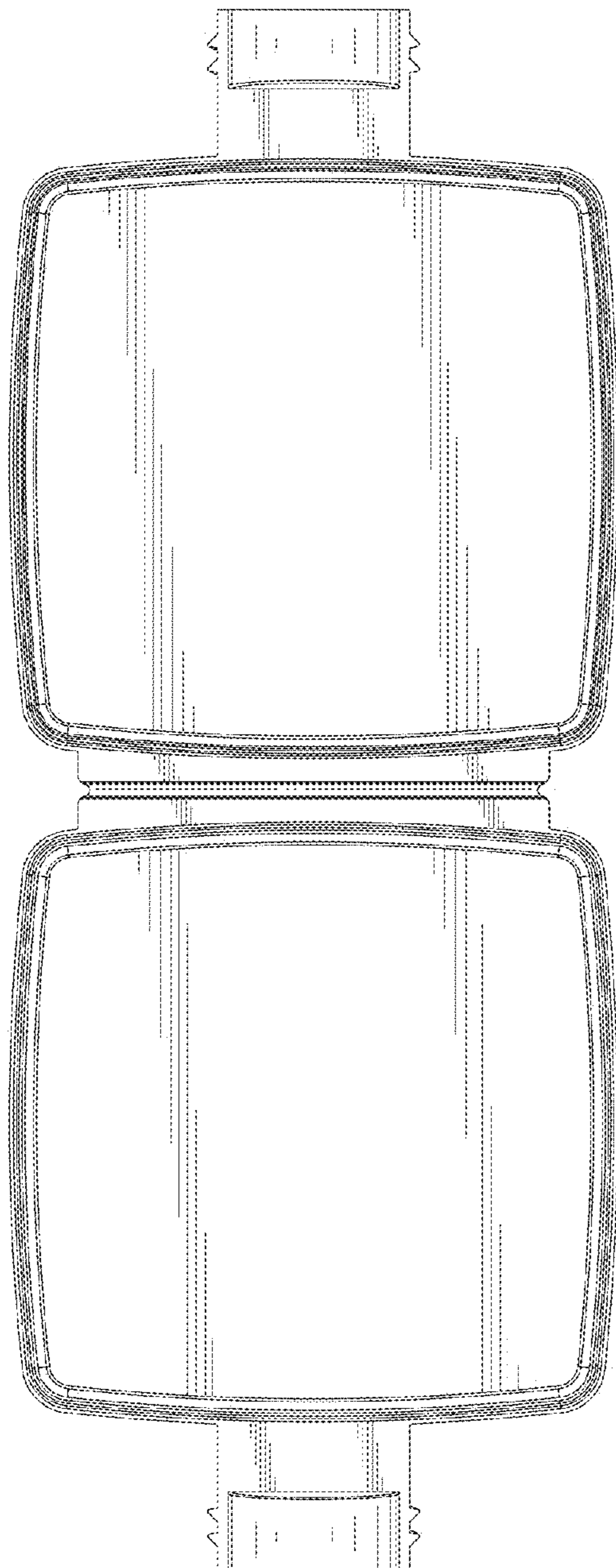


FIG. 19

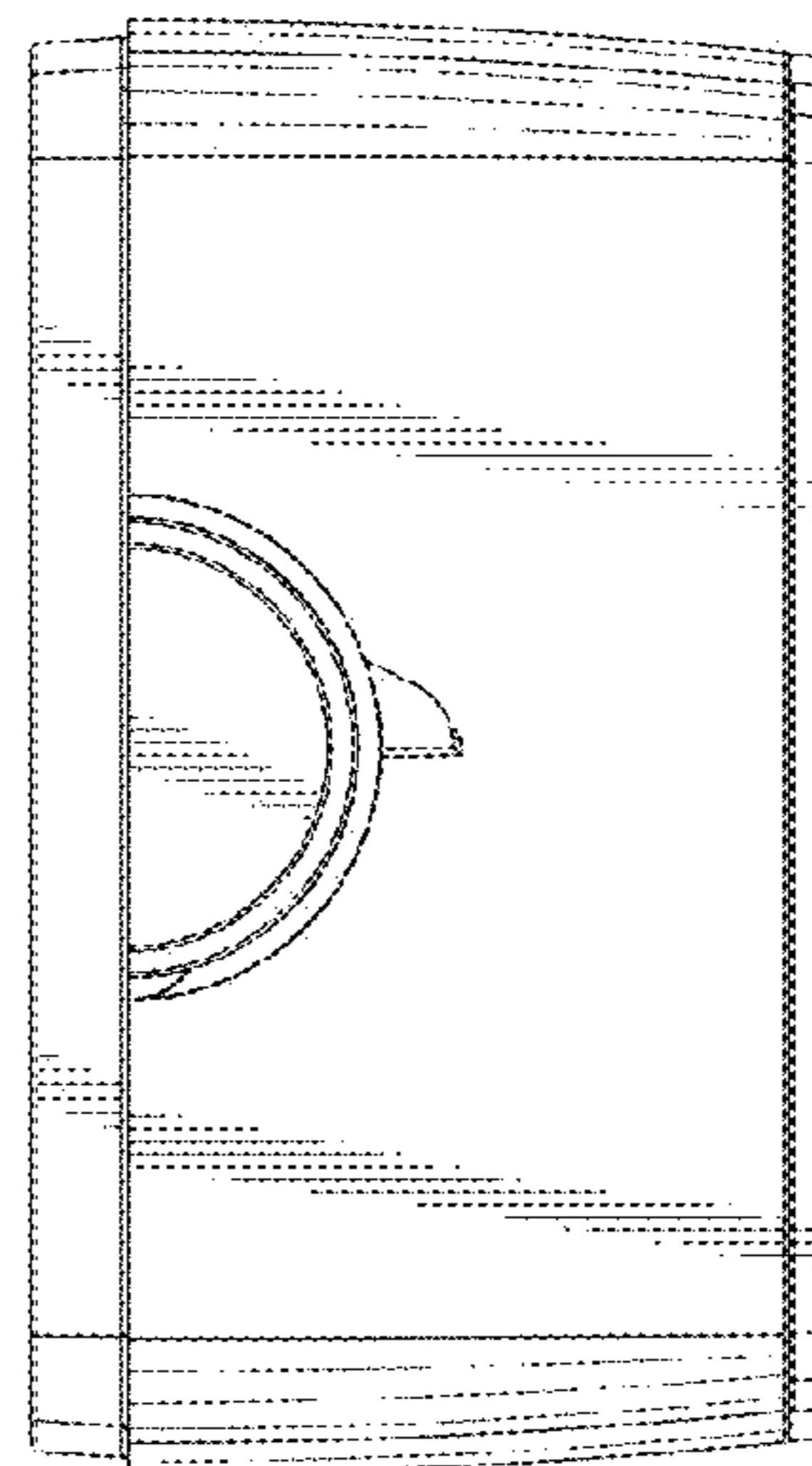


FIG. 21

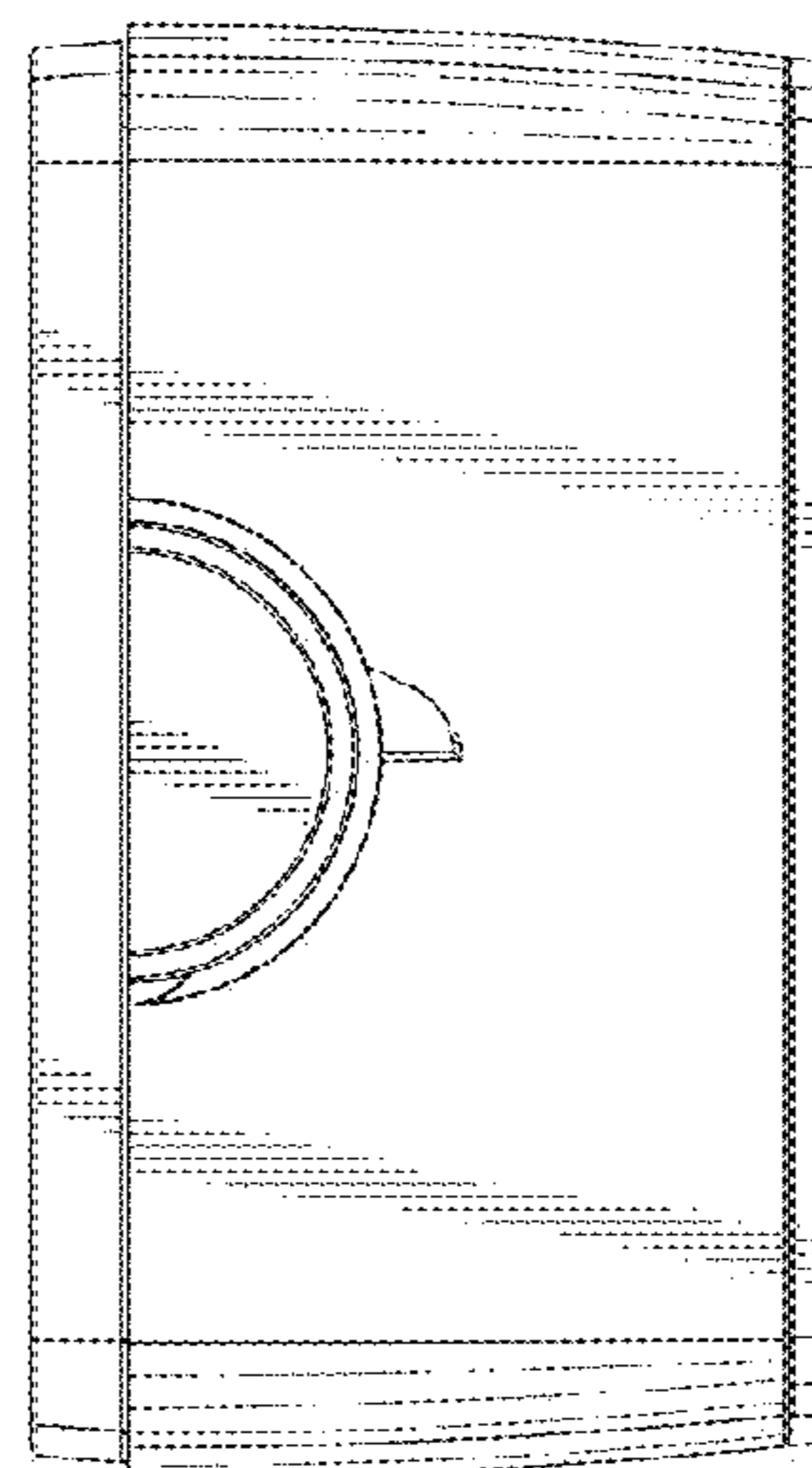


FIG. 20

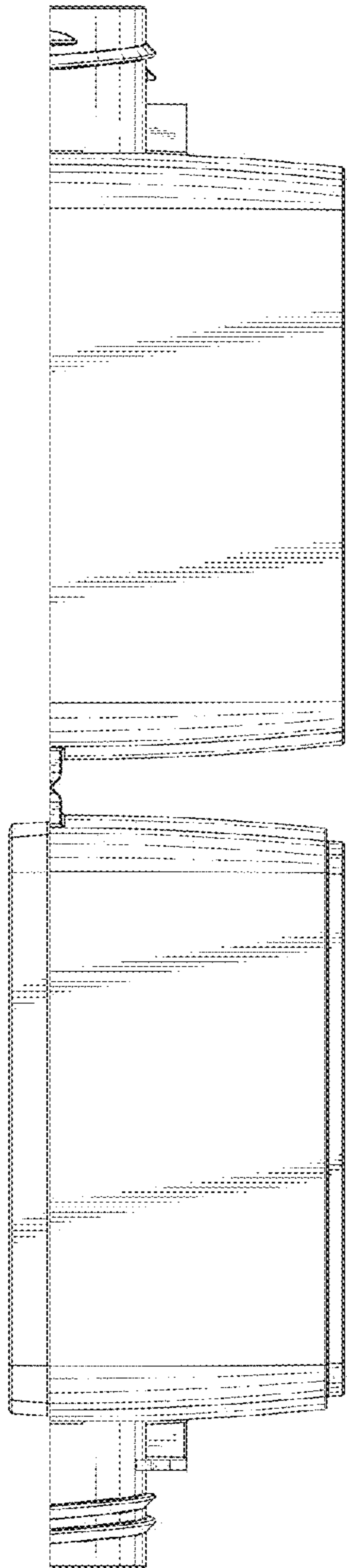


FIG. 22

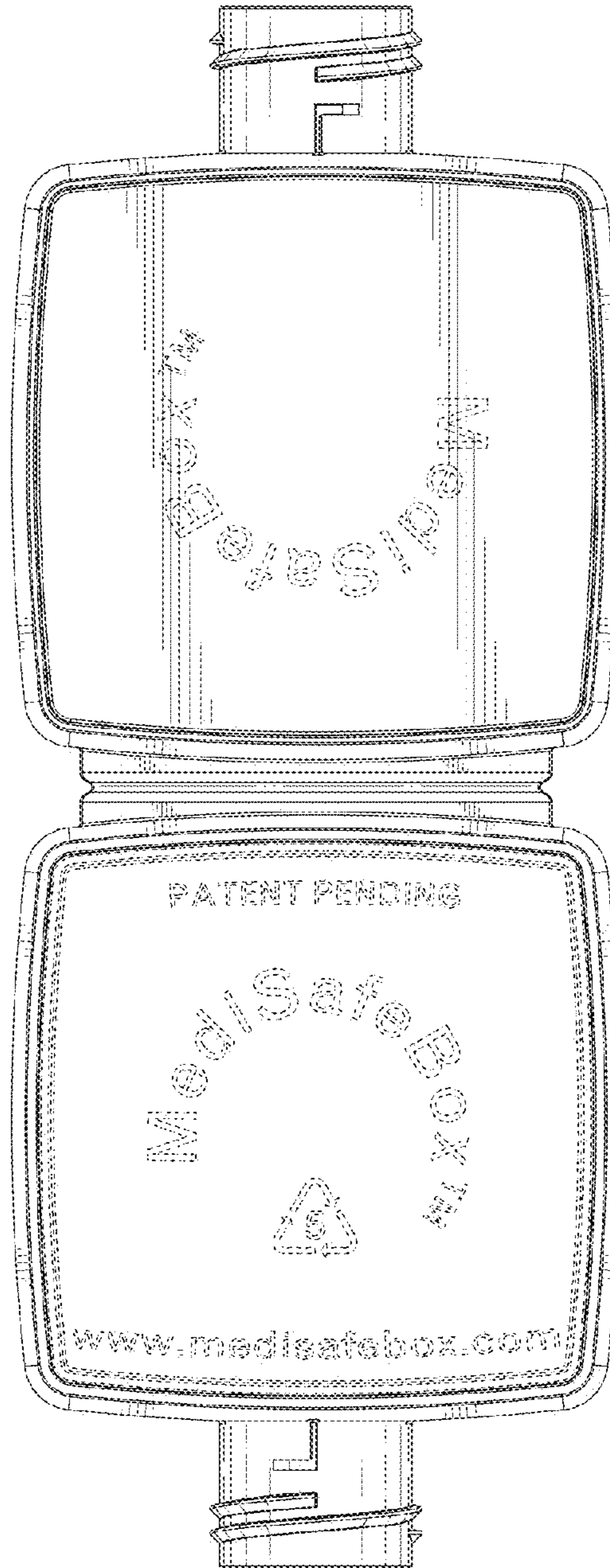


FIG. 23