



US00D756627S

(12) **United States Design Patent**
Lande

(10) **Patent No.:** **US D756,627 S**

(45) **Date of Patent:** **** May 24, 2016**

- (54) **MEDICAL SAFETY CONTAINER**
- (71) Applicant: **RALANDE Group LLC**, Los Angeles, CA (US)
- (72) Inventor: **Rebecca Lande**, Los Angeles, CA (US)
- (73) Assignee: **RALANDE GROUP LLC**, Los Angeles, CA (US)
- (**) Term: **14 Years**
- (21) Appl. No.: **29/522,229**
- (22) Filed: **Mar. 27, 2015**
- (51) **LOC (10) Cl.** **03-01**
- (52) **U.S. Cl.**
USPC **D3/203.2**
- (58) **Field of Classification Search**
USPC D3/201, 203.1, 203.2; D24/227;
D9/560, 420, 432, 453; 206/528, 539,
206/533, 540; 224/239, 241; 220/4.24
CPC B65D 85/42; B65D 83/0445; B65D
83/0454; B65D 21/0234
See application file for complete search history.

(56) **References Cited**

U.S. PATENT DOCUMENTS

- D195,434 S * 6/1963 Mojonnier et al. D9/523
- 3,142,422 A * 7/1964 Mojonnier B65D 21/0231
206/509
- D232,523 S * 8/1974 Nudell et al. D3/203.3
- 4,012,087 A * 3/1977 Edwards, Jr. B42F 17/08
206/425
- D254,720 S * 4/1980 Schuander D9/423

(Continued)

Primary Examiner — John Windmuller
Assistant Examiner — Steven Czyz

(74) *Attorney, Agent, or Firm* — AEON Law; Adam L. K. Philipp

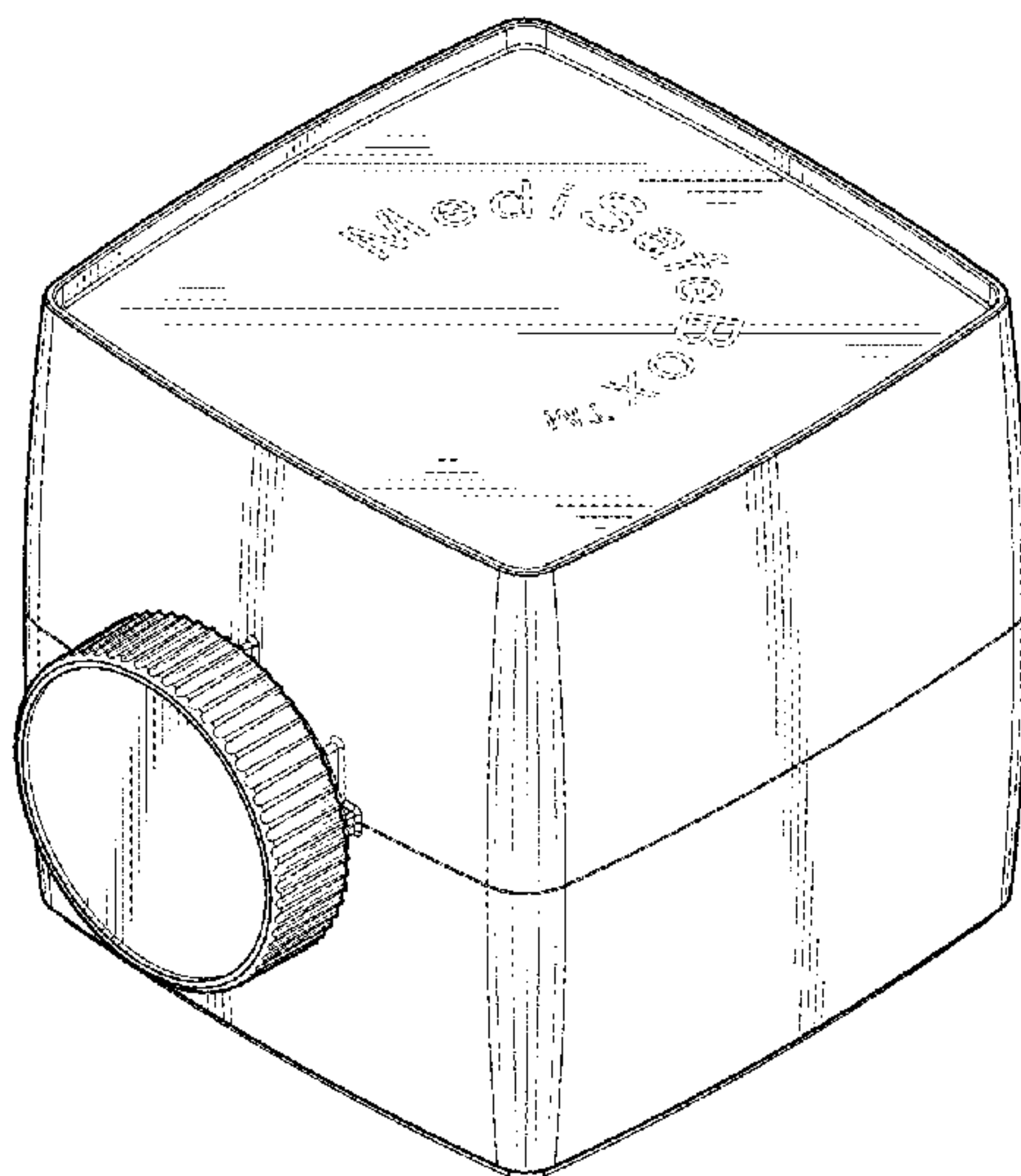
(57) **CLAIM**

An ornamental design for a medical safety container, as shown and described.

DESCRIPTION

FIG. 1 is a perspective view from above showing my new design for a medical container in an unsecure closed position with the cap lid removed;
 FIG. 2 is a rear perspective view of FIG. 1;
 FIG. 3 is a top plan view of FIG. 1;
 FIG. 4 is a left side plan view of FIG. 1;
 FIG. 5 is a right side plan view of FIG. 1;
 FIG. 6 is a bottom plan view of FIG. 1;
 FIG. 7 is a front plan view of FIG. 1 with the cap lid in an alternate state;
 FIG. 8 is a rear plan view of FIG. 1 with the cap lid in an alternate state;
 FIG. 9 is a perspective view from above showing the medical safety container in a secure closed position with the safety cap lid attached to threaded closure;
 FIG. 10 is a rear perspective view of FIG. 9;
 FIG. 11 is a top plan view of FIG. 9;
 FIG. 12 is a left side plan view of FIG. 9;
 FIG. 13 is a right side plan view of FIG. 9;
 FIG. 14 is a bottom plan view of FIG. 9;
 FIG. 15 is a front plan view of FIG. 9;
 FIG. 16 is a rear plan view of FIG. 9;
 FIG. 17 is a perspective view from above showing the medical safety container in an open position;
 FIG. 18 is a perspective view from below of FIG. 17;
 FIG. 19 is a top plan view of FIG. 17;
 FIG. 20 is a front plan view of FIG. 17;
 FIG. 21 is a rear plan view of FIG. 17;
 FIG. 22 is a side plan view of FIG. 17; and,
 FIG. 23 is a bottom plan view of FIG. 17.
 The broken lines depict portions of the article that form no part of the claimed design.

1 Claim, 11 Drawing Sheets



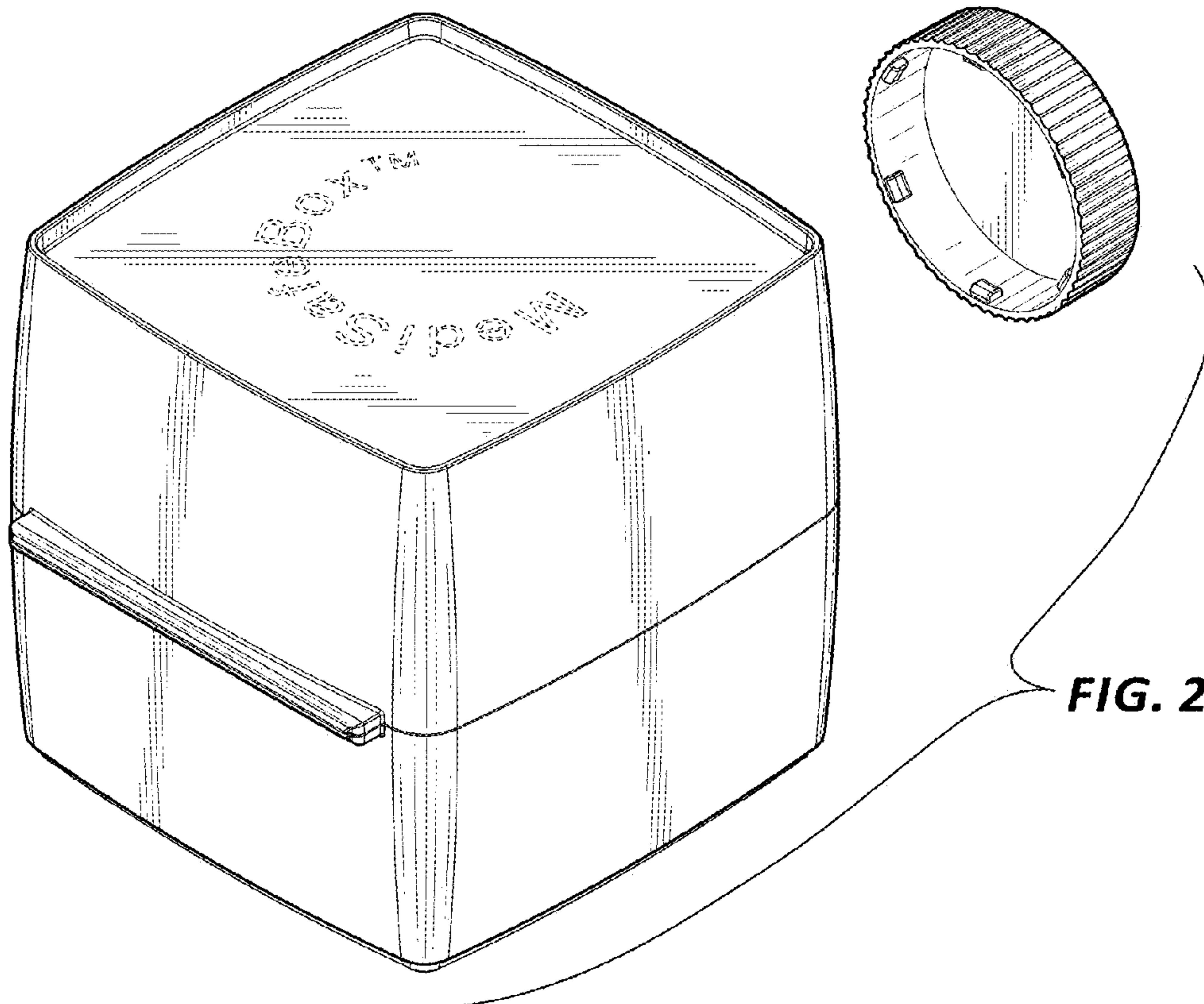
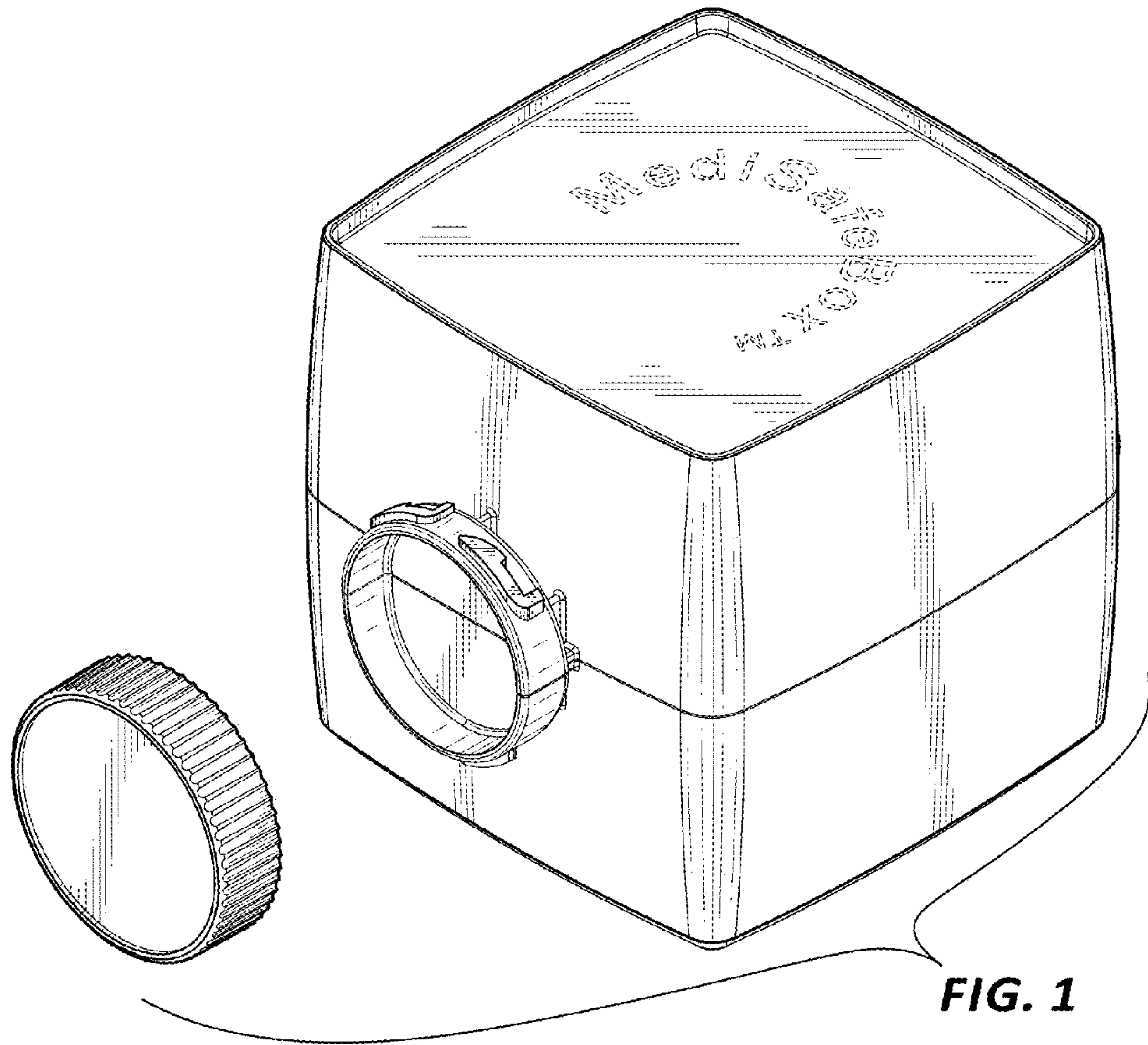
(56)

References Cited

U.S. PATENT DOCUMENTS

4,226,358	A *	10/1980	Ottow	B65D 75/322				
					206/526				
D333,157	S *	2/1993	Kirchner	D19/75				
D334,499	S *	4/1993	Meisner	D3/302				
5,782,358	A *	7/1998	Walker	B65D 21/0231				
					206/509				
D414,969	S *	10/1999	Marino	D6/515				
D419,803	S *	2/2000	van Bakel	D6/512				
D425,294	S *	5/2000	Haverstick	D3/203.1				
D473,789	S *	4/2003	Crawford	D9/430				
D481,640	S *	11/2003	Biesecker	D9/560				
D484,646	S *	12/2003	Ditrichstein	D28/83				
D494,476	S *	8/2004	Cwynar-Laska	D9/560				
D525,714	S *	7/2006	Ueda	D24/227				
D531,514	S *	11/2006	Harris	D21/499				
D561,989	S *	2/2008	Jones	D3/201				
D604,605	S *	11/2009	Chung	D9/432				
D612,148	S *	3/2010	Treece	D3/203.1				
D625,911	S *	10/2010	Lee	D3/203.2				
D631,649	S *	2/2011	Patenaude	D3/203.1				
D636,265	S *	4/2011	Gartner	D9/446				
D646,119	S *	10/2011	Deuber	D7/400				
D655,079	S *	3/2012	Patenaude	D3/203.1				
D663,111	S *	7/2012	Paslawski	D3/203.2				
D666,495	S *	9/2012	Biesecker	D9/445				
D731,309	S *	6/2015	Lee	D9/432				
D733,317	S *	6/2015	Lui	D24/227				
D741,058	S *	10/2015	Wiederman	D3/203.2				
D742,593	S *	11/2015	Corey	D28/83				
D746,483	S *	12/2015	Brandenburger	D24/224				
D747,606	S *	1/2016	Serell	D3/203.2				
D748,280	S *	1/2016	Lui	D24/227				
D748,468	S *	2/2016	Angeloni	D9/420				
2002/0121449	A1 *	9/2002	Bowie	A46B 17/02				
					206/362				
2002/0166835	A1 *	11/2002	Carter	B65D 51/28				
					215/227				
2010/0308058	A1 *	12/2010	Moskow	B65D 83/0011				
					220/524				
2015/0008152	A1 *	1/2015	Xu	A61J 1/03				
					206/538				

* cited by examiner



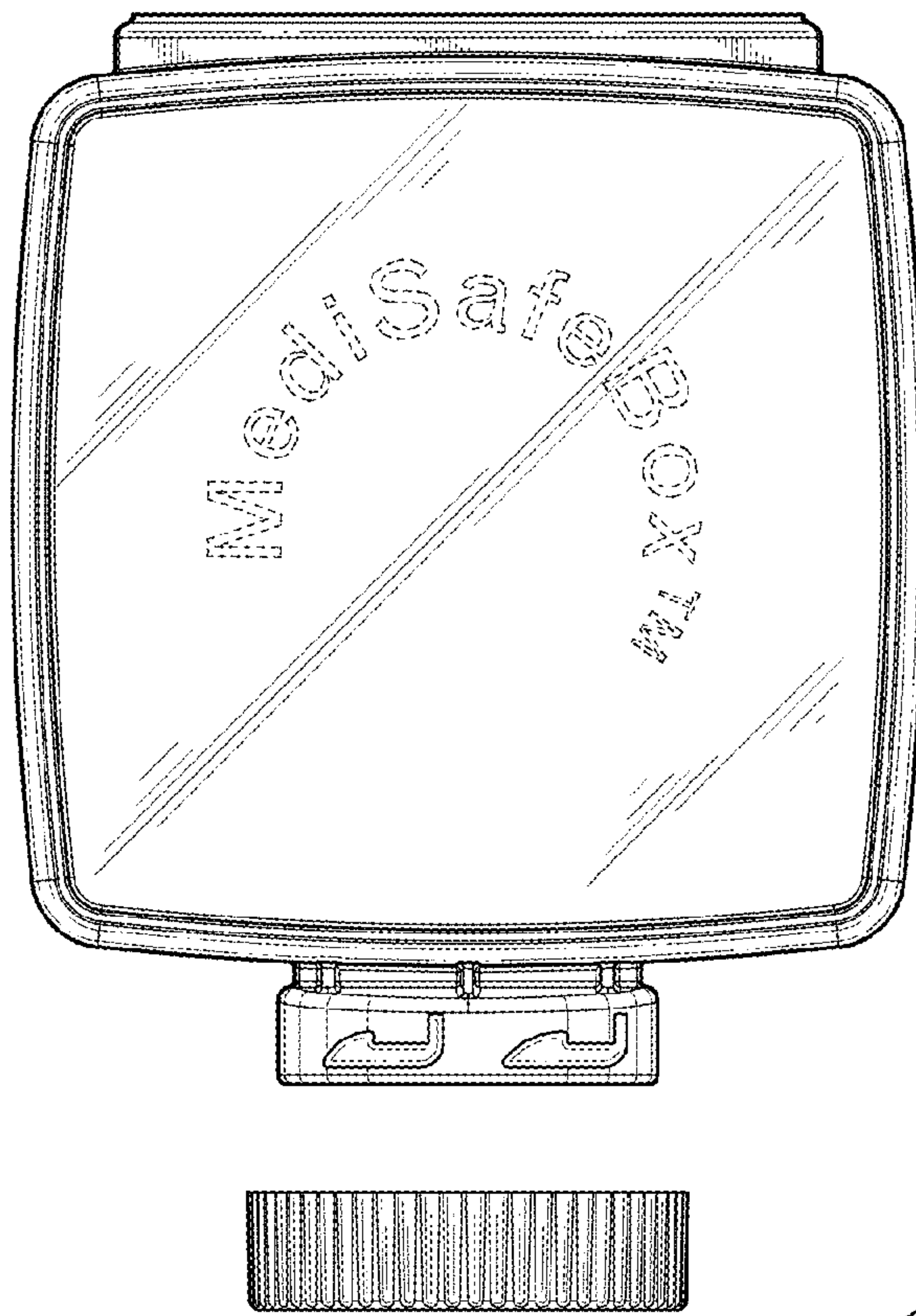


FIG. 3

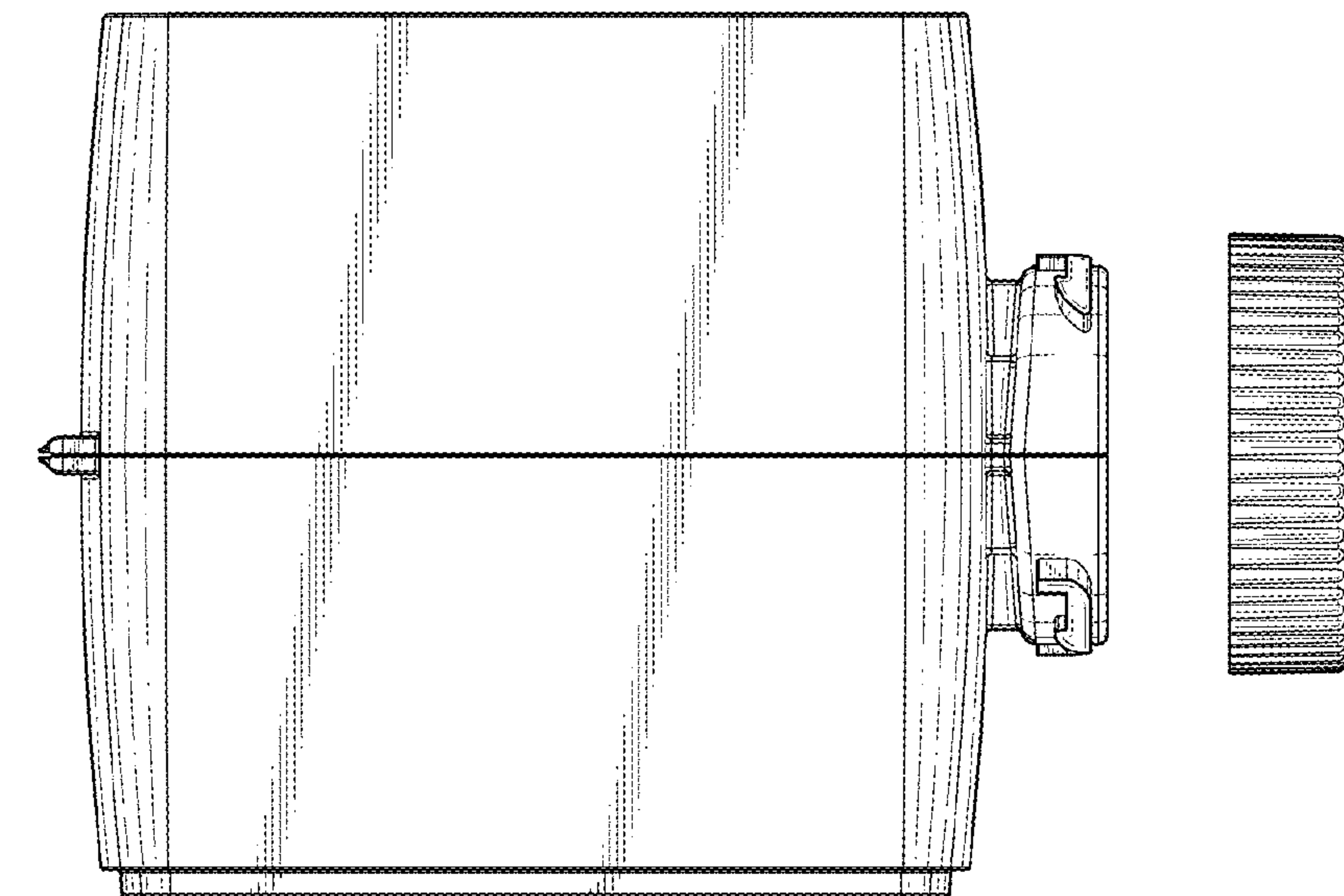


FIG. 4

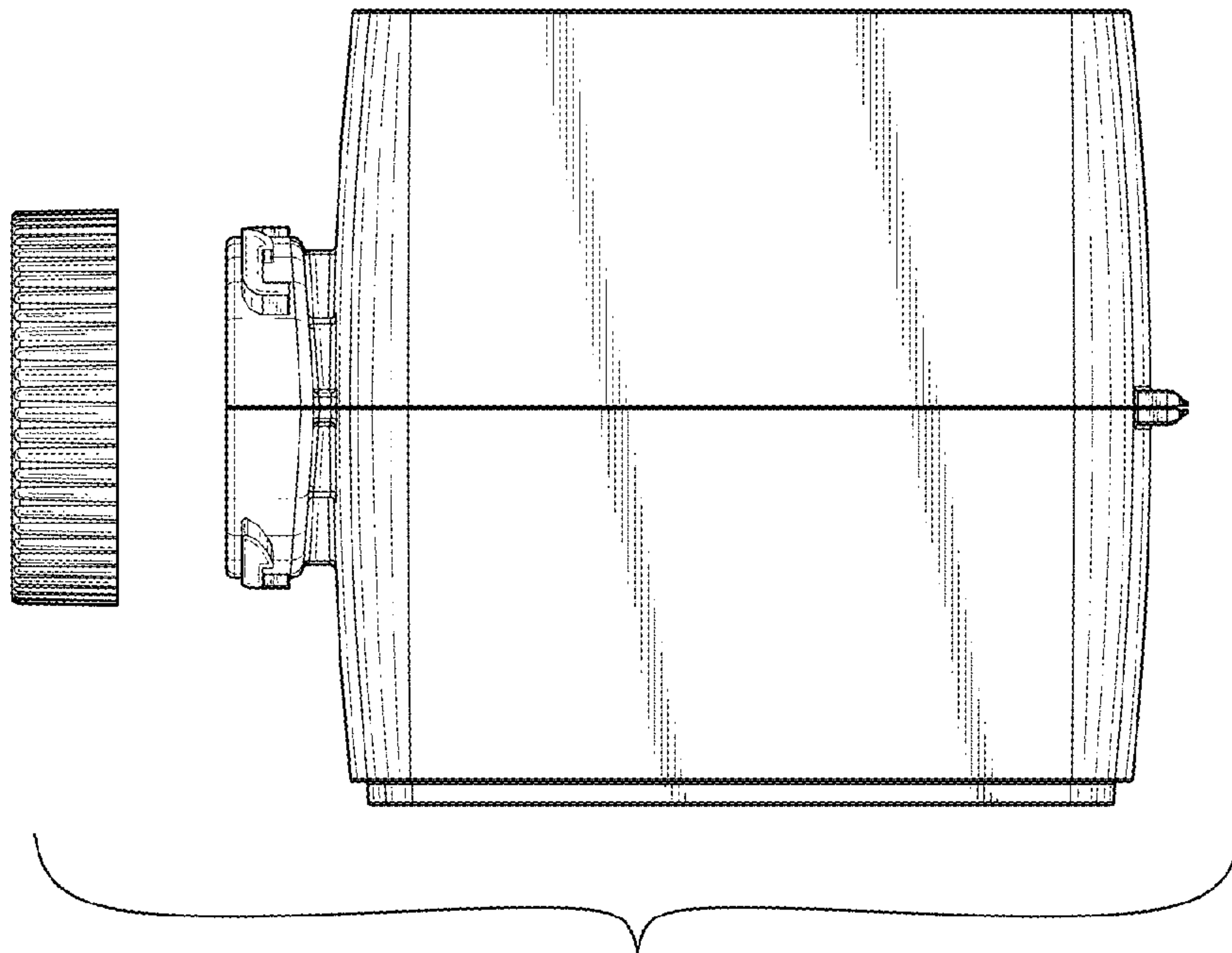


FIG. 5

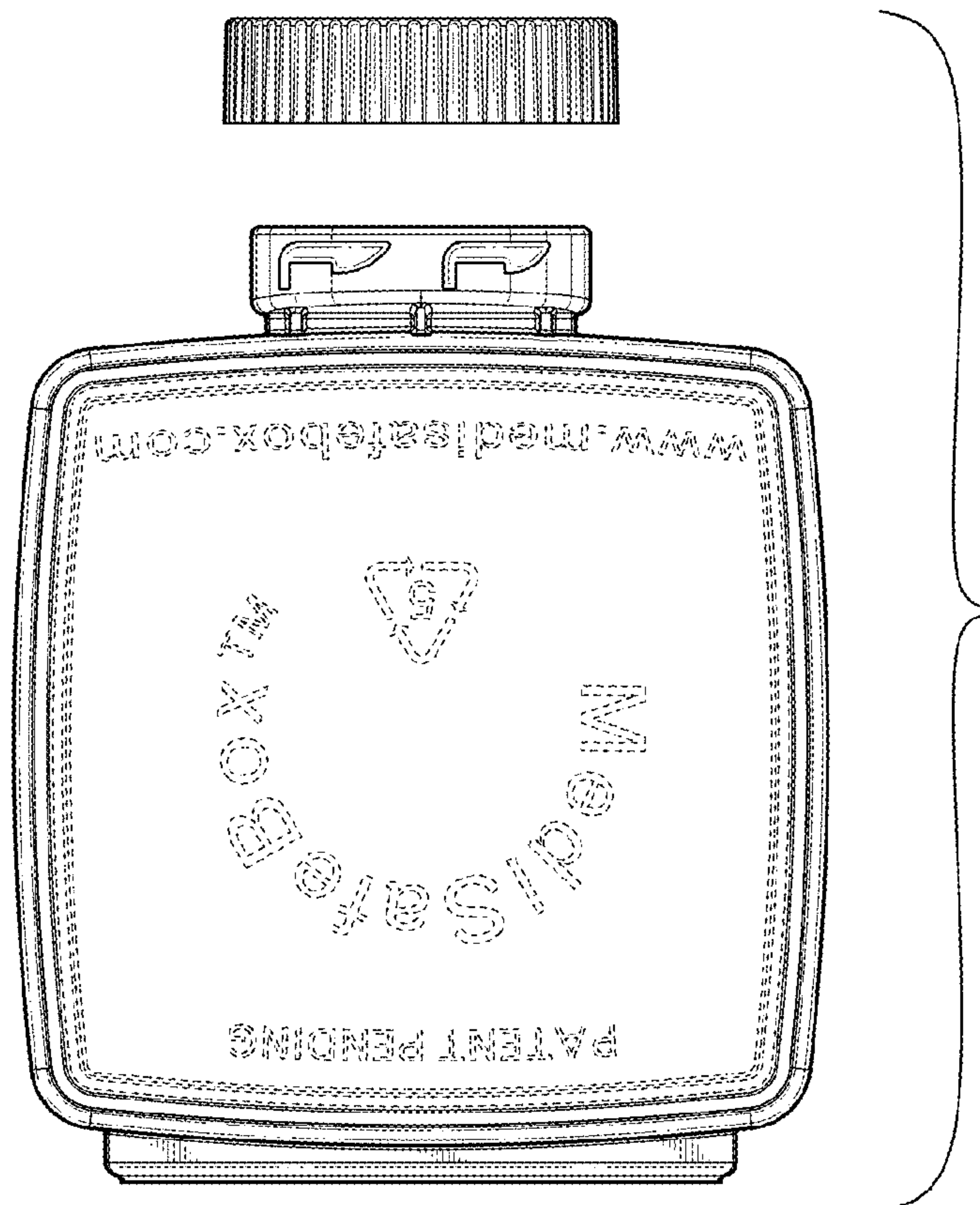


FIG. 6

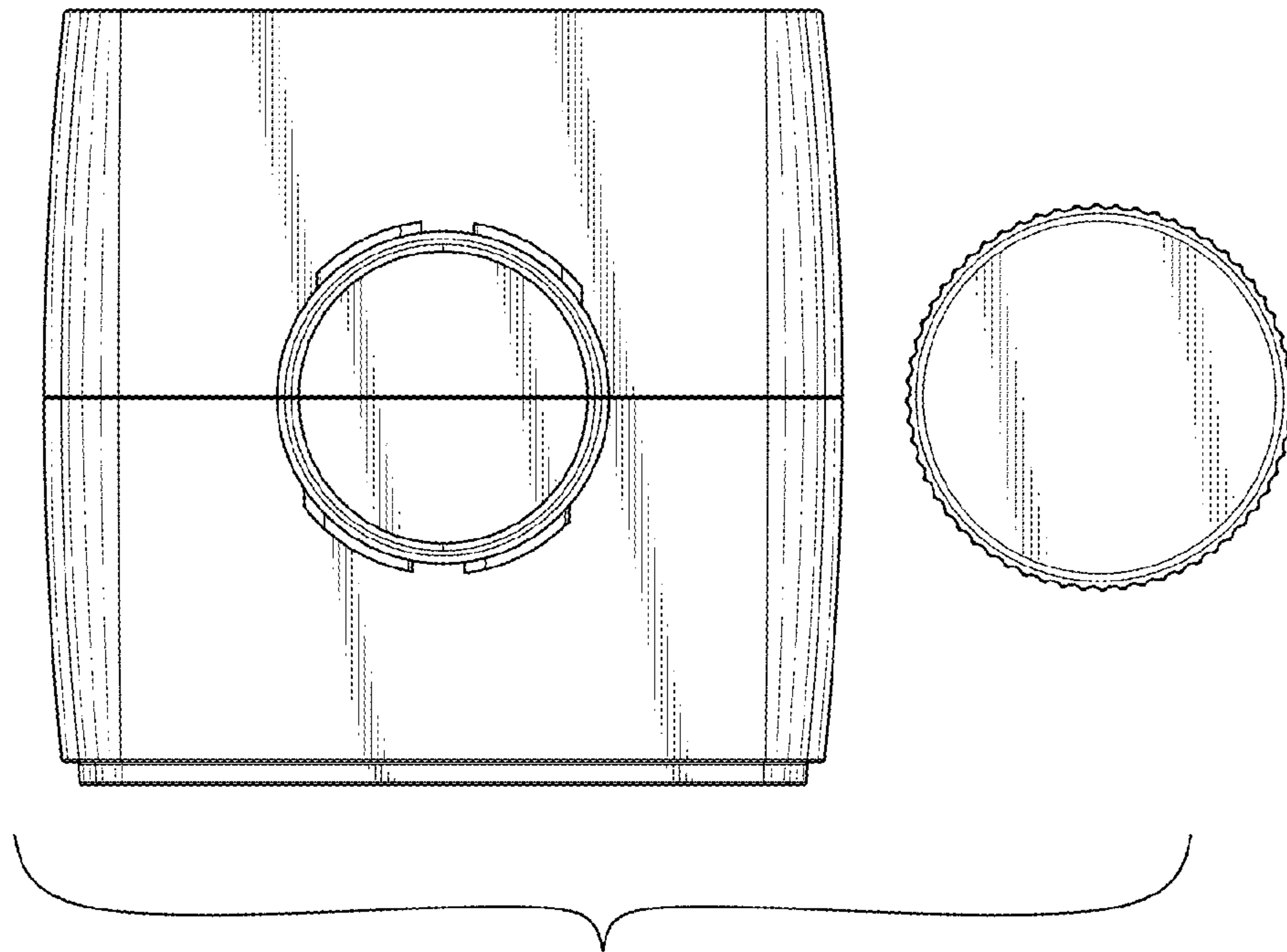


FIG. 7

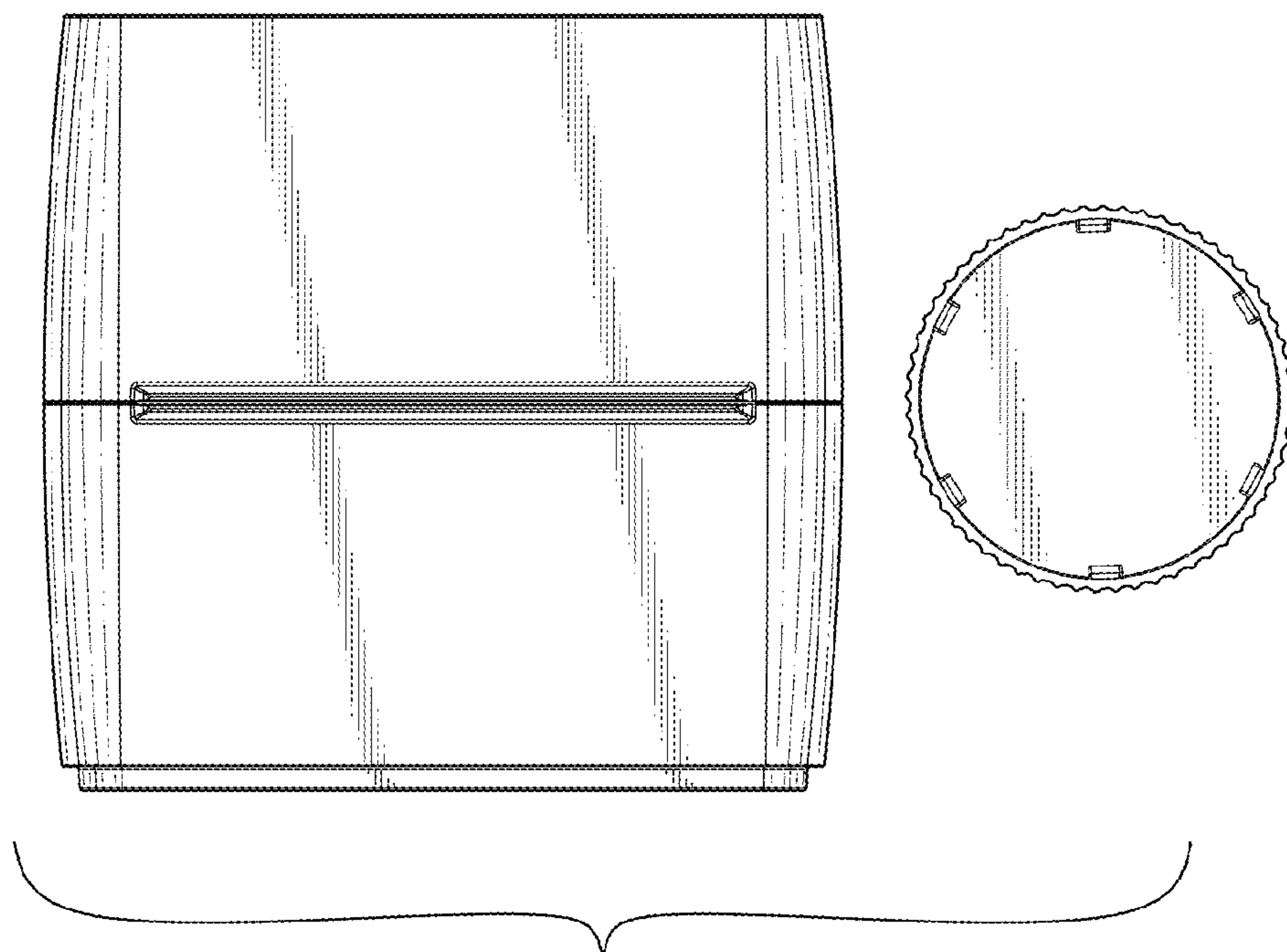


FIG. 8

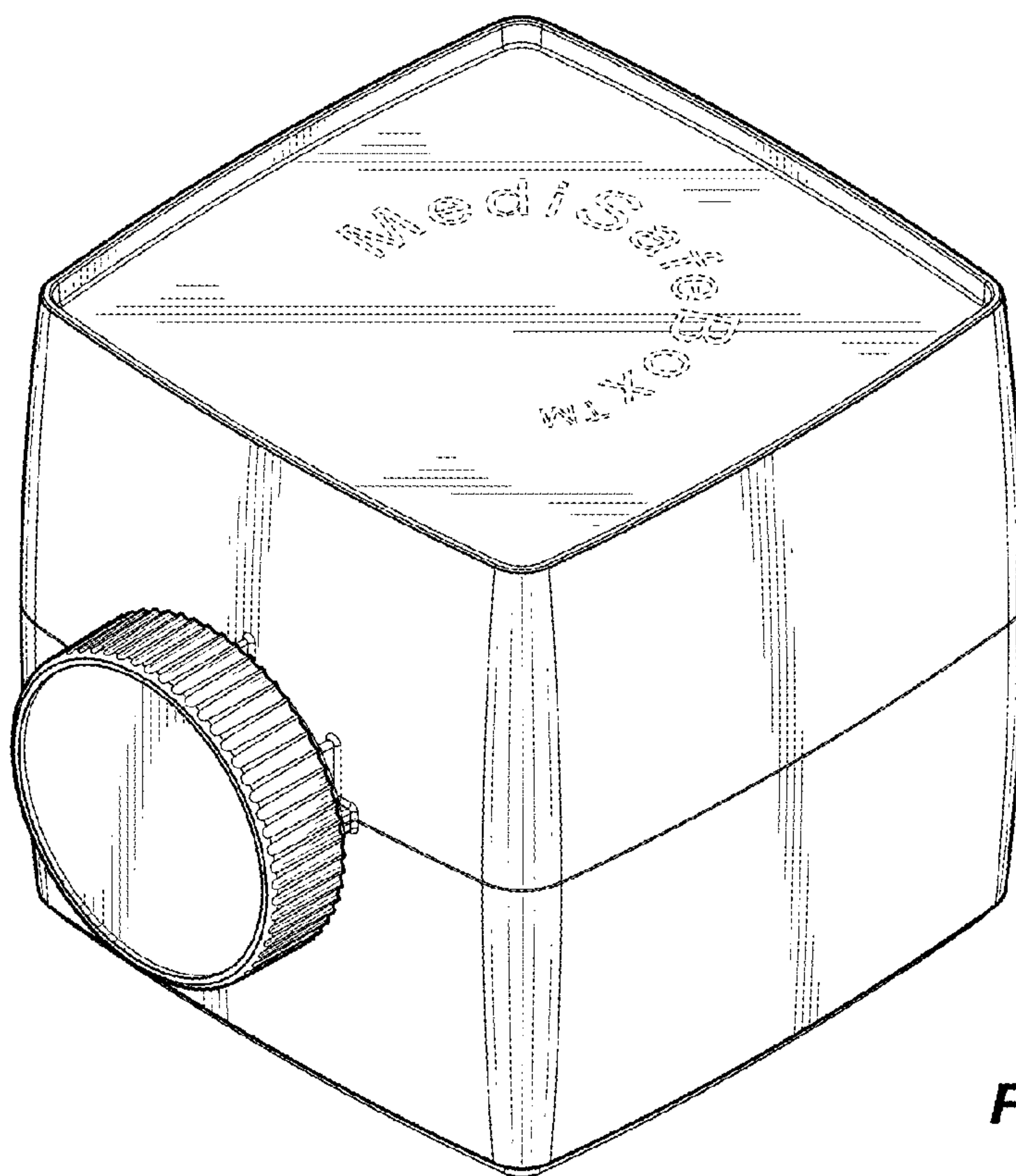


FIG. 9

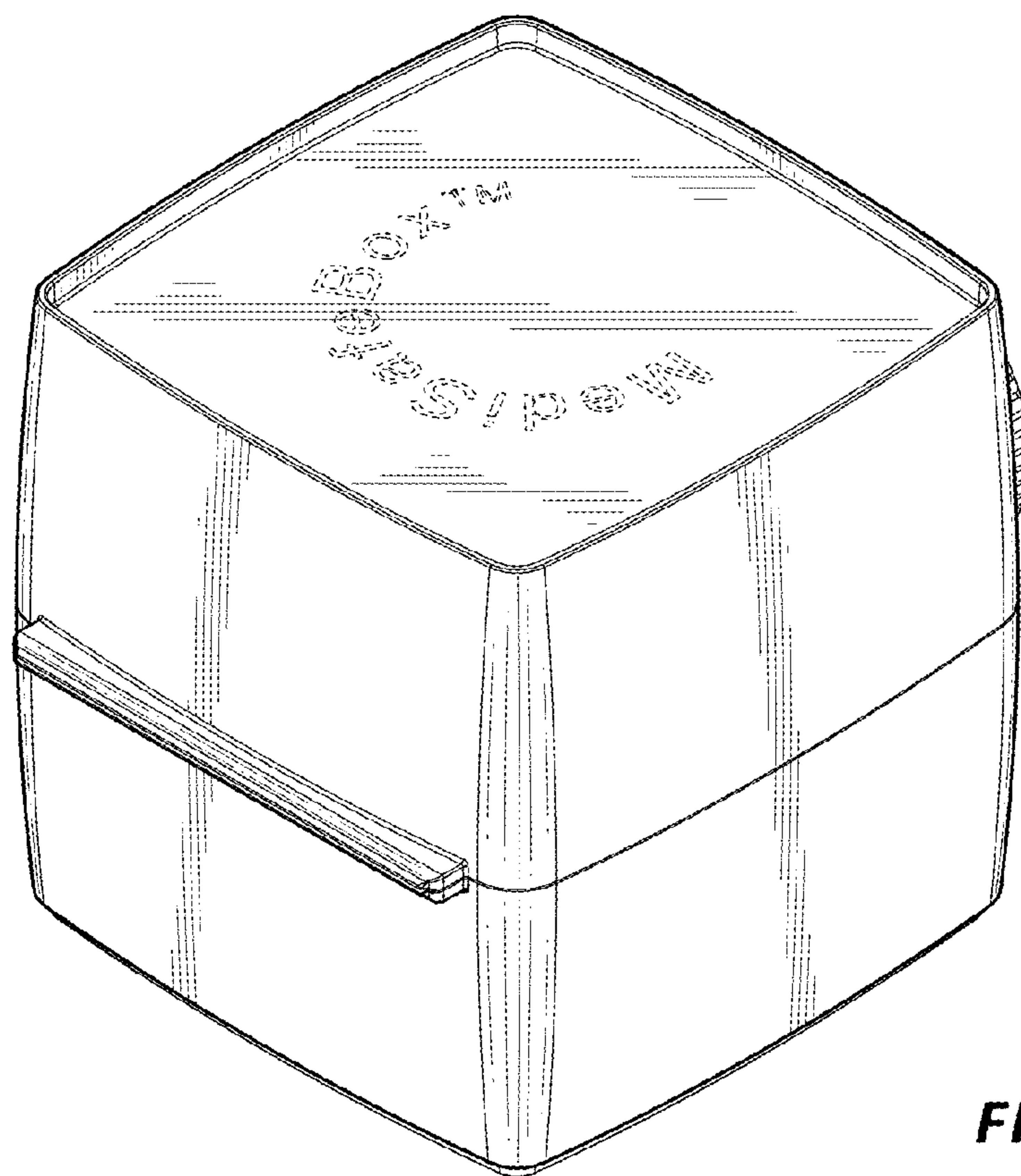


FIG. 10

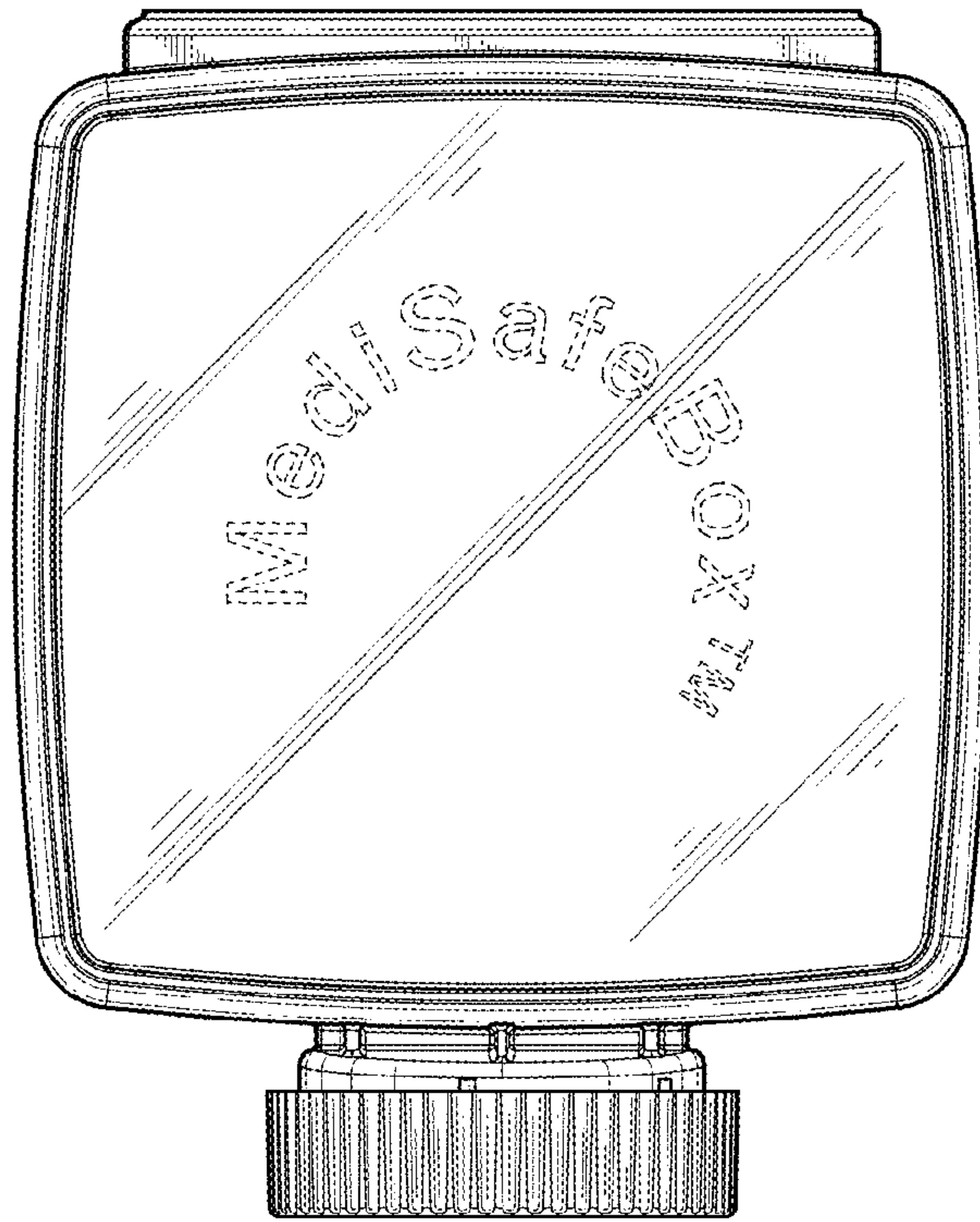


FIG. 11

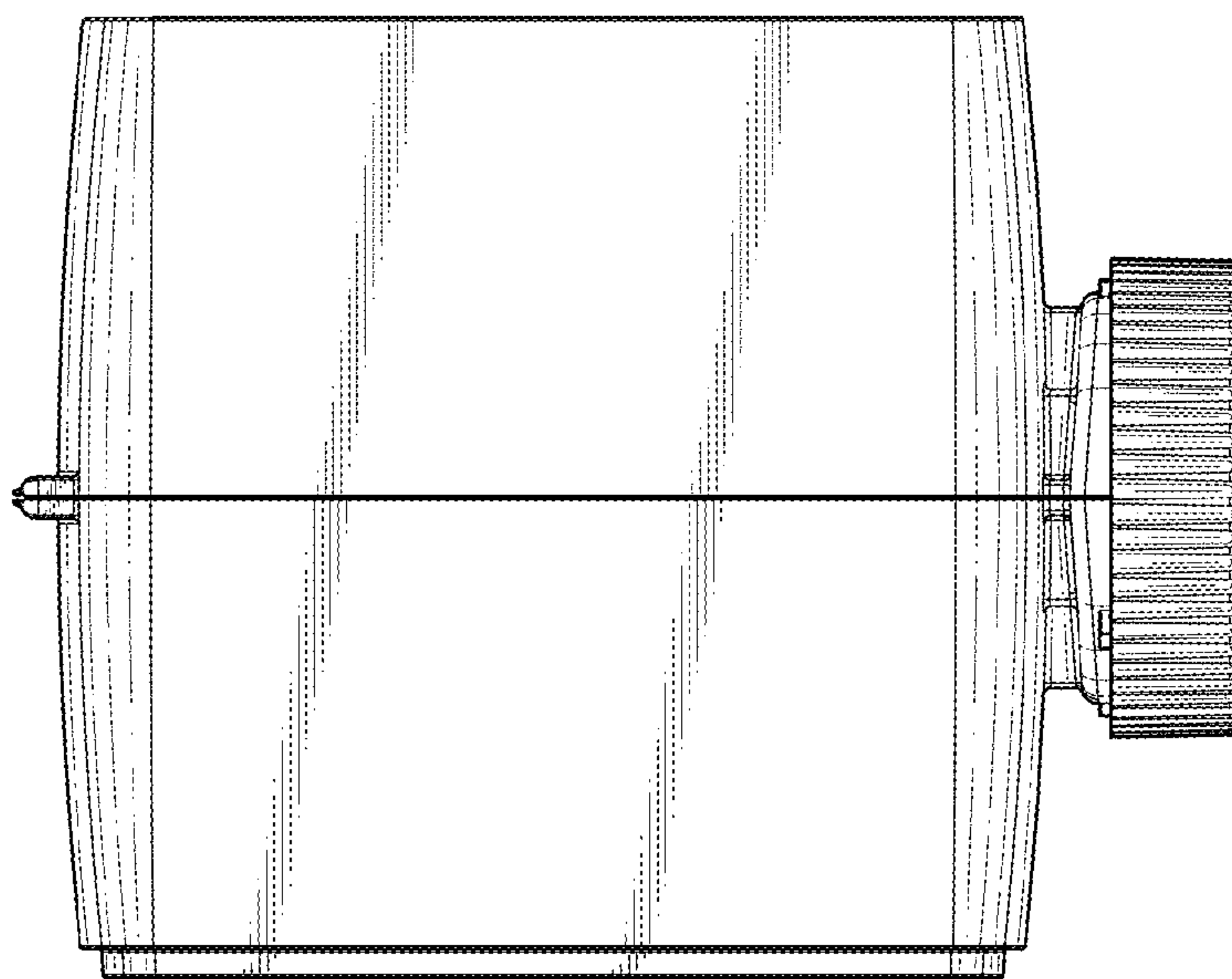


FIG. 12

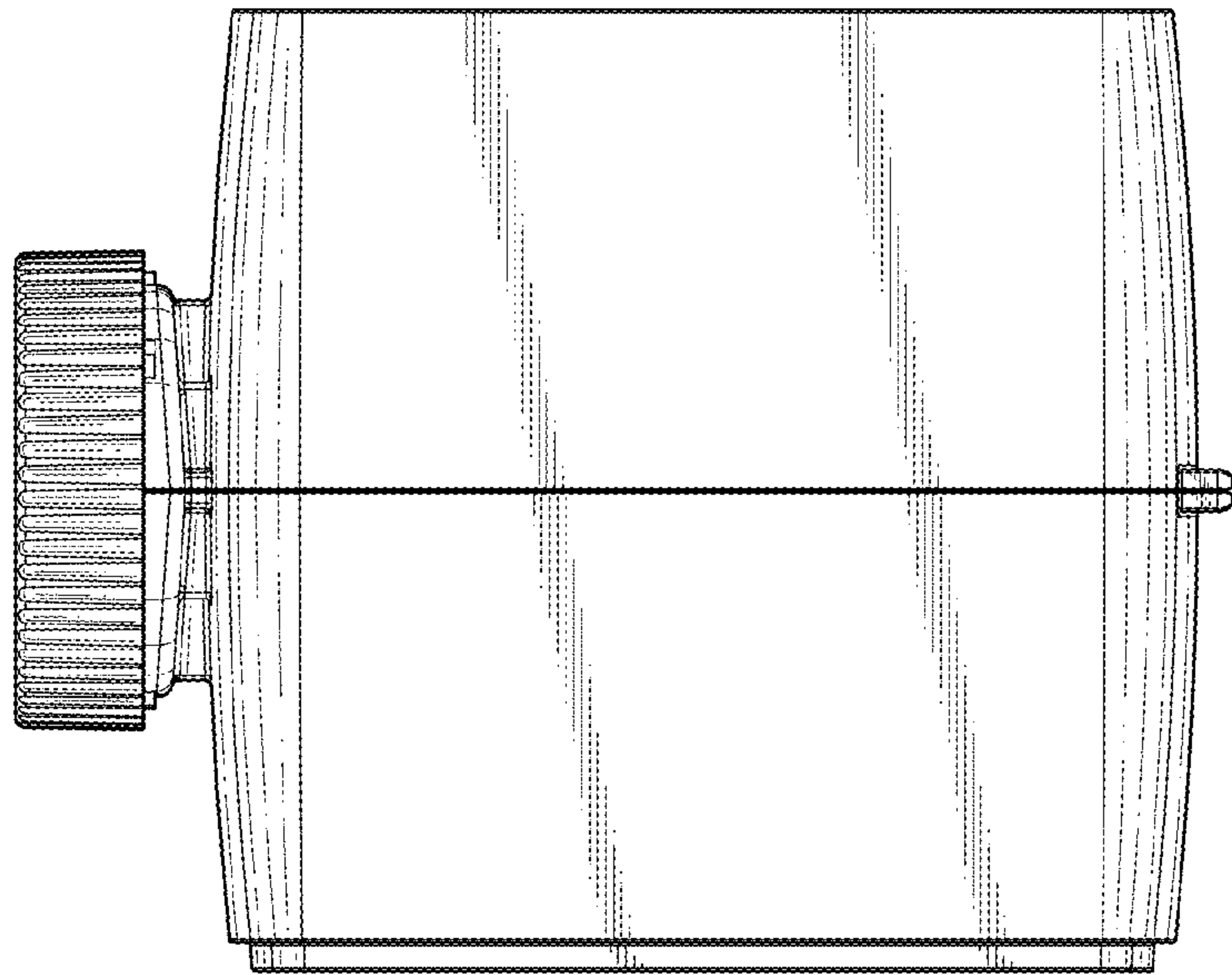


FIG. 13

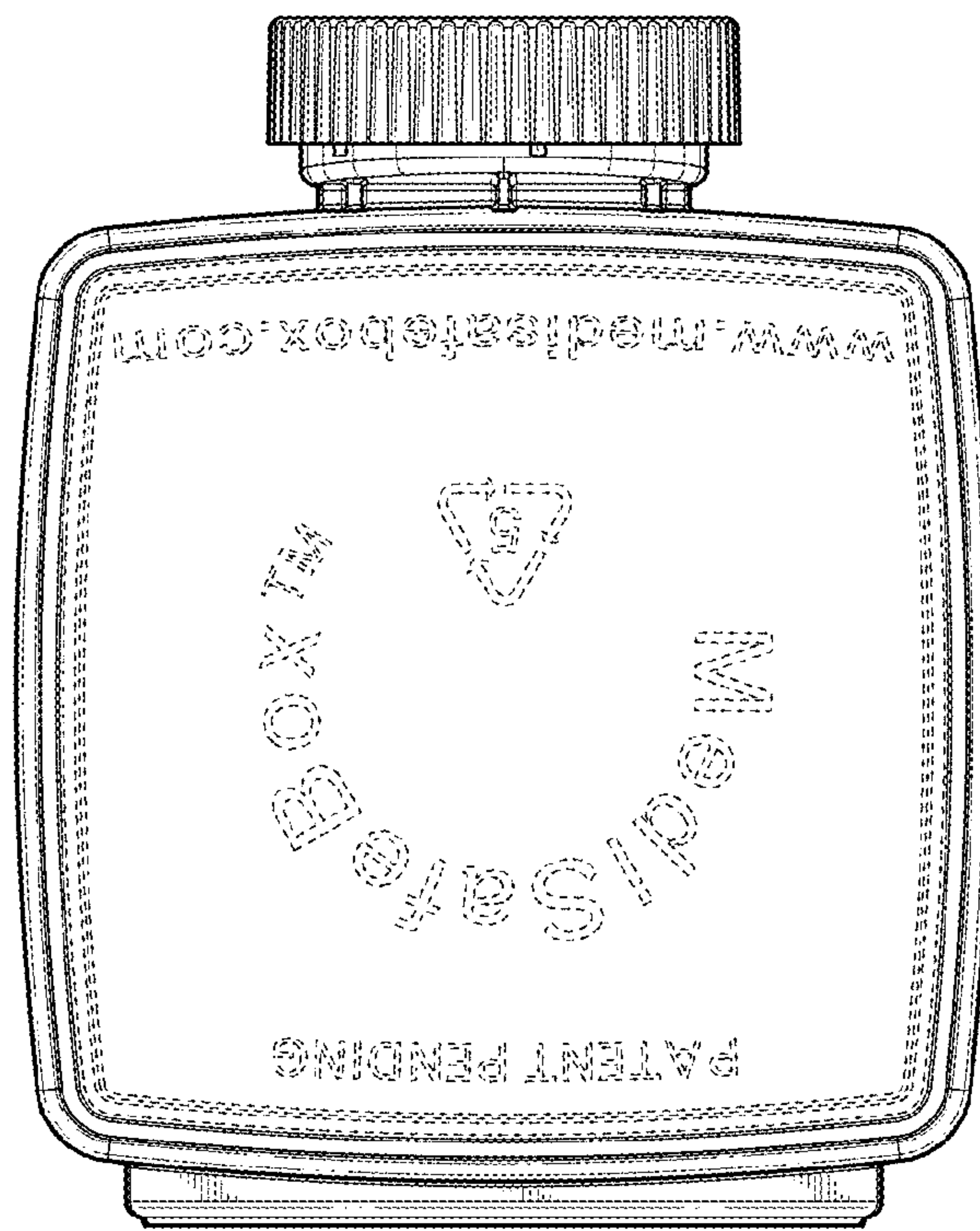


FIG. 14

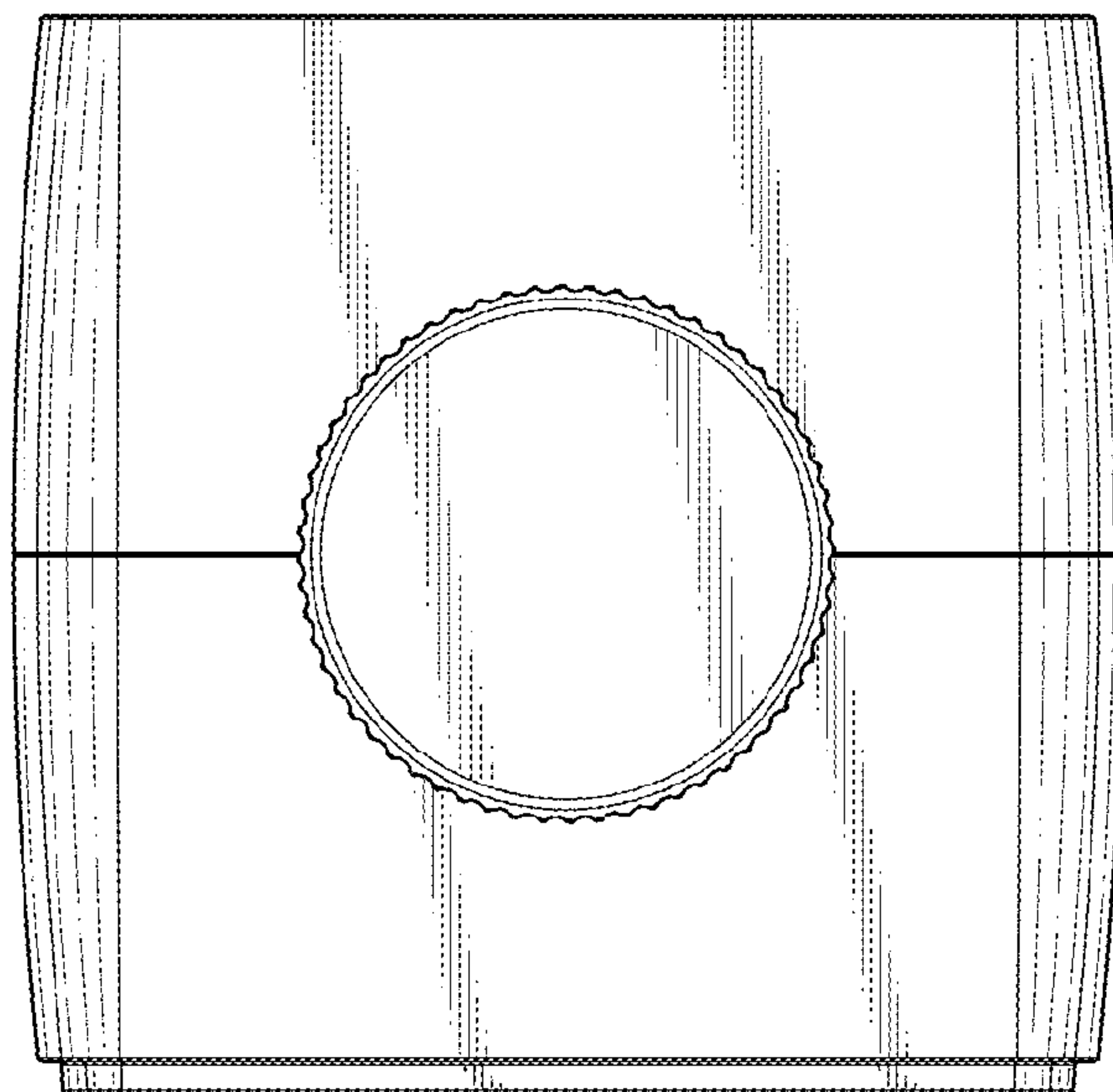


FIG. 15

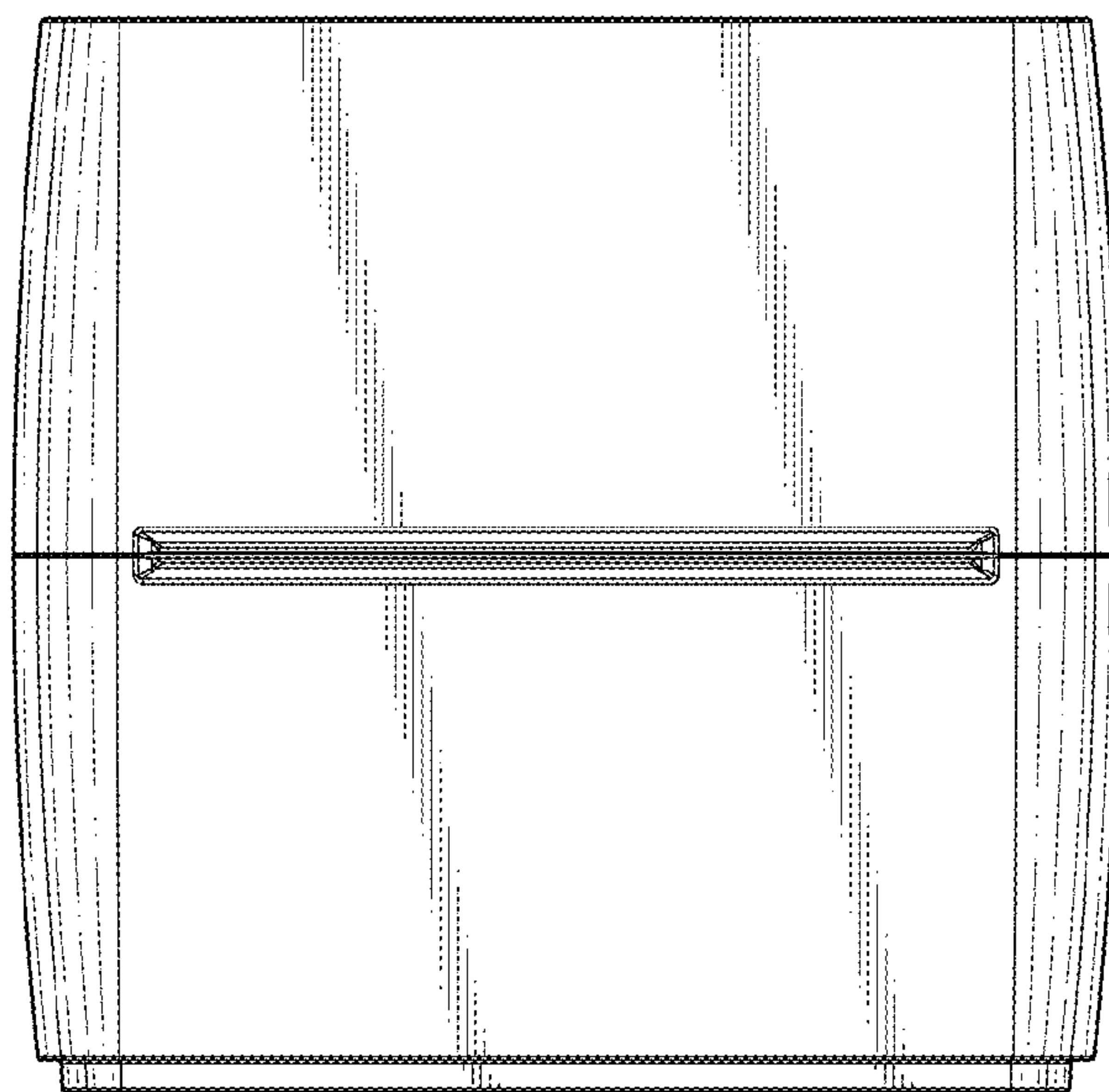


FIG. 16

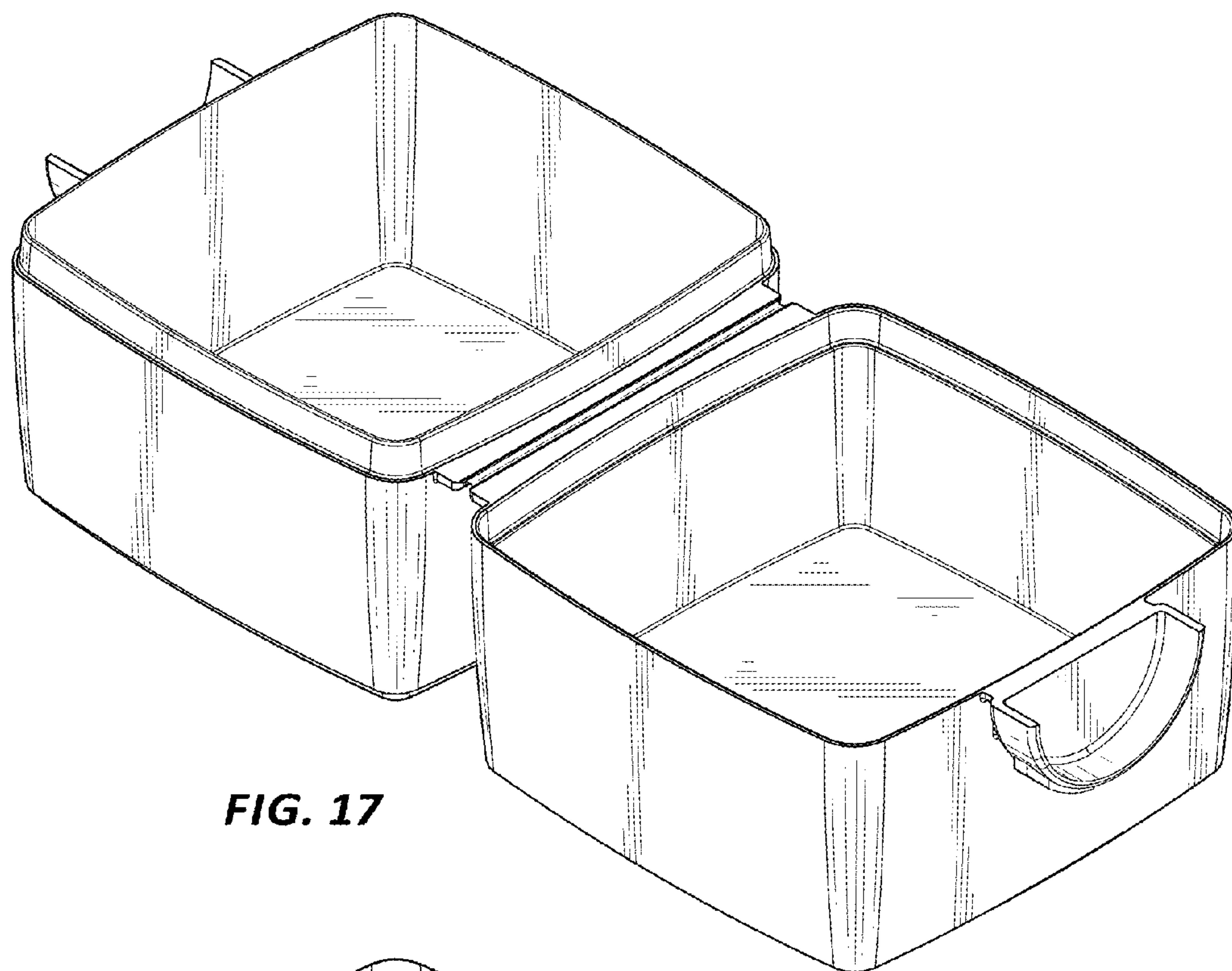


FIG. 17

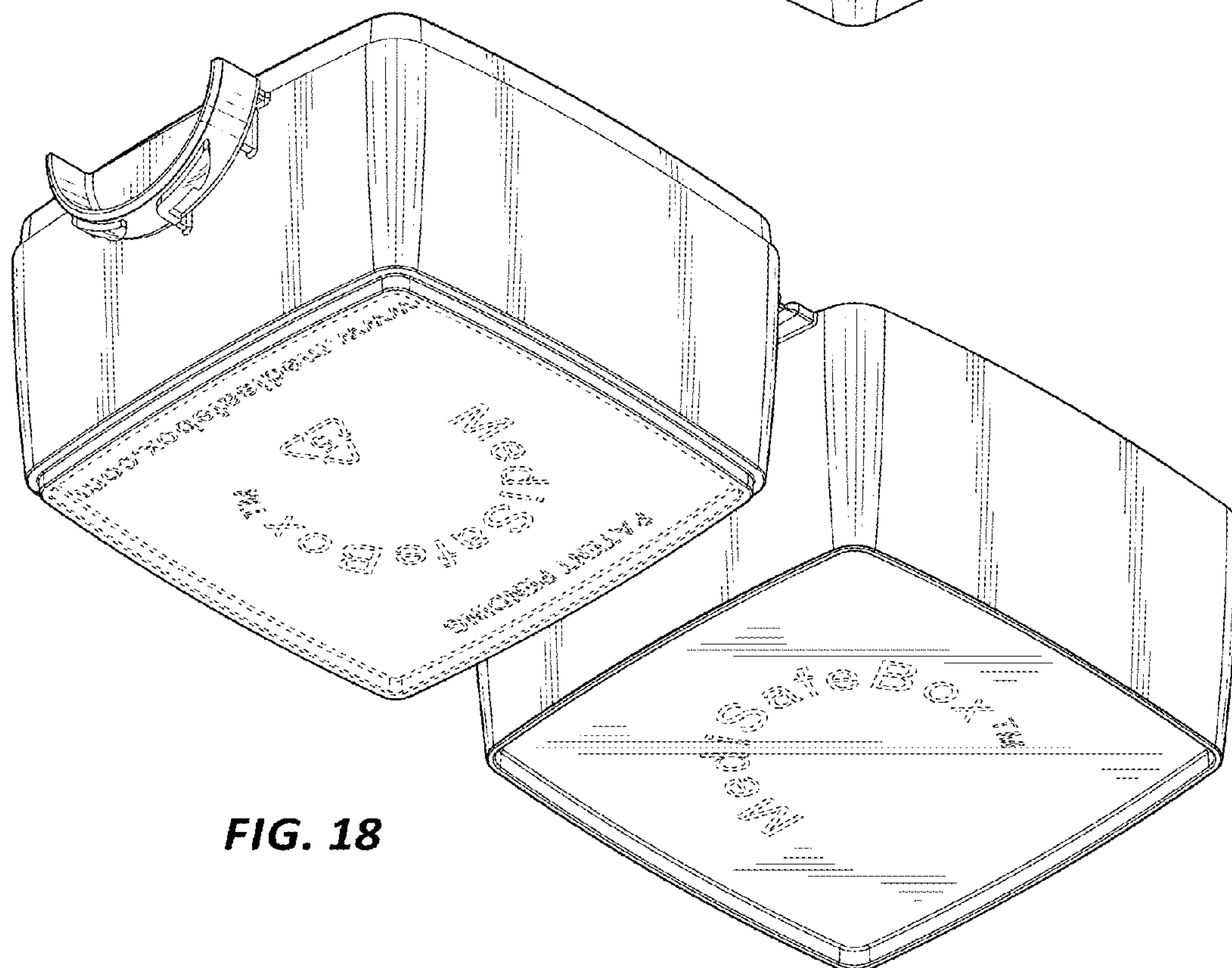


FIG. 18

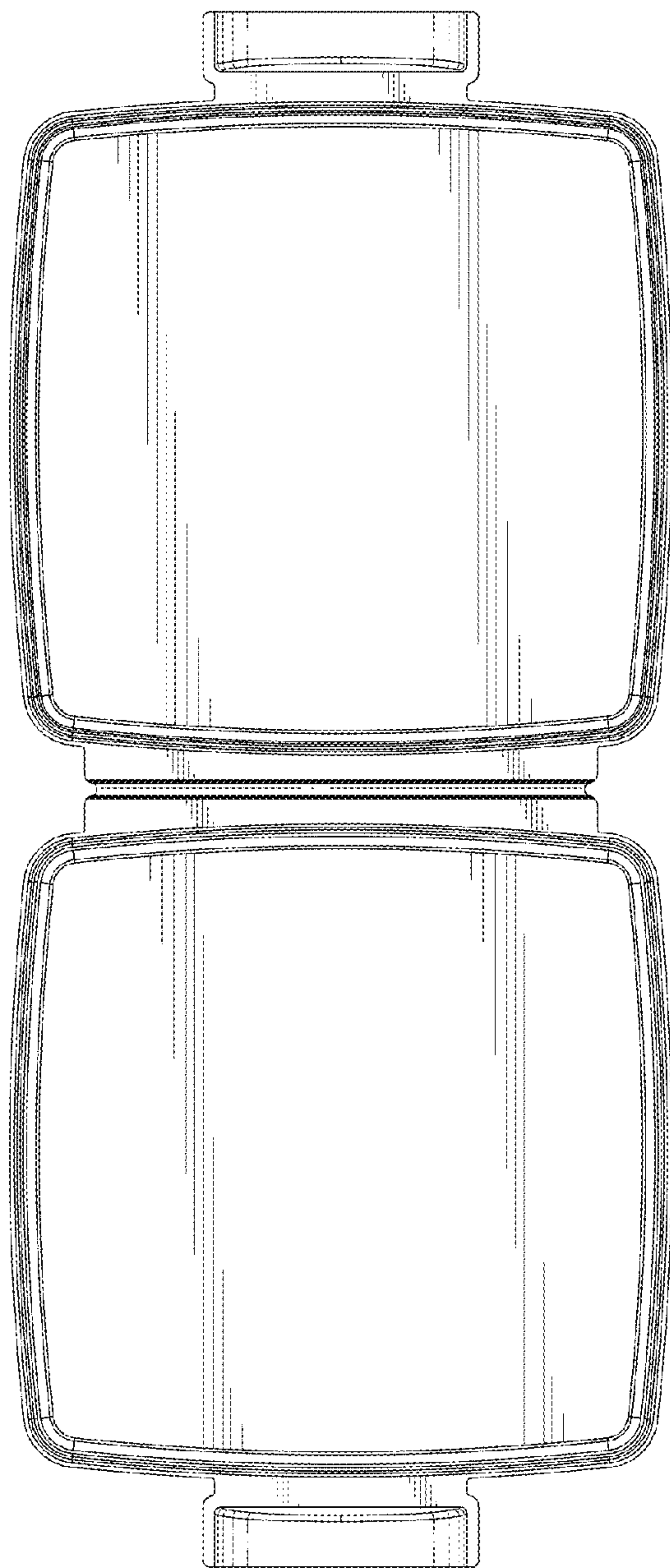


FIG. 19

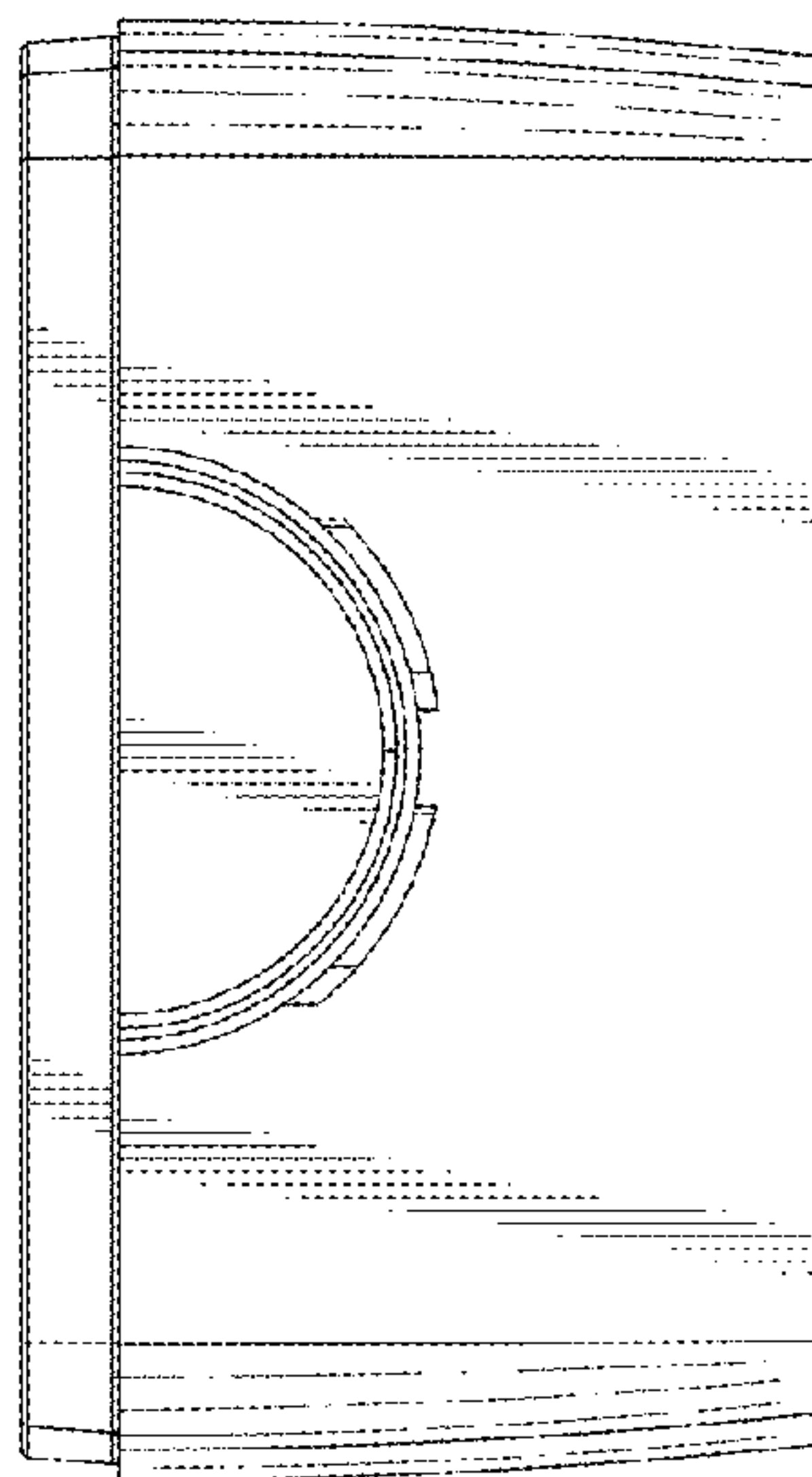


FIG. 21

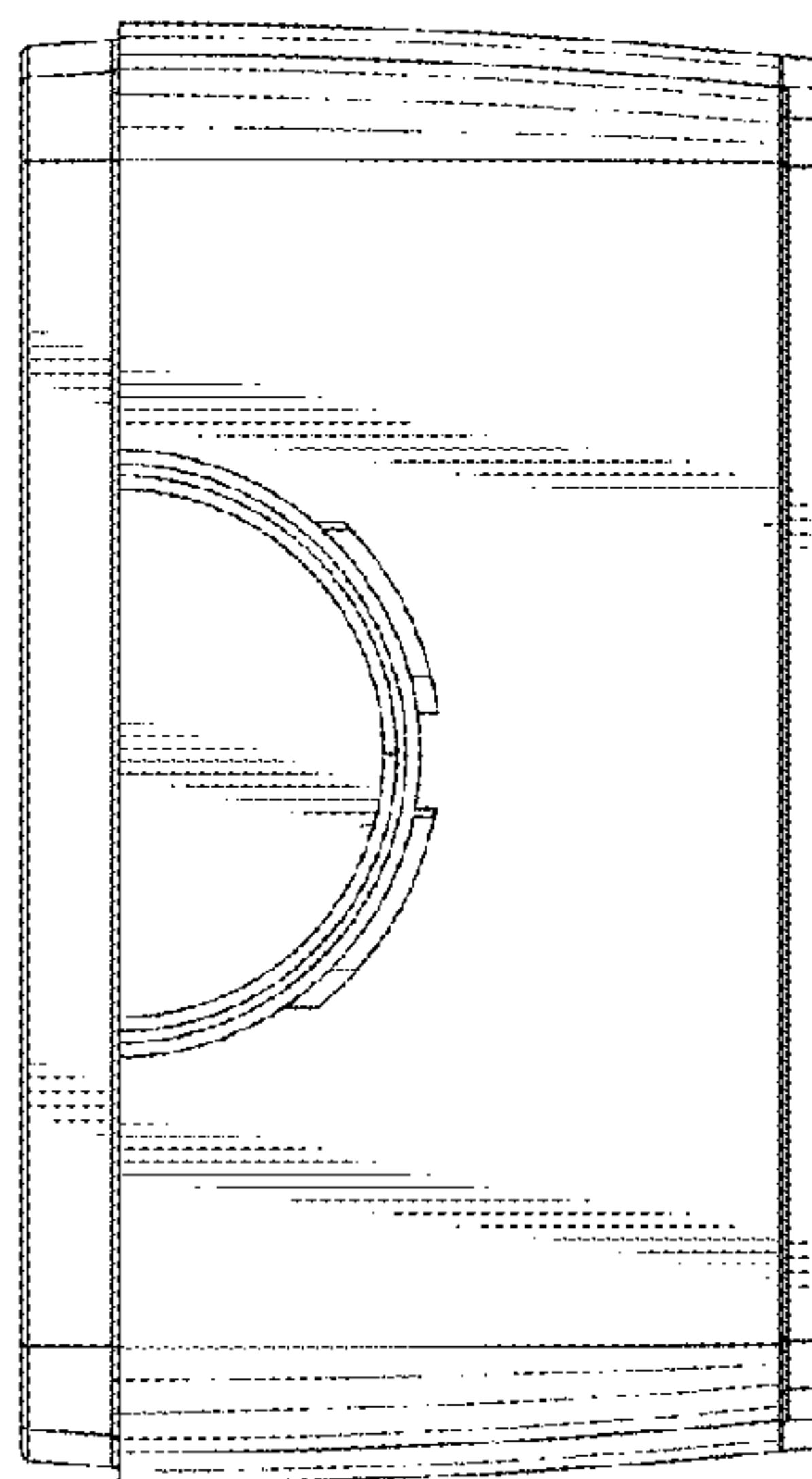


FIG. 20

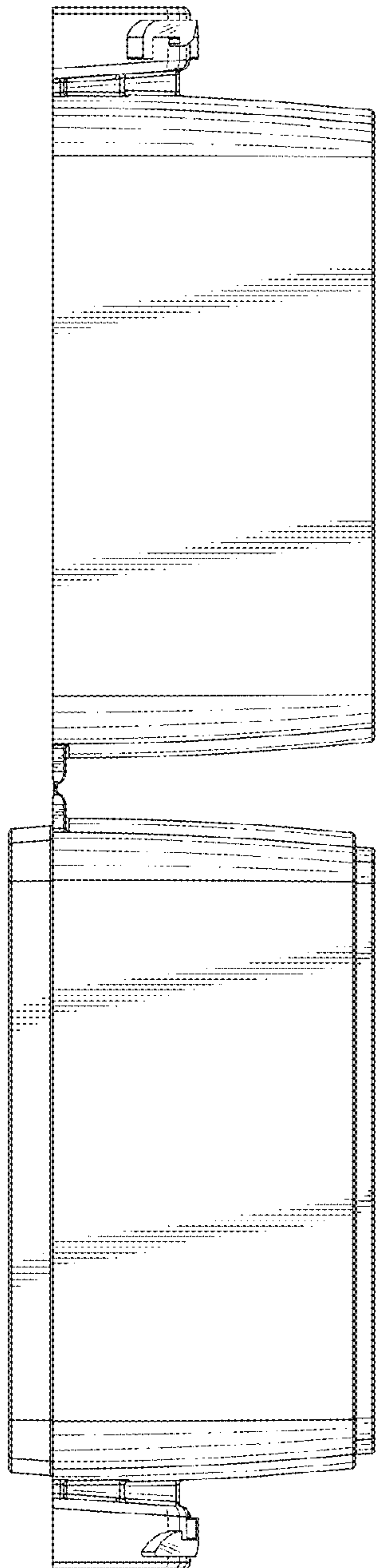


FIG. 22

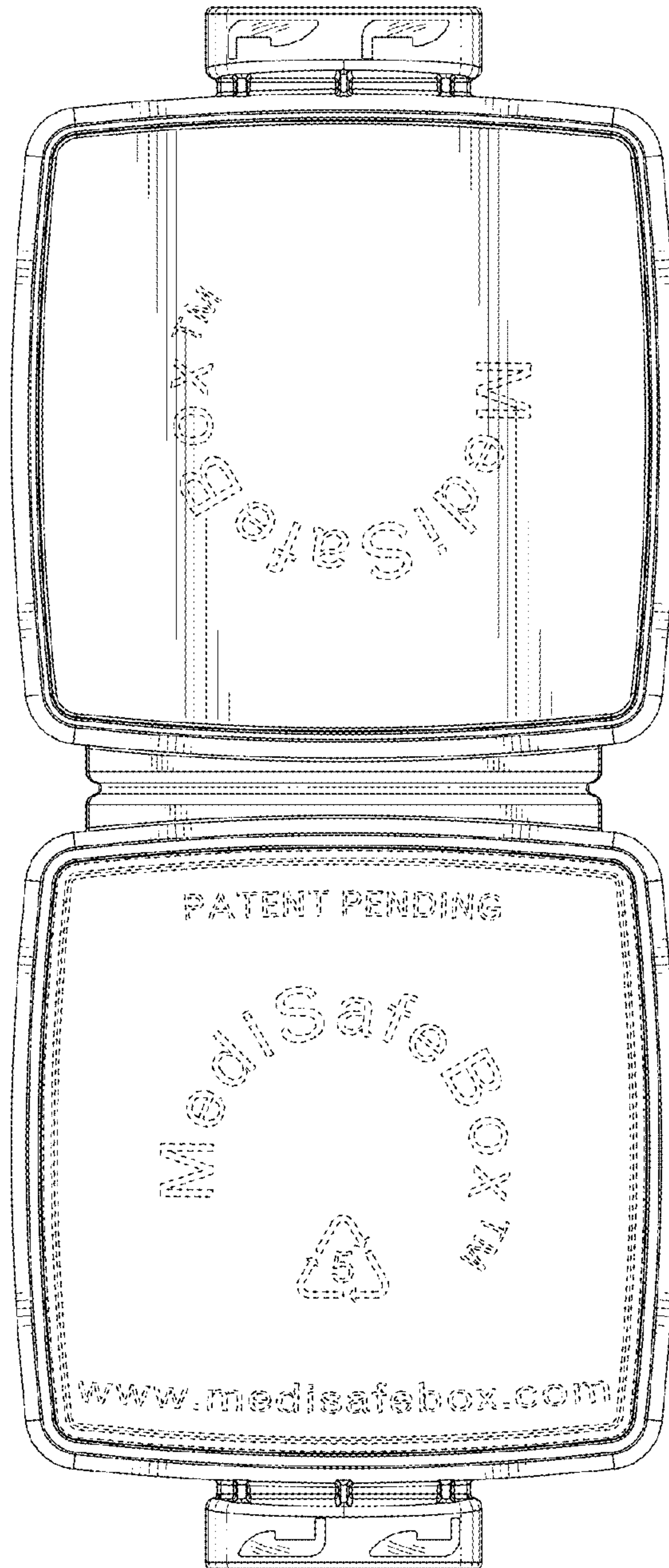


FIG. 23