



US00D756626S

(12) **United States Design Patent**
Tollefsbol et al.

(10) **Patent No.:** **US D756,626 S**
(45) **Date of Patent:** **** May 24, 2016**

- (54) **PROTECTIVE CASE FOR ELECTRONICS**
- (71) Applicant: **Transtector Systems, Inc.**, Hayden, ID (US)
- (72) Inventors: **Trevor Orion Tollefsbol**, Coeur d'Alene, ID (US); **Eric Nguyen**, Coeur d'Alene, ID (US); **Jonah Griffith**, Seattle, WA (US); **Phelan Miller**, Seward, AK (US)
- (73) Assignee: **Transtector Systems, Inc.**, Hayden, ID (US)

D464,196 S *	10/2002	Parker	D3/201
D465,330 S *	11/2002	Parker	D3/201
D467,425 S *	12/2002	Hardigg	D3/276
D467,426 S *	12/2002	Hardigg	D3/276
D516,309 S *	3/2006	Richardson	D3/273
D520,237 S *	5/2006	Cheng	D3/276
D523,242 S *	6/2006	Hardigg	D3/276
D576,785 S *	9/2008	TerMeer	D3/201
D577,904 S *	10/2008	Sasaki	D3/201
D627,165 S *	11/2010	Habersetzer	D3/284
D636,993 S *	5/2011	Okuda	D3/276
8,526,180 B2 *	9/2013	Rayner	G06F 1/1626 206/320
D712,137 S *	9/2014	Hsu	D3/228
D733,429 S *	7/2015	Grenier	D3/294

(**) Term: **15 Years**

(21) Appl. No.: **29/529,587**

(22) Filed: **Jun. 9, 2015**

(51) **LOC (10) Cl.** **03-01**

(52) **U.S. Cl.**
USPC **D3/201**

(58) **Field of Classification Search**
USPC D3/201, 276, 203.6, 263, 267, 282,
D3/294; D6/631-634

CPC A45C 3/02; A45C 13/20; A45C 7/0022;
A45C 13/262; B25H 3/02

See application file for complete search history.

(56) **References Cited**

U.S. PATENT DOCUMENTS

D275,822 S *	10/1984	Gatland	D3/282
D356,891 S *	4/1995	Hobson	D3/201
D369,901 S *	5/1996	Laube	D3/201
D439,407 S *	3/2001	Parker	D3/276
D457,374 S *	5/2002	Lee	D3/201

* cited by examiner

Primary Examiner — John Windmuller

Assistant Examiner — Steven Czyz

(74) *Attorney, Agent, or Firm* — Snell & Wilmer LLP

(57) **CLAIM**

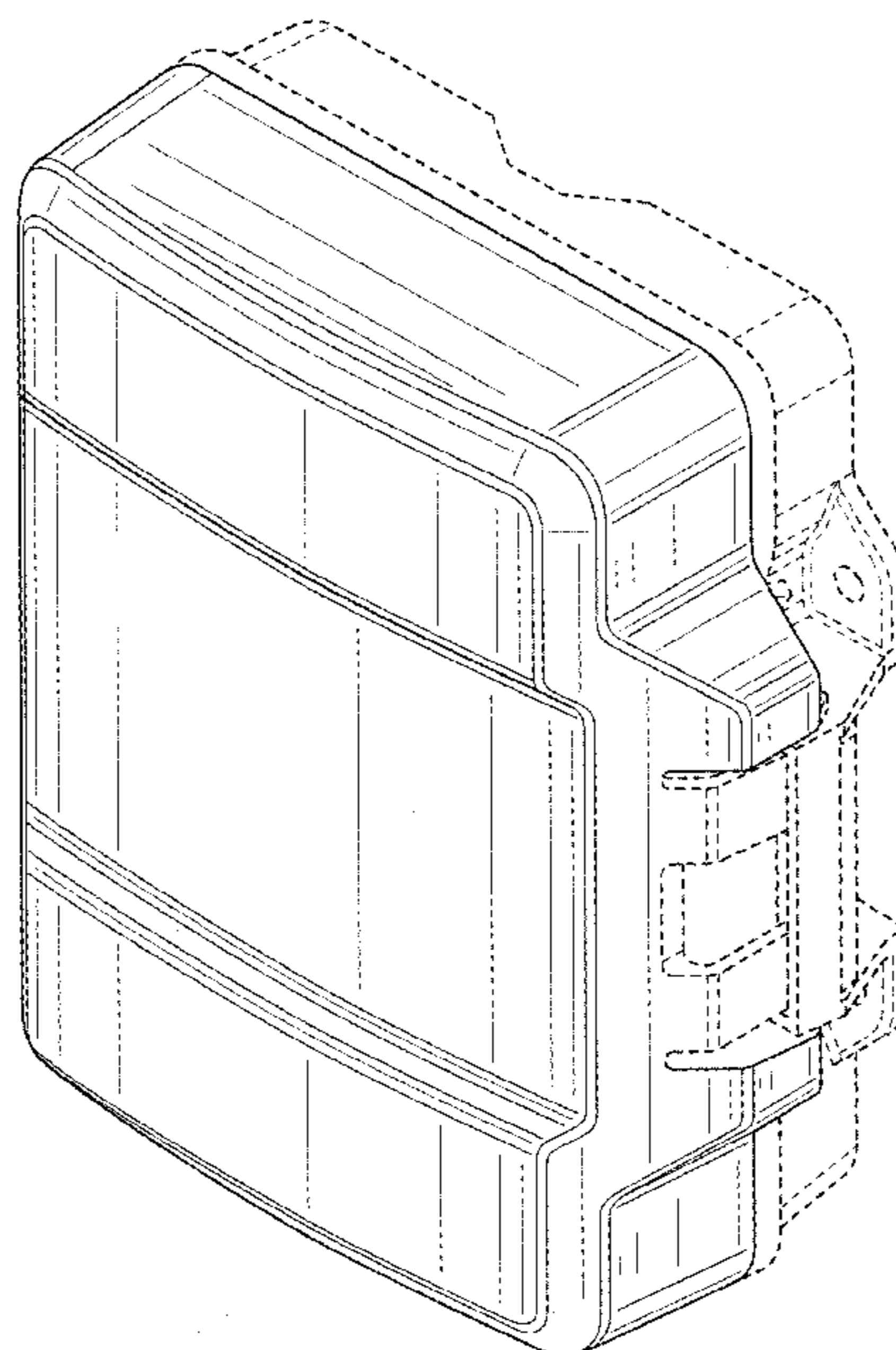
We claim the ornamental design for a protective case for electronics, as shown and described.

DESCRIPTION

FIG. 1 is a front perspective view of a protective case for electronics showing our new design;
FIG. 2 is a front view thereof;
FIG. 3 is a rear view thereof;
FIG. 4 is a left view thereof;
FIG. 5 is a right view thereof;
FIG. 6 is a top view thereof; and,
FIG. 7 is a bottom view thereof.

The broken lines depict portions of the article that form no part of the claimed design.

1 Claim, 6 Drawing Sheets



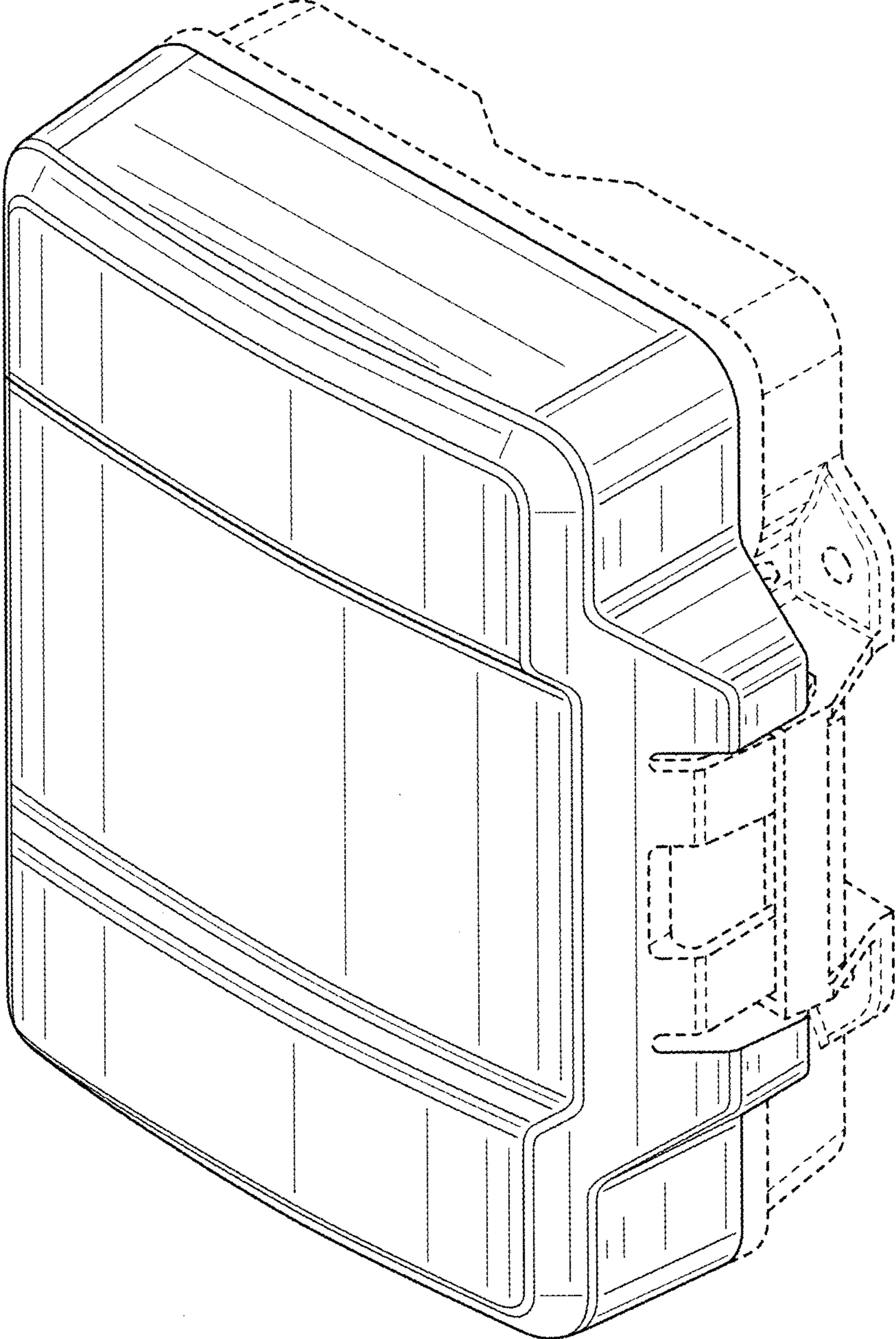


FIG. 1

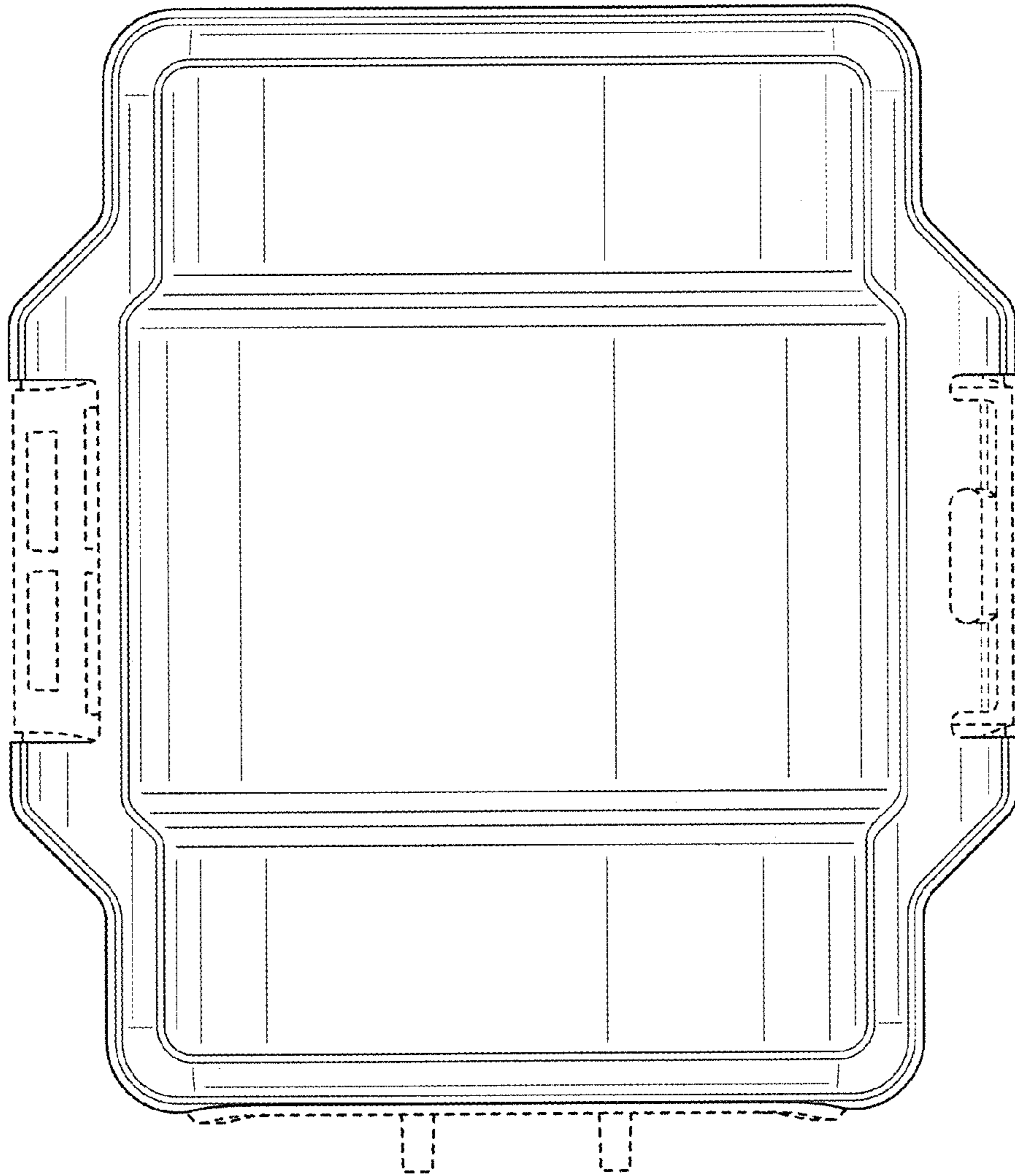


FIG. 2

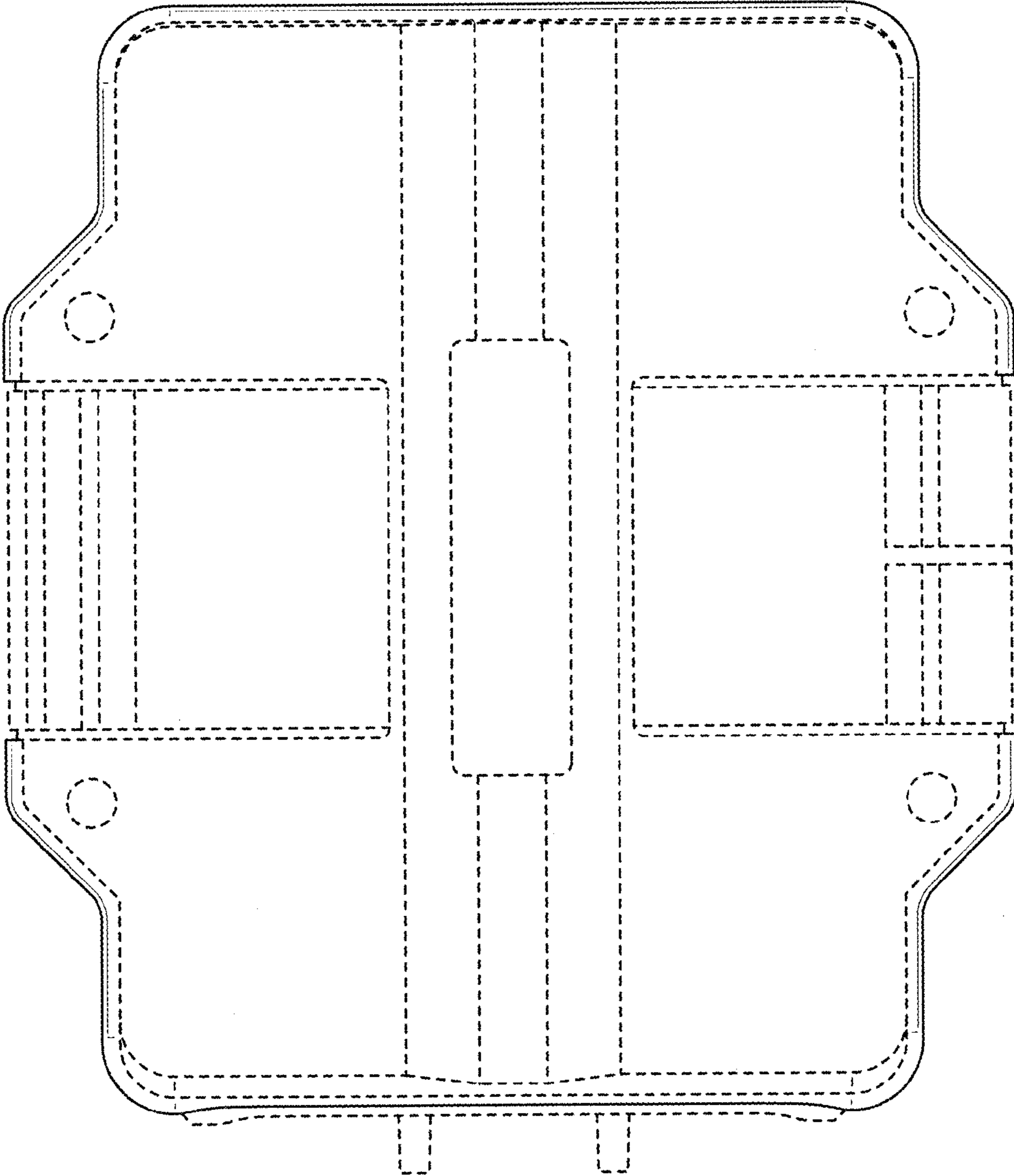


FIG. 3

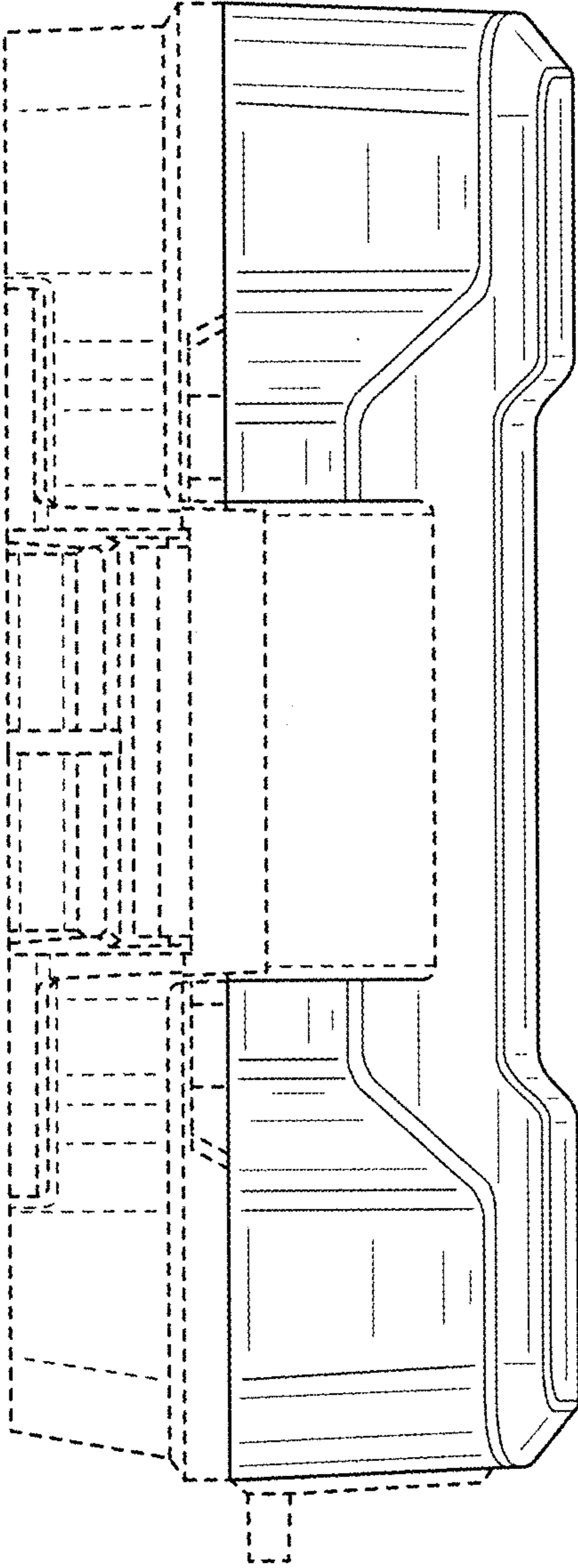


FIG. 4

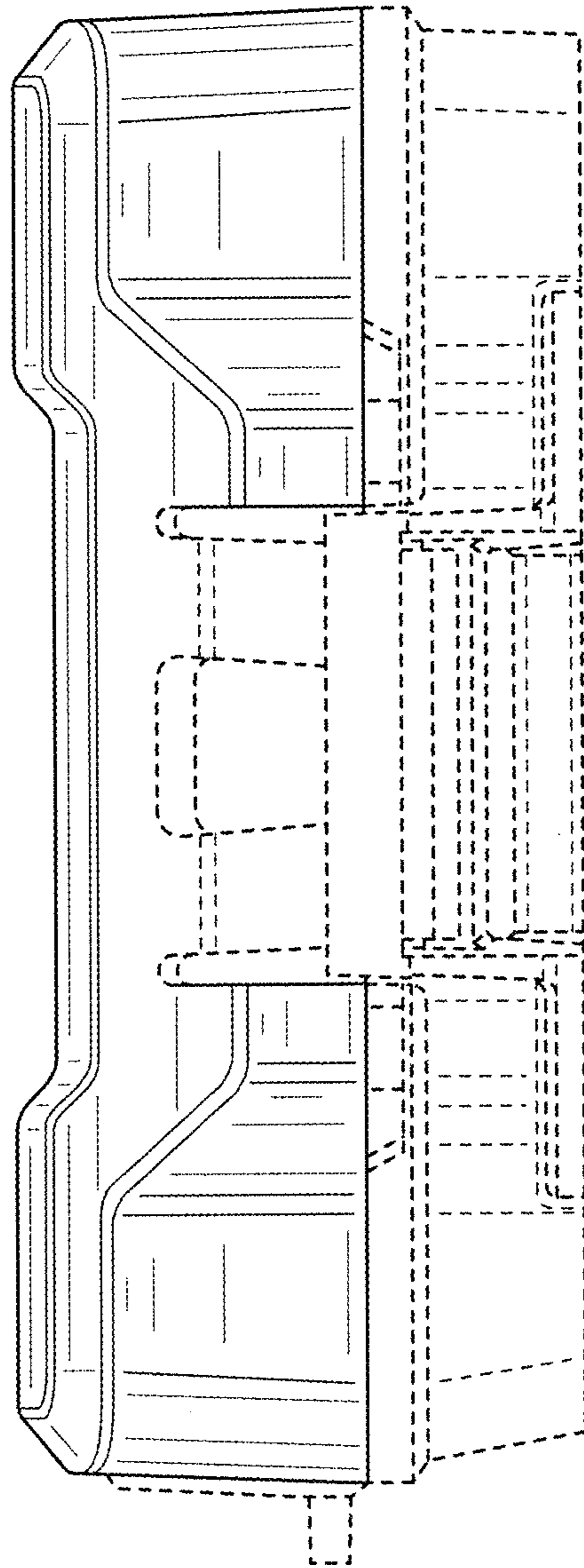


FIG. 5

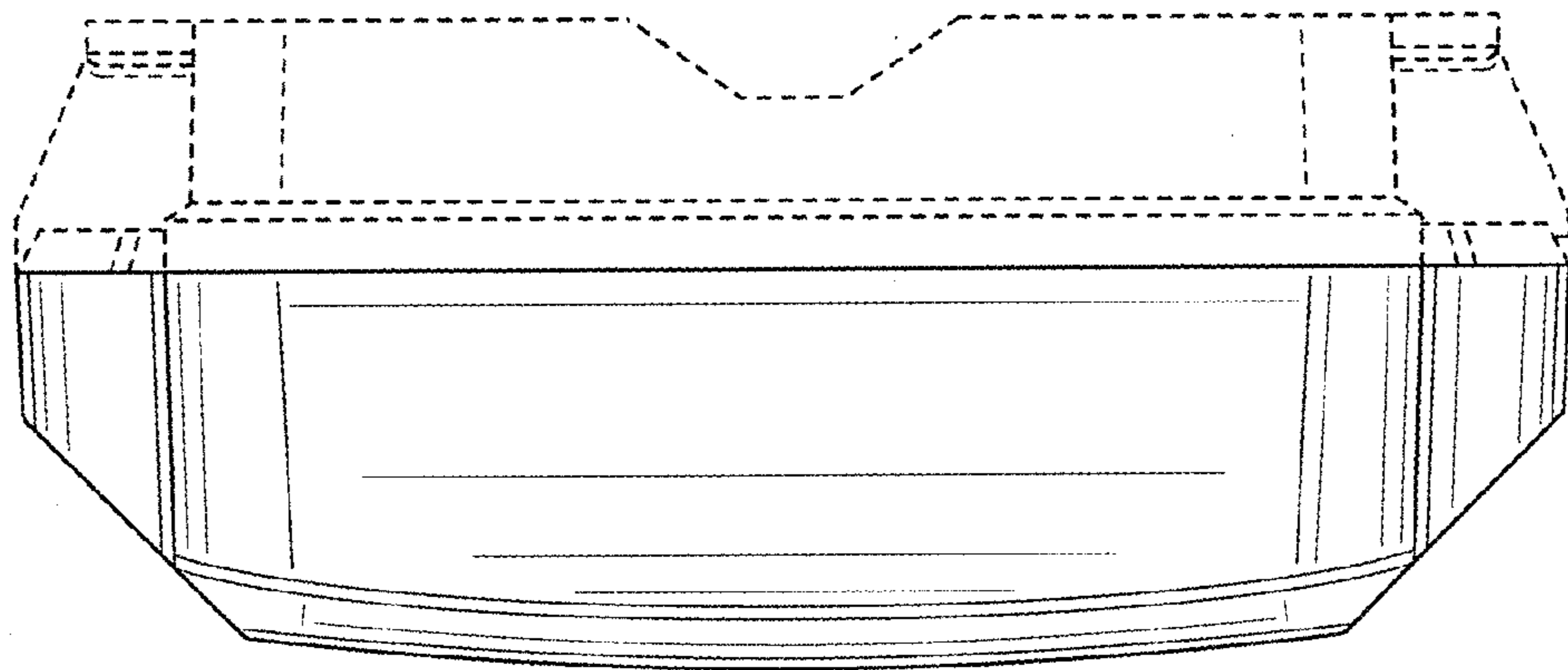


FIG. 6

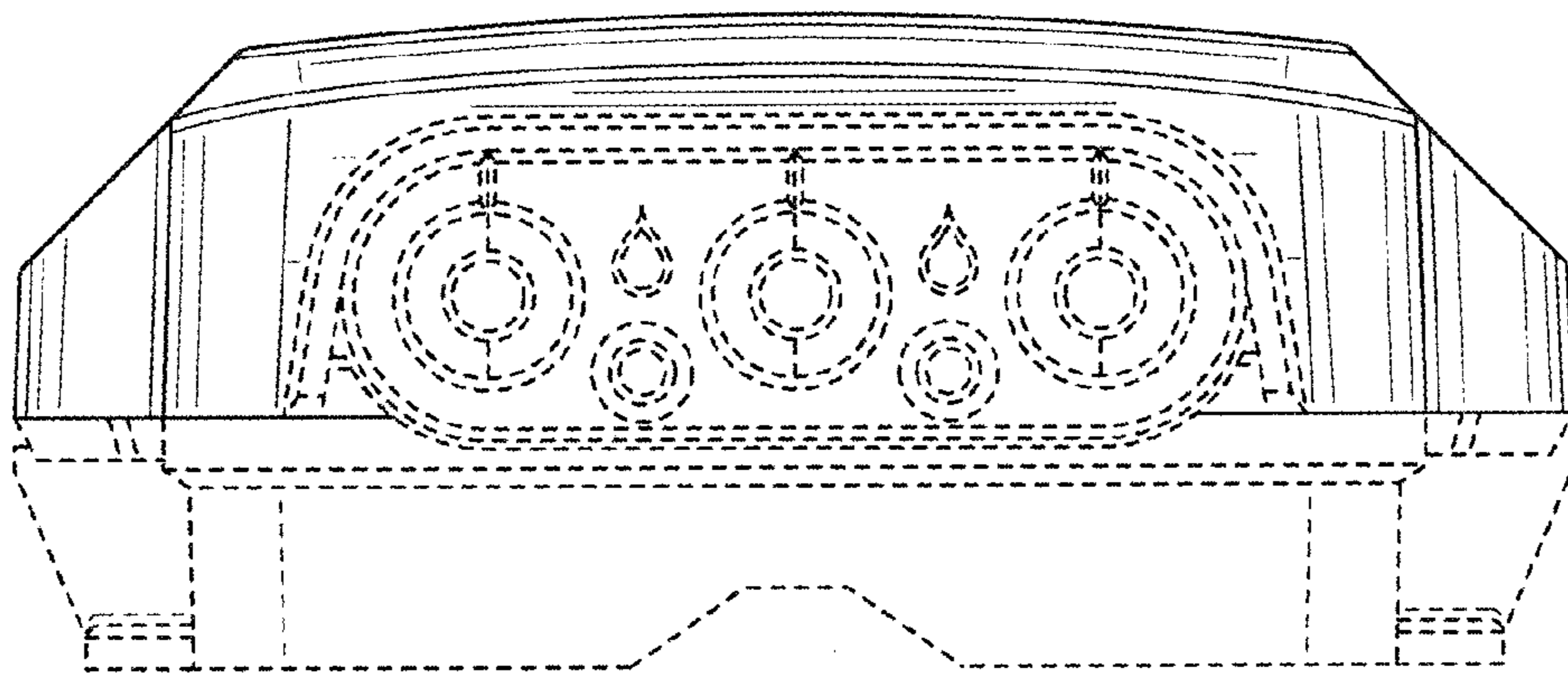


FIG. 7