

US00D756624S

(12) **United States Design Patent**  
**Masgoret Pueyo et al.**

(10) **Patent No.:** **US D756,624 S**  
(45) **Date of Patent:** **\*\* May 24, 2016**

(54) **UMBRELLA COVER**

(71) Applicants: **Francisco Javier Masgoret Pueyo**,  
Barcelona (ES); **Francisco Javier Galindo Sanchez**, Barcelona (ES)

(72) Inventors: **Francisco Javier Masgoret Pueyo**,  
Barcelona (ES); **Francisco Javier Galindo Sanchez**, Barcelona (ES)

(\*\*) Term: **14 Years**

(21) Appl. No.: **29/445,493**

(22) Filed: **Feb. 12, 2013**

(30) **Foreign Application Priority Data**

Dec. 10, 2012 (EM) ..... 002149989-001

(51) **LOC (10) Cl.** ..... **03-01**

(52) **U.S. Cl.**  
USPC ..... **D3/11; D3/10**

(58) **Field of Classification Search**  
USPC ..... D3/5, 10, 11, 204, 215, 220, 221, 222,  
D3/225, 228, 243, 259, 262, 315, 316, 327,  
D3/328, 904; D17/99; D24/128; 43/26;  
135/25.1, 34.2, 37, 88.11; 206/317  
CPC .... A45B 1/00; A45B 2009/002; A45B 11/00;  
A45B 23/00; A45B 2200/1054; A45B  
2025/003

See application file for complete search history.

(56) **References Cited**

**U.S. PATENT DOCUMENTS**

1,686,323 A \* 10/1928 Von Der Heyde ..... 473/282  
1,891,184 A \* 12/1932 Salomon ..... 135/34.2  
D140,671 S \* 3/1945 Pascal ..... D6/553  
D255,399 S \* 6/1980 Loew ..... D3/11  
4,378,888 A 4/1983 Reed  
D283,758 S \* 5/1986 Stewart et al. .... D7/703  
D343,954 S \* 2/1994 Simmons ..... D22/107

6,105,839 A 8/2000 Bell  
D476,151 S \* 6/2003 Peterson ..... D3/254  
D692,651 S \* 11/2013 Chin ..... D3/11  
D702,942 S \* 4/2014 Redman ..... D3/290

**FOREIGN PATENT DOCUMENTS**

BR PI0801227 A2 11/2009  
DE 3524855 A1 12/1985  
DE 8532909 U 3/1986  
EP 0376153 A2 7/1990  
GB 2282999 A 4/1995  
GB 2370500 A 7/2002  
JP 55098273 7/1980  
JP 62097057 U 6/1987  
JP 8072619 A 3/1996  
JP 8127289 A 5/1996  
JP 2005-231408 A 2/2005  
JP 2009-183653 A 8/2009  
WO WO 2005079618 A1 9/2005

\* cited by examiner

*Primary Examiner* — Thomas Johannes  
*Assistant Examiner* — Catherine Posthauer  
(74) *Attorney, Agent, or Firm* — Leason Ellis LLP

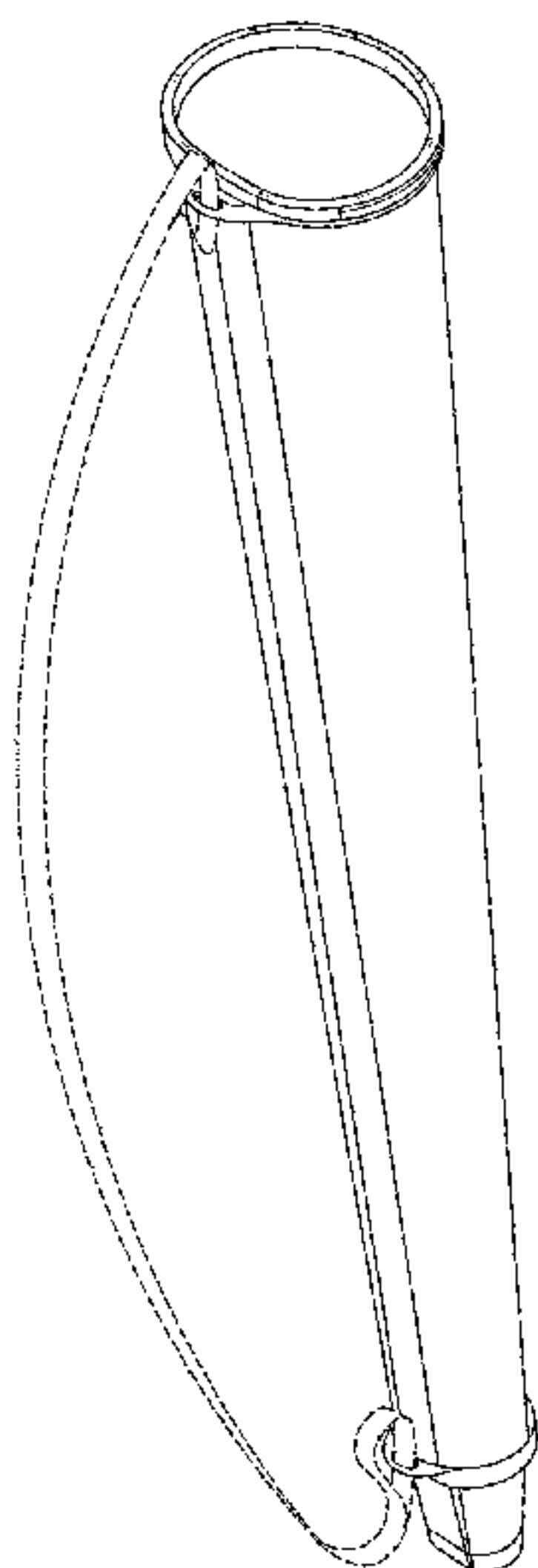
(57) **CLAIM**

The ornamental design for umbrella cover, as shown and described.

**DESCRIPTION**

FIG. 1 is a perspective view of a single umbrella cover illustrating my new design;  
FIG. 2 is a front plan view of FIG. 1;  
FIG. 3 is a rear plan view of FIG. 1;  
FIG. 4 is a right-side view of FIG. 1;  
FIG. 5 is a left-side view of FIG. 1;  
FIG. 6 is an enlarged top plan view of FIG. 1; and,  
FIG. 7 is an enlarged bottom view of FIG. 1.  
The broken lines are shown for the purpose of illustrating unclaimed portions of the umbrella cover and form no part of the claimed design.

**1 Claim, 7 Drawing Sheets**



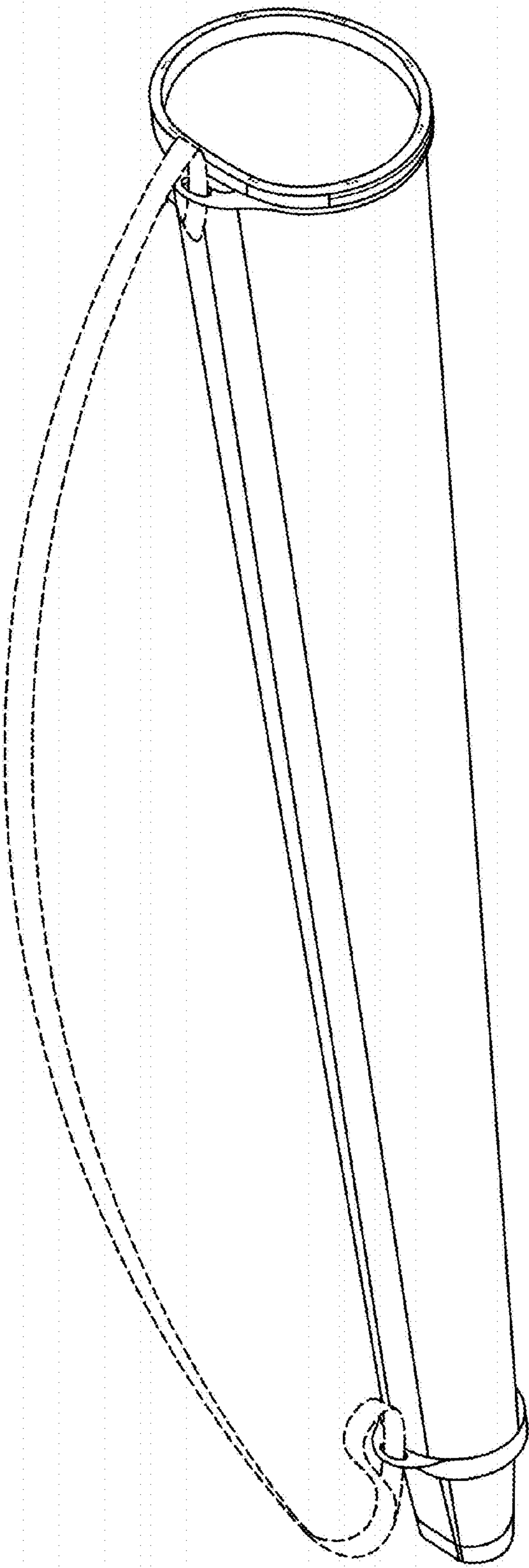
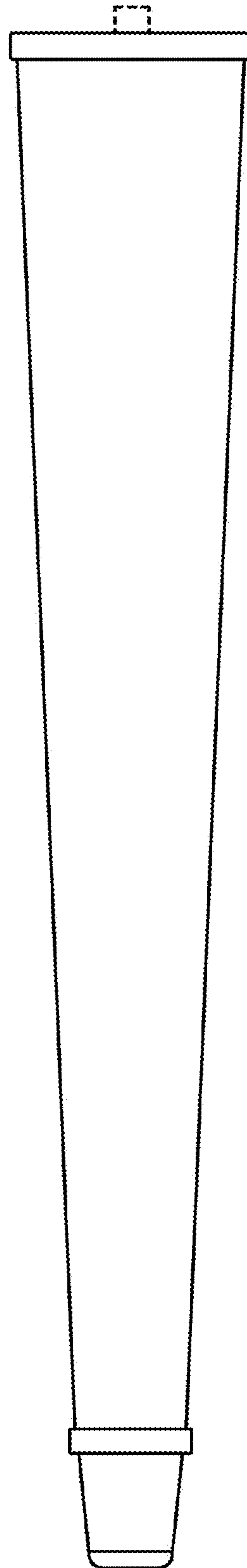


Fig. 1



**Fig. 2**

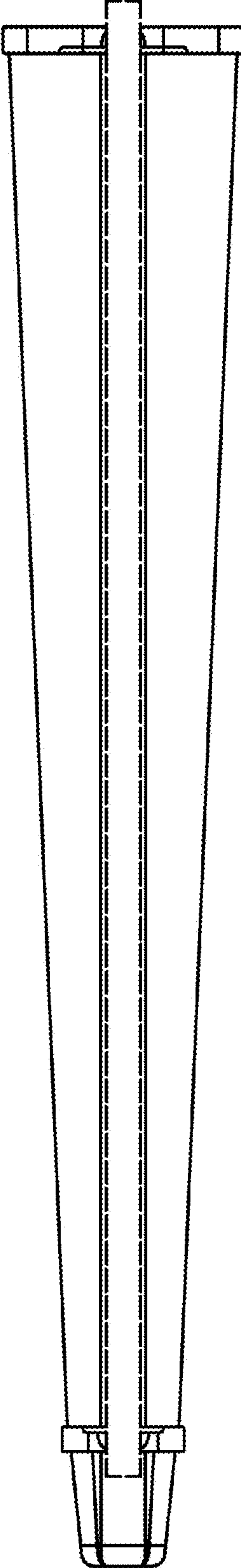


Fig. 3

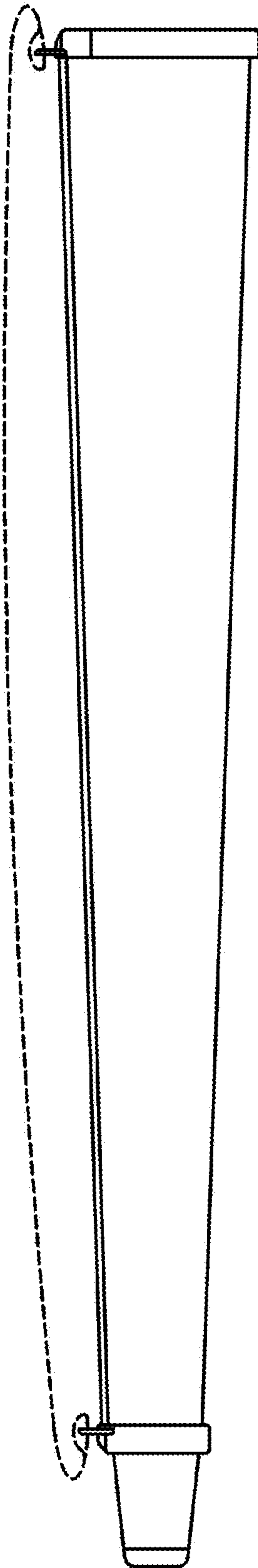


Fig. 4

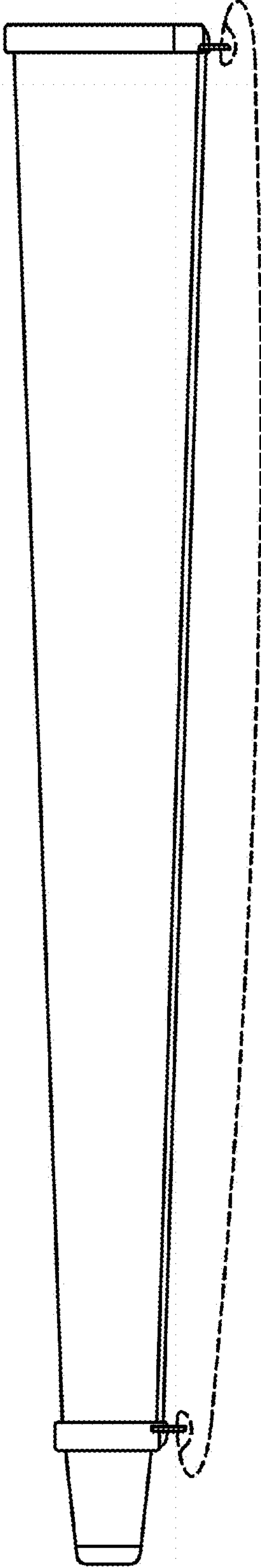


Fig. 5

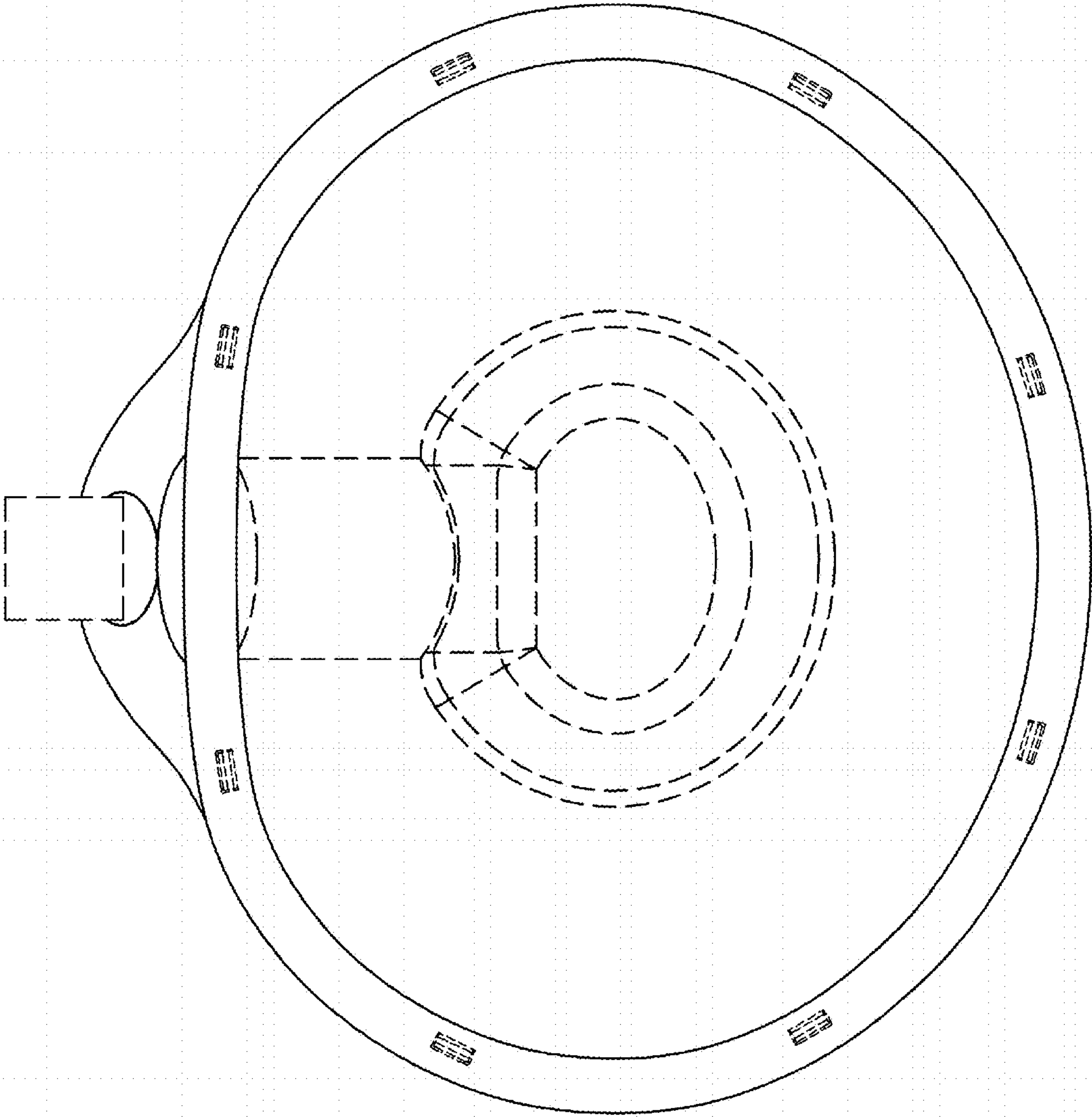


Fig. 6



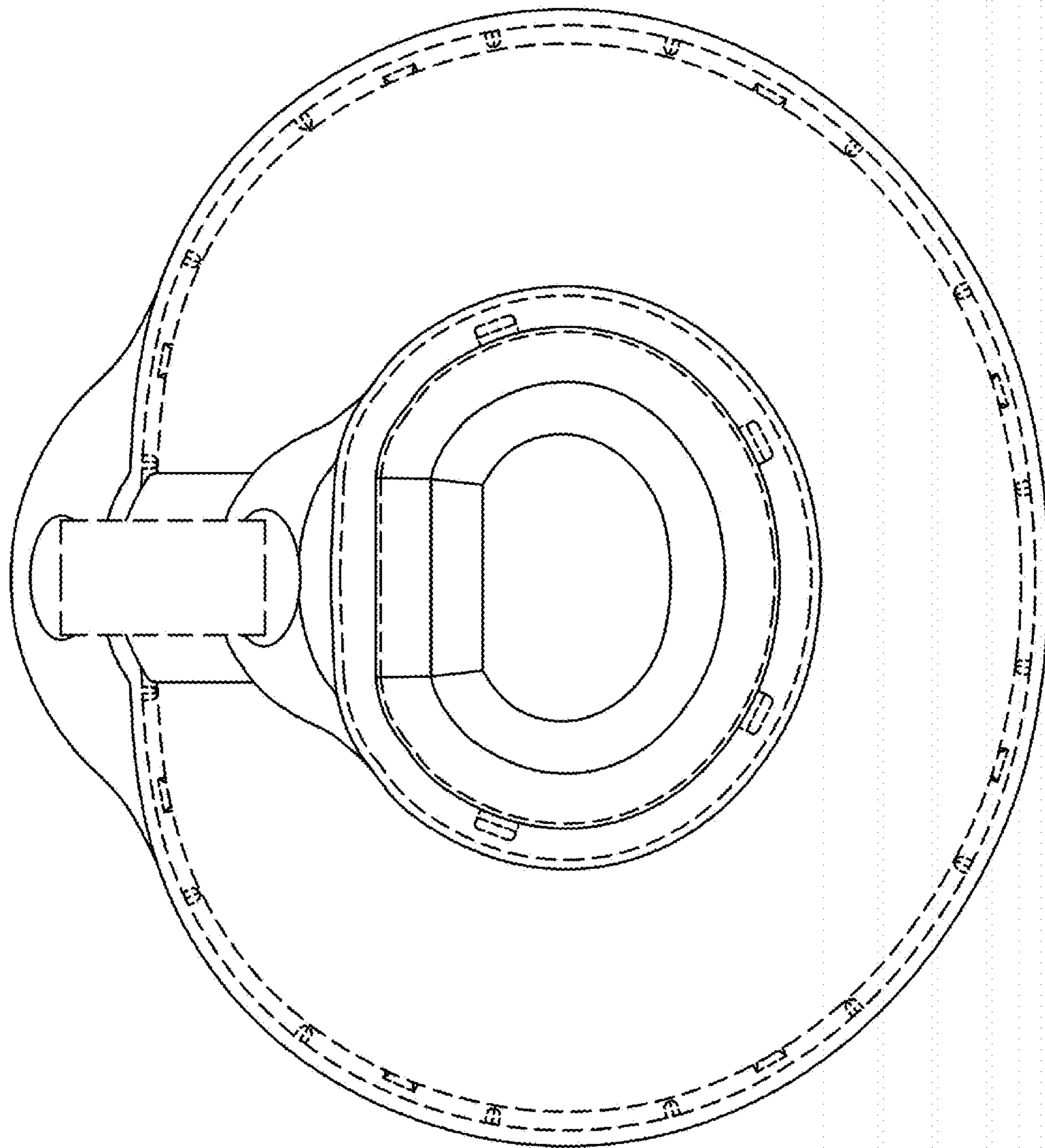


Fig. 7