



US00D756623S

(12) **United States Design Patent**  
**Akin et al.**

(10) **Patent No.:** **US D756,623 S**  
(45) **Date of Patent:** **\*\* May 24, 2016**

- (54) **UMBRELLA CAP**
- (71) Applicant: **ZON**, Manhattan Beach, CA (US)
- (72) Inventors: **Sarah Akin**, Manhattan Beach, CA (US); **David Johnson**, San Francisco, CA (US)
- (73) Assignee: **ZON**, Manhattan Beach, CA (US)
- (\*\*) Term: **14 Years**
- (21) Appl. No.: **29/526,699**
- (22) Filed: **May 12, 2015**

D371,902 S	7/1996	Lee	
6,830,058 B2	12/2004	Li	
6,923,058 B2	8/2005	Nieman et al.	
7,000,624 B2	2/2006	Chang	
7,013,903 B2	3/2006	Li	
7,562,667 B2	7/2009	Li	
D623,844 S	9/2010	Elder	
D637,389 S	5/2011	Beaulieu	
D638,622 S	5/2011	He	
D668,443 S	10/2012	Sims, II	
8,360,079 B2	1/2013	Li	
8,393,340 B2 *	3/2013	Tung	A45B 17/00 135/15.1
D684,353 S	6/2013	Grohs	
D700,772 S *	3/2014	Akin	D3/10
D703,940 S *	5/2014	Akin	D3/10
D704,428 S *	5/2014	Akin	D3/10
2002/0078986 A1	6/2002	Tsun	

**Related U.S. Application Data**

- (60) Division of application No. 29/468,004, filed on Sep. 25, 2013, now Pat. No. Des. 728,919, which is a continuation of application No. 29/461,658, filed on Jul. 26, 2013, now Pat. No. Des. 693,560.
- (51) **LOC (10) Cl.** ..... **03-03**
- (52) **U.S. Cl.**  
USPC ..... **D3/5; D3/10**
- (58) **Field of Classification Search**  
USPC ..... **D3/5, 10; 135/15.1, 33.2, 20.1**  
See application file for complete search history.

**References Cited**

**U.S. PATENT DOCUMENTS**

312,446 A *	2/1885	Drake	A45B 19/10 135/25.3
2,571,634 A	10/1951	Von Gunten	
2,679,256 A	5/1954	Bocchino et al.	
3,456,661 A	7/1969	Farley	
4,193,389 A	3/1980	Ku	
4,836,232 A	6/1989	De Rosa et al.	
D345,645 S	4/1994	Good	

\* cited by examiner

*Primary Examiner* — John Windmuller  
(74) *Attorney, Agent, or Firm* — Aka Chan LLP

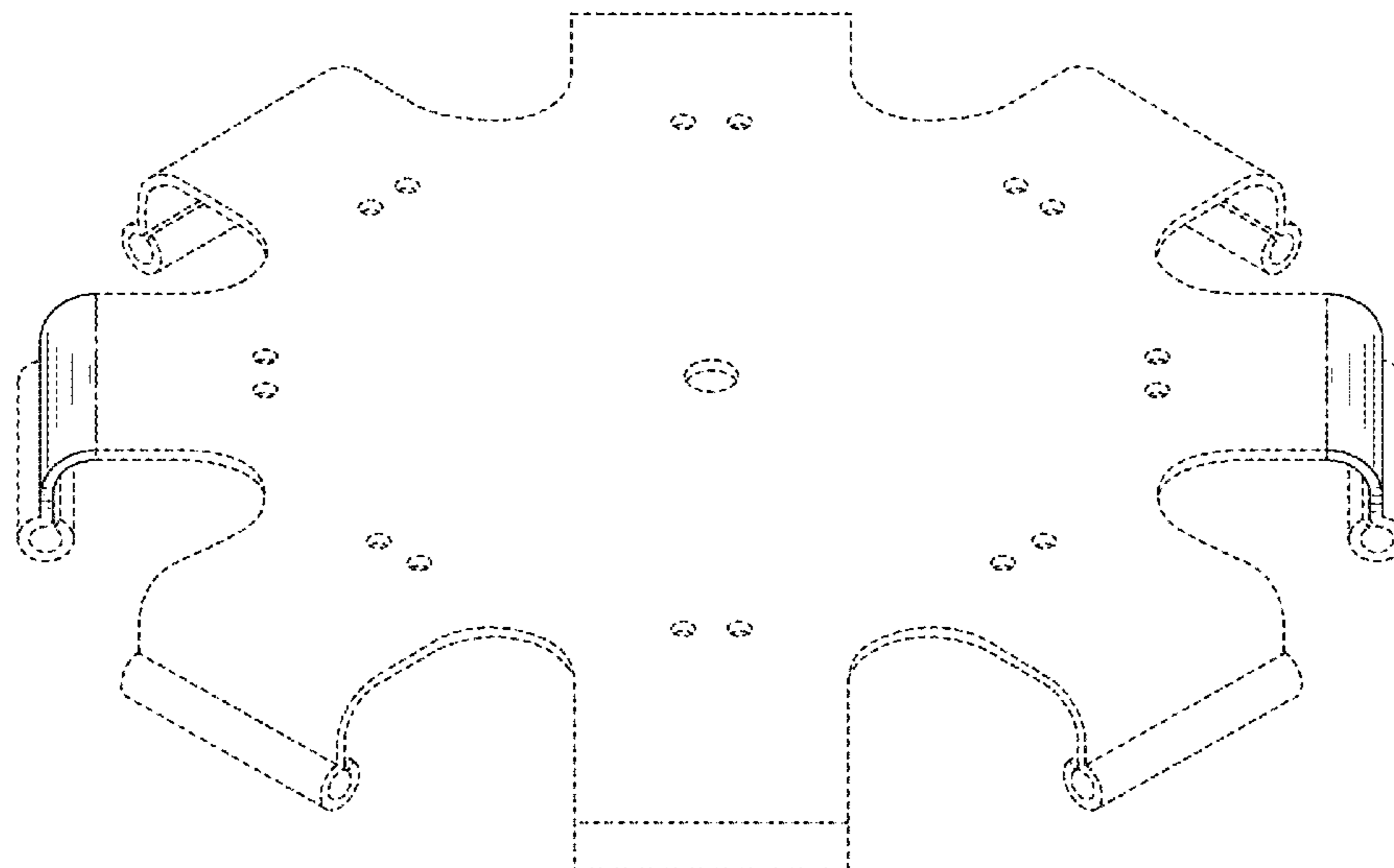
(57) **CLAIM**

The ornamental design for an umbrella cap, as shown and described.

**DESCRIPTION**

FIG. 1 shows a perspective view of a design for an umbrella cap.  
 FIG. 2 shows a first side view of FIG. 1.  
 FIG. 3 shows a second side view of FIG. 1.  
 FIG. 4 shows a top view of FIG. 1; and,  
 FIG. 5 shows a perspective view of FIG. 1 in use in an umbrella.  
 The unshaded broken-line features in the figures are for illustrative purposes only and form no part of the claimed design.  
 The umbrella in FIG. 5 is unclaimed environmental subject matter.

**1 Claim, 5 Drawing Sheets**



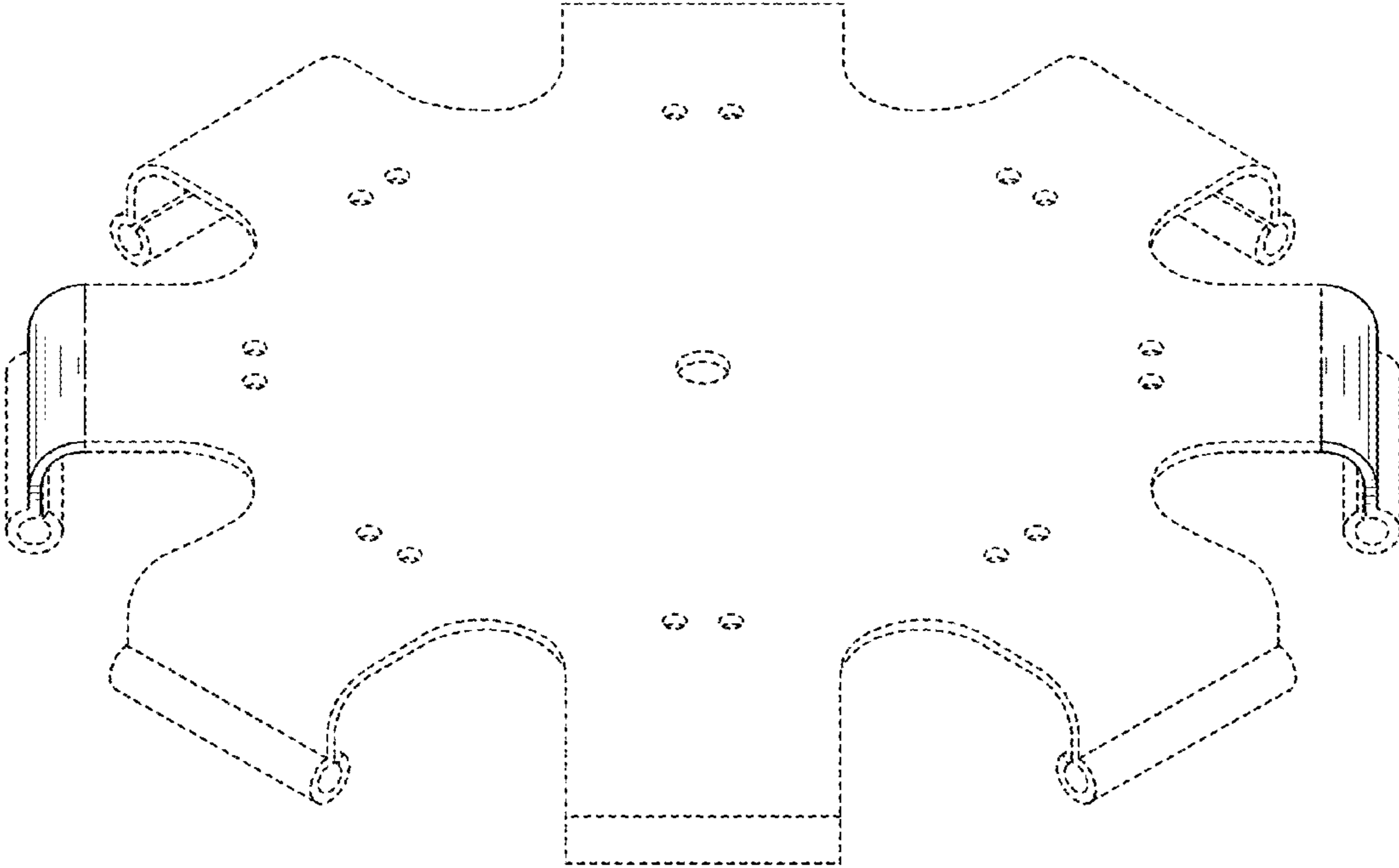


FIG. 1

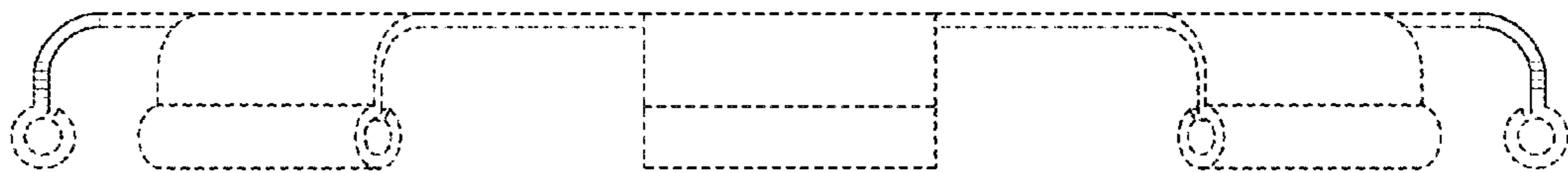


FIG. 2

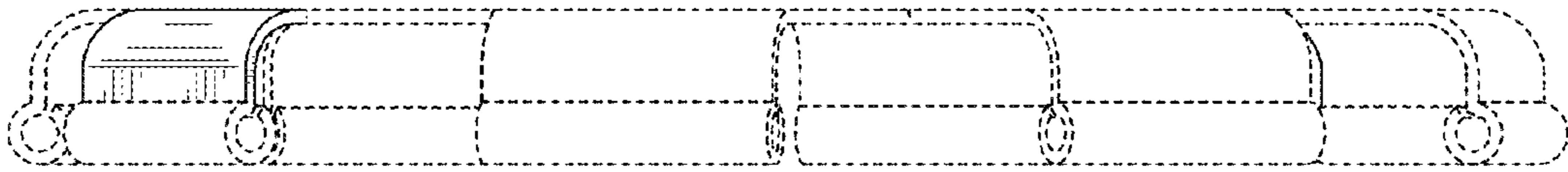


FIG. 3

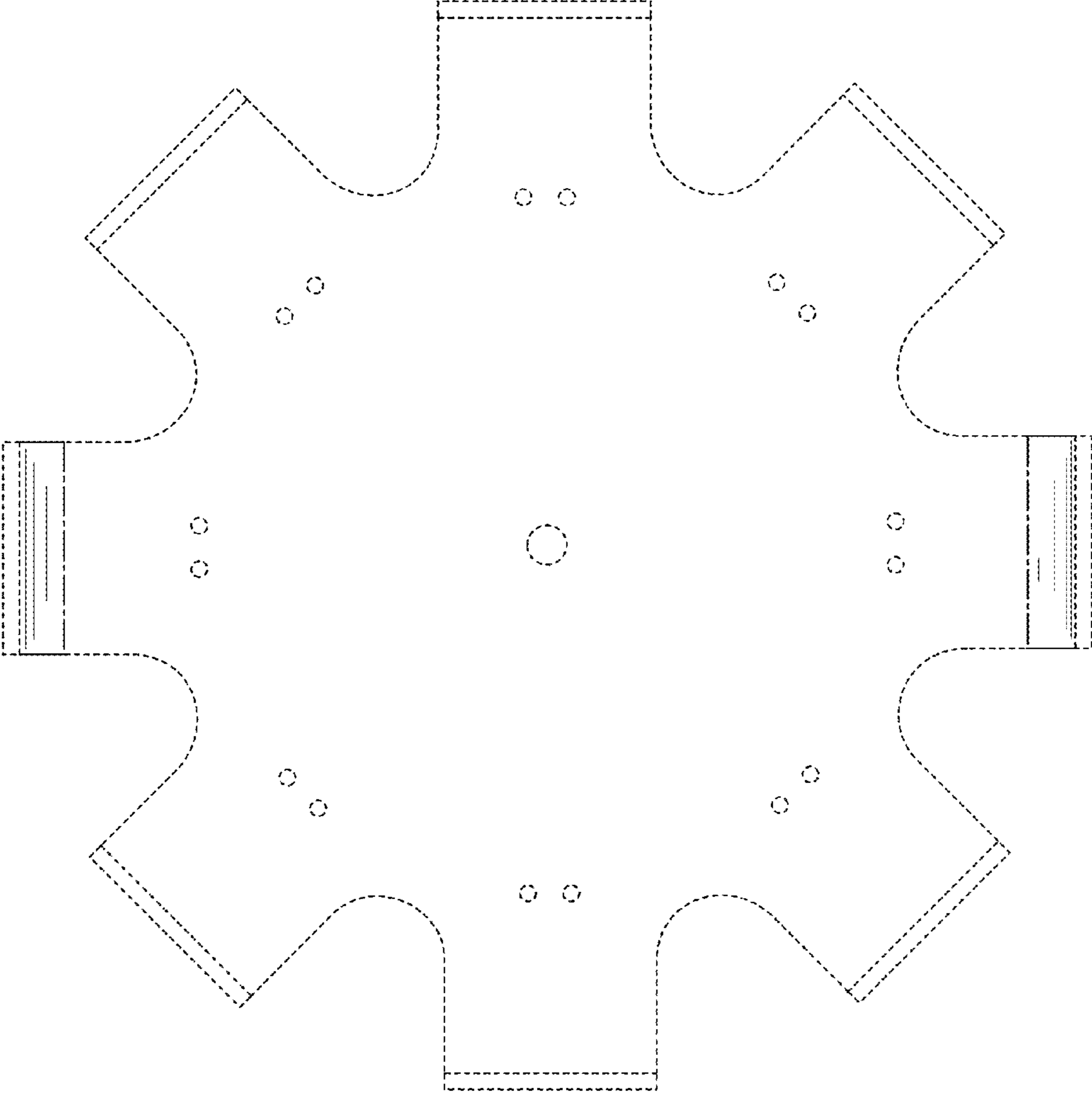


FIG. 4

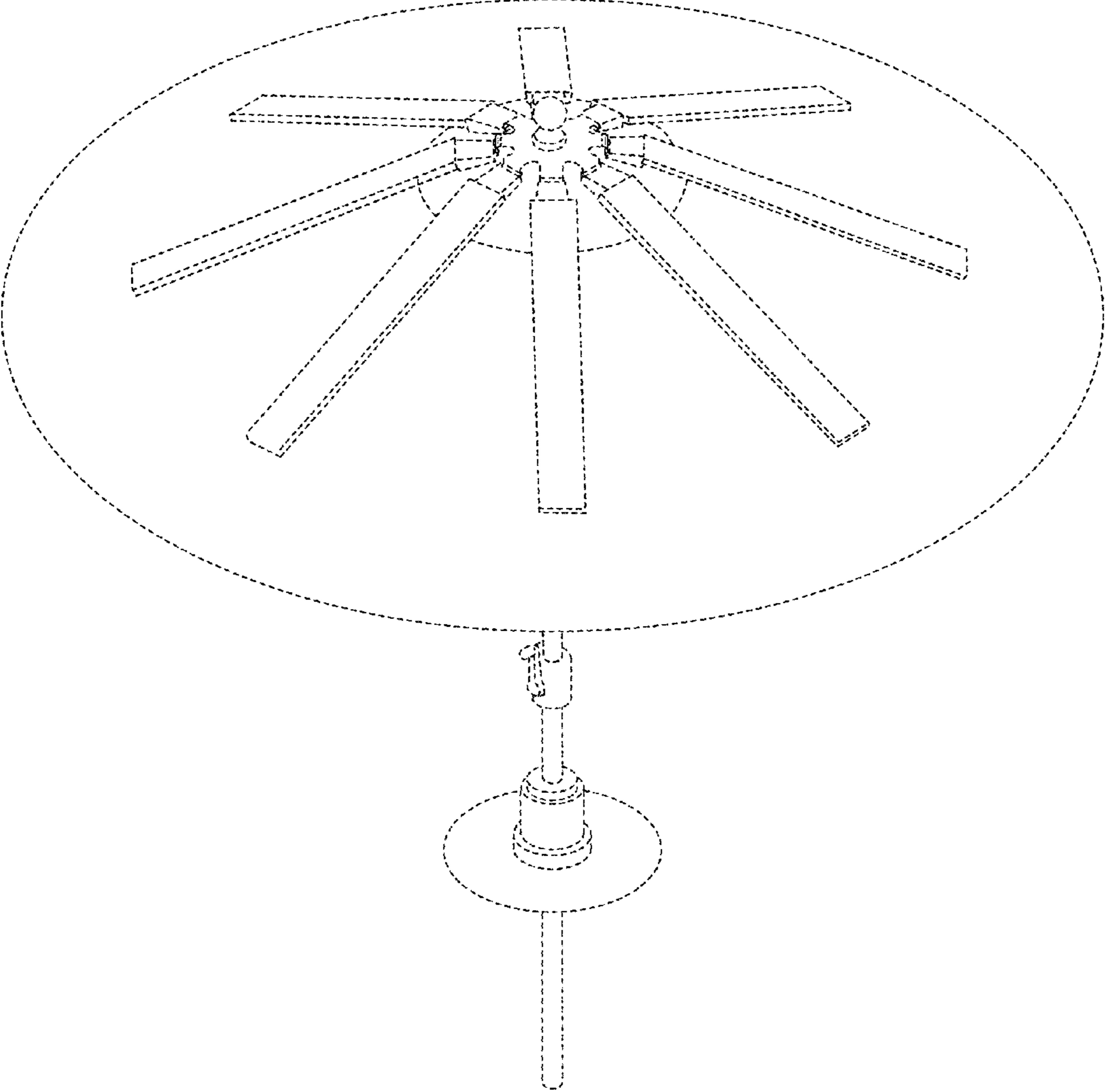


FIG. 5