



US00D756604S

(12) **United States Design Patent**  
**Garafano**

(10) **Patent No.:** **US D756,604 S**

(45) **Date of Patent:** **\*\* May 24, 2016**

(54) **ADJUSTABLE CUFF**

(71) Applicant: **Ronald Garafano**, Cranston, RI (US)

(72) Inventor: **Ronald Garafano**, Cranston, RI (US)

(\*\*) Term: **14 Years**

(21) Appl. No.: **29/466,348**

(22) Filed: **Sep. 6, 2013**

(51) **LOC (10) Cl.** ..... **02-01**

(52) **U.S. Cl.**  
USPC ..... **D2/858**

(58) **Field of Classification Search**  
USPC ..... D2/858; 2/60, 123, 170, 221, 228, 237,  
2/268-270, 275; 24/102 E, 102 FC, 186,  
24/42, 41.1-47, 114.11; 233/2, 4, 52.1  
CPC ..... A41B 7/10; A41B 7/04; A41B 7/00;  
A41B 2300/32; A41B 3/005; A41B 5/00;  
A41B 1/00; A41B 1/10; A41B 7/02; A41B  
7/06; A41B 7/08; A44B 5/00; A44B 5/02;  
A41D 1/06; A41D 2300/32; A41D 27/10;  
A41D 27/00; A41D 27/16; A41F 1/00;  
A41F 1/06

See application file for complete search history.

(56) **References Cited**

U.S. PATENT DOCUMENTS

1,089,782	A *	3/1914	Parados	2/123
1,413,897	A *	4/1922	Calco	2/124
1,442,801	A *	1/1923	Griffin	2/123
1,518,803	A *	12/1924	McDonald	2/123
1,550,298	A *	8/1925	Wilson	2/123
1,552,927	A *	9/1925	Hawkins	2/269
1,670,644	A *	5/1928	Weiner	2/123
1,751,832	A *	3/1930	Menzin	2/123
1,921,467	A *	8/1933	Hymes	2/123
2,148,851	A *	2/1939	Bellone	2/123
2,155,706	A *	4/1939	Grigsby	2/123

2,269,632	A *	1/1942	Markowitz	2/270
2,301,359	A *	11/1942	Beye	2/270
2,447,106	A *	8/1948	Wegener, Jr.	2/124
2,843,849	A *	7/1958	Stevenson	2/123
D193,760	S *	10/1962	Sanders	D2/858
3,533,108	A *	10/1970	Feldser	2/124
3,843,972	A *	10/1974	Weinkle	2/123
4,896,379	A *	1/1990	Kape	2/269
5,088,128	A *	2/1992	Kape	2/269
7,070,073	B2 *	7/2006	Damrath et al.	223/72
2002/0020001	A1 *	2/2002	Kelly	2/123
2013/0318683	A1 *	12/2013	Blakely	2/124

\* cited by examiner

*Primary Examiner* — Wan Laymon

*Assistant Examiner* — Mark Booker

(74) *Attorney, Agent, or Firm* — Adler Pollock & Sheehan P.C.; Daniel J. Holmander, Esq.; George N. Chaclas, Esq.

(57) **CLAIM**

The ornamental design for an adjustable cuff, as shown and described.

**DESCRIPTION**

FIG. 1 is a rear view of the adjustable cuff accordance with the invention;

FIG. 2 is a top view of the adjustable cuff where the cuff is in a first secured position;

FIG. 3 is a top view of the adjustable cuff where the cuff is in a second secured position;

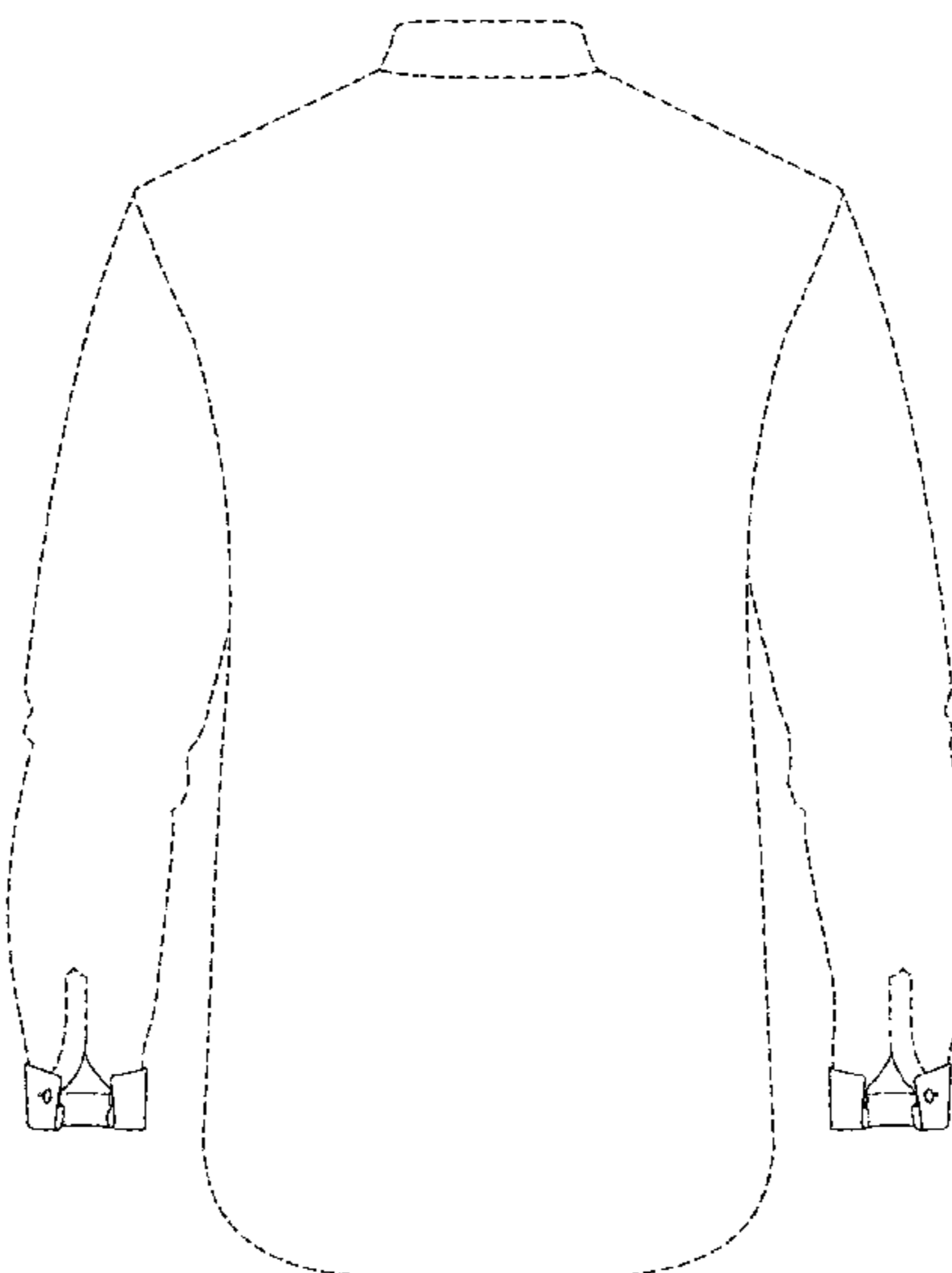
FIG. 4 is a top view of the adjustable cuff where the cuff is in a third secured position;

FIG. 5 is a side view of the adjustable cuff; and,

FIG. 6 is an enlarged view of the adjustable cuff shown in FIG. 1.

The broken line showing of the adjustable cuff is included for the purpose of illustrating portions of the article and forms no part of the claimed design.

**1 Claim, 4 Drawing Sheets**



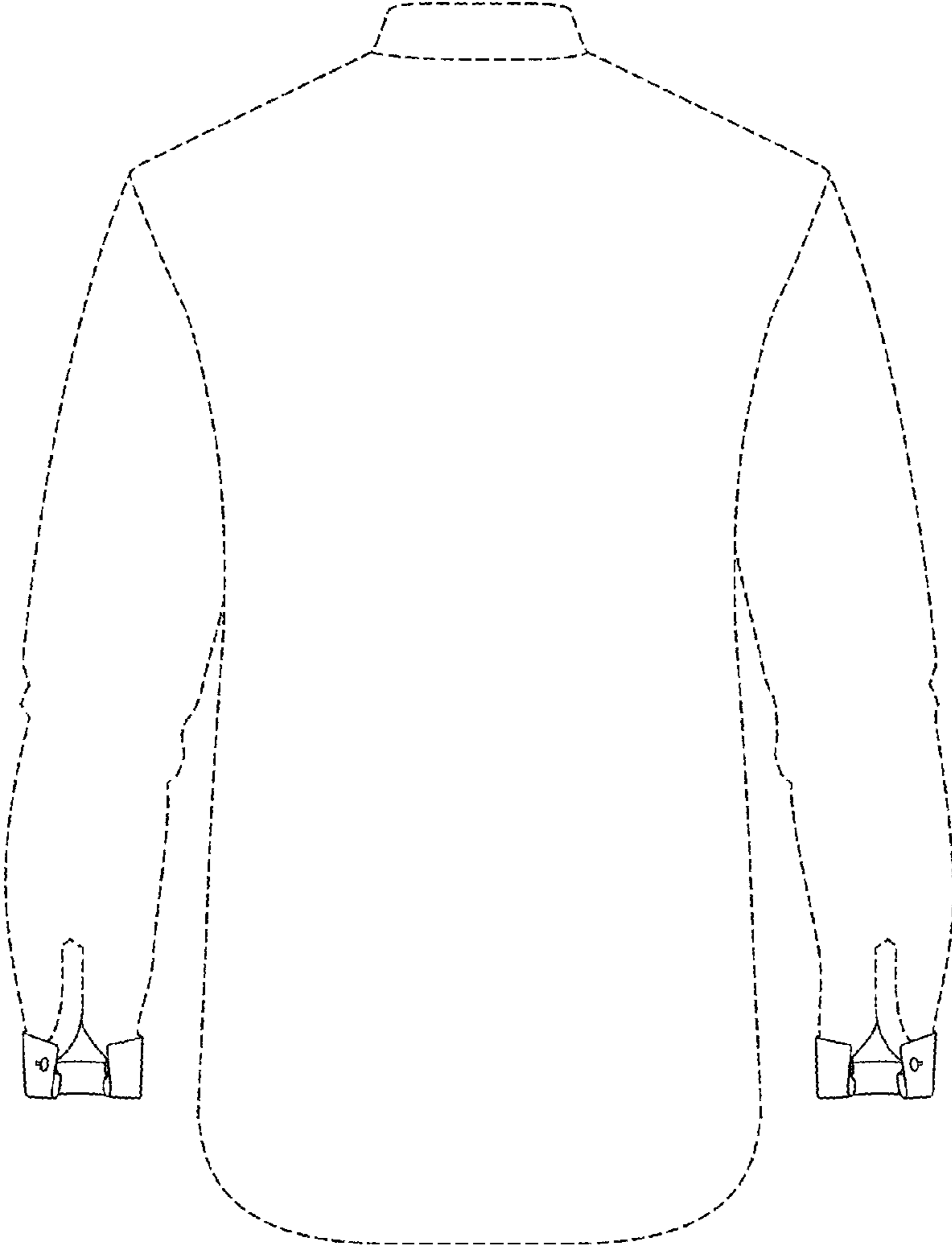


Fig. 1

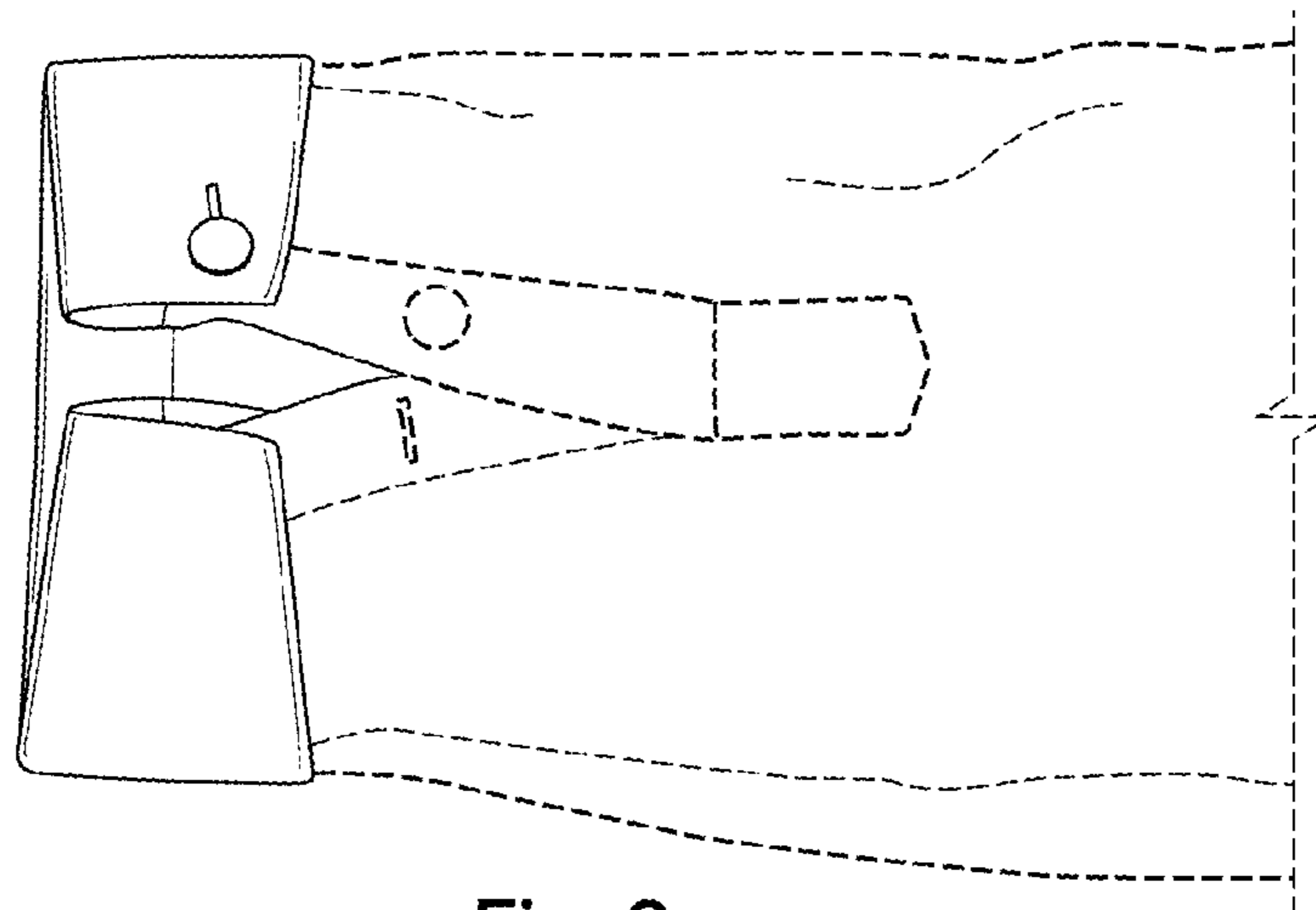


Fig. 2

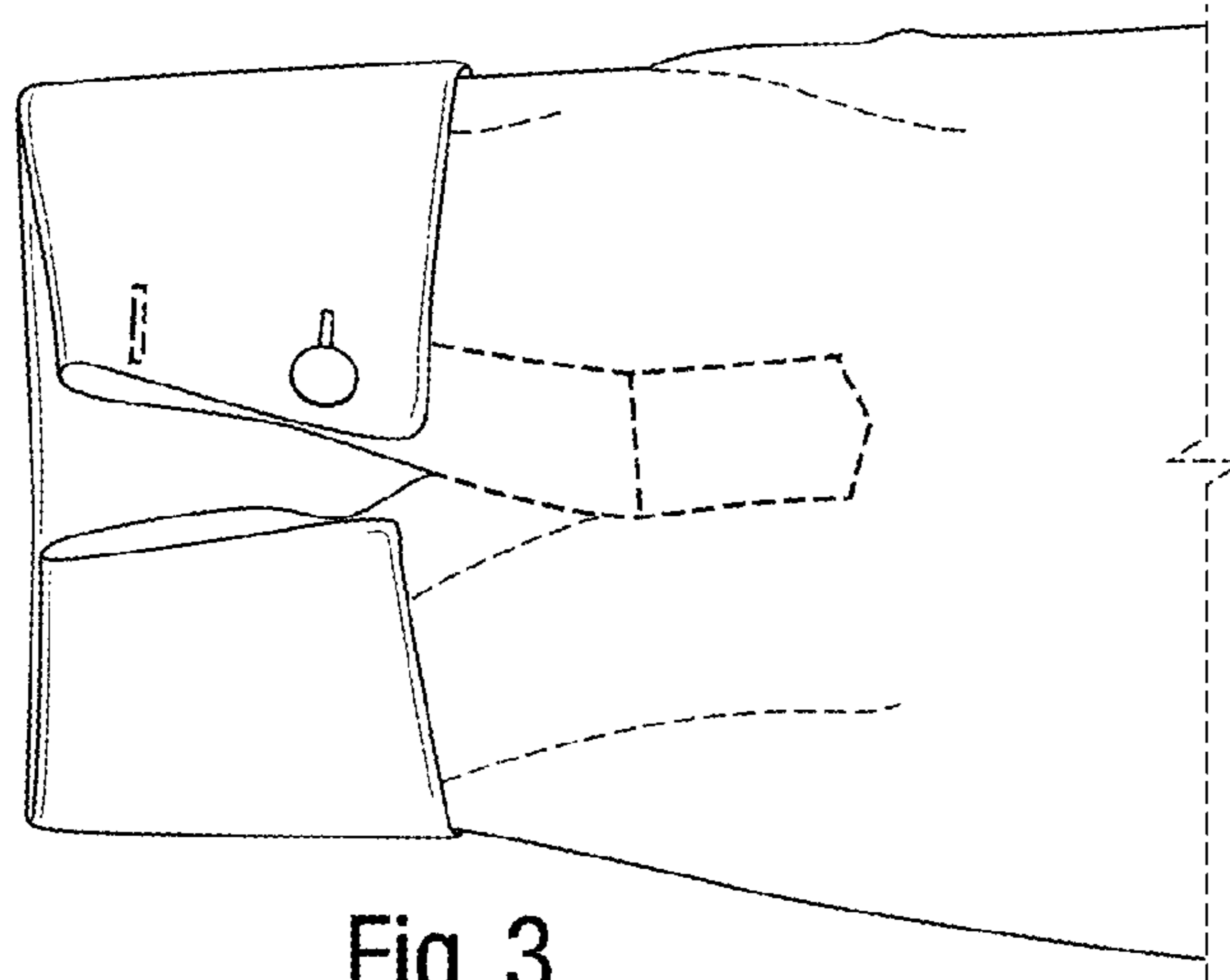


Fig. 3

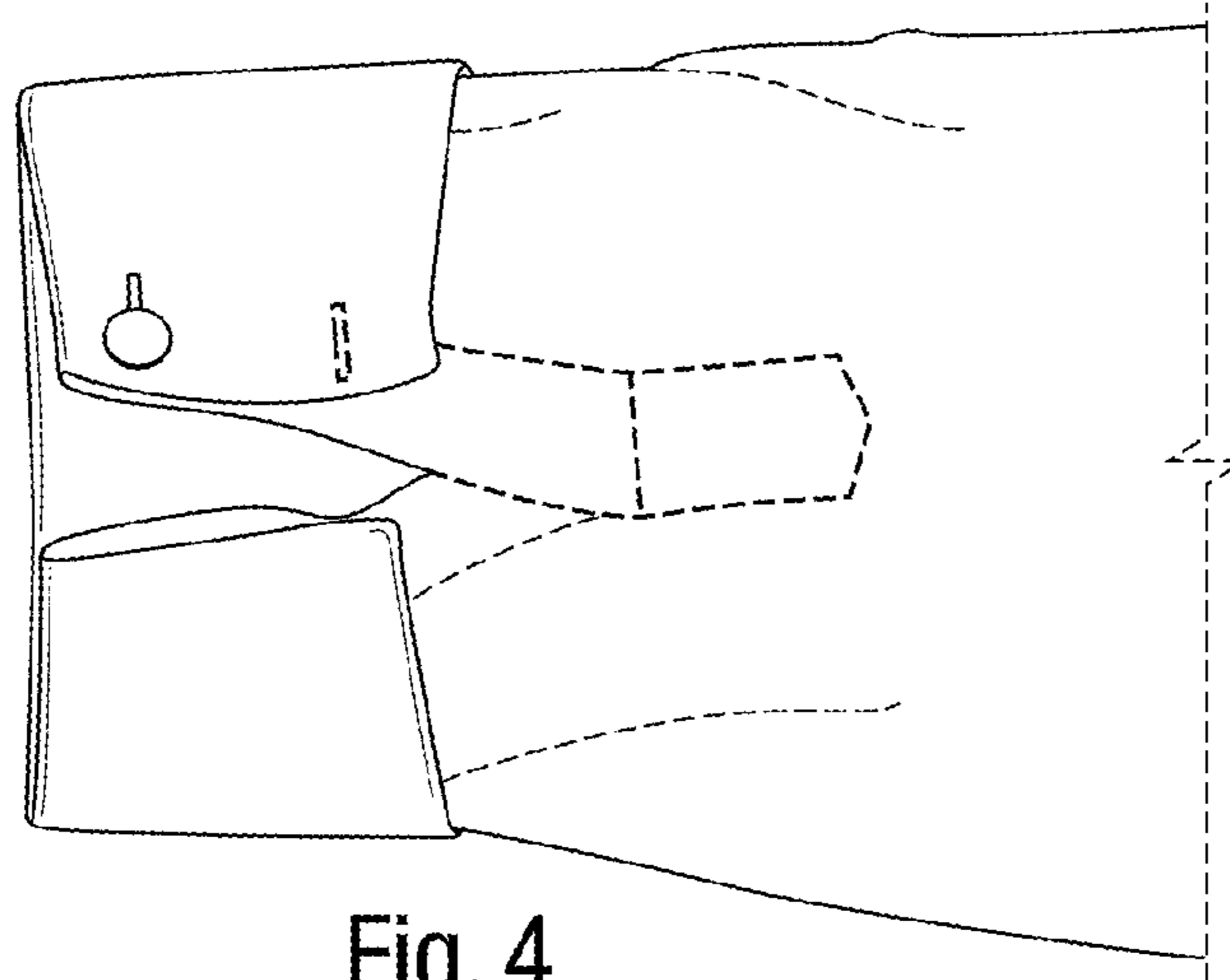


Fig. 4

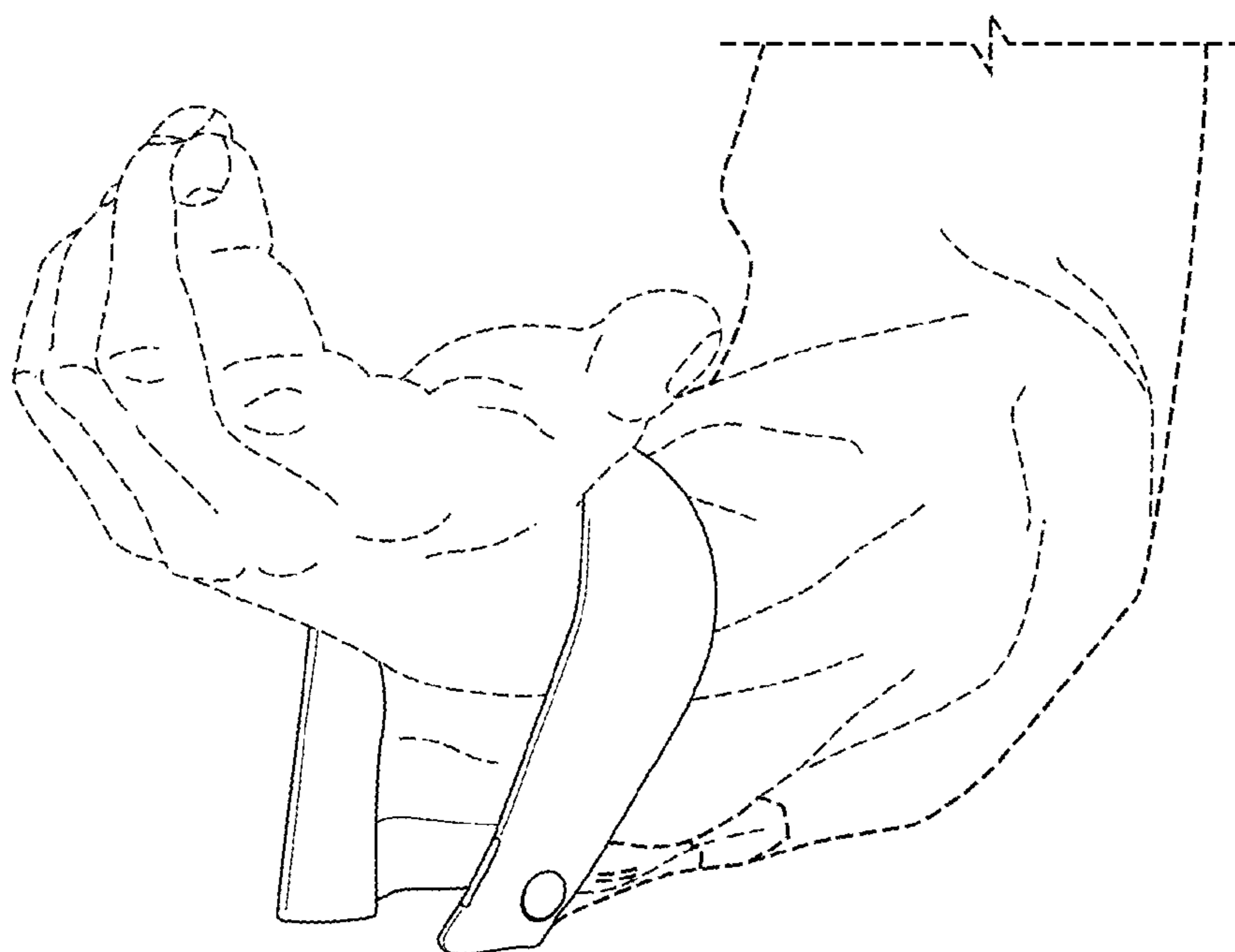


Fig. 5

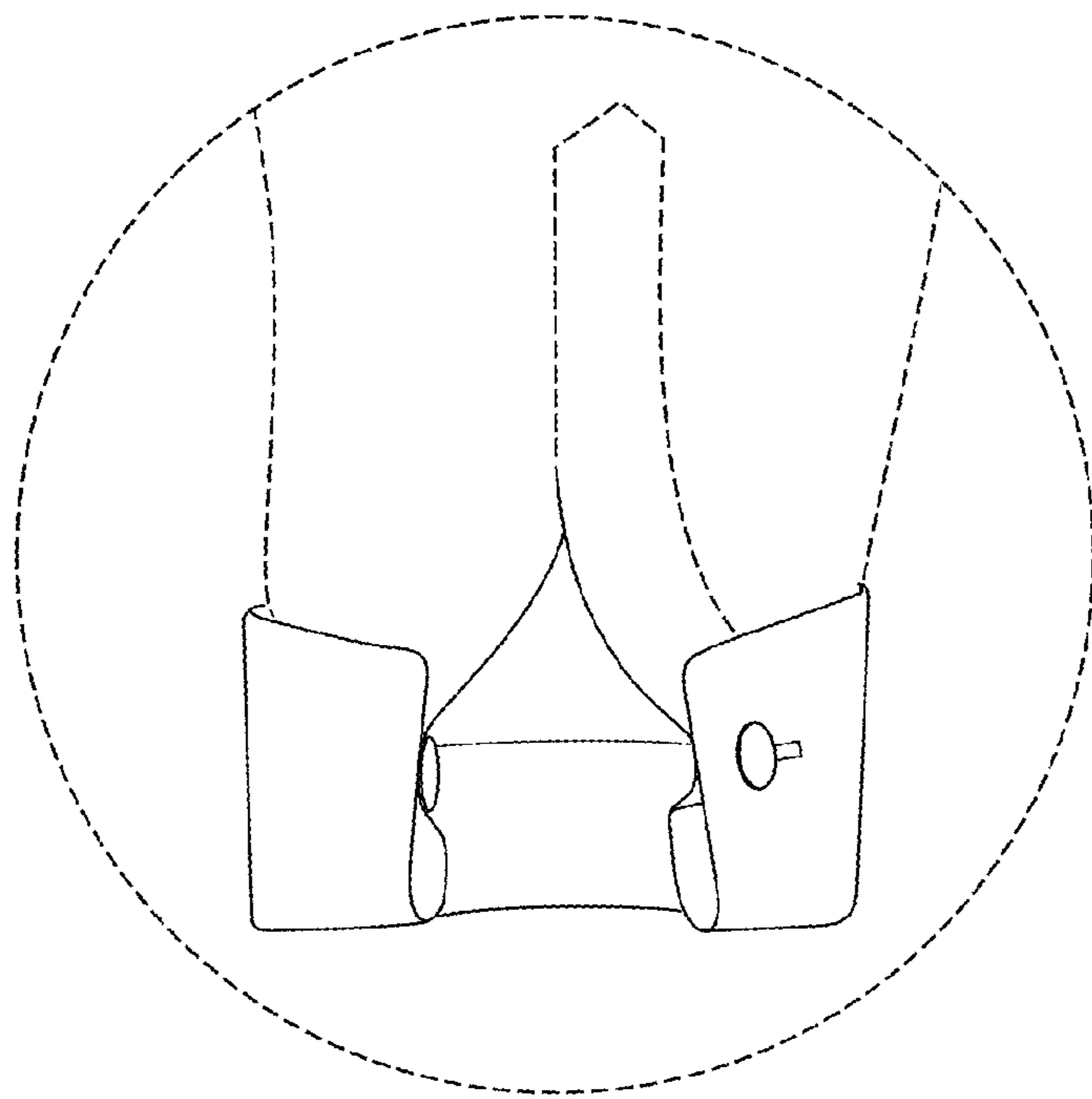


Fig. 6