



US00D756596S

(12) **United States Design Patent**  
**Santana**

(10) **Patent No.:** **US D756,596 S**

(45) **Date of Patent:** **\*\* \*May 24, 2016**

(54) **SCRUB TOP**

(71) Applicant: **Gustavo Santana**, Chicago, IL (US)

(72) Inventor: **Gustavo Santana**, Chicago, IL (US)

(\* ) Notice: This patent is subject to a terminal disclaimer.

(\*\* ) Term: **14 Years**

(21) Appl. No.: **29/481,503**

(22) Filed: **Feb. 6, 2014**

(51) **LOC (10) Cl.** ..... **02-02**

(52) **U.S. Cl.**  
USPC ..... **D2/717**

(58) **Field of Classification Search**  
USPC ..... D2/717, 720, 749-751, 756, 840-842,  
D2/847-850; 2/105, 106, 113, 115, 116  
See application file for complete search history.

(56) **References Cited**

U.S. PATENT DOCUMENTS

1,828,310	A *	10/1931	Bergh	.....	2/67
2,310,103	A *	2/1943	McDonald	.....	2/113
2,922,164	A *	1/1960	Liff	.....	2/49.2
D260,445	S *	9/1981	Schreiber et al.	.....	D2/700
4,296,498	A *	10/1981	Vinson	.....	2/115

6,766,529	B1 *	7/2004	Nathan	.....	2/2.5
D510,794	S *	10/2005	Rice	.....	D2/840
D698,127	S *	1/2014	Ceatham	.....	D2/847
2011/0219513	A1 *	9/2011	Hendrickson	.....	2/113

\* cited by examiner

*Primary Examiner* — Rashida Johnson

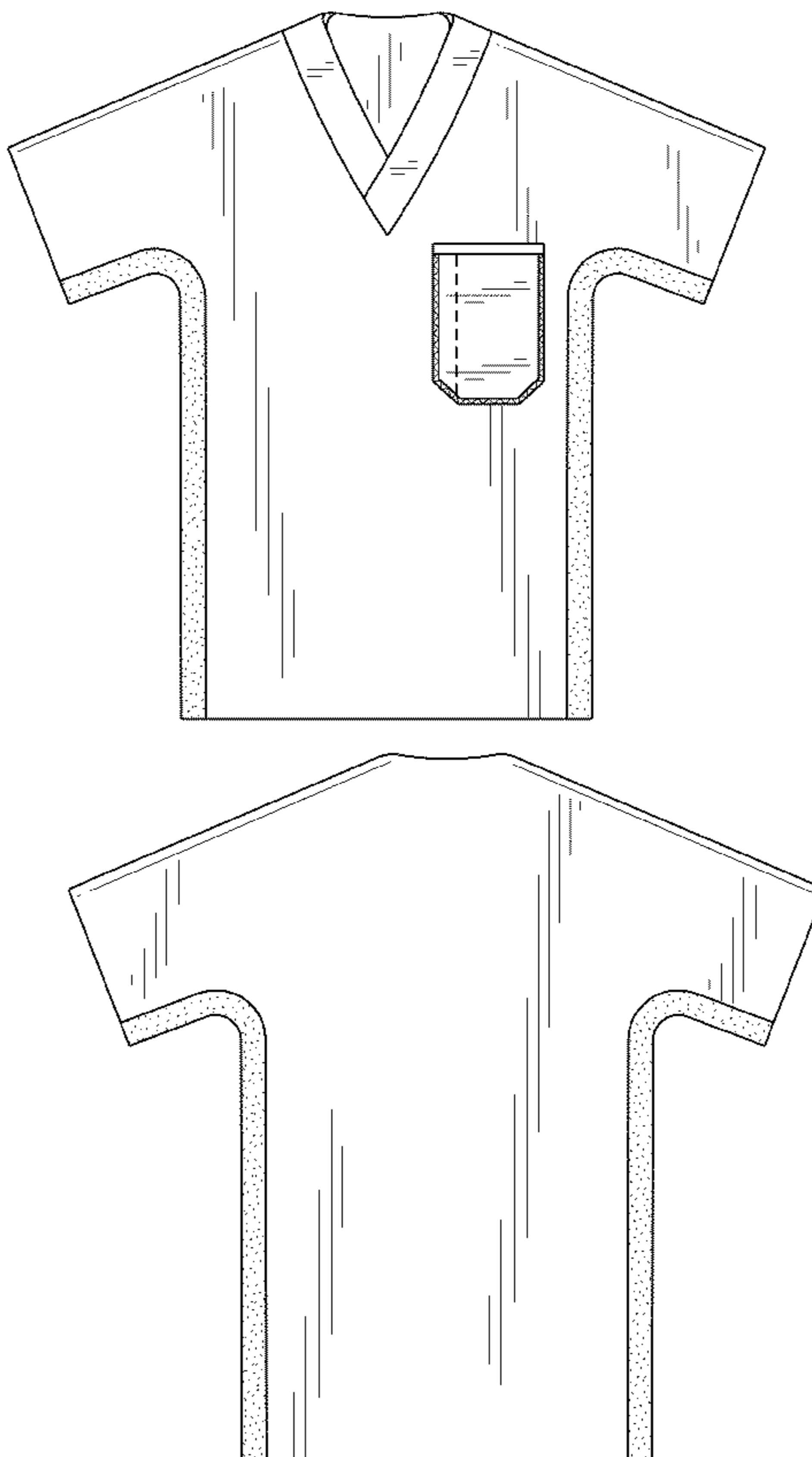
(57) **CLAIM**

The ornamental design for a scrub top, as shown and described.

**DESCRIPTION**

FIG. 1 is a perspective front view of a scrub top, with the vertical dashed line within the pocket indicating stitching; FIG. 2 is a front elevation view of the scrub top, with the vertical dashed line within the pocket indicating stitching; FIG. 3 is a rear elevation view of the scrub top; FIG. 4 is a left side elevation view of the scrub top; the undisclosed right side elevation view being a mirror image thereof; FIG. 5 is a top plan view of the scrub top; and, FIG. 6 is a bottom plan view of the scrub top. The stipple-shaded area on the side portions of the scrub top is meant to represent a change in color, material or texture and does not depict any particular color, material or texture. The zig-zag along a portion of the pocket perimeter represents stitching and is part of the claimed design.

**1 Claim, 3 Drawing Sheets**



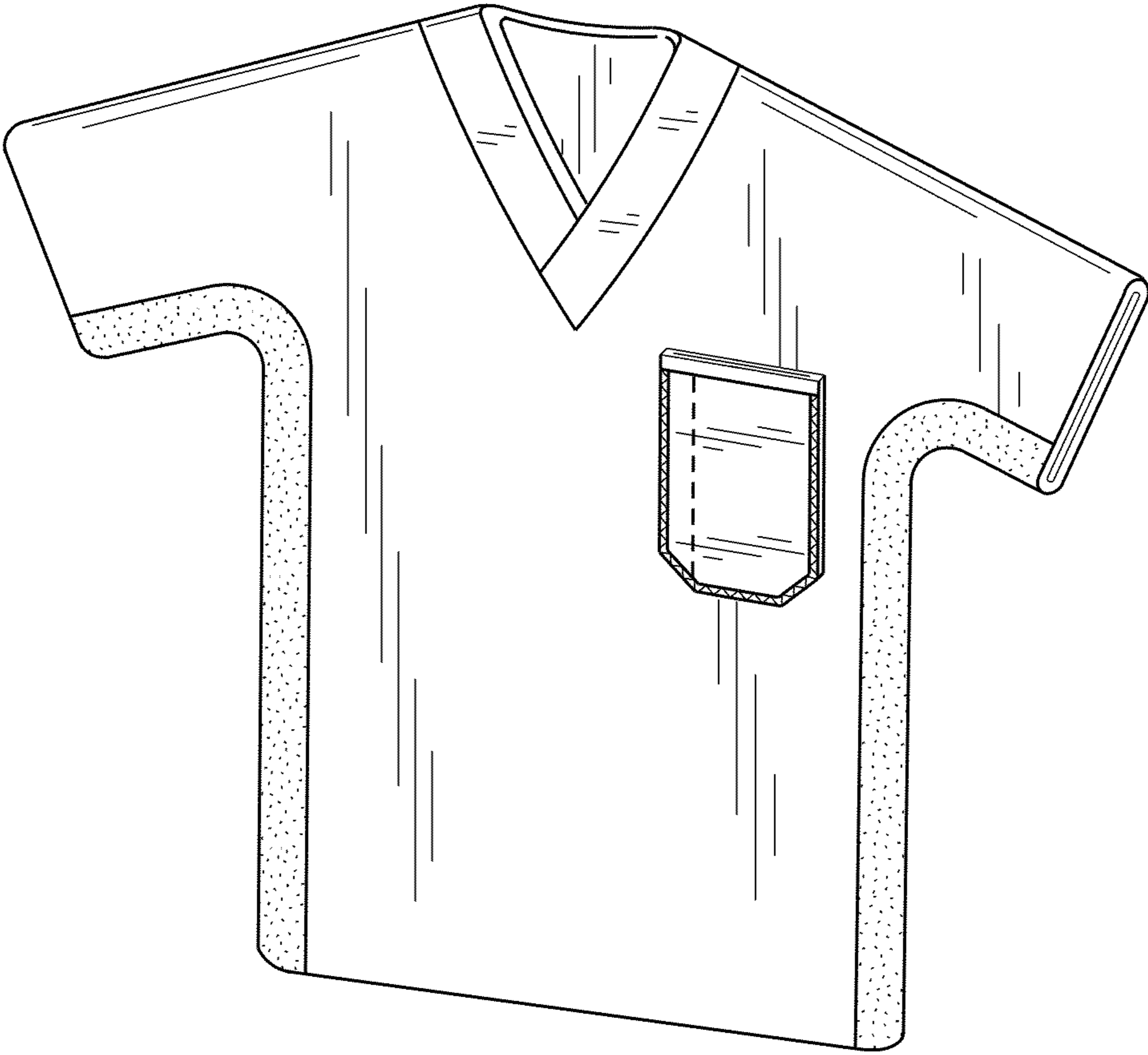


FIG. 1

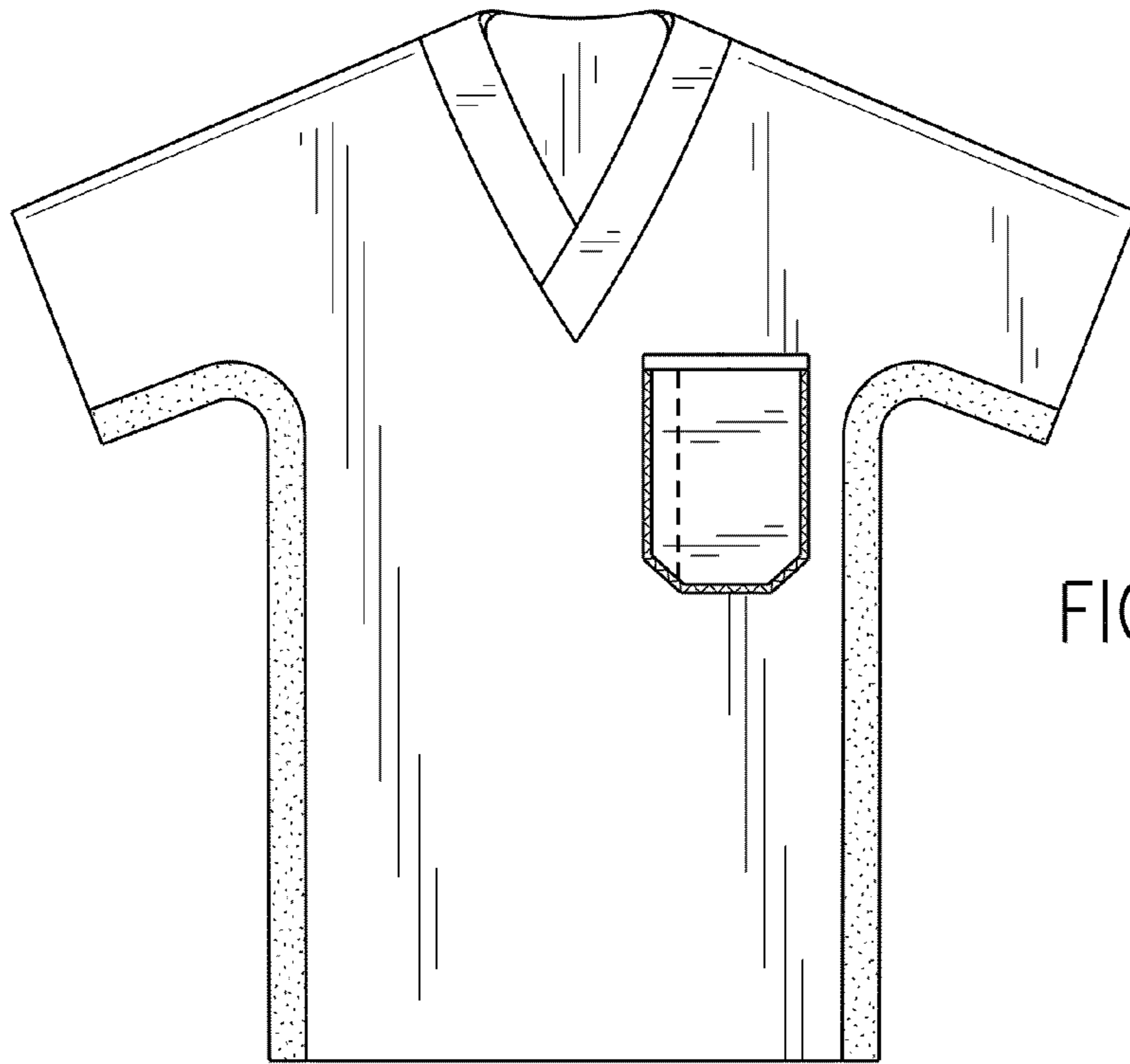


FIG. 2

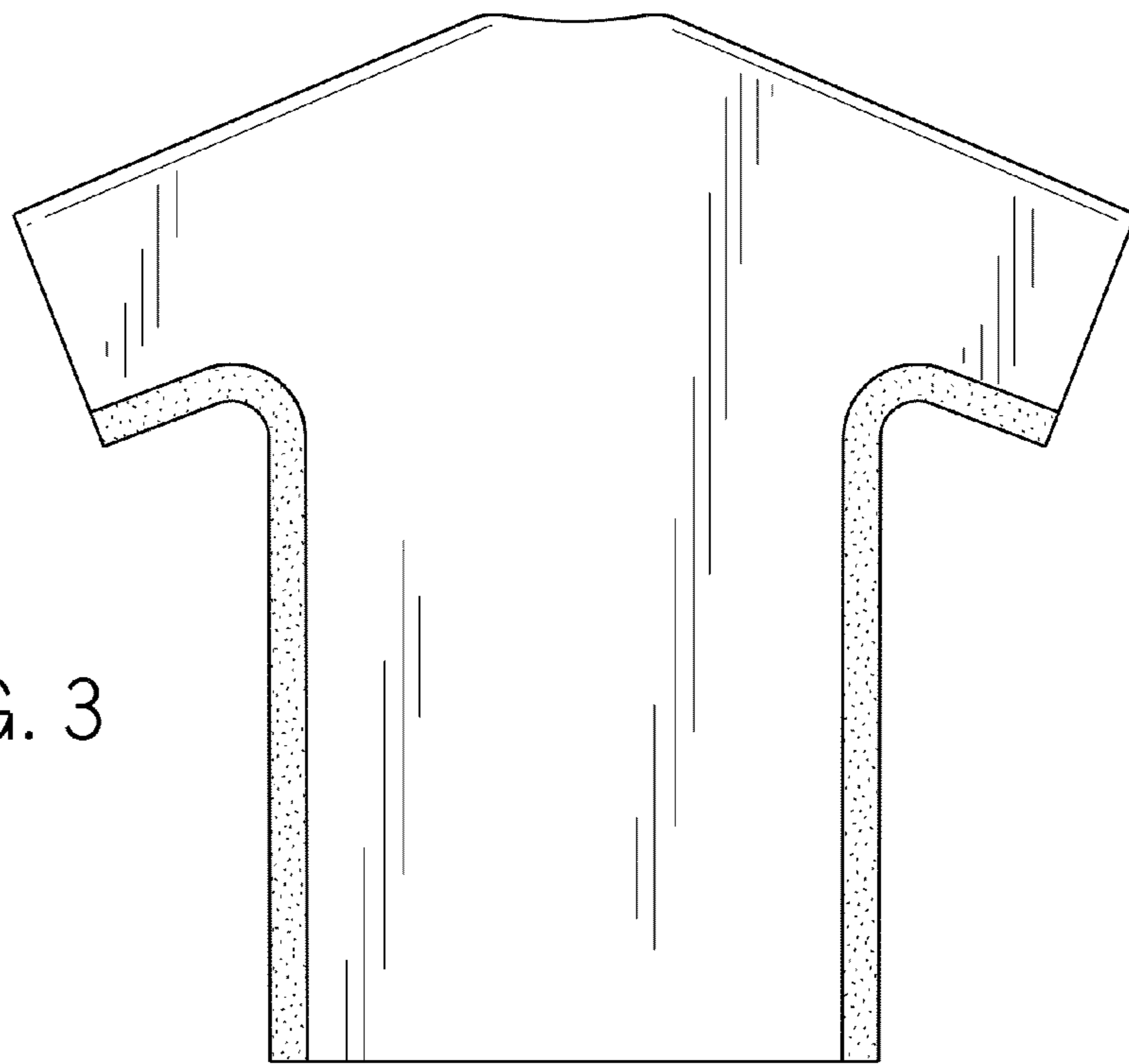


FIG. 3

FIG. 4

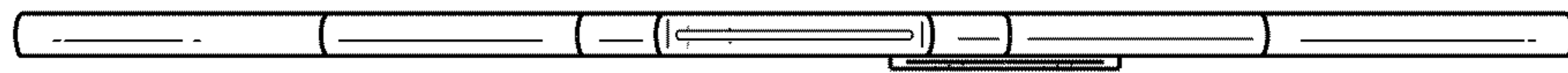


FIG. 5

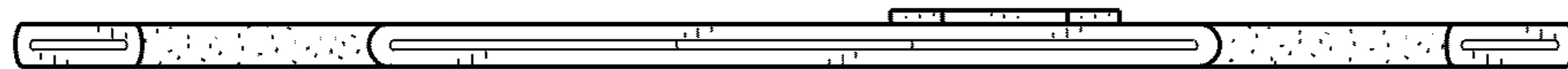


FIG. 6