



US00D756593S

(12) **United States Design Patent**  
**Smith**

(10) **Patent No.:** **US D756,593 S**

(45) **Date of Patent:** **\*\* May 24, 2016**

(54) **WEDGE SHAPED HOT DOG**

(71) Applicant: **Ronald D Smith**, Round Rock, TX (US)

(72) Inventor: **Ronald D Smith**, Round Rock, TX (US)

(\*\*) Term: **14 Years**

(21) Appl. No.: **29/460,308**

(22) Filed: **Jul. 9, 2013**

(51) **LOC (10) Cl.** ..... **01-01**

(52) **U.S. Cl.**  
USPC ..... **D1/199**

(58) **Field of Classification Search**  
USPC ..... D1/100-130, 199; 426/5, 76, 87, 92,  
426/94, 95, 99, 101, 103, 104, 108, 134,  
426/138-139, 143, 144, 279, 282, 283, 391,  
426/514, 549, 559, 560, 660, 808; D9/439;  
521/50; 251/364; 220/574; D8/83;  
D21/487

See application file for complete search history.

(56) **References Cited**

**U.S. PATENT DOCUMENTS**

D47,868	S	*	9/1915	Thoeming	.....	D25/121
2,003,600	A	*	6/1935	Lowenfels	.....	426/130
2,838,057	A	*	6/1958	Smith	.....	132/76.4
4,253,601	A	*	3/1981	Kossoff	.....	229/115
4,458,936	A	*	7/1984	Mulholland	.....	296/180.4
4,744,130	A		5/1988	Epstein		
5,069,914	A		12/1991	Gagliardi, Jr.		
5,468,179	A		11/1995	Stanley		
D399,400	S	*	10/1998	Weber	.....	D8/70
5,899,210	A	*	5/1999	Letherby et al.	.....	132/76.4
5,976,585	A		11/1999	Gagliardi, Jr.		
6,187,361	B1		2/2001	Fleetham		
6,481,030	B2	*	11/2002	Bravo et al.	.....	5/425
D490,211	S		5/2004	McHan, Jr.		
D491,520	S	*	6/2004	Hutton et al.	.....	D13/100
D509,042	S	*	9/2005	Buckley et al.	.....	D1/106
D511,407	S	*	11/2005	Suer	.....	D1/111

D515,275	S	*	2/2006	Leiweke et al.	.....	D1/125
D532,583	S	*	11/2006	Townsend et al.	.....	D1/122
7,140,288	B2		11/2006	Twerdok		
D576,721	S	*	9/2008	Nishio et al.	.....	D23/393
D585,177	S	*	1/2009	Wylie	.....	D1/125
D593,277	S	*	6/2009	Wylie	.....	D1/199
D603,241	S	*	11/2009	Pearce	.....	D8/107
7,617,753	B2		11/2009	Bouton		
7,740,528	B1		6/2010	Gagliardi, Jr.		
D656,648	S	*	3/2012	Tompkin	.....	D26/46
D658,847	S	*	5/2012	Wylie	.....	D1/199
D668,793	S	*	10/2012	Adams	.....	D25/119
D695,102	S	*	12/2013	Keberlein et al.	.....	D9/416
D698,338	S	*	1/2014	Ingham et al.	.....	D14/218

**OTHER PUBLICATIONS**

Kransekage, May 20, 2013. [online.] [retrieved on Jan. 5, 2015]. Retrieved from internet <URL: <http://mydanishkitchen.com/tag/new-years/>>.\*

Trekorv, Mar. 11, 2013. [online.] [retrieved on Jan. 5, 2015]. Retrieved from internet <URL: <http://twicsy.com/i/CcGhqd>>.\*

(Continued)

*Primary Examiner* — Deanna L Pratt

*Assistant Examiner* — Katie Mroczka

(74) *Attorney, Agent, or Firm* — Cesari & Reed LLP; Kirk A. Cesari; Christian W. Best

(57) **CLAIM**

The ornamental design for a wedge-shaped hot dog, as shown and described.

**DESCRIPTION**

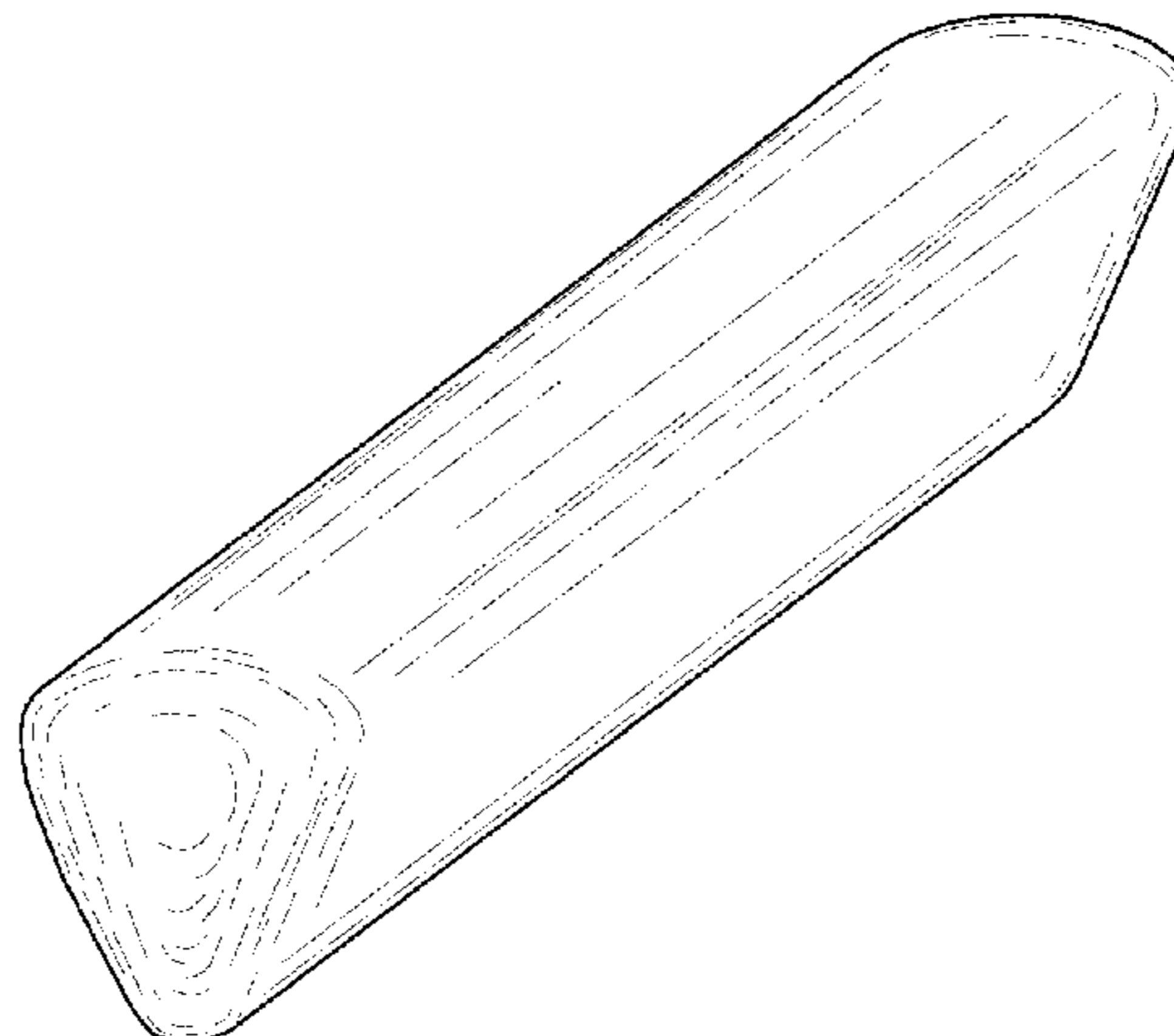
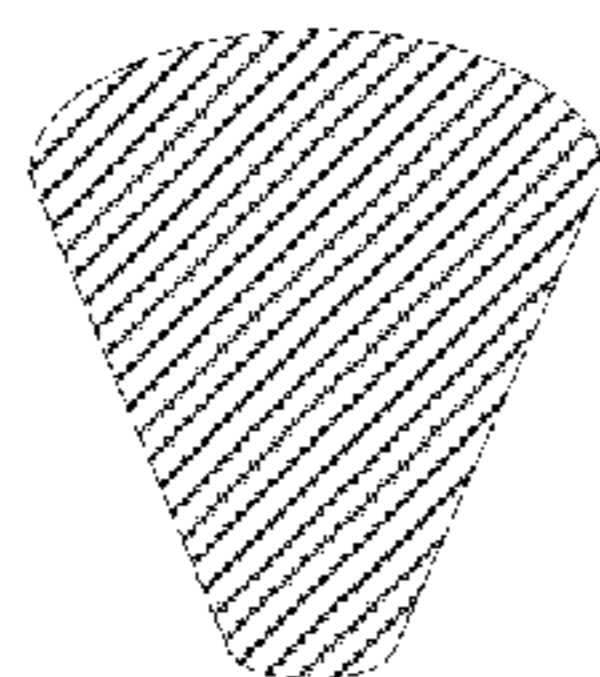
FIG. 1 illustrates a top view of a wedge-shaped hot dog according to the present disclosure;

FIG. 2 illustrates a cross-sectional view thereof taken along line 2;

FIG. 3 illustrates a side view thereof; and,

FIG. 4 illustrates a perspective view thereof.

**1 Claim, 2 Drawing Sheets**



(56)

**References Cited**

OTHER PUBLICATIONS

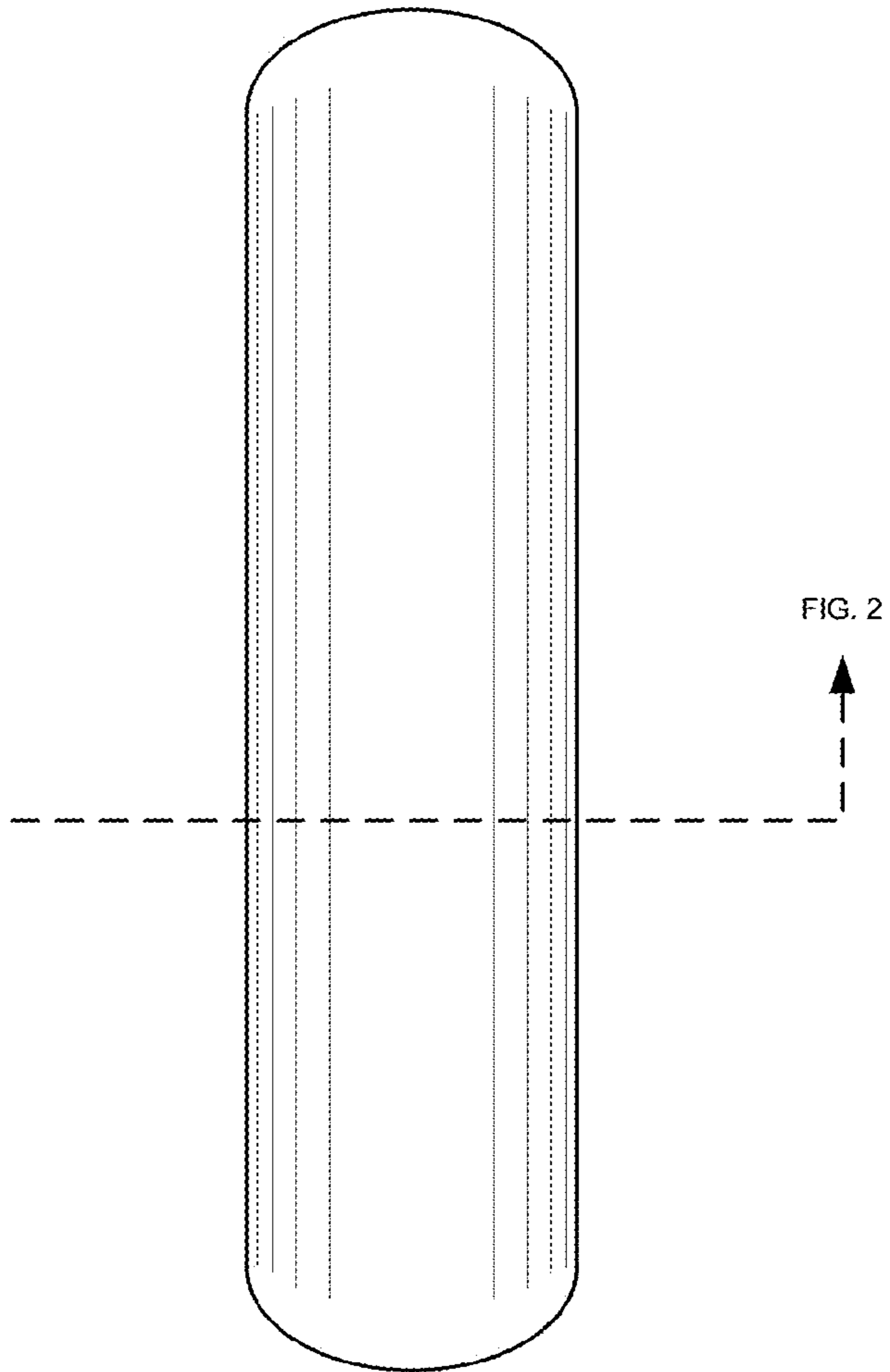
Triangular Chalk, Jan. 30, 2011. [online.] [retrieved on Jan. 5, 2015]. Retrieved from internet <URL: [http://www.jordanchalk.com/index.php/products/product\\_in\\_details\\_jumbo/21](http://www.jordanchalk.com/index.php/products/product_in_details_jumbo/21)>.\*  
Triangular Pillsbury Dough, Feb. 2013. [online.] [retrieved on Jan. 5, 2015]. Retrieved from internet <URL: <http://www.pillsbury.com/recipes/frosted-reindeer-cookies/9dae722c-5fd0-40f5-8b21-26f55f7133b4>>.\*

Martin Wande, TreKorv—The triangular hot dog, Jun. 3, 2013 <http://www.youtube.com/watch?v=GmF61UUE5LM>.

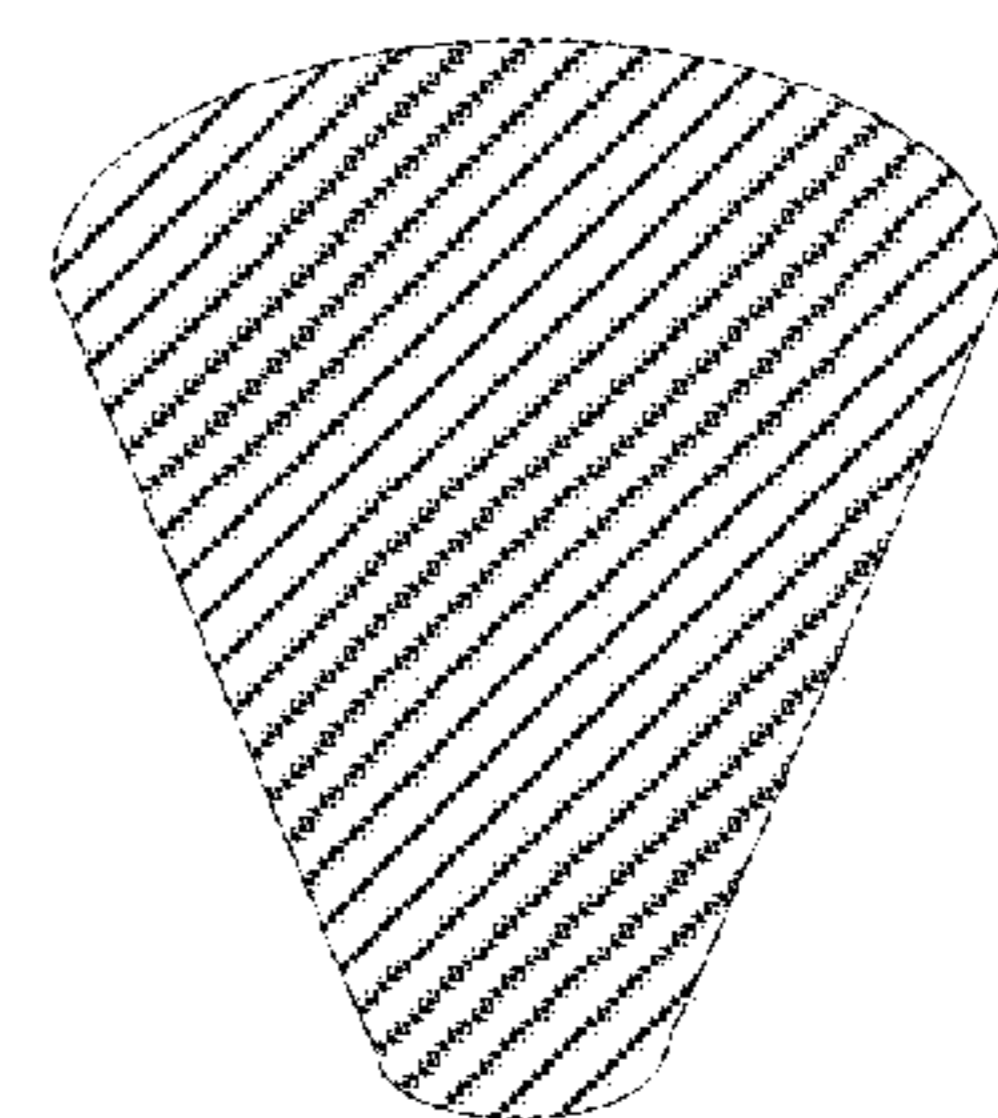
Martin Wande, TreKorv—The triangular hot dog!, Jun. 3, 2013 <http://www.rockethub.com/projects/27068-trekorv-the-triangular-hot-dog>.

Scott Jagow, Triangle-shaped hot dogs? Feb. 22, 2010 <http://www.marketplace.org/topics/business/marketplace-scratch-pad/triangle-shaped-hot-dogs>.

\* cited by examiner



**FIG. 1**



**FIG. 2**

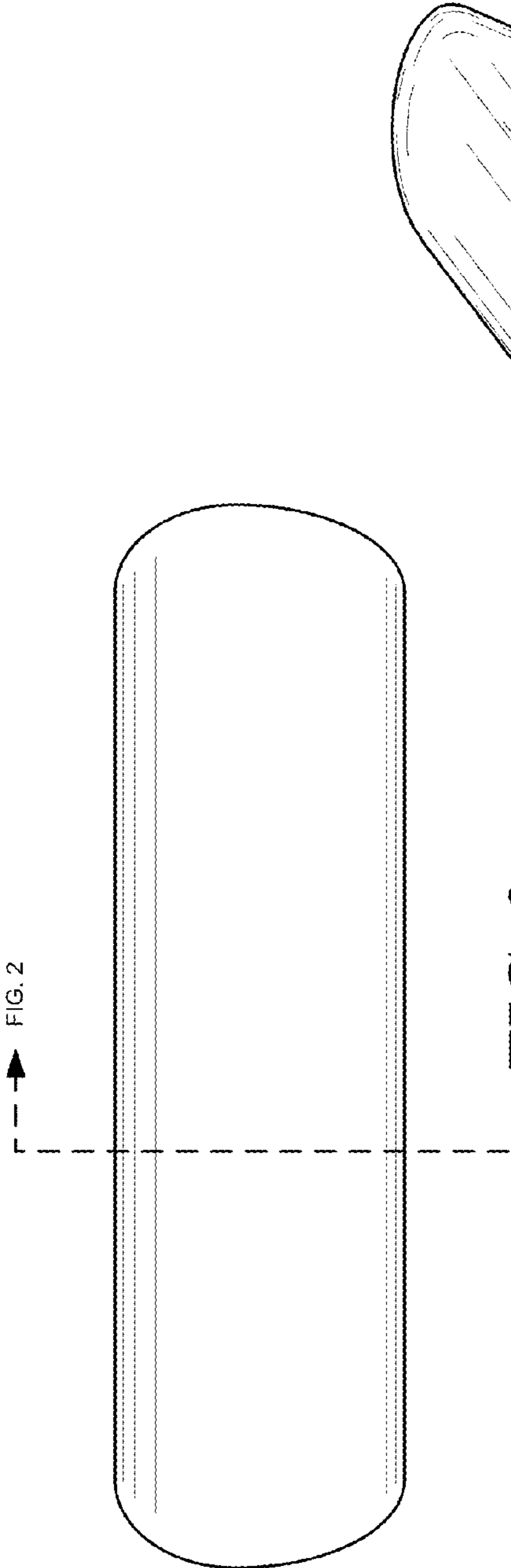


FIG. 3

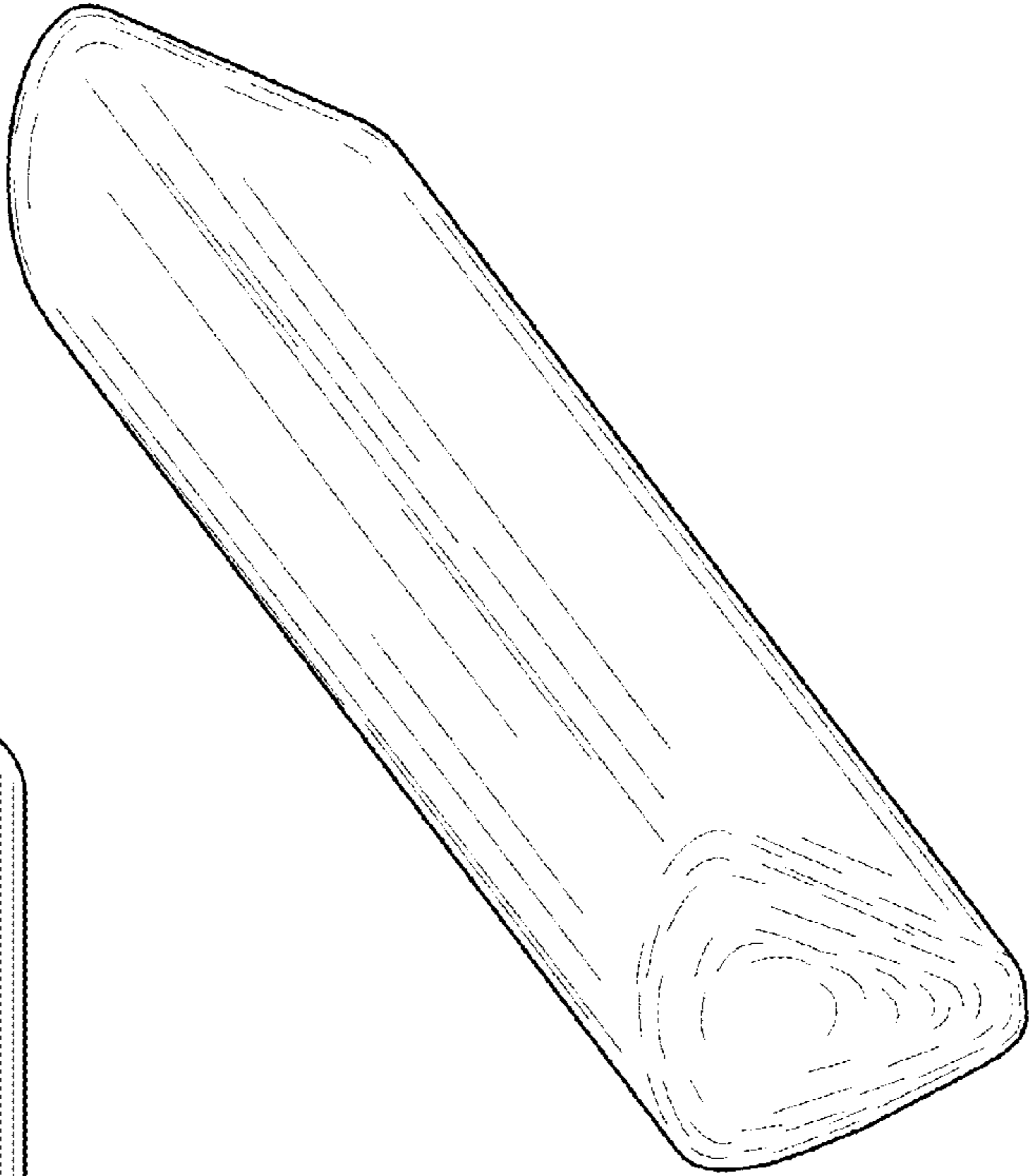


FIG. 4