



US00D756592S

(12) **United States Design Patent**
Bucks et al.

(10) **Patent No.:** **US D756,592 S**
(45) **Date of Patent:** **** May 24, 2016**

(54) **SHRED**
(71) Applicant: **FAM, Kontich (BE)**
(72) Inventors: **Brent L. Bucks**, Lakewood Ranch, FL
(US); **Rudi Van Buynder**, Berlaar (BE)
(73) Assignee: **FAM, Kontich (BE)**
(**) Term: **14 Years**

4,042,183 A 8/1977 Cumpston
4,271,882 A * 6/1981 Valo 144/241
4,523,503 A 6/1985 Julian et al.
4,604,925 A 8/1986 Wisdom
4,610,397 A 9/1986 Fischer et al.
D299,869 S * 2/1989 Green D25/123
4,977,937 A * 12/1990 Hessenthaler 144/241
D370,611 S * 6/1996 Frick et al. D8/98
D444,486 S * 7/2001 Biller D15/139
D497,236 S * 10/2004 Haro D1/106
D511,876 S * 11/2005 Haro D1/106

(Continued)

(21) Appl. No.: **29/490,328**

OTHER PUBLICATIONS

(22) Filed: **May 8, 2014**

Brunner-Anliker product info on the IR 250 Industrial Food Processor, available at brunner-anliker.com, 6 pages, © Jul. 23, 2002.

(30) **Foreign Application Priority Data**

(Continued)

Nov. 8, 2013 (EM) 001389175-0001

(51) **LOC (10) Cl.** **01-01**

Primary Examiner — Garth Rademaker

(52) **U.S. Cl.**

Assistant Examiner — Katie Mroczka

USPC **D1/125**

(74) *Attorney, Agent, or Firm* — Koppel, Patrick, Heybl & Philpott

(58) **Field of Classification Search**

USPC D1/100-130, 199; 426/2, 89, 92, 104,
426/635, 805; D30/160; D24/102, 103;
D25/119-135; 119/706-711; D34/28,
D34/29

See application file for complete search history.

(57) **CLAIM**

The ornamental design for a shred, as shown and described.

(56) **References Cited**

DESCRIPTION

U.S. PATENT DOCUMENTS

414,090 A * 10/1889 Taylor 72/468
D35,006 S * 8/1901 White D23/411
1,773,969 A * 8/1930 Whitehead et al. 264/177.13
D116,547 S * 9/1939 Arms D28/8.1
2,195,879 A 4/1940 Urschel et al.
2,875,800 A 3/1959 Urschel
3,196,916 A 7/1965 Urschel
3,823,880 A 7/1974 Urschel
3,888,426 A 6/1975 Urschel et al.
3,989,196 A 11/1976 Urschel

FIG. 1 is an isometric view of a new ornamental design for a shred;

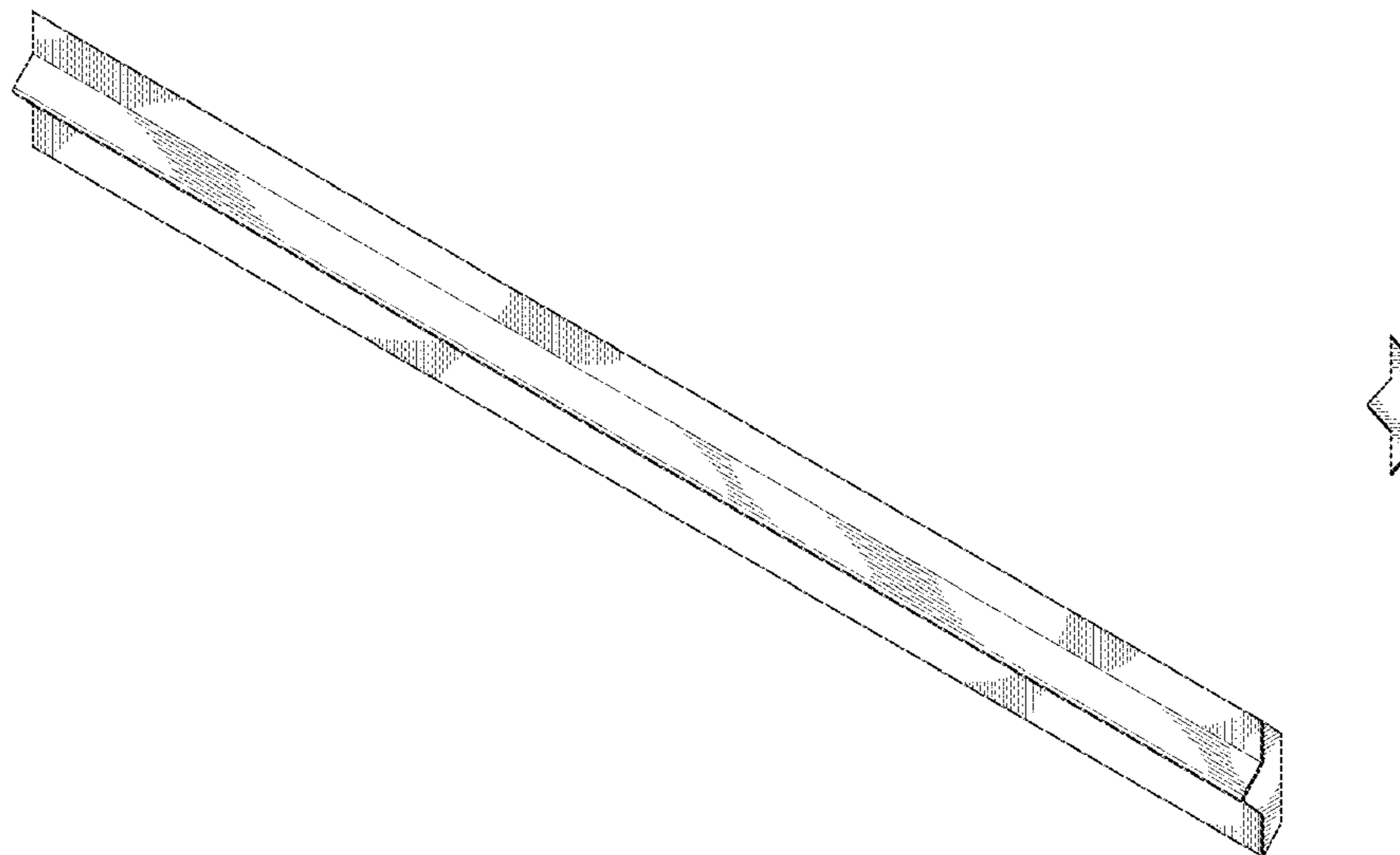
FIG. 2 is a top view of the shred of FIG. 1;

FIG. 3 is a bottom view of the shred of FIG. 1;

FIG. 4 is a right side elevational view, the left side elevational view being a mirror image thereof, of the shred of FIG. 1; and

FIG. 5 is a front elevational view of the shred of FIG. 1; and, FIG. 6 is a rear elevational view of the shred of FIG. 1.

1 Claim, 2 Drawing Sheets



(56)

References Cited

U.S. PATENT DOCUMENTS

D620,136	S	*	7/2010	Vaes et al.	D25/136
D701,366	S	*	3/2014	King et al.	D1/199
2008/0022822	A1		1/2008	Jacko et al.	
2009/0202694	A1		8/2009	Julian et al.	
2013/0276604	A1		10/2013	King et al.	
2014/0007751	A1		1/2014	Michel et al.	

OTHER PUBLICATIONS

Brunner-Anliker technical data on the IR 250 Industrial Food Processor, available at brunner-anliker.com. 1 page, © Jul. 23, 2002.

Brunner-Anliker color technical data on the IR-250 Industrial Food Processor, available at brunner-anliker.com, one page, © Jul. 23, 2002.

* cited by examiner

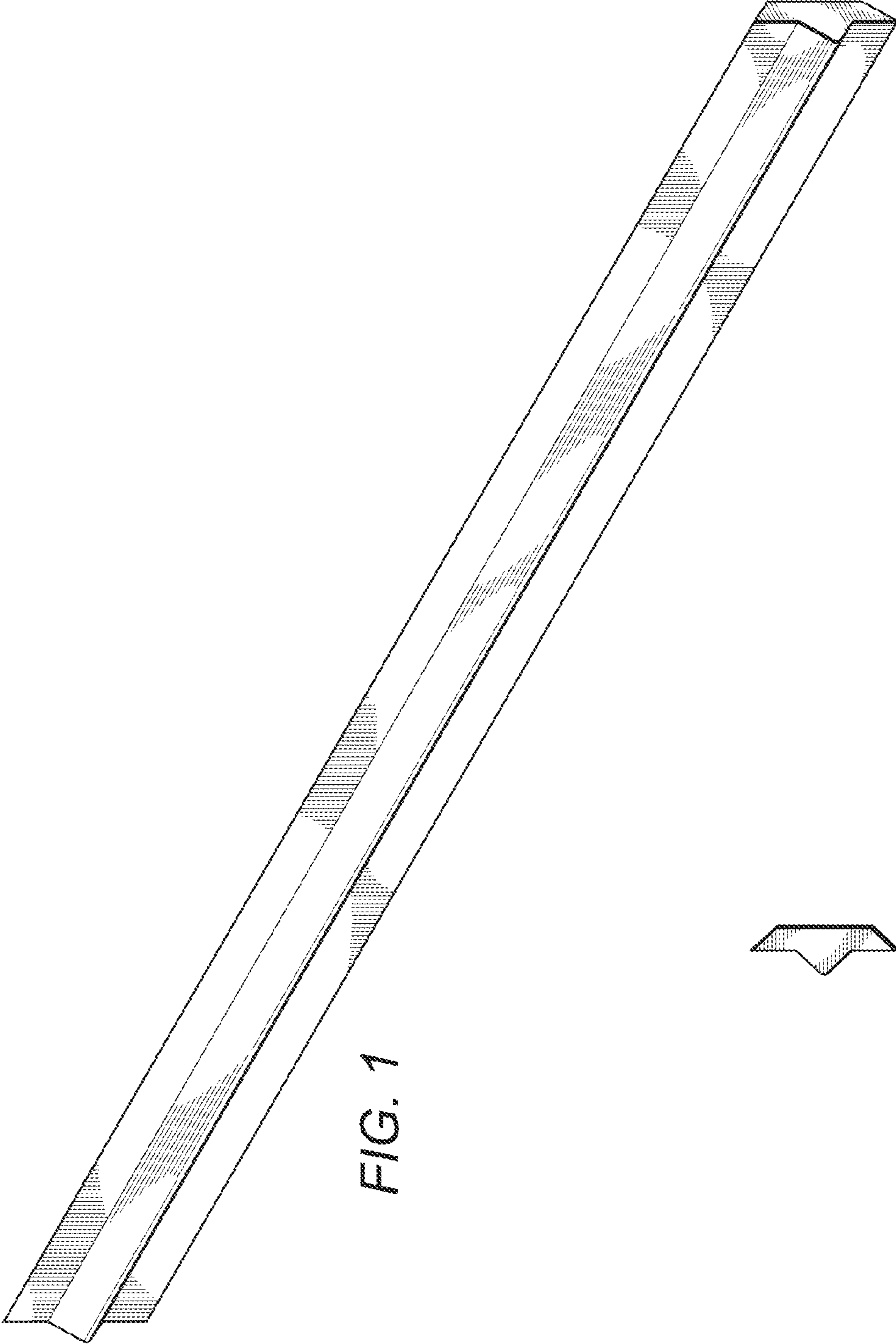


FIG. 1



FIG. 4

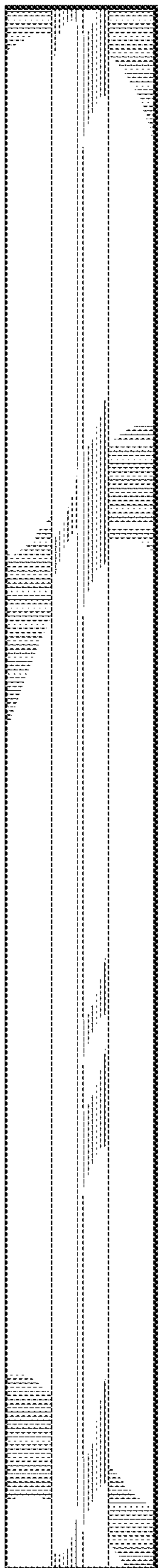


FIG. 2

FIG. 3

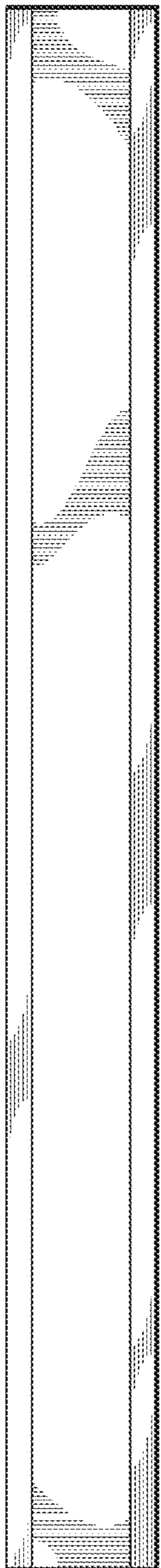


FIG. 5

FIG. 6

