



US00D756589S

(12) **United States Design Patent**
Knie

(10) **Patent No.:** **US D756,589 S**

(45) **Date of Patent:** **** May 17, 2016**

(54) **FORK LIFT TRUCK**

(56) **References Cited**

(71) Applicant: **Jungheinrich Aktiengesellschaft,**
Hamburg (DE)

(72) Inventor: **Andreas Knie,** Hamburg (DE)

(73) Assignee: **Jungheinrich Aktiengesellschaft,**
Hamburg (DE)

(**) Term: **14 Years**

(21) Appl. No.: **29/516,886**

(22) Filed: **Feb. 6, 2015**

(30) **Foreign Application Priority Data**

Aug. 6, 2014 (EM) 002515577

(51) **LOC (10) CL.** **12-05**

(52) **U.S. CL.**
USPC **D34/34**

(58) **Field of Classification Search**

USPC D34/28, 34; 187/222, 234, 226, 238;
414/631, 575, 592; 180/89.12, 89.13,
180/89.17

CPC B66F 16/003; B66F 9/24; B66F 9/08;
B66F 9/07563; B66F 9/075; B66F 9/082;
B66F 9/122; B66F 9/146; B66F 9/0755

See application file for complete search history.

U.S. PATENT DOCUMENTS

D583,124	S	*	12/2008	Stark	D34/34
D601,324	S	*	9/2009	Knie	D34/34
D608,075	S	*	1/2010	Berger	D34/34
D608,522	S	*	1/2010	Berger	D34/34
D608,523	S	*	1/2010	Knie	D34/34
D609,424	S	*	2/2010	Knie	D34/34
D640,031	S	*	6/2011	Kretschmer	D34/34
D655,064	S	*	2/2012	Knie	D34/34
D692,202	S	*	10/2013	Feiquan	D34/34
D692,203	S	*	10/2013	Feiquan	D34/34
D692,204	S	*	10/2013	Feiquan	D34/34
D730,614	S	*	5/2015	Wu	D34/34
D739,112	S	*	9/2015	He	D34/34

* cited by examiner

Primary Examiner — Cynthia Ramirez

(74) *Attorney, Agent, or Firm* — Young Basile Hanlon & MacFarlane P.C.

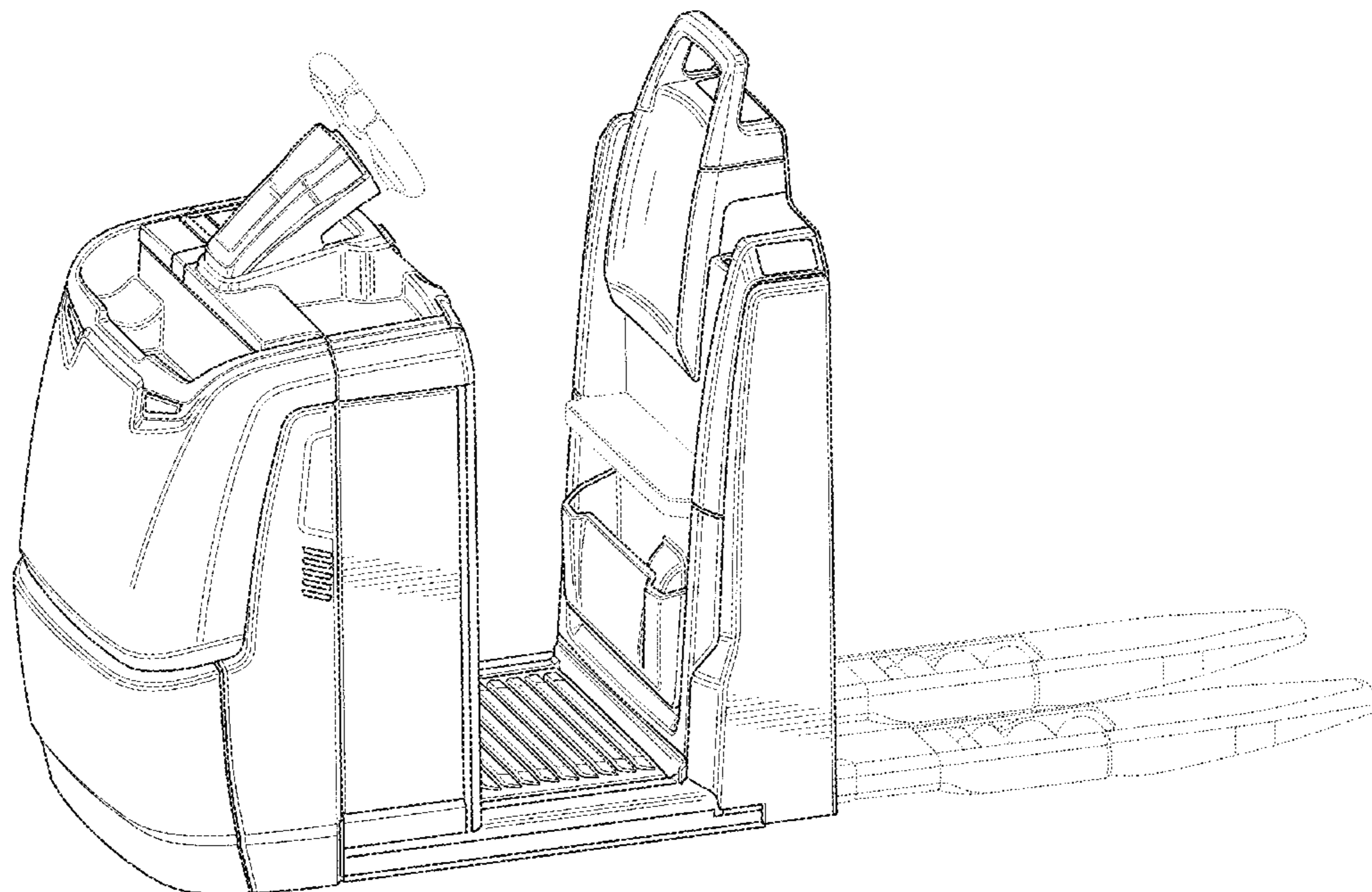
(57) **CLAIM**

The ornamental design for a fork lift truck, as shown and described.

DESCRIPTION

FIG. 1 is a perspective view of the fork lift truck, showing the left side, front and top thereof;
FIG. 2 is a front view of the fork lift truck of FIG. 1;
FIG. 3 is a rear view of the fork lift truck of FIG. 1;
FIG. 4 is a left side view of the fork lift truck of FIG. 1;
FIG. 5 is a right side view of the fork lift truck of FIG. 1;
FIG. 6 is a top view of the fork lift truck of FIG. 1; and,
FIG. 7 is a bottom view of the fork lift truck of FIG. 1.
The broken lines shown in the drawings represent portions of the fork lift truck that form no part of the claimed design.

1 Claim, 6 Drawing Sheets



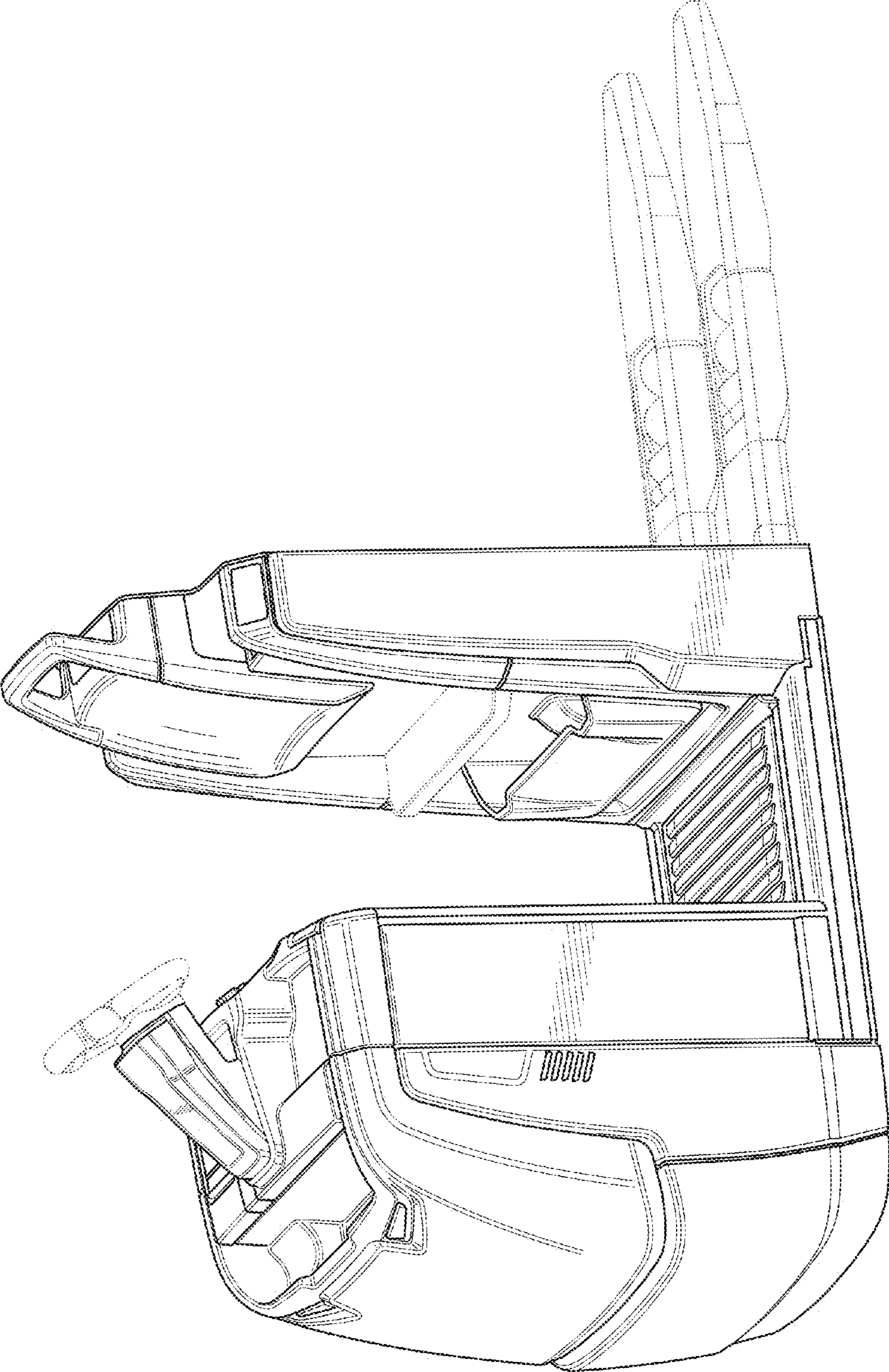


FIG. 1

FIG. 3

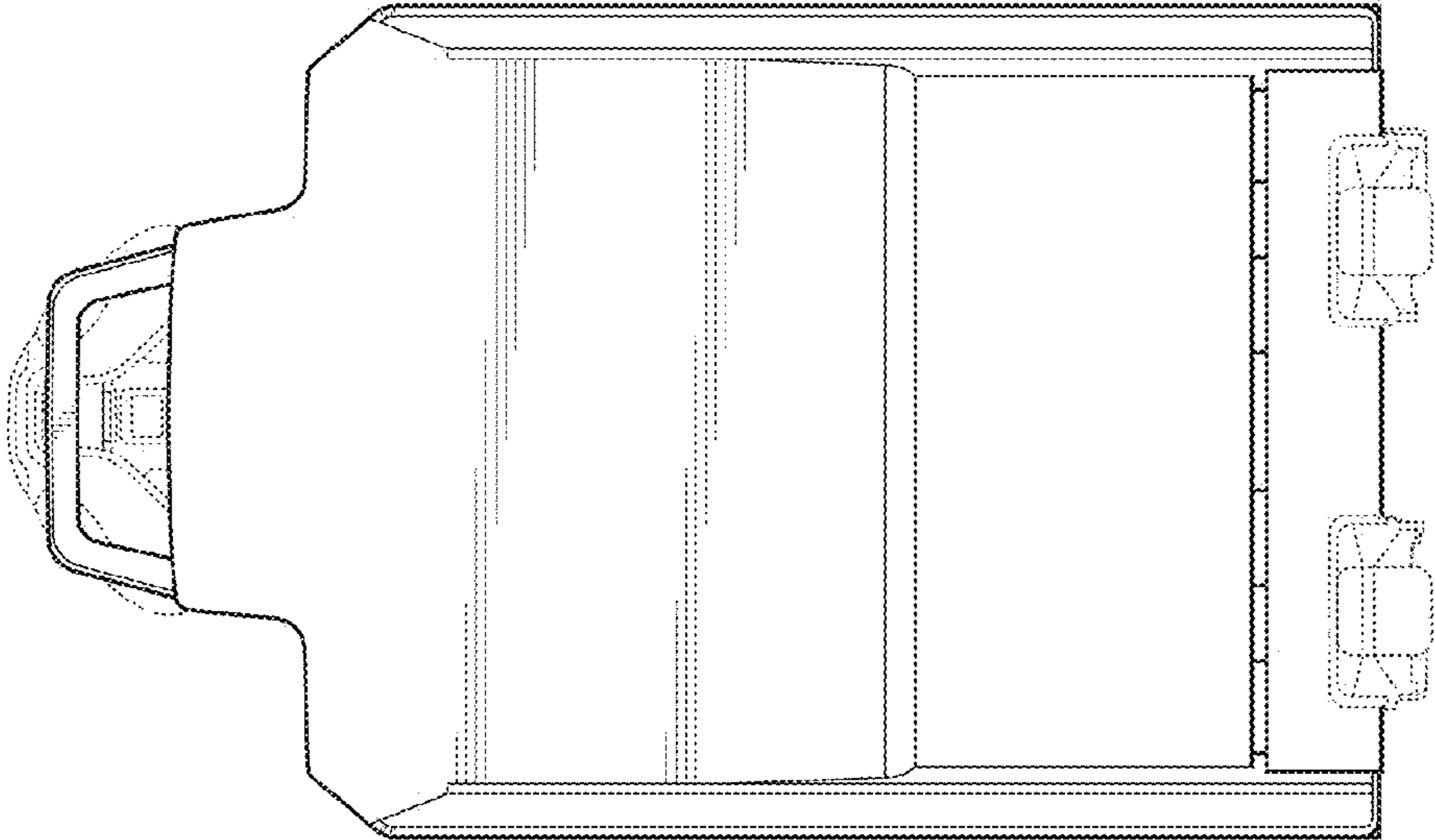
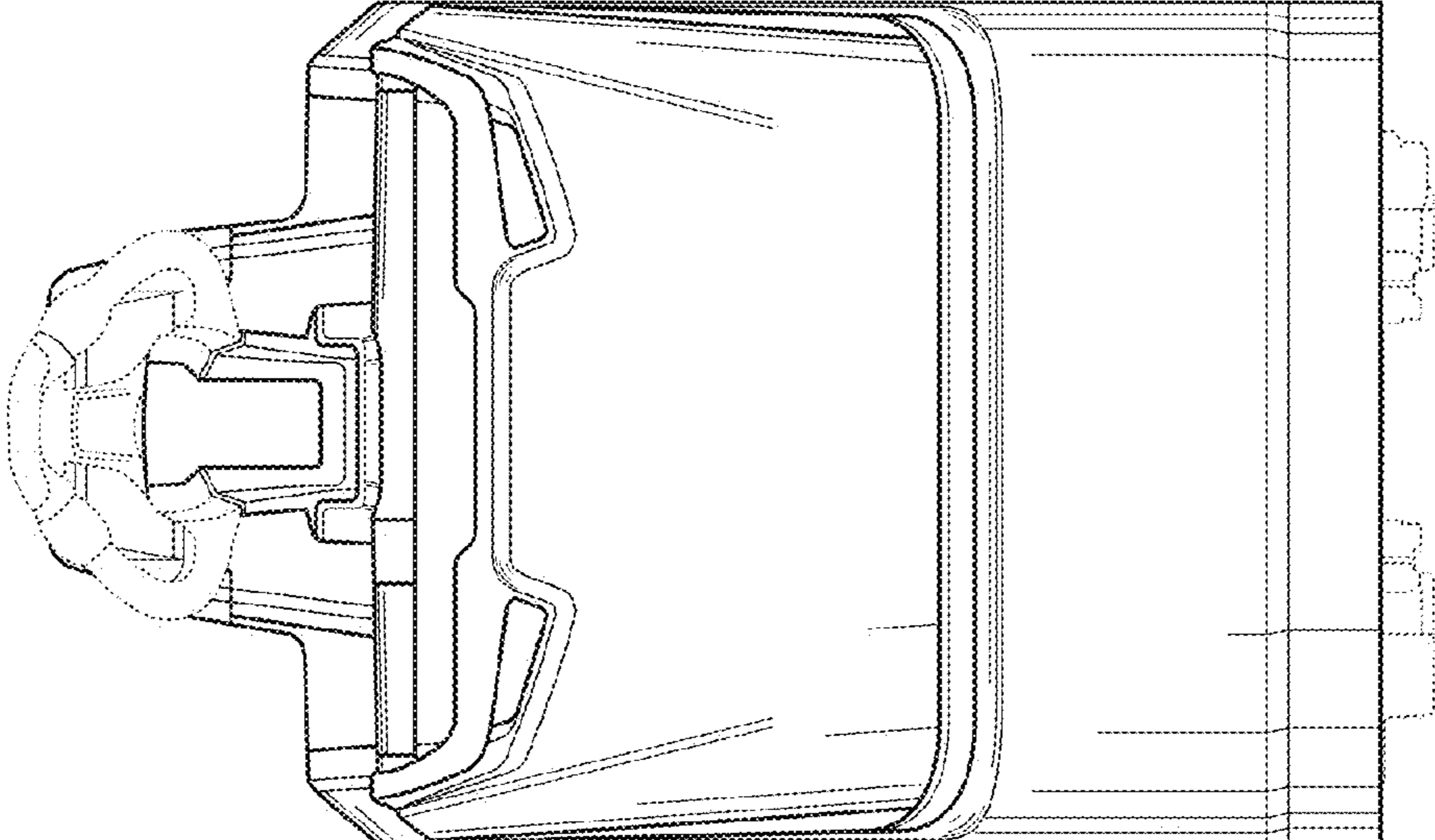


FIG. 2



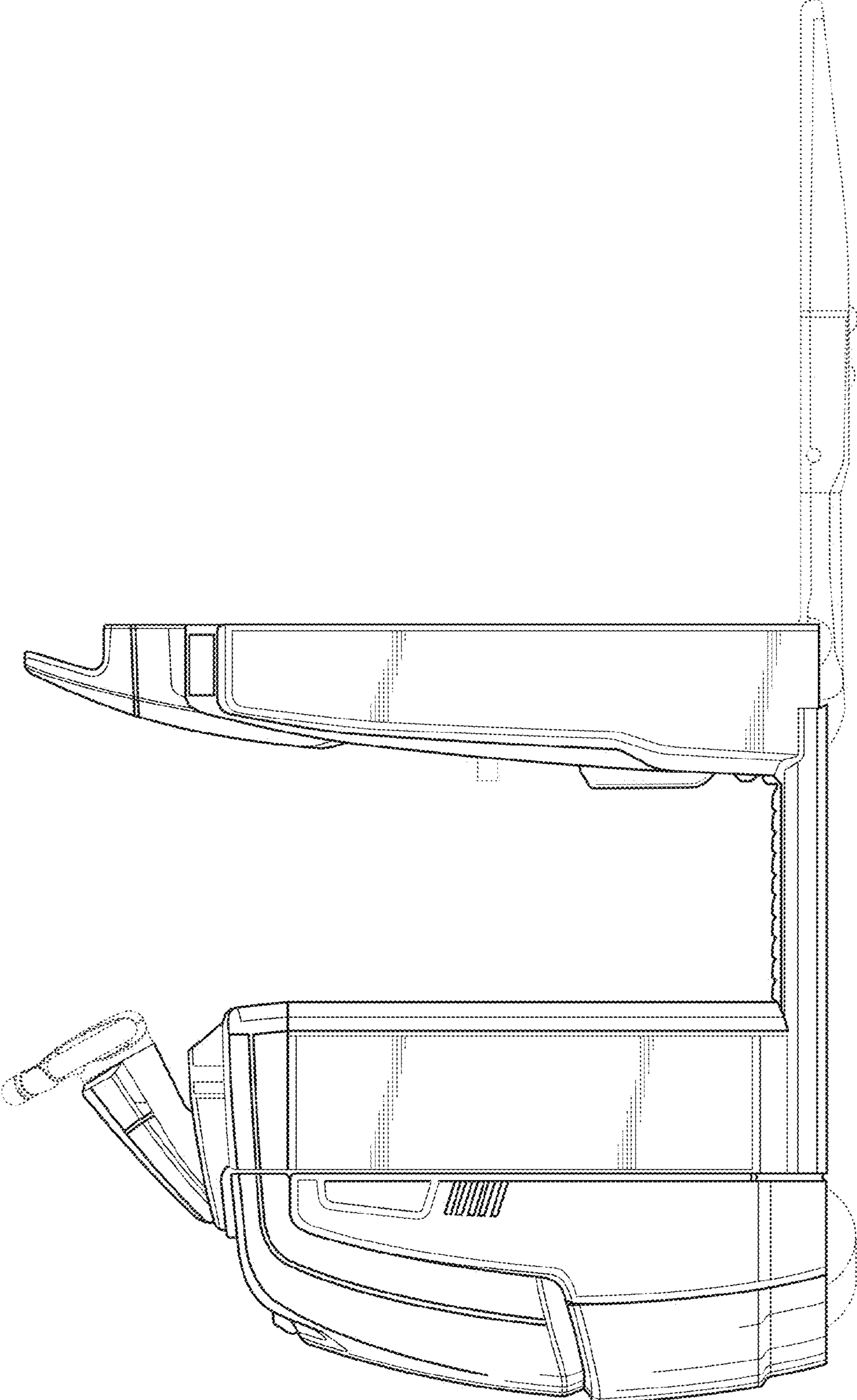


FIG. 4

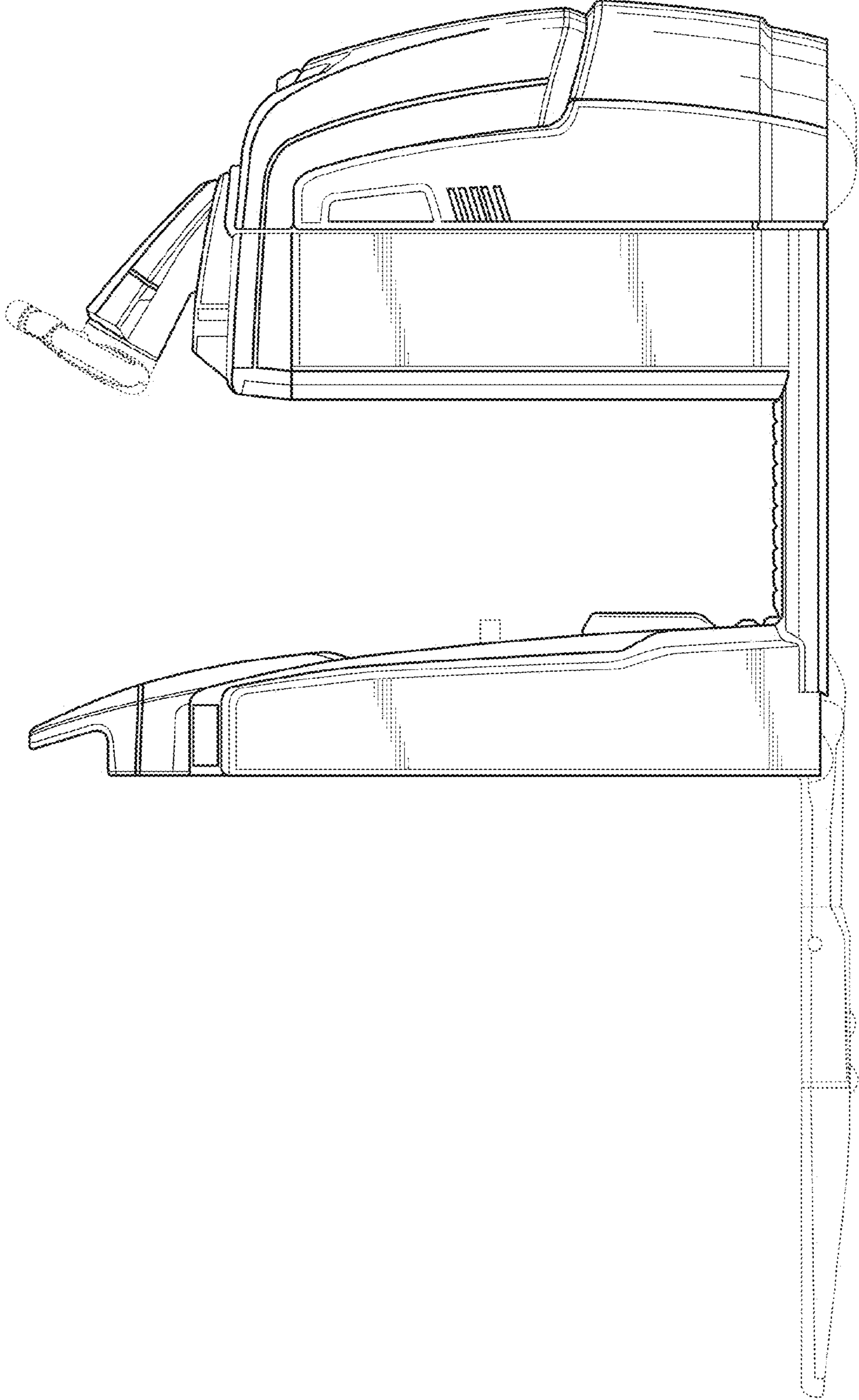


FIG. 5

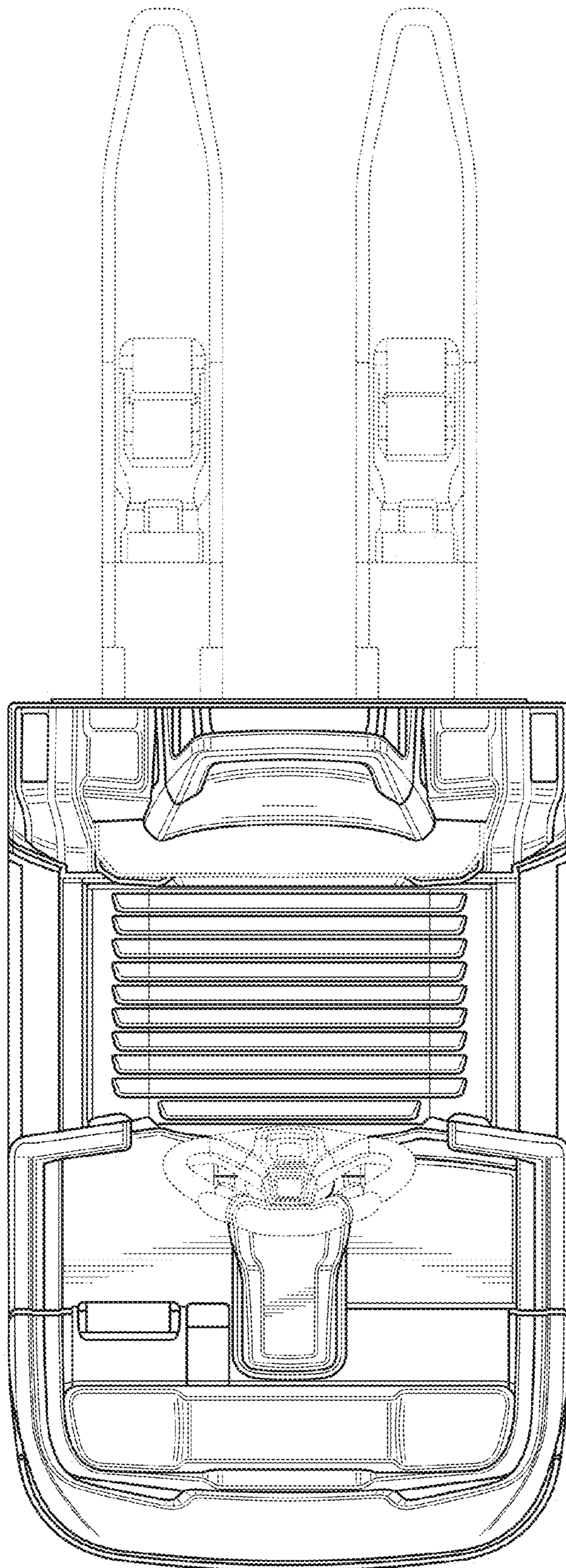


FIG. 6

FIG. 7

