



US00D756585S

(12) **United States Design Patent**
Rowlinson

(10) **Patent No.:** **US D756,585 S**

(45) **Date of Patent:** **** May 17, 2016**

(54) **GARDEN CART**

(71) Applicant: **Richard James Rowlinson**, Nantwich
(GB)

(72) Inventor: **Richard James Rowlinson**, Nantwich
(GB)

(**) Term: **14 Years**

(21) Appl. No.: **29/502,408**

(22) Filed: **Sep. 16, 2014**

(30) **Foreign Application Priority Data**

Jul. 28, 2014 (GB) 002510206-001

(51) **LOC (10) Cl.** **12-02**

(52) **U.S. Cl.**
USPC **D34/17**

(58) **Field of Classification Search**
USPC D34/1-27; 280/641, 47.35, 79.3, 47.26,
280/47.33, 47.371, 47.27, 47.29, 47.31,
280/33.991, 33.993, 33.994, 47.18, 79.11,
280/79.2, 47.34, 47.19, 47.11, 47.16,
280/47.24; D6/445, 446, 448, 478, 479,
D6/481, 484, 487

CPC B62B 3/1476; B62B 3/002; B62B 5/0438
See application file for complete search history.

(56) **References Cited**

U.S. PATENT DOCUMENTS

D304,111 S * 10/1989 Mehalick D34/12
D354,382 S * 1/1995 Mogensen D34/17

D361,188 S * 8/1995 Perelli D34/17
D396,918 S * 8/1998 Golichowski D34/12
D446,376 S * 8/2001 Vanderbyl D34/12
D486,618 S * 2/2004 Crosco, Sr. D34/17
D618,418 S * 6/2010 Catron D34/12
D618,419 S * 6/2010 Catron D34/12
D618,421 S * 6/2010 Catron D34/27
D685,154 S * 6/2013 Ambrefe, Jr. D34/12
D687,613 S * 8/2013 Ho D34/12
2001/0005070 A1 * 6/2001 Kemnitzer B62B 3/108
280/33.991

FOREIGN PATENT DOCUMENTS

GB 4017431 1/2011

* cited by examiner

Primary Examiner — Cynthia Ramirez

Assistant Examiner — Gino Colan

(74) *Attorney, Agent, or Firm* — John H. Pearson, Jr.; Walter
F. Dawson; Pearson & Pearson, LLC

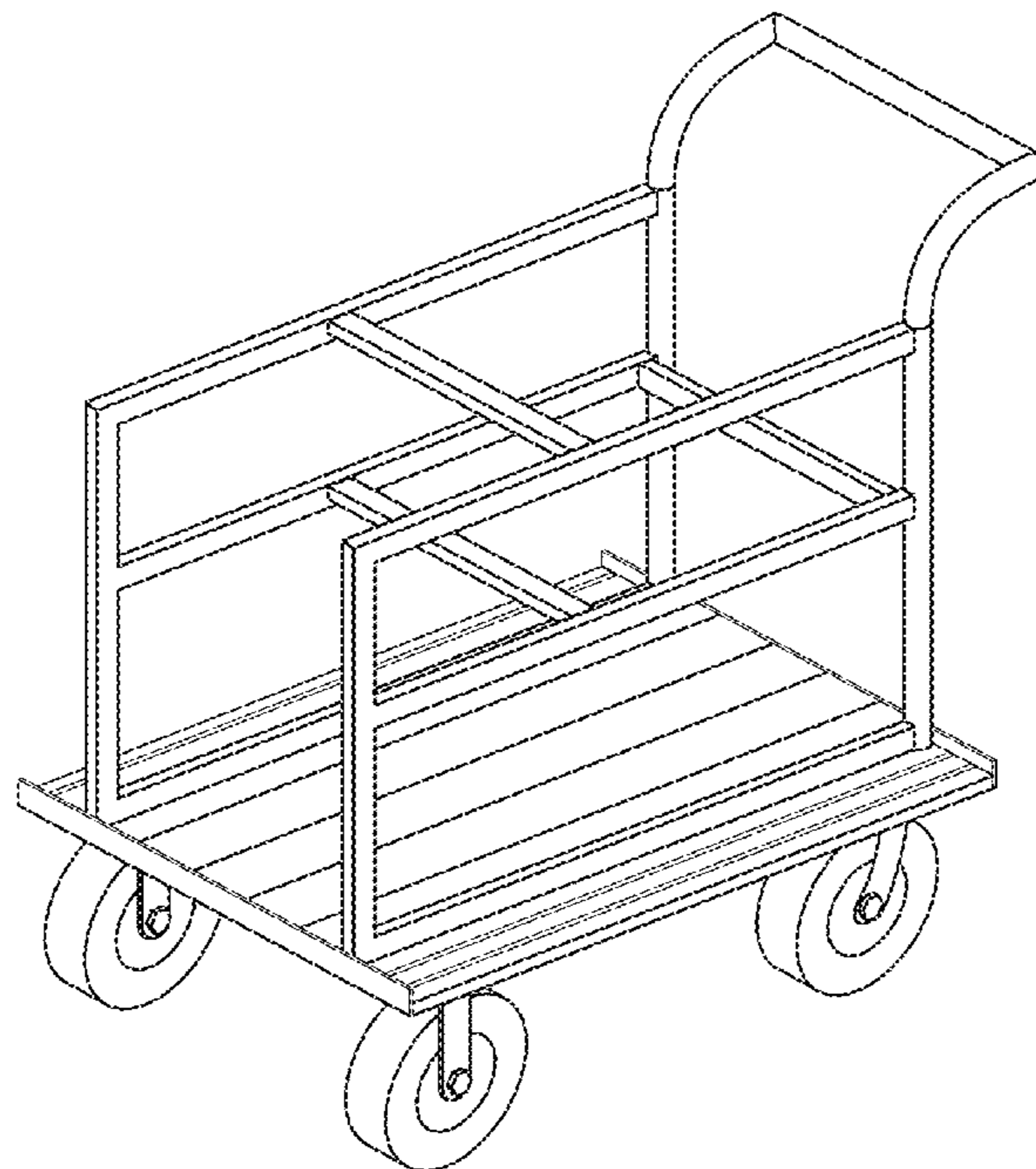
(57) **CLAIM**

The ornamental design for the garden cart, as shown and
described.

DESCRIPTION

FIG. 1 is a top view of the garden cart.
FIG. 2 is a left side elevational view of the garden cart with the
right side being a mirror image thereof.
FIG. 3 is a rear elevational view of the garden cart.
FIG. 4 is a left side perspective view of the garden cart; and,
FIG. 5 is a right side perspective view of the garden cart.

1 Claim, 5 Drawing Sheets



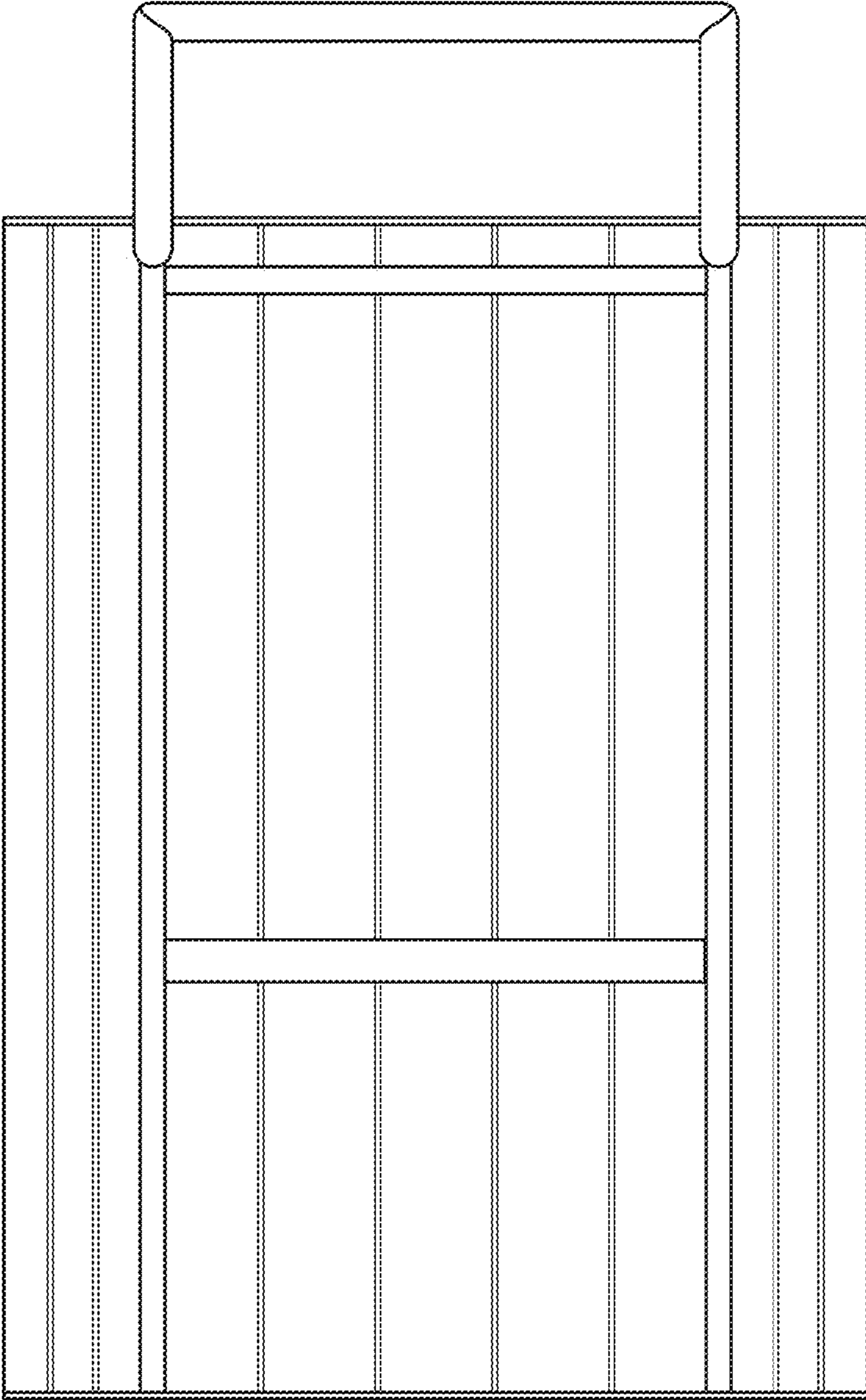


FIG. 1

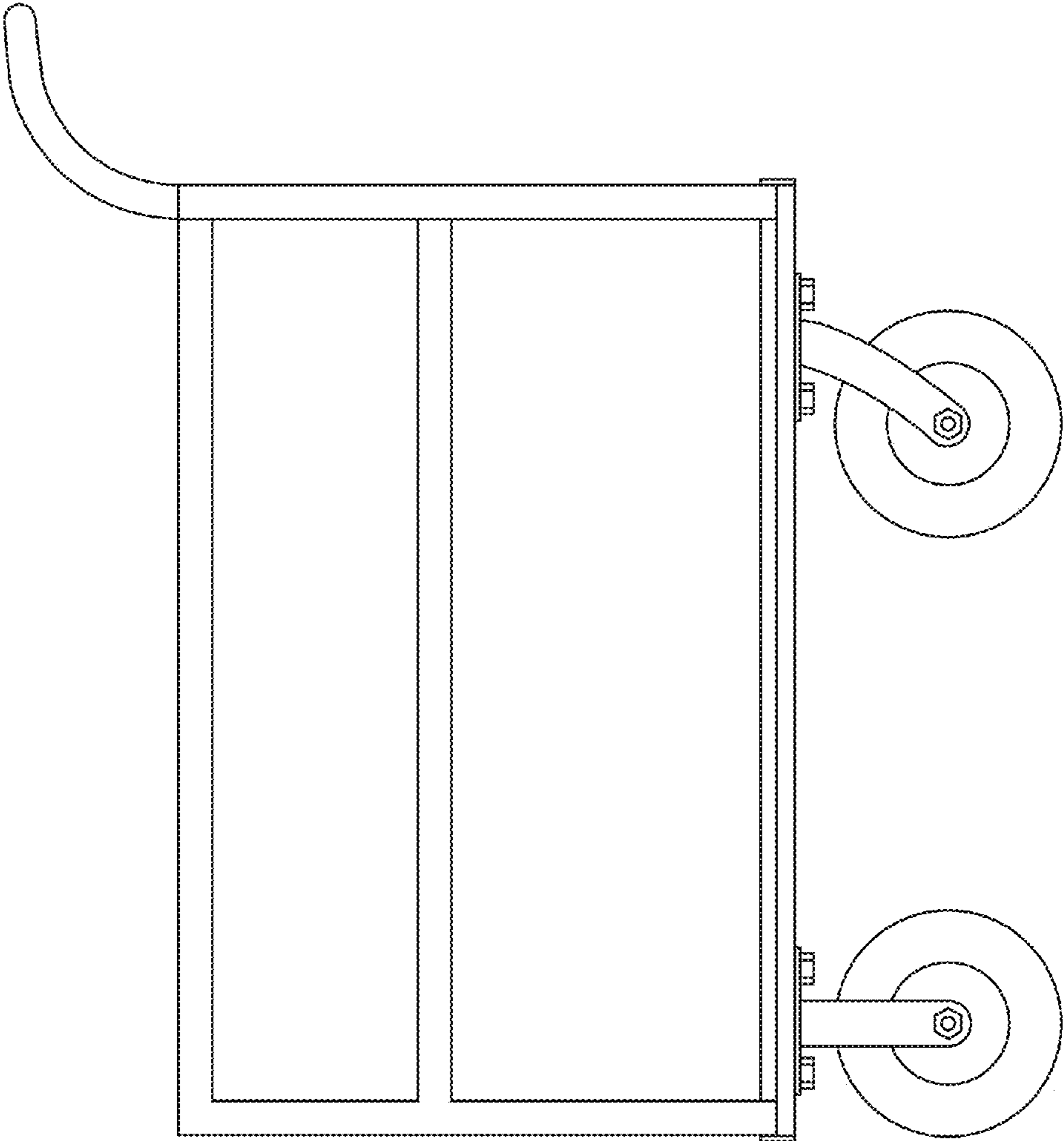


FIG. 2

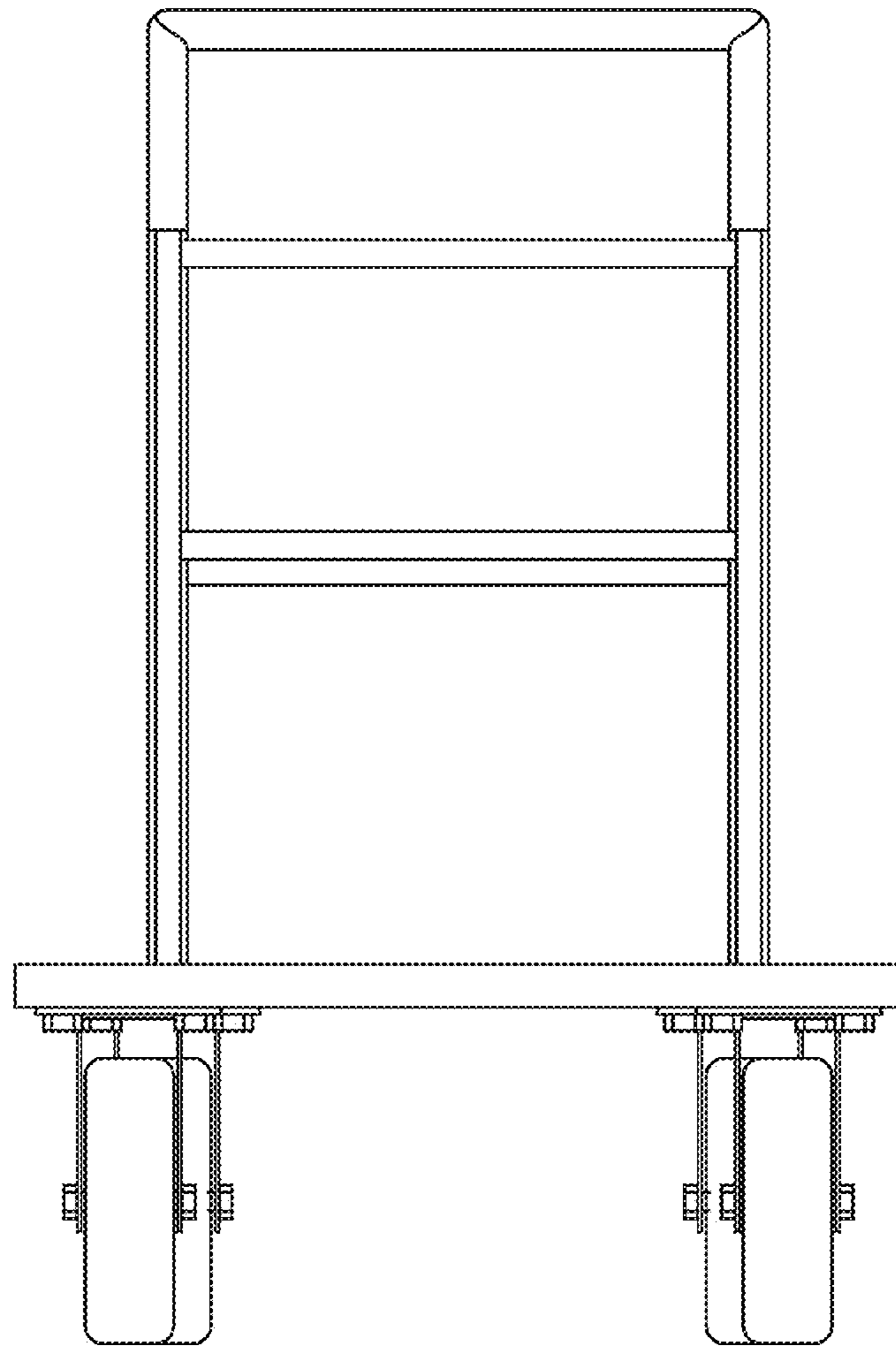


FIG. 3

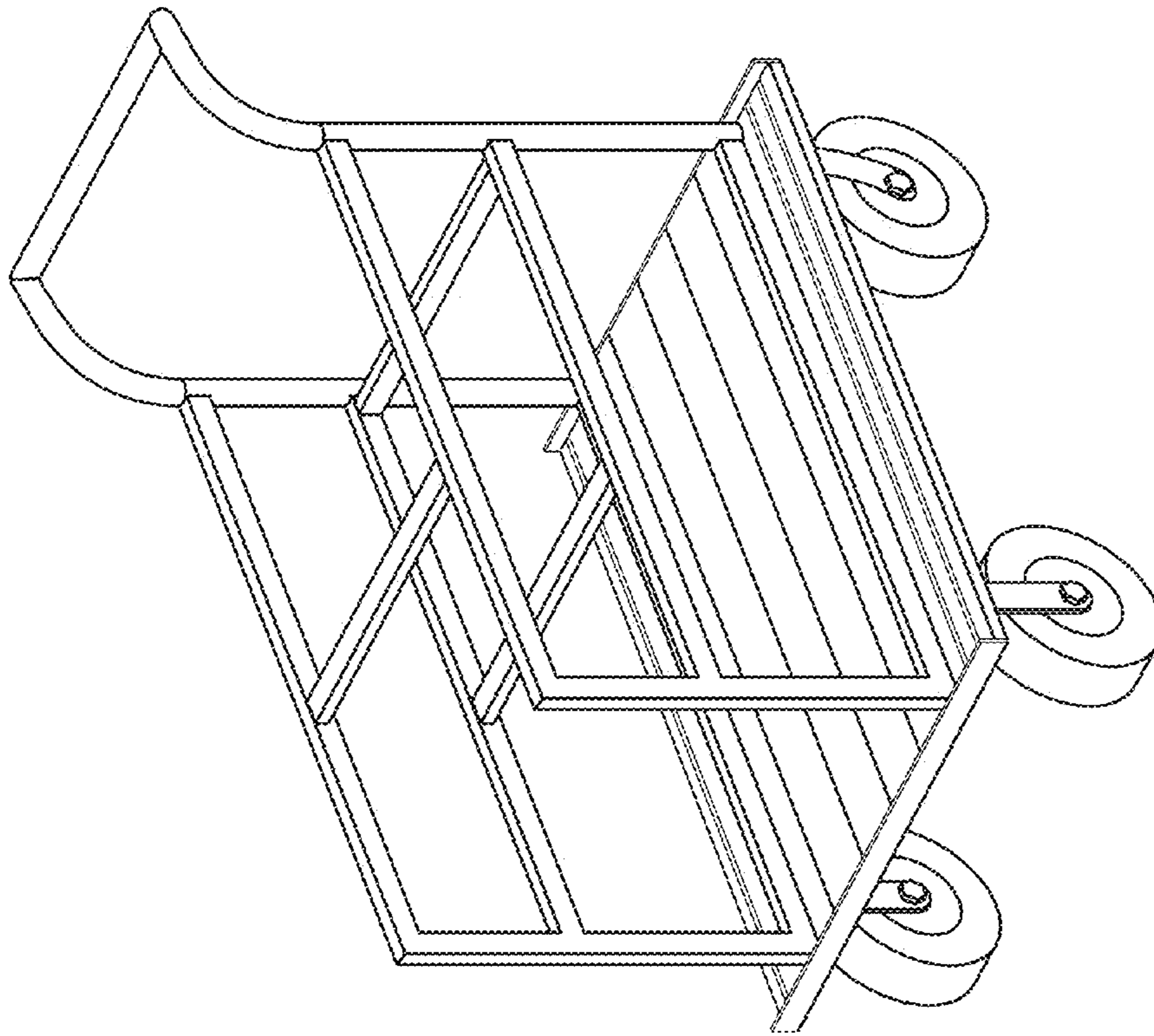


FIG. 4

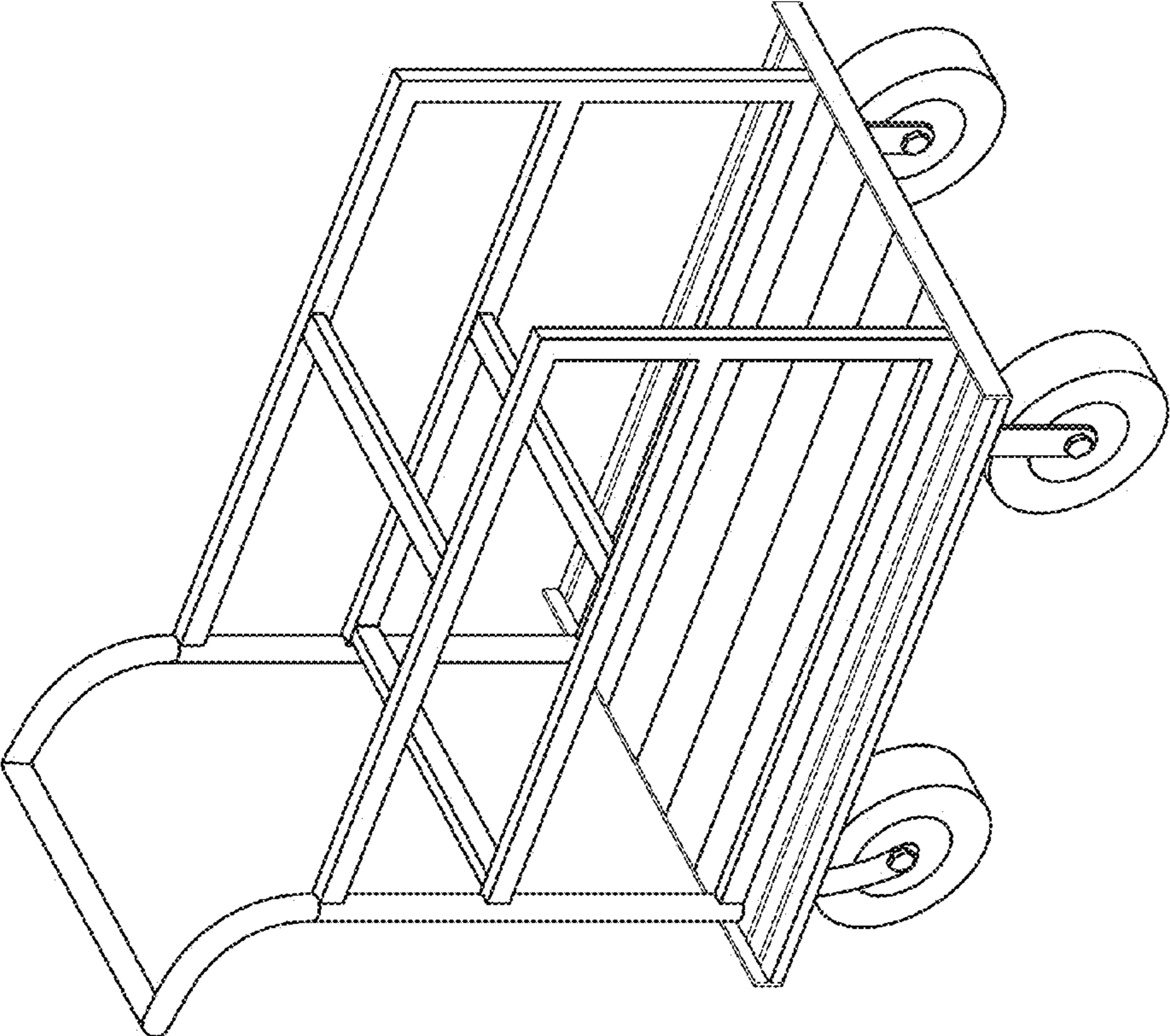


FIG. 5

UNITED STATES PATENT AND TRADEMARK OFFICE
CERTIFICATE OF CORRECTION

PATENT NO. : D756,585 S
APPLICATION NO. : 29/502408
DATED : May 17, 2016
INVENTOR(S) : Richard James Rowlinson

Page 1 of 1

It is certified that error appears in the above-identified patent and that said Letters Patent is hereby corrected as shown below:

On the Title Page

The Foreign Application Priority Data reads:

Jul. 28, 2014 (GB) 002510206-001

Should read:

Jul. 28, 2014 (EU) 002510206-001

Signed and Sealed this
Seventh Day of February, 2017



Michelle K. Lee
Director of the United States Patent and Trademark Office