



US00D756583S

(12) **United States Design Patent**
Arvinte et al.

(10) **Patent No.:** **US D756,583 S**

(45) **Date of Patent:** **** May 17, 2016**

(54) **PAINT LINER**

(71) Applicant: **A. RICHARD TOOLS CO./OUTILS**
A. RICHARD CO., Berthierville (CA)

(72) Inventors: **Romeo Arvinte**, Laval-des-Rapides (CA); **Francois Panfli**, Berthierville (CA)

(73) Assignee: **A. RICHARD TOOLS CO./OUTILS**
A. RICHARD CO., Berthierville, Quebec (CA)

(**) Term: **14 Years**

(21) Appl. No.: **29/512,060**

(22) Filed: **Dec. 16, 2014**

(51) **LOC (10) Cl.** **07-07**

(52) **U.S. Cl.**
USPC **D32/53**

(58) **Field of Classification Search**
USPC D32/53, 53.1, 54; 220/735, 736, 904,
220/495.01, 495.02; 15/260-264, 119.1,
15/120.1

CPC B44D 3/128; B44D 3/12; B44D 3/126;
A47L 13/58; B65D 35/22; B65D 25/14
See application file for complete search history.

(56) **References Cited**

U.S. PATENT DOCUMENTS

D477,702 S * 7/2003 Kohn D32/53.1
D546,514 S * 7/2007 Byrne D32/53
D607,624 S * 1/2010 Bergman D32/54
D612,119 S * 3/2010 Bergman D32/54

D641,940 S * 7/2011 Cipolloni D32/53
D645,627 S * 9/2011 Arvinte et al.
D673,339 S * 12/2012 Bergman D32/54
D678,638 S * 3/2013 Bergman D32/54
D692,198 S * 10/2013 Bergman D32/54
D728,884 S * 5/2015 Waffensmith D32/54

* cited by examiner

Primary Examiner — Robin V Webster

(74) *Attorney, Agent, or Firm* — Merchant & Gould P.C.

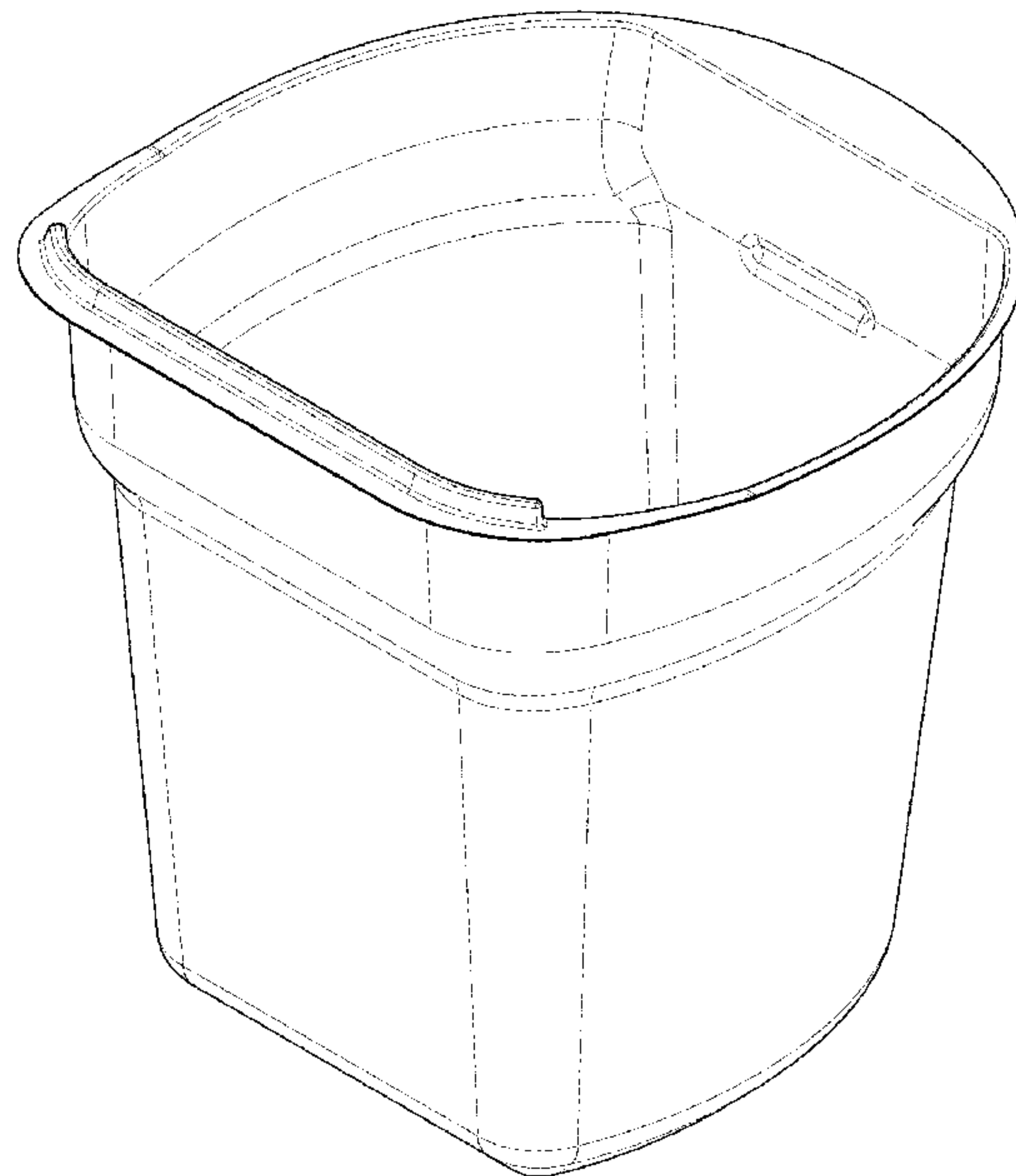
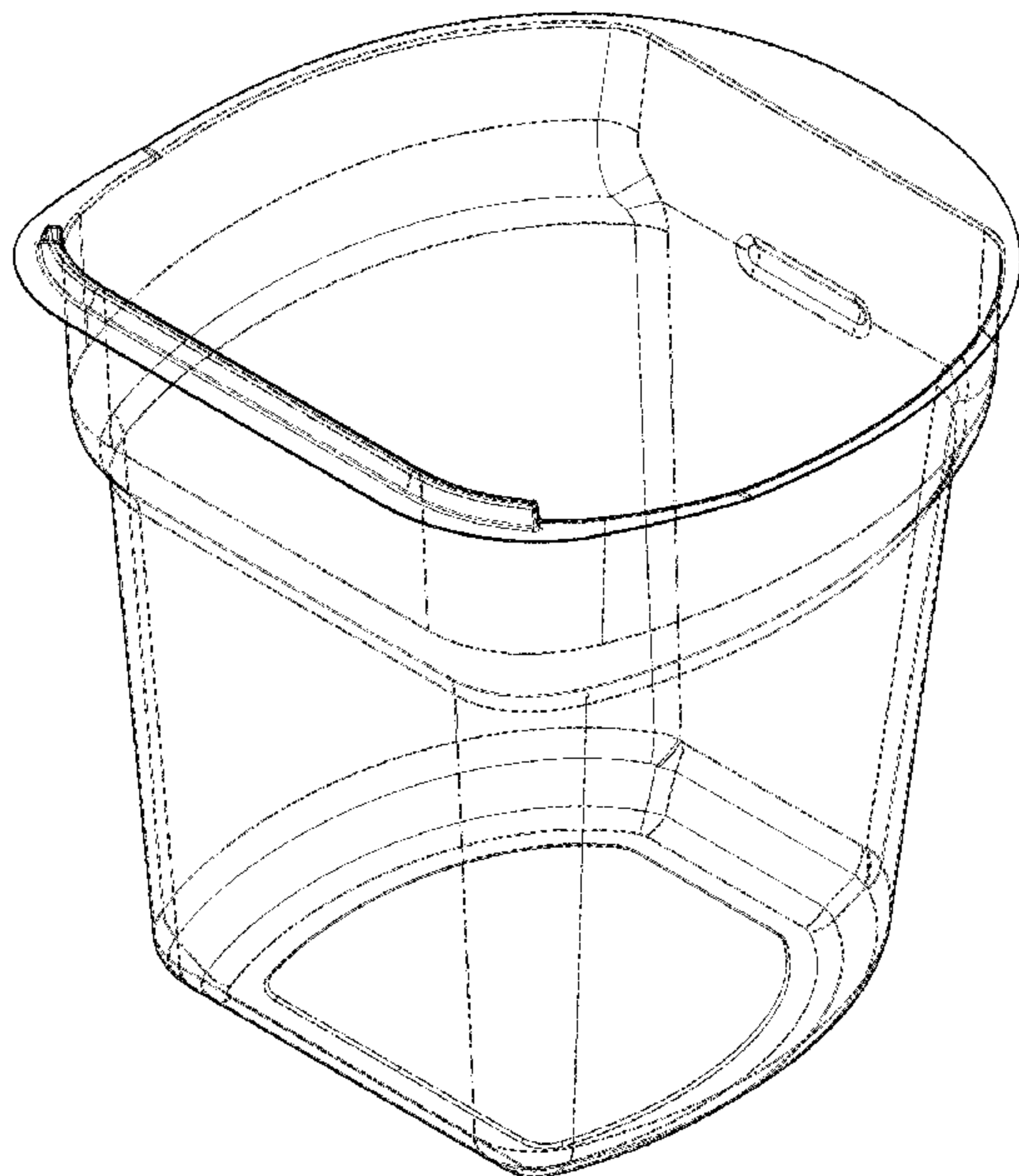
(57) **CLAIM**

The ornamental design for a paint liner, as shown and described.

DESCRIPTION

FIG. 1 is a front perspective view of a transparent embodiment of our new design;
FIG. 2 is rear perspective view thereof;
FIG. 3 is a front view thereof;
FIG. 4 is a rear view thereof;
FIG. 5 is a left side view thereof;
FIG. 6 is a right side view thereof;
FIG. 7 is a top view thereof;
FIG. 8 is a bottom view thereof;
FIG. 9 is a front perspective view of an opaque embodiment of our new design;
FIG. 10 is rear perspective view thereof;
FIG. 11 is a front view thereof;
FIG. 12 is a rear view thereof;
FIG. 13 is a left side view thereof;
FIG. 14 is a right side view thereof;
FIG. 15 is a top view thereof; and,
FIG. 16 is a bottom view thereof.

1 Claim, 16 Drawing Sheets



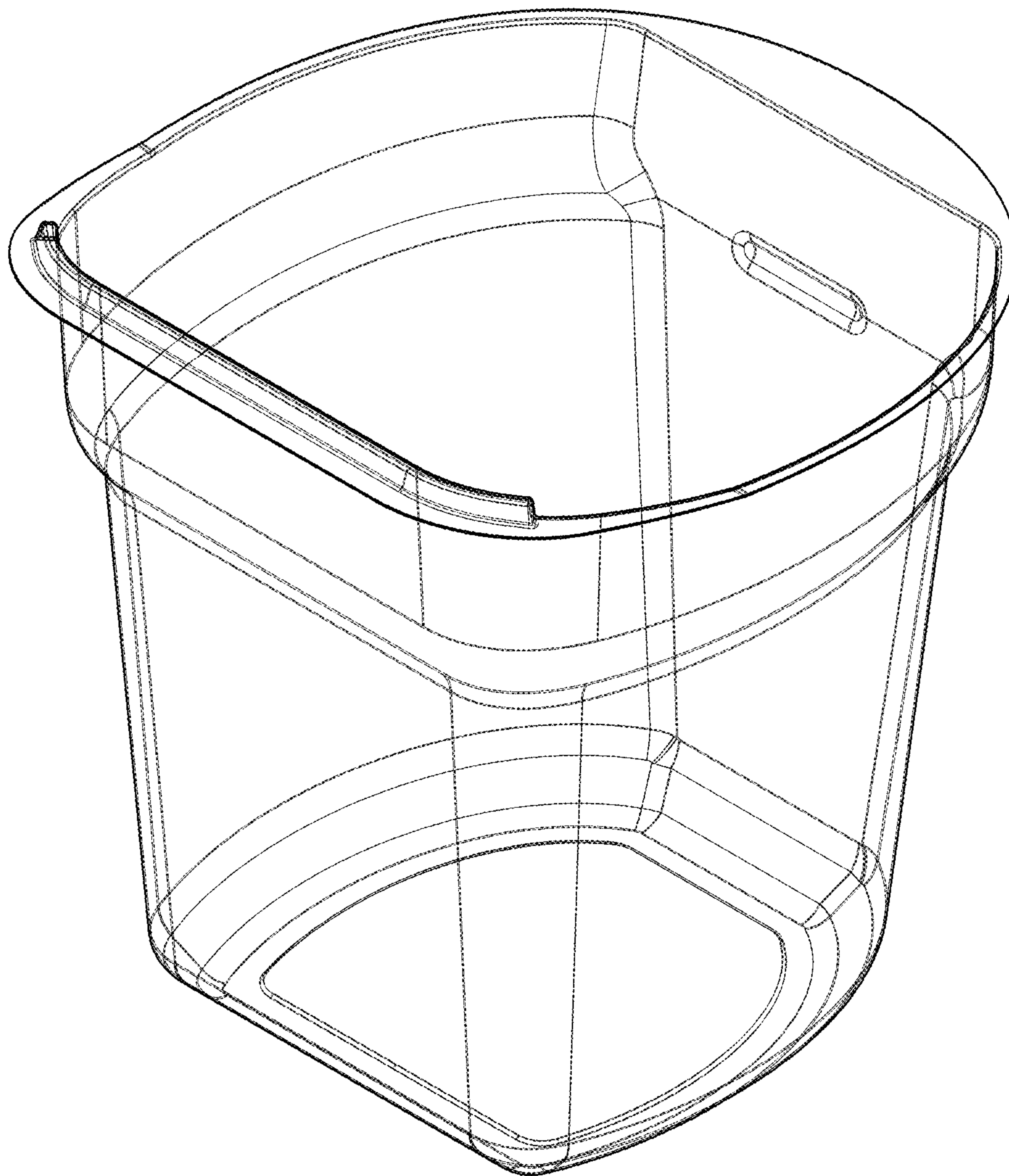


FIG. 1

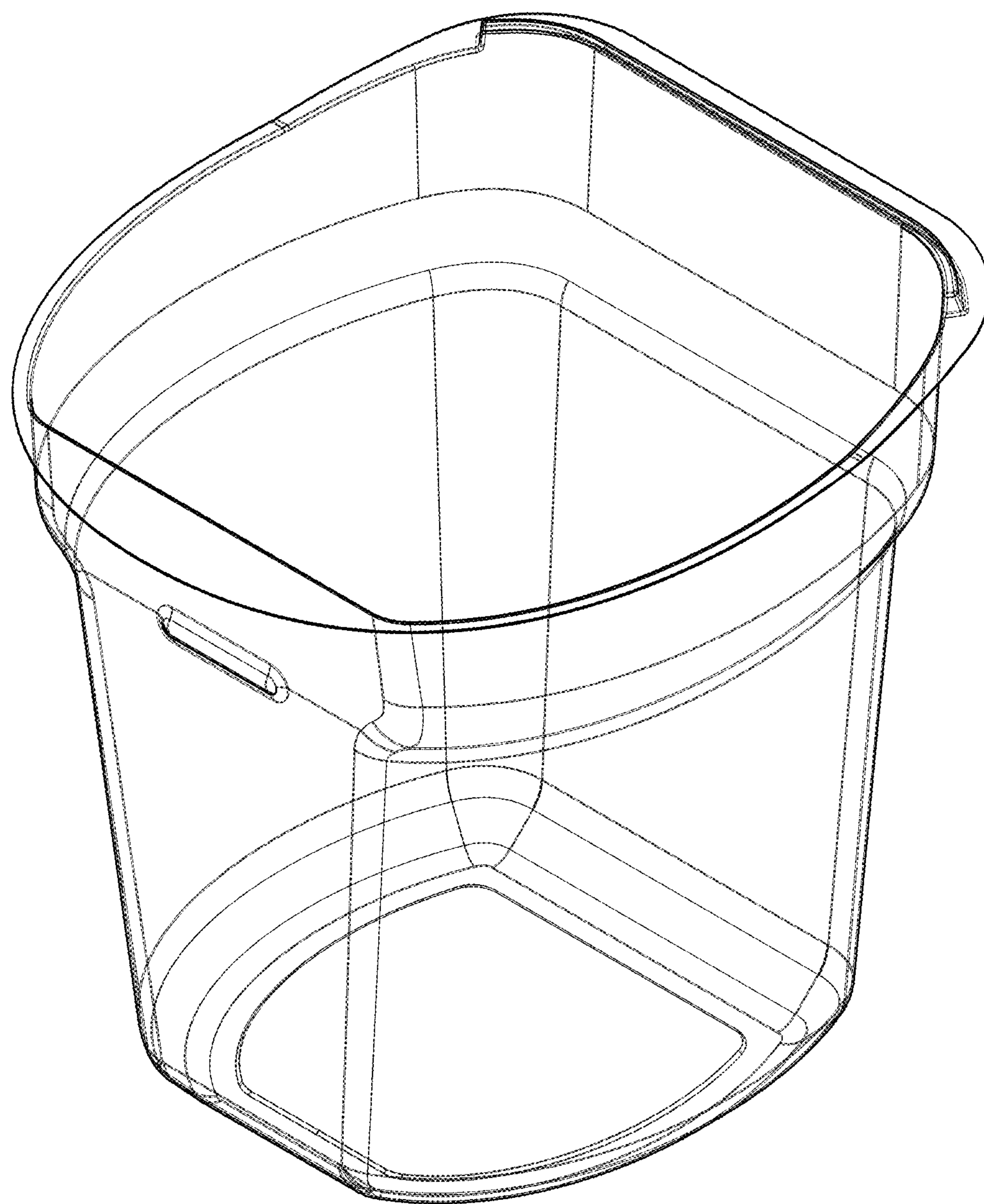


FIG. 2

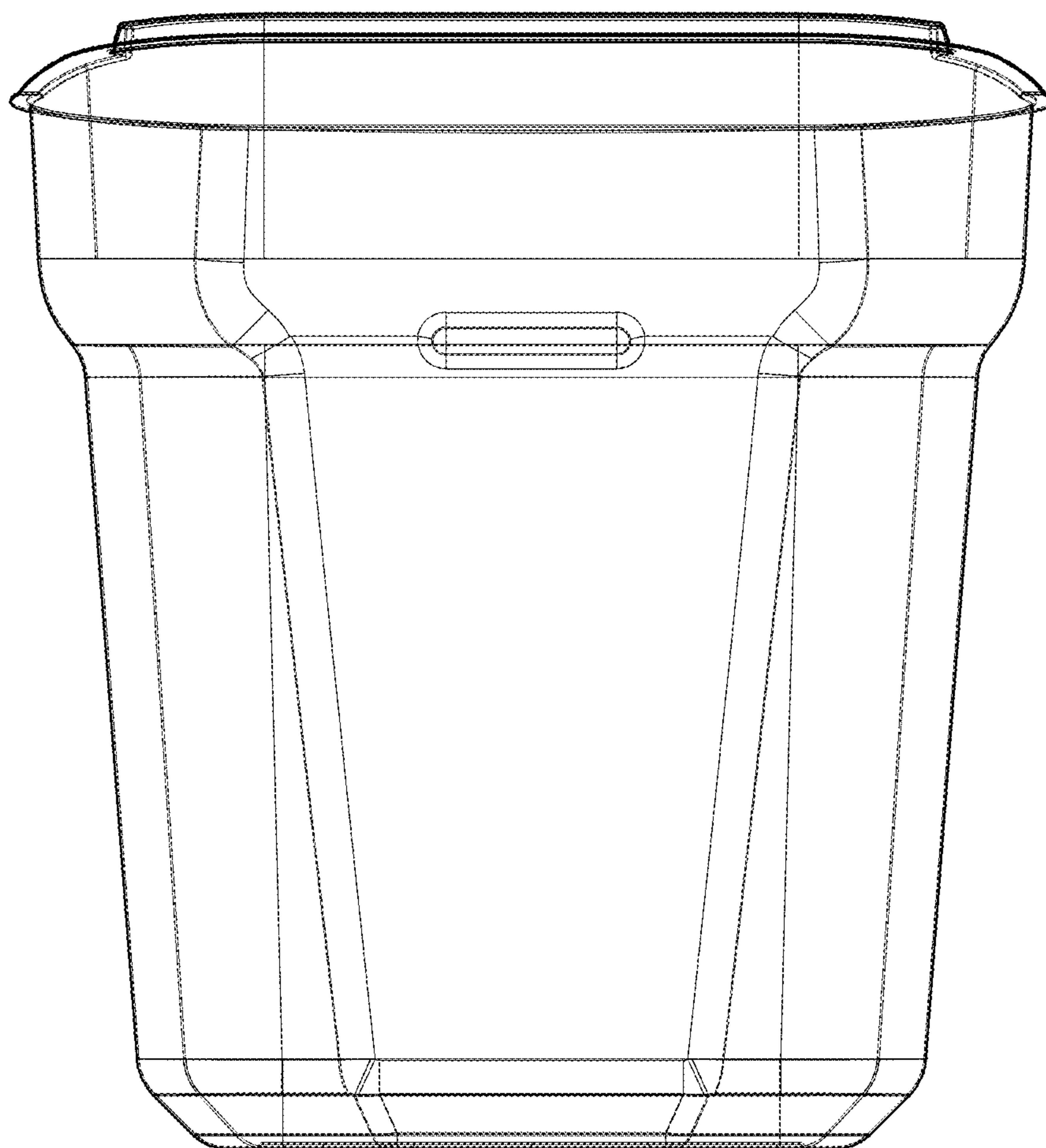


FIG. 3

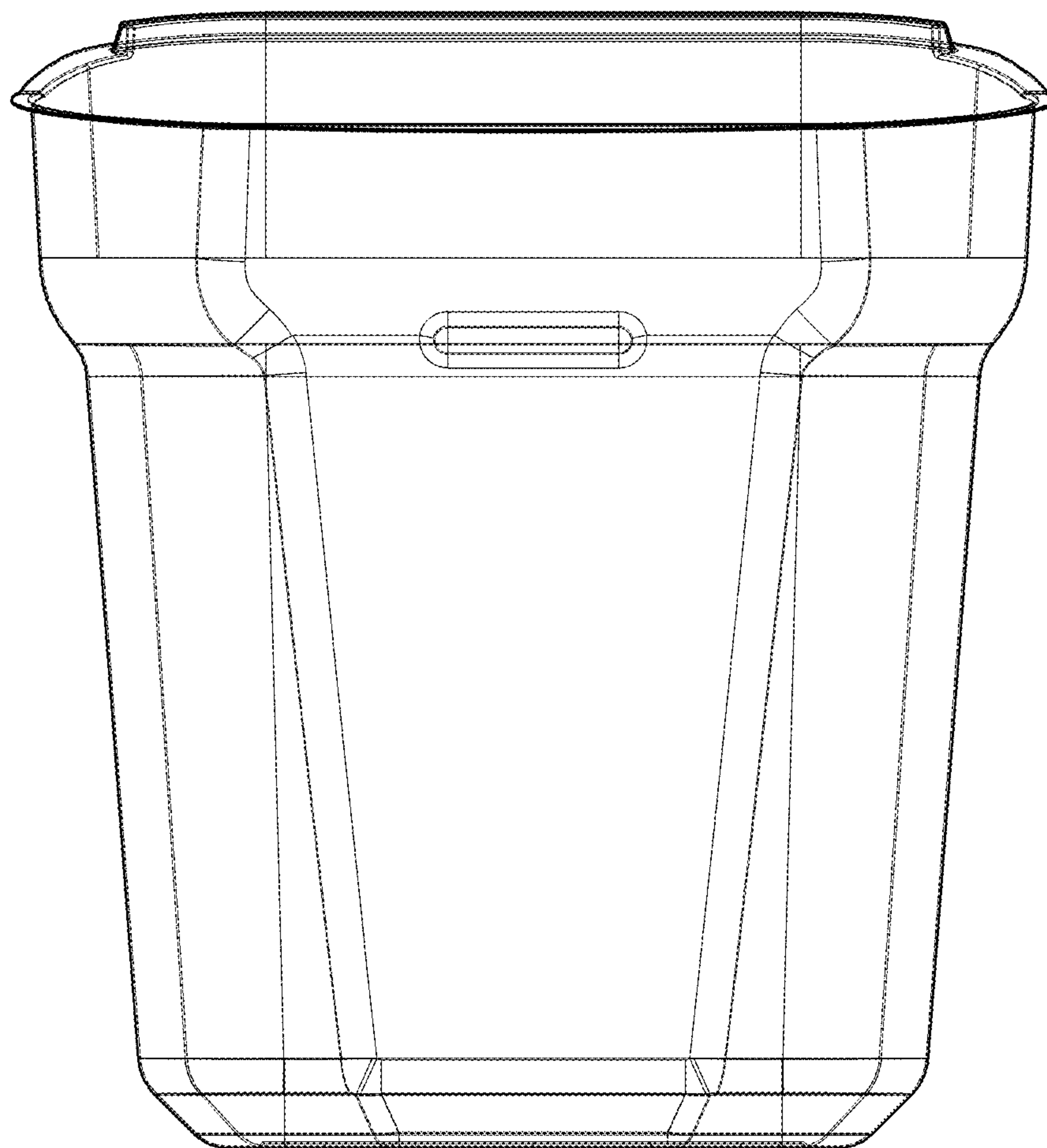


FIG. 4

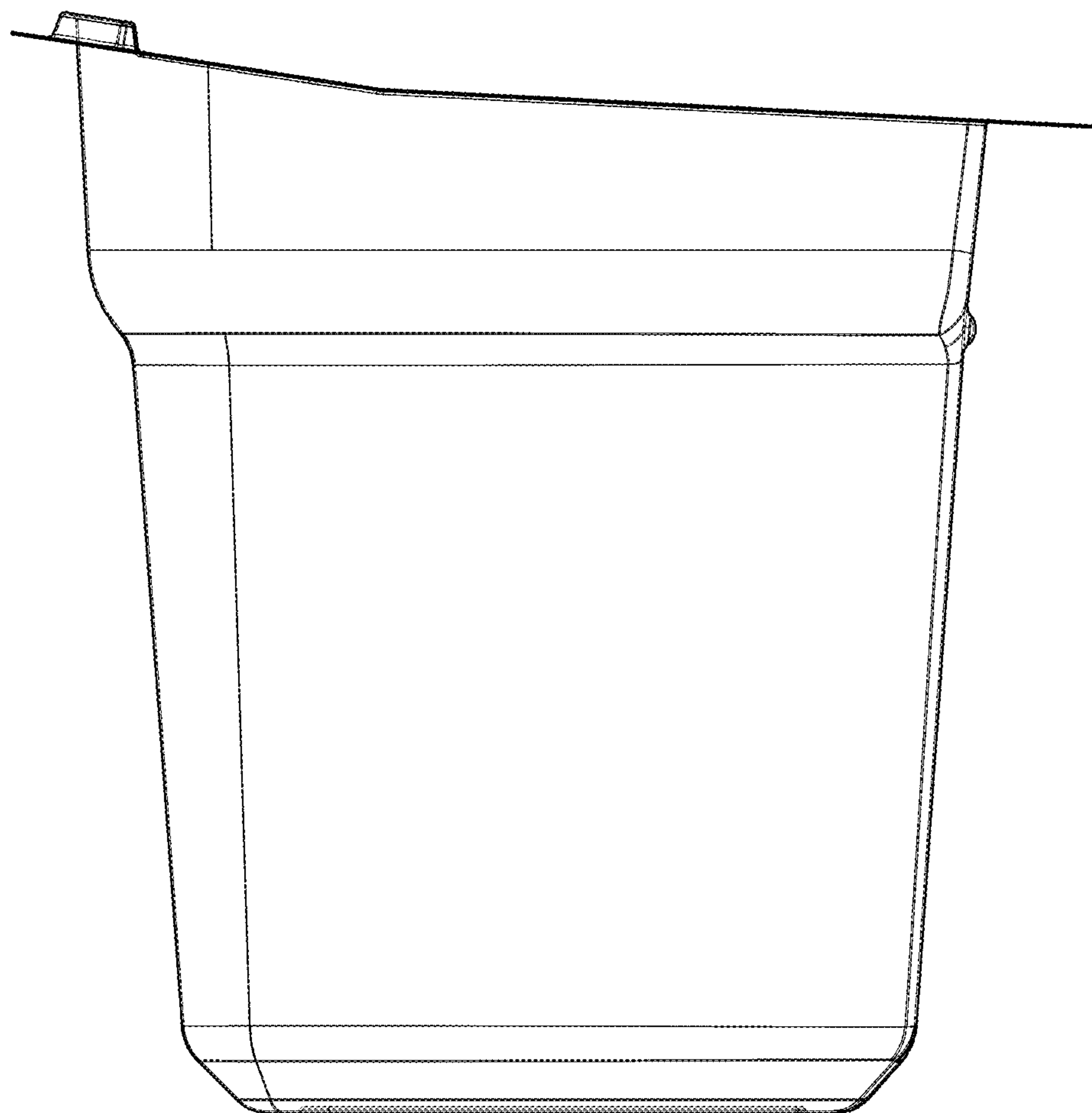


FIG. 5

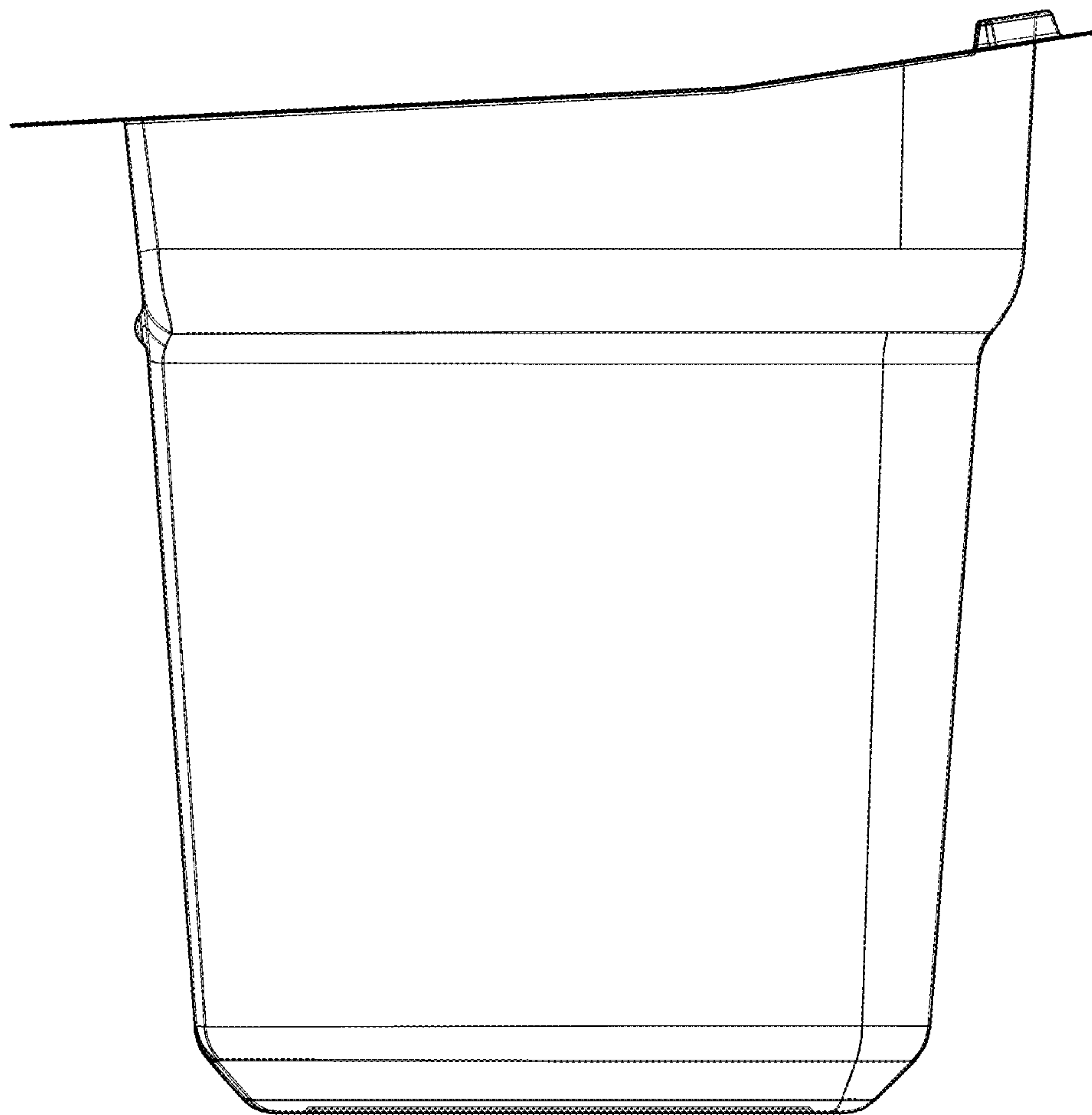


FIG. 6

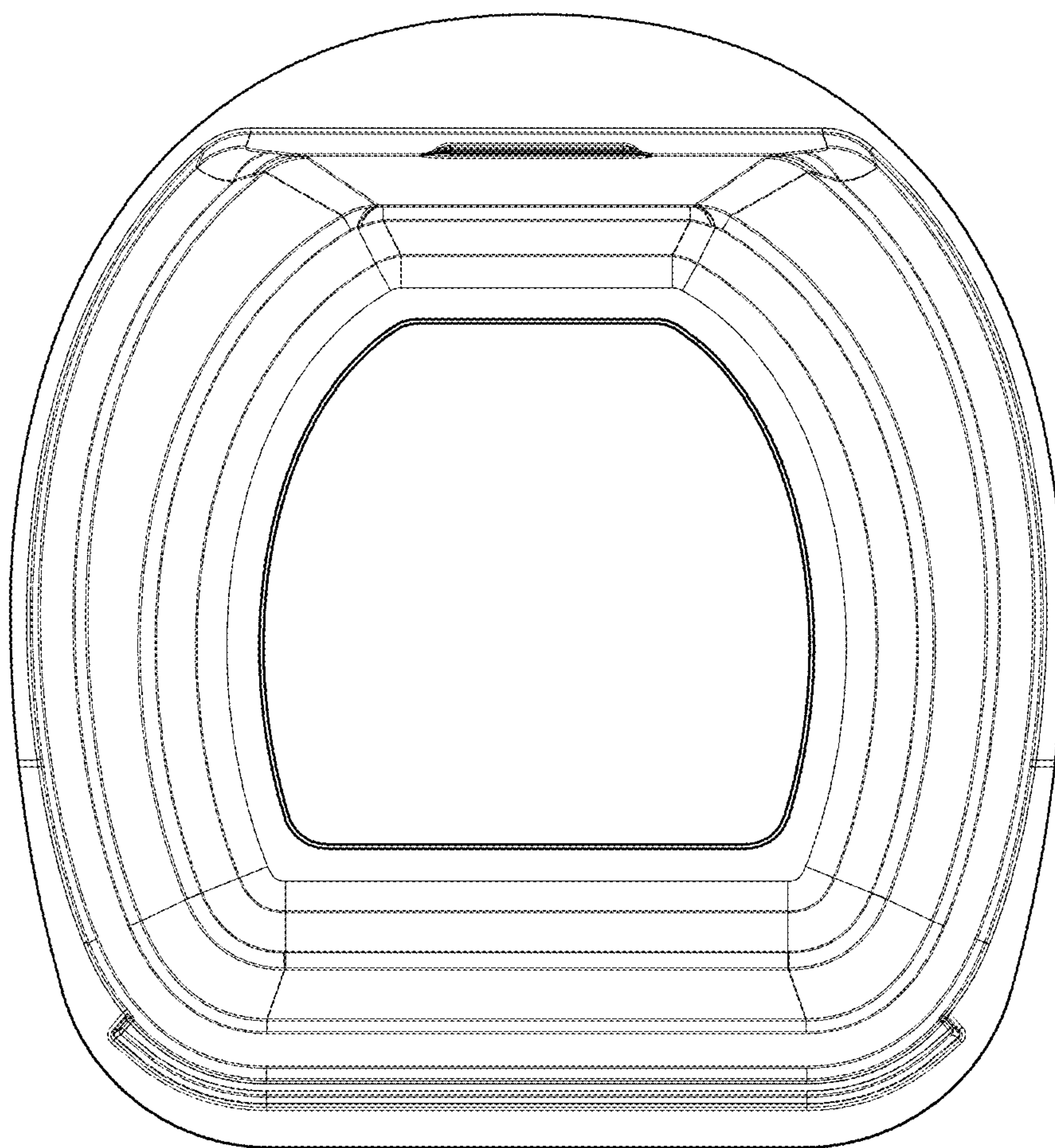


FIG. 7

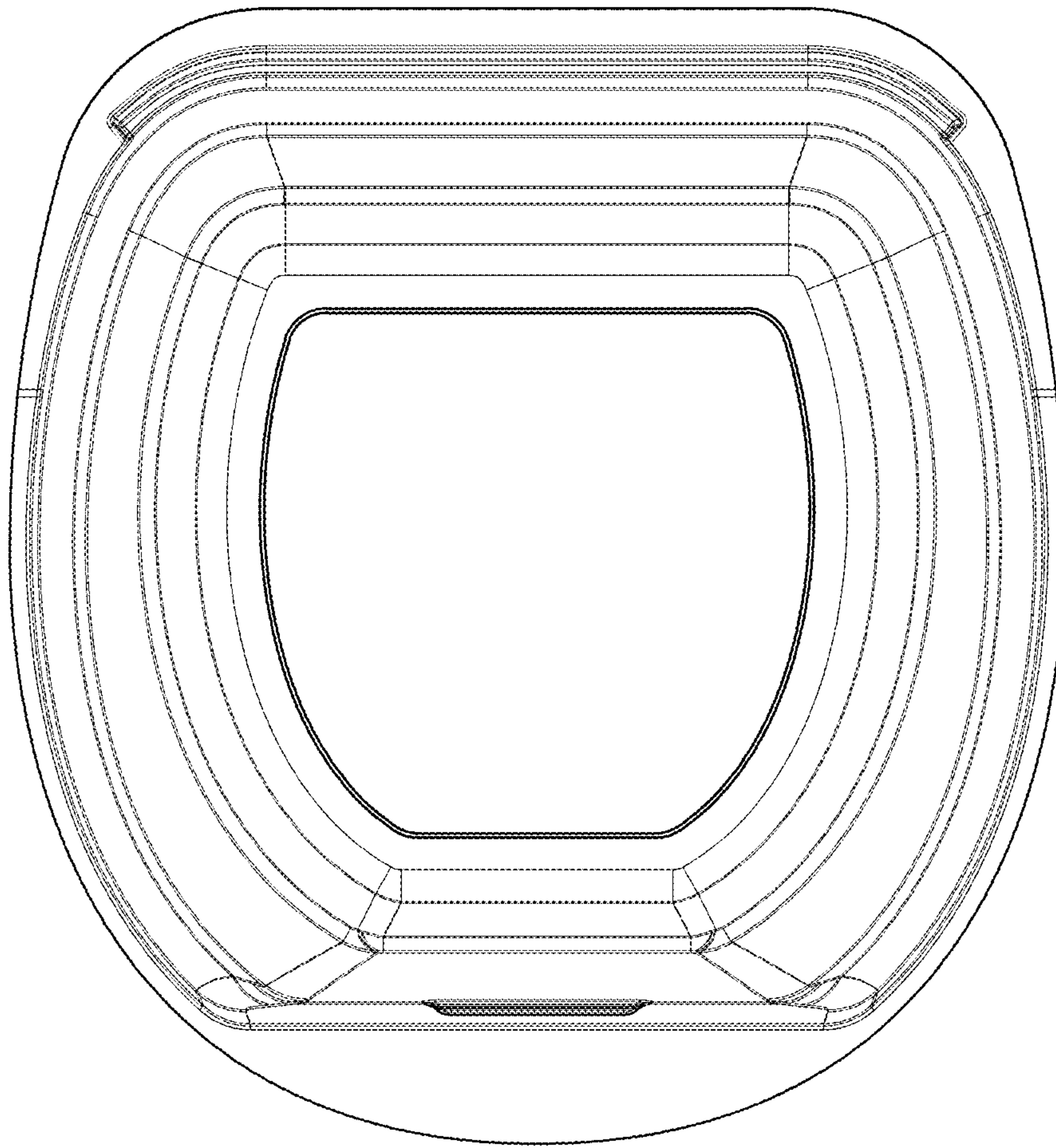


FIG. 8

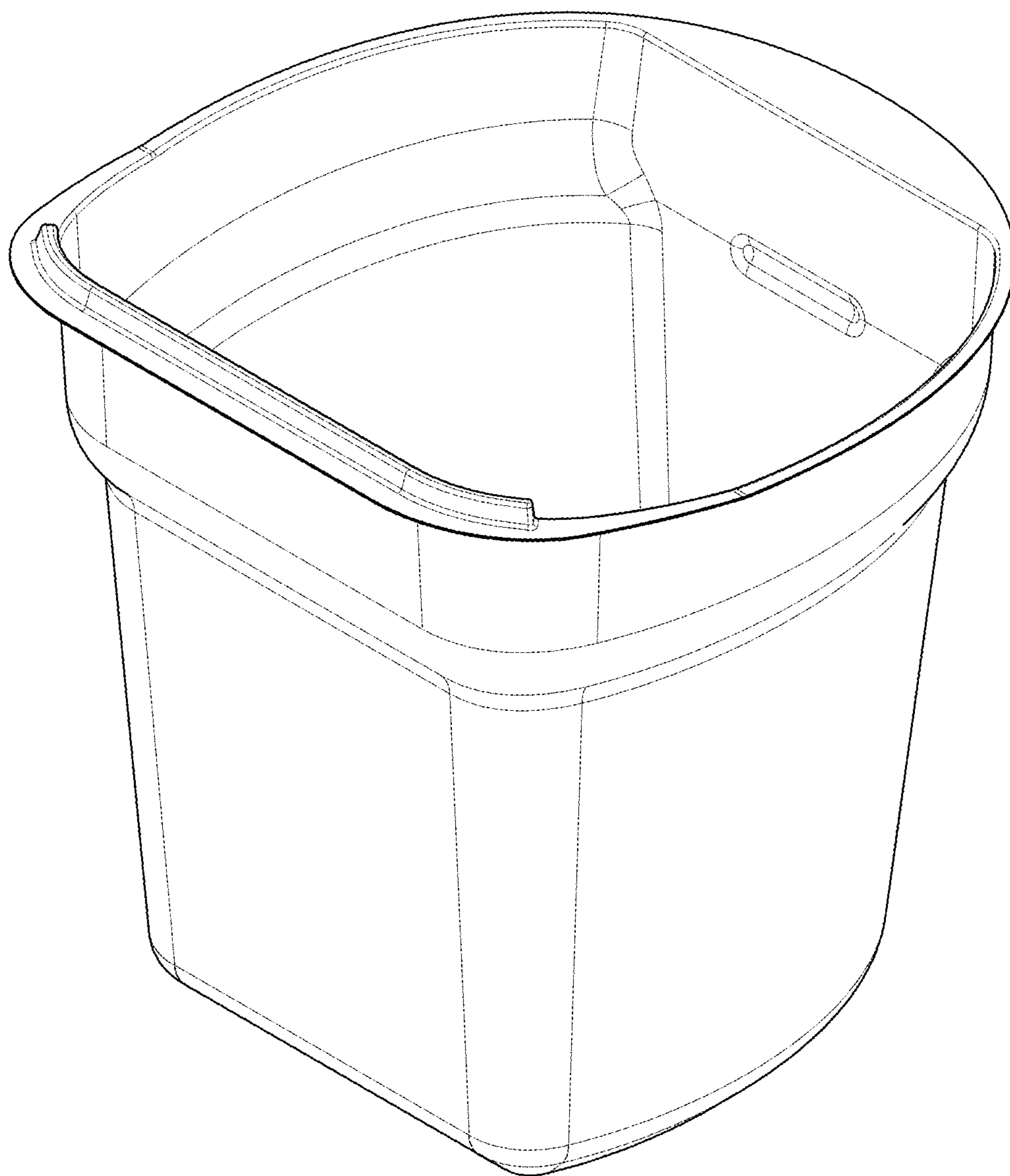


FIG. 9

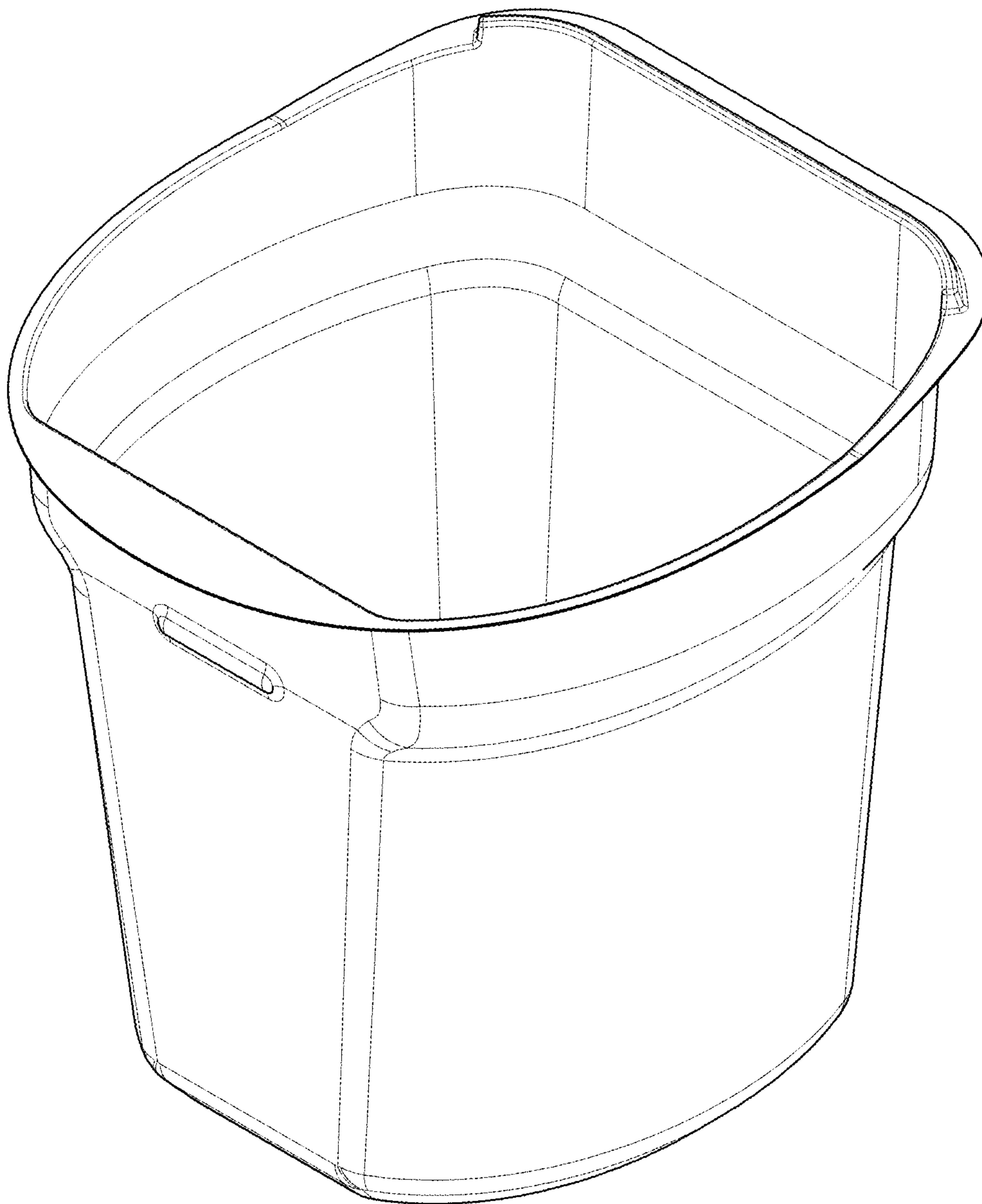


FIG. 10

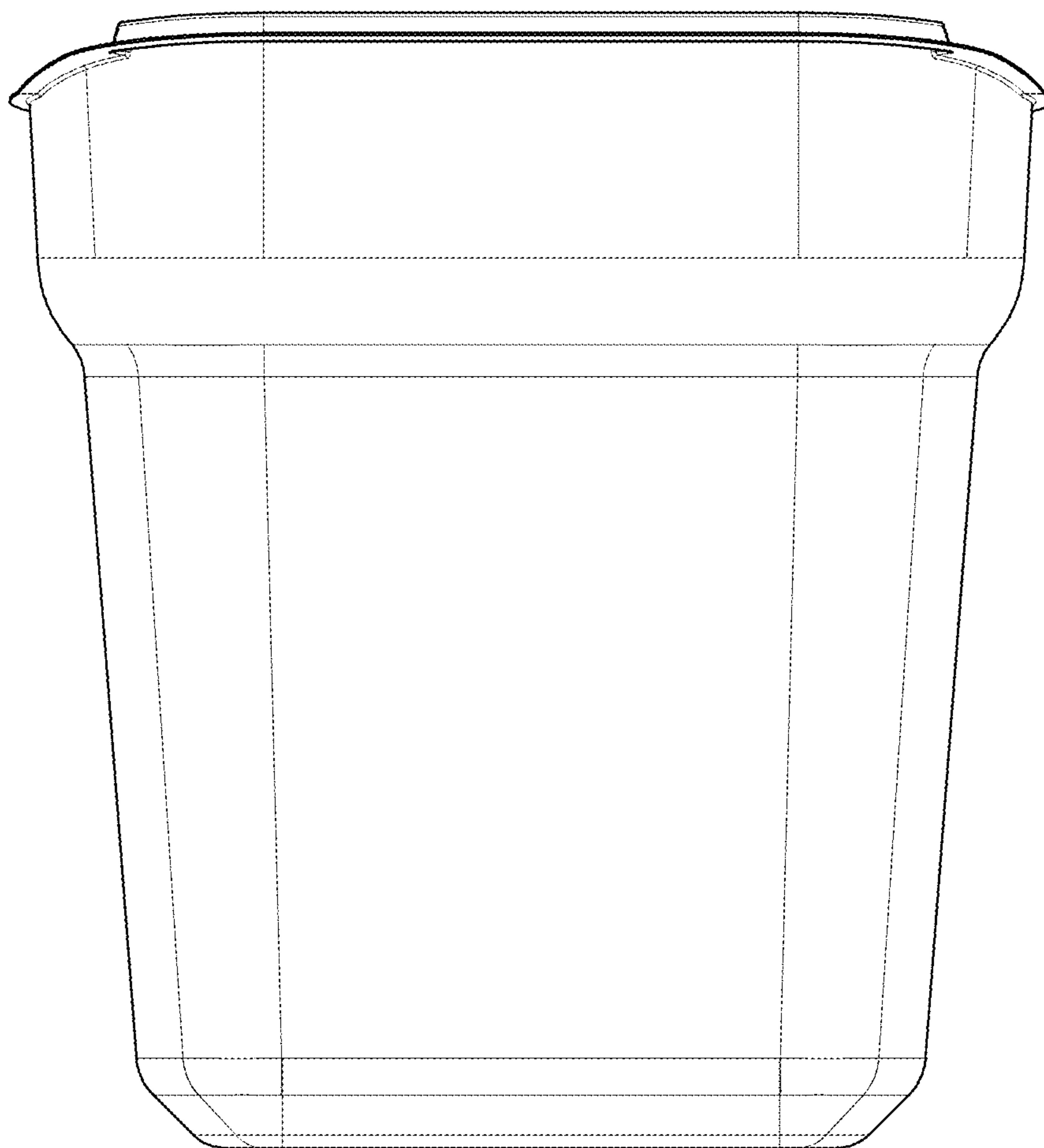


FIG. 11

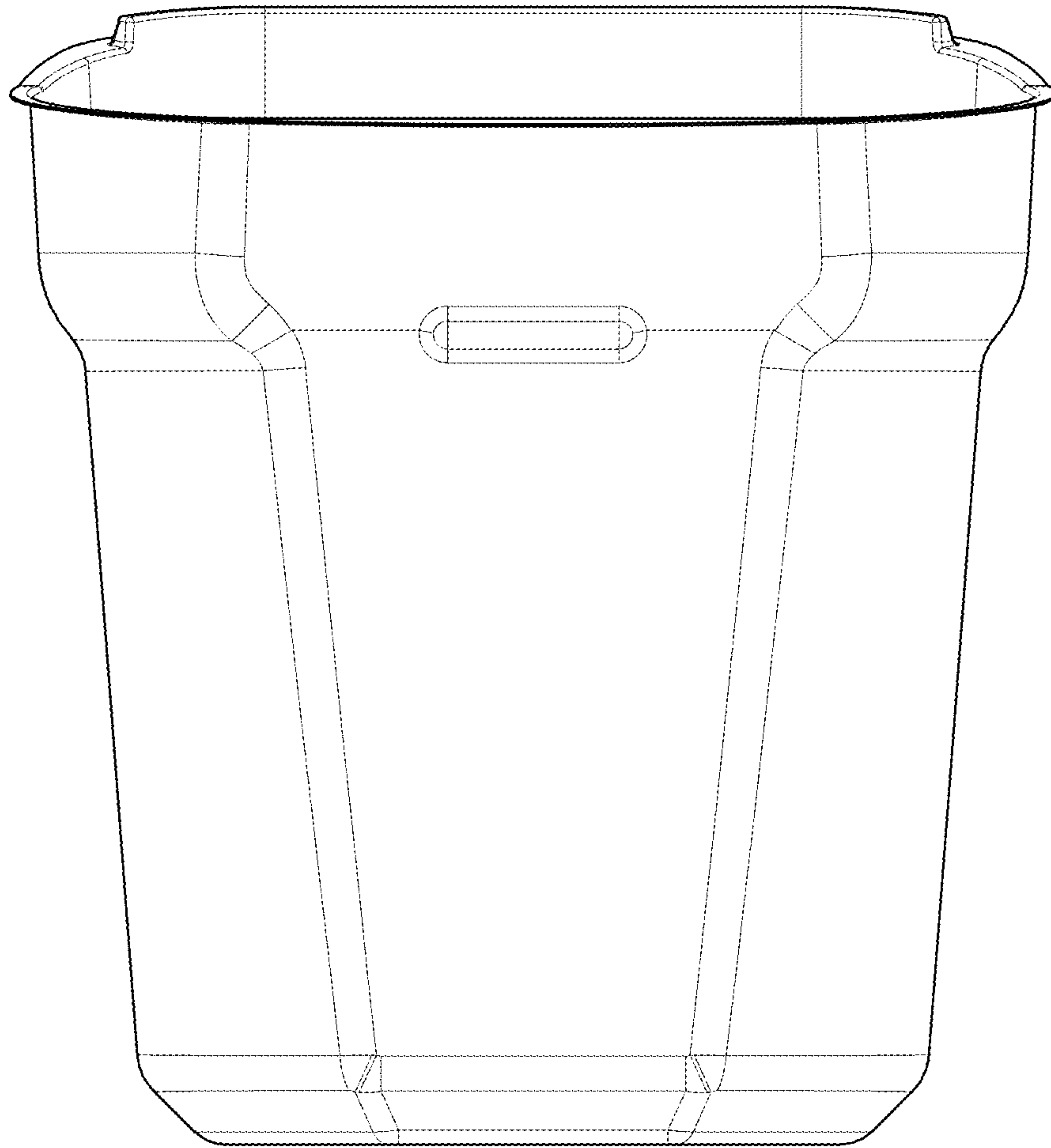


FIG. 12

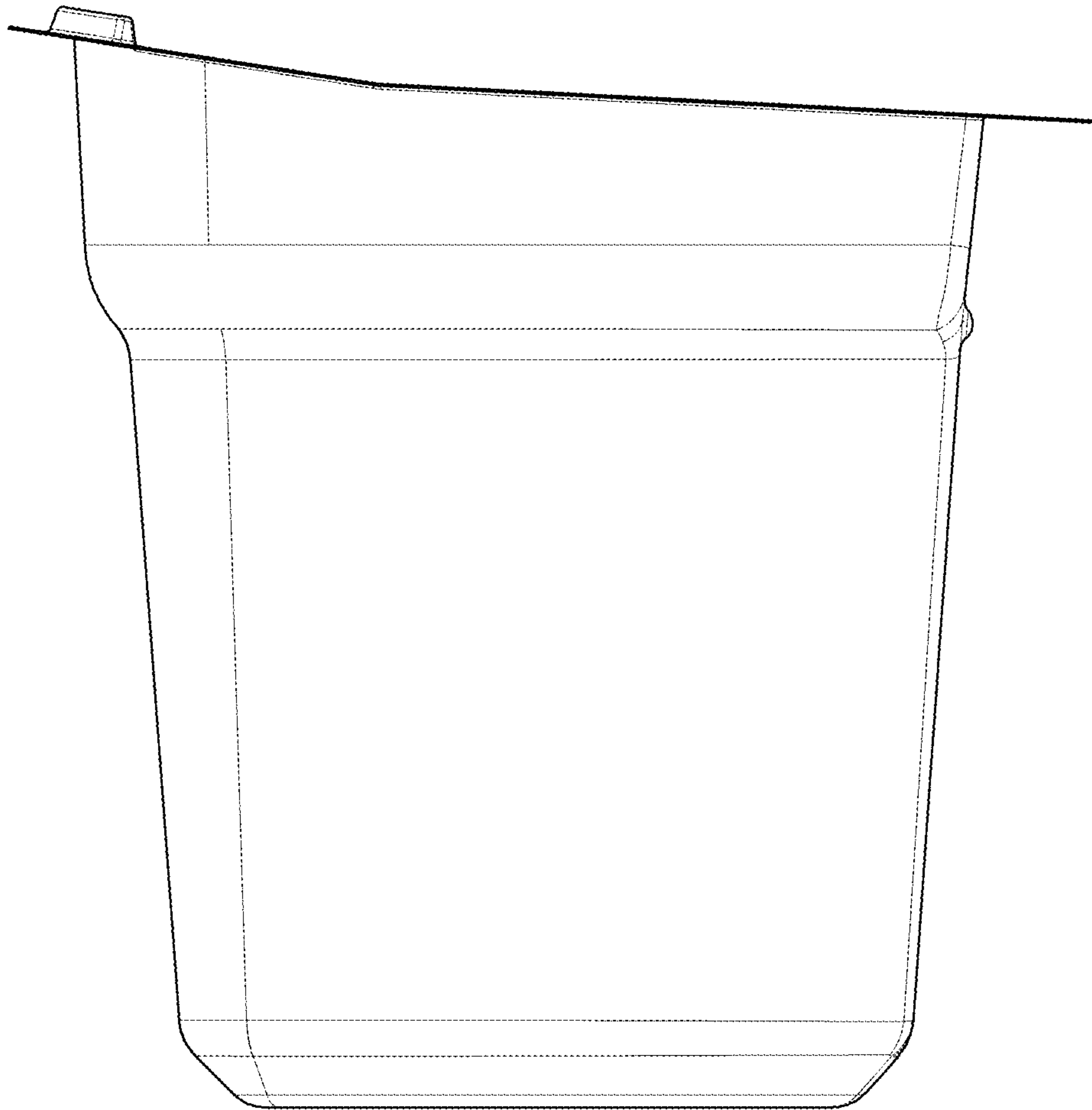


FIG. 13

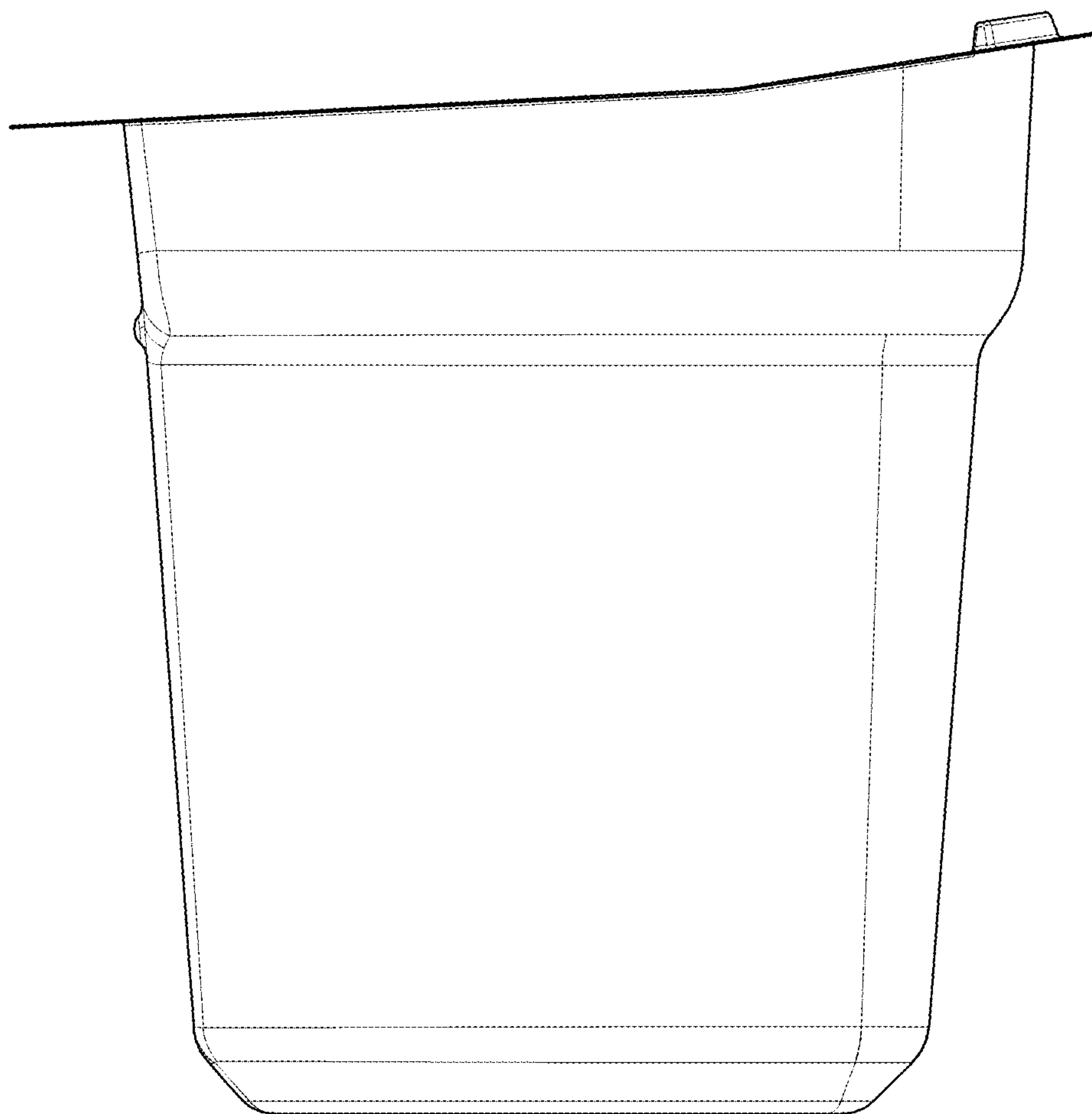


FIG. 14

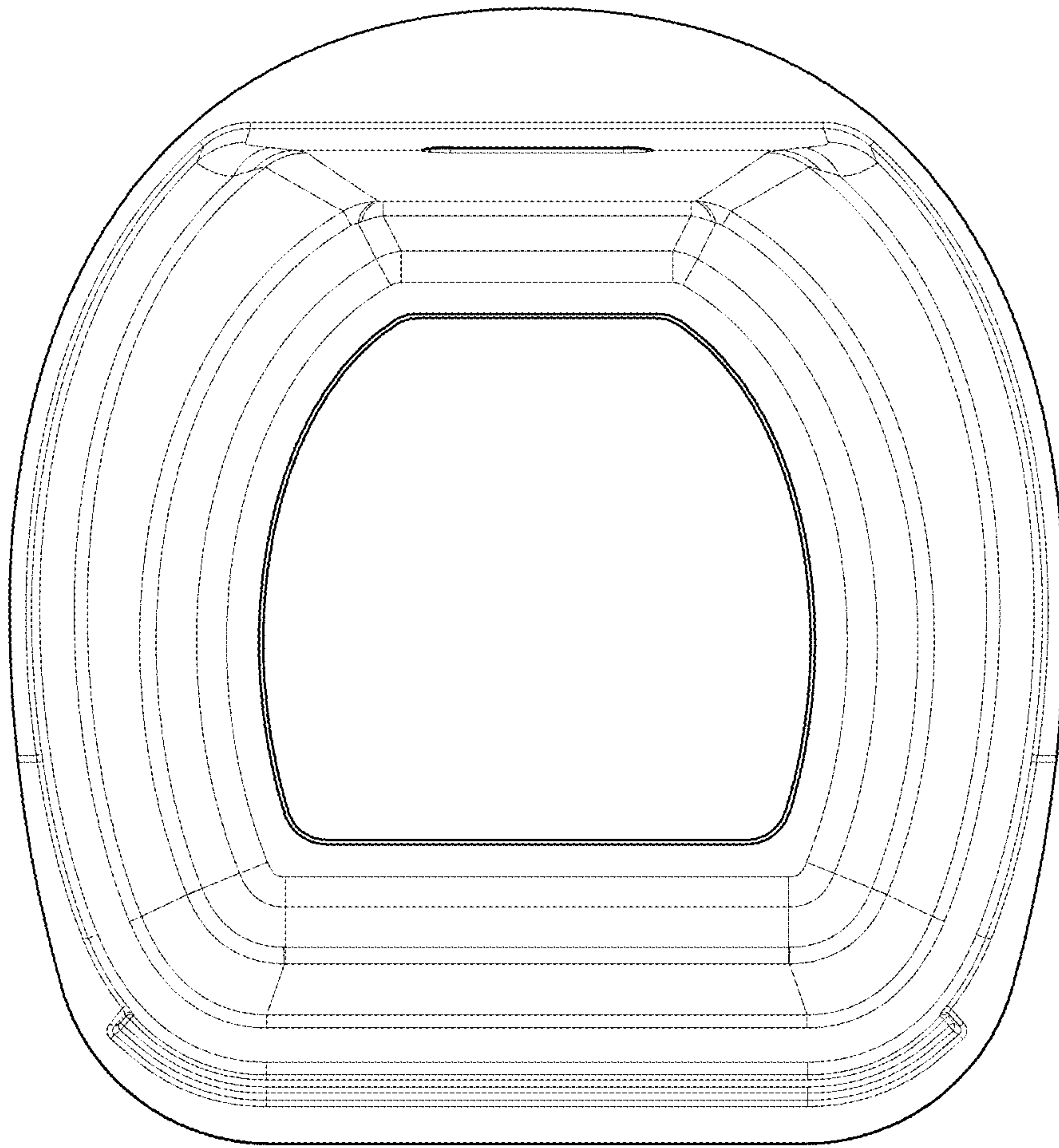


FIG. 15

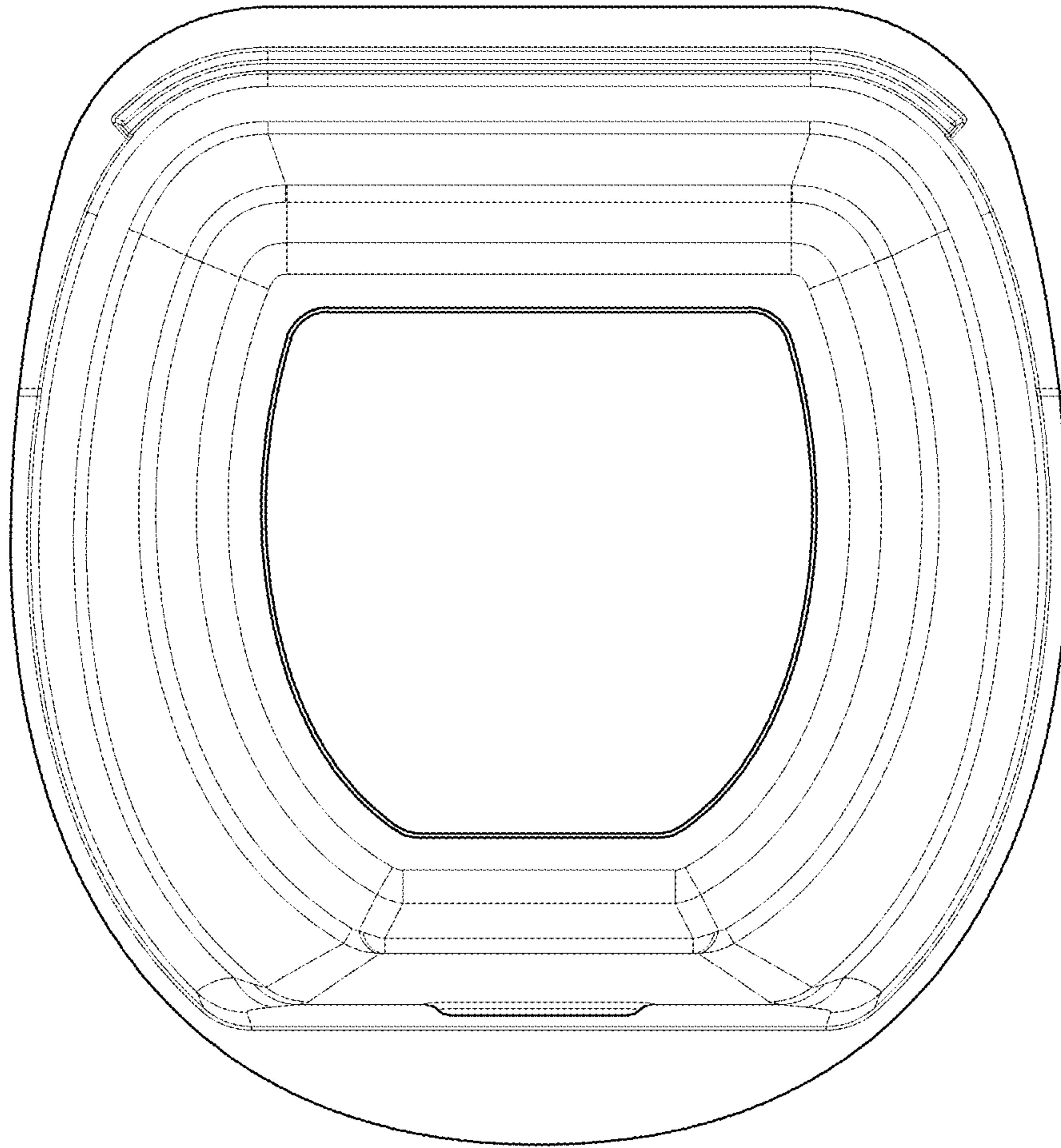


FIG. 16