



US00D756582S

(12) **United States Design Patent**
Libman et al.

(10) **Patent No.:** **US D756,582 S**
(45) **Date of Patent:** **** May 17, 2016**

(54) **MOP BUCKET**

(71) Applicant: **The Libman Company**, Arcola, IL (US)

(72) Inventors: **Andrew D. Libman**, Champaign, IL (US); **Aaron Libman**, Champaign, IL (US); **Jon Franklin**, St. Joseph, IL (US); **Fernando de Jesus Santos**, Maceira Lra (PT)

(73) Assignee: **The Libman Company**, Arcola, IL (US)

(**) Term: **14 Years**

(21) Appl. No.: **29/508,818**

(22) Filed: **Nov. 11, 2014**

(51) **LOC (10) Cl.** **07-07**

(52) **U.S. Cl.**
USPC **D32/53**

(58) **Field of Classification Search**
USPC D32/53, 53.1, 54; 220/694-698, 735, 220/736, 904; 15/260-264, 119.1, 120.1
CPC B44D 3/128; B44D 3/12; B44D 3/126; A47L 13/58; B65D 35/22; B65D 25/14
See application file for complete search history.

(56) **References Cited**

U.S. PATENT DOCUMENTS

456,666 A	7/1891	White
1,486,284 A	3/1924	Eiffe
2,290,217 A	7/1942	Trindl et al.
D136,896 S	12/1943	Woodward
3,747,154 A	7/1973	O'Neil
D255,976 S	7/1980	Maza et al.
D270,961 S	10/1983	Hawkins et al.
4,716,619 A	1/1988	Young
D305,170 S	12/1989	Jaros et al.
D320,295 S	9/1991	Delmerico
5,070,574 A	12/1991	Delmerico et al.
D338,299 S	8/1993	Delmerico et al.
D344,379 S	2/1994	Clark, Jr.

D345,236 S	3/1994	Chen
5,333,353 A	8/1994	Taylor
D355,287 S	2/1995	Camp, Jr.
5,414,892 A	5/1995	Clark, Jr.
5,440,778 A	8/1995	De Guzman
D362,941 S	10/1995	Delmerico et al.
5,548,865 A	8/1996	Pagani
D374,321 S	10/1996	Mandell et al.
5,615,447 A	4/1997	Hardesty et al.
D395,530 S	6/1998	Mandell et al.
D395,531 S	6/1998	Mandell et al.
5,918,343 A	7/1999	Young

(Continued)

OTHER PUBLICATIONS

“26 qt. Green Mop Bucket/Wringer Combo”, <http://www.homedepot.com/p/Carlisle-26-qt-Green-Mop-Bucket-Wringer-Combo-3690809/203903789>[Nov. 10, 2014 3:21:16 PM], retrieved from internet Nov. 10, 2014, published date unknown, but prior to the filing date of the present application.

(Continued)

Primary Examiner — Robin V Webster

(74) *Attorney, Agent, or Firm* — Banner & Witcoff, Ltd.

(57) **CLAIM**

The ornamental design for a mop bucket, as shown and described.

DESCRIPTION

FIG. 1 is a top, front, left perspective view of a mop bucket showing our new design;

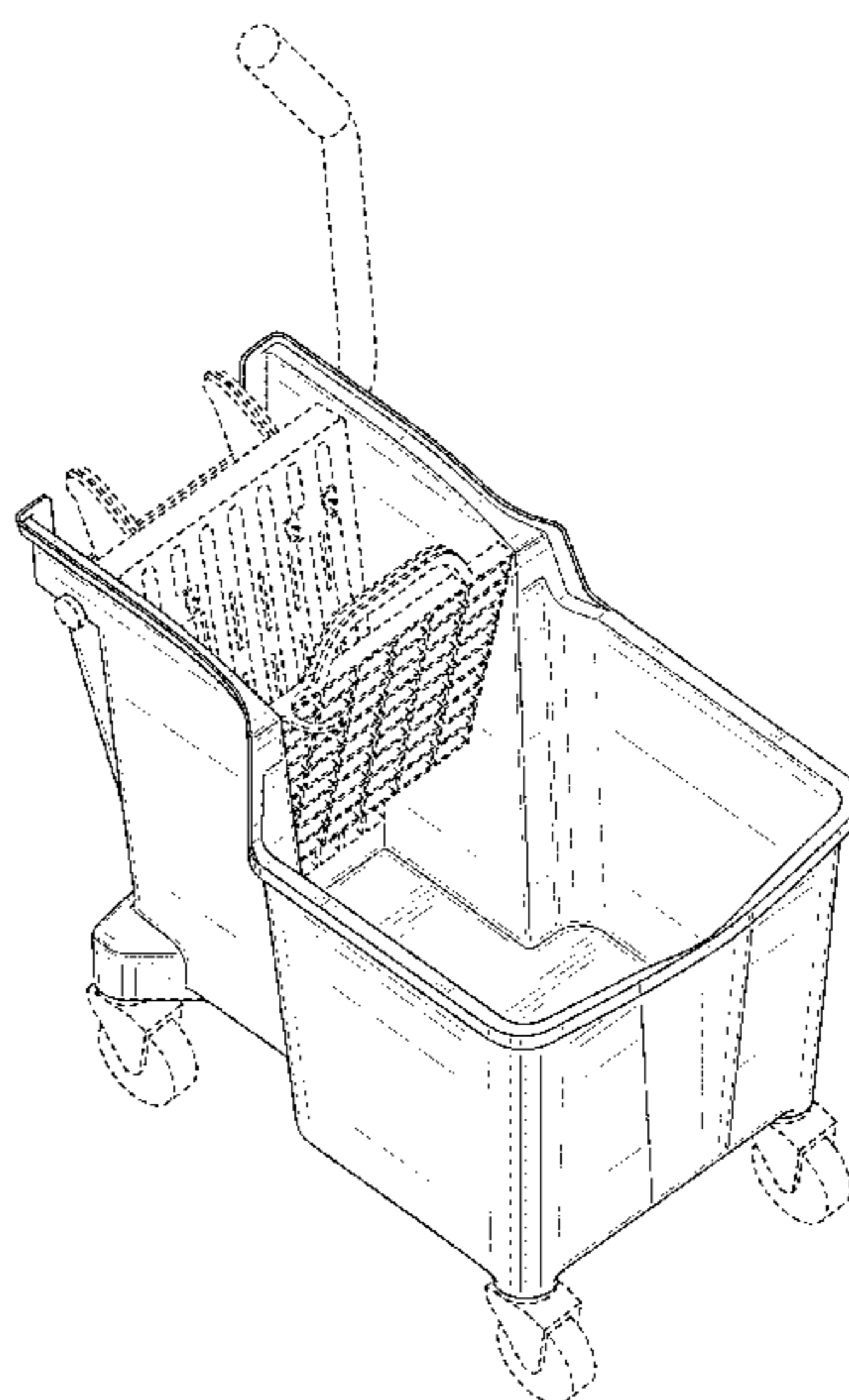
FIG. 2 is a front view thereof;

FIG. 3 is a right side view thereof; and,

FIG. 4 is a left side view thereof.

The broken lines immediately adjacent to the shaded area represent unclaimed boundaries of the design. The broken lines showing the remainder of the mop bucket are for environmental purposes only and form no part of the claimed design.

1 Claim, 4 Drawing Sheets



(56)

References Cited

U.S. PATENT DOCUMENTS

D417,051 S 11/1999 Dickinson et al.
 5,974,621 A 11/1999 Wilen
 5,983,441 A 11/1999 Williams et al.
 6,006,397 A 12/1999 Williams et al.
 RE36,599 E 3/2000 De Guzman
 6,055,698 A 5/2000 De Guzman
 D426,361 S 6/2000 Young
 D429,396 S 8/2000 Houry et al.
 D429,862 S 8/2000 Houry et al.
 6,128,803 A 10/2000 Dickinson et al.
 6,279,195 B1 8/2001 Biggs
 6,389,638 B1 5/2002 Dickinson et al.
 D462,491 S 9/2002 Hauenstein
 D477,702 S 7/2003 Kohn
 6,671,923 B2 1/2004 Gromnicki
 D489,852 S 5/2004 Perelli
 D495,448 S 8/2004 Moforis
 6,779,225 B1 8/2004 Bellarosa, III
 D499,223 S 11/2004 Libman et al.
 D515,263 S 2/2006 Libman et al.
 D516,763 S 3/2006 Escarpa
 D525,404 S 7/2006 Petner et al.
 D527,506 S 8/2006 Camp, Jr. et al.
 D530,870 S 10/2006 Lauer
 D531,368 S 10/2006 Lauer
 D531,772 S 11/2006 Lauer
 D533,977 S 12/2006 Bensussan et al.
 D536,851 S 2/2007 Lauer
 D544,669 S 6/2007 Casteel et al.
 D546,514 S 7/2007 Byrne
 D550,418 S 9/2007 Weaver et al.
 D557,472 S 12/2007 Renner
 D557,991 S 12/2007 Hong
 D570,961 S 6/2008 Grether
 D578,263 S 10/2008 Pho
 D581,119 S 11/2008 Bergman
 D582,117 S 12/2008 Chafe et al.
 7,571,831 B2 8/2009 Lauer et al.

D611,215 S 3/2010 Miller et al.
 D616,168 S 5/2010 Libman et al.
 D618,413 S 6/2010 Berti
 D619,318 S 7/2010 Miller et al.
 D620,660 S 7/2010 Tsai
 7,761,953 B2 7/2010 Dalton
 D633,675 S 3/2011 Libman et al.
 D641,116 S 7/2011 Jones et al.
 D643,982 S 8/2011 Franklin
 8,082,620 B2 12/2011 Hoyle et al.
 8,381,351 B2 2/2013 Miller et al.
 8,615,842 B2 12/2013 Treacy
 8,621,706 B2 1/2014 Salmon
 8,627,541 B2 1/2014 Bensussan
 8,689,391 B2 4/2014 Eisenhut et al.
 8,770,432 B2 7/2014 Rueckheim et al.
 8,813,304 B2 8/2014 Young et al.
 2006/0070202 A1 4/2006 Lauer et al.
 2006/0277709 A1 12/2006 Young
 2007/0061995 A1 3/2007 Gaines et al.
 2007/0266518 A1 11/2007 Hoyle et al.
 2008/0006640 A1 1/2008 Natale
 2008/0289663 A1 11/2008 Young
 2010/0050363 A1 3/2010 Young
 2010/0170056 A1 7/2010 Miller et al.
 2011/0056043 A1 3/2011 Eisenhut et al.
 2011/0126374 A1 6/2011 Young
 2011/0197388 A1 8/2011 Young et al.
 2011/0203071 A1 8/2011 Salmon
 2011/0203613 A1 8/2011 Roberts
 2012/0096668 A1 4/2012 Treacy
 2012/0096669 A1 4/2012 Treacy
 2013/0047360 A1 2/2013 Young et al.
 2014/0263105 A1 9/2014 Kontorovich et al.

OTHER PUBLICATIONS

“Impact 26-35 Qt. Gray Sidepress Combo Bucket”, http://www.wasserstrom.com/restaurant-supplies-equipment/Product_661212#close[Nov. 10, 2014 3:25:47 PM], retrieved from internet Nov. 10, 2014, published date unknown, but prior to the filing date of the present application.

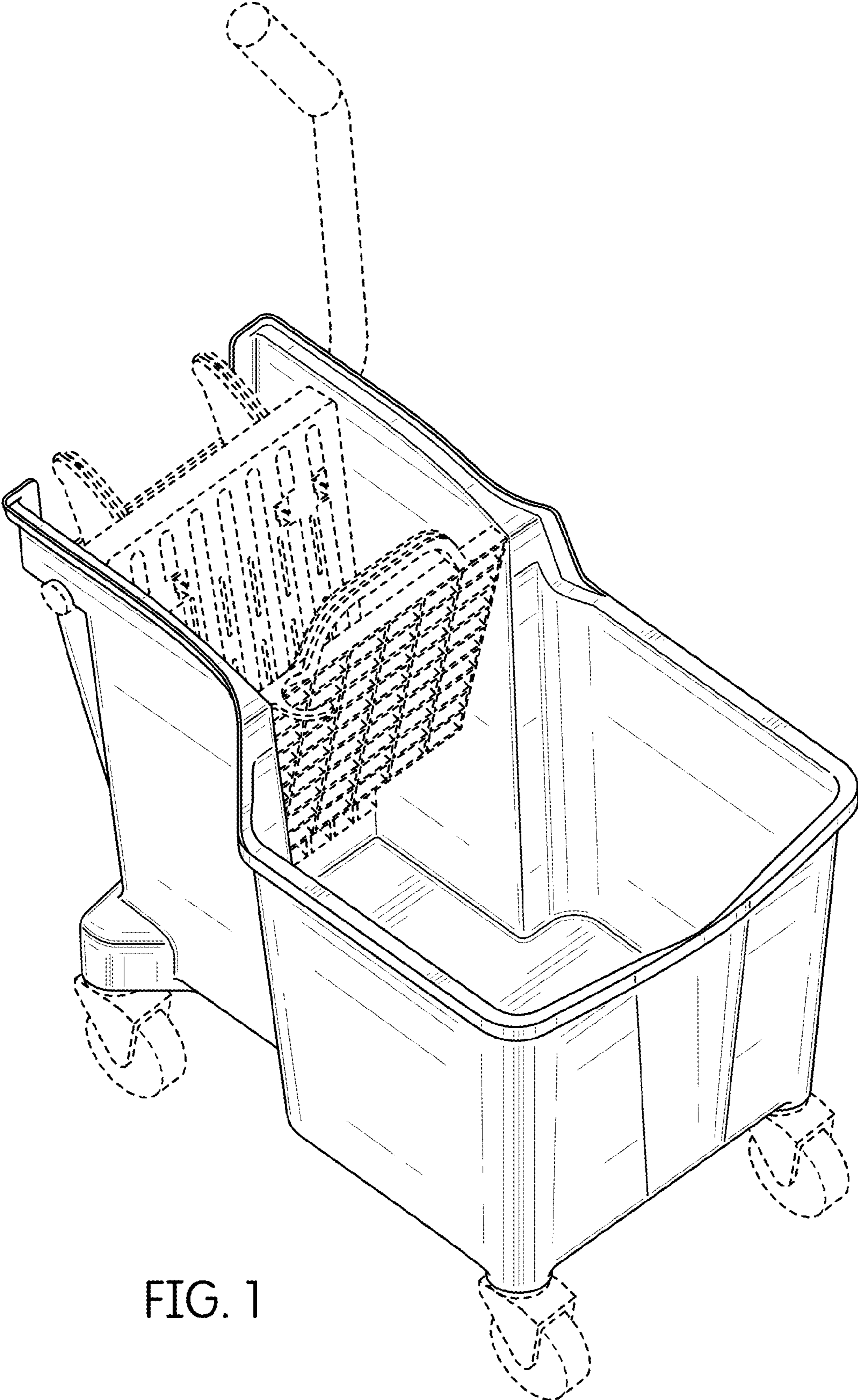


FIG. 1

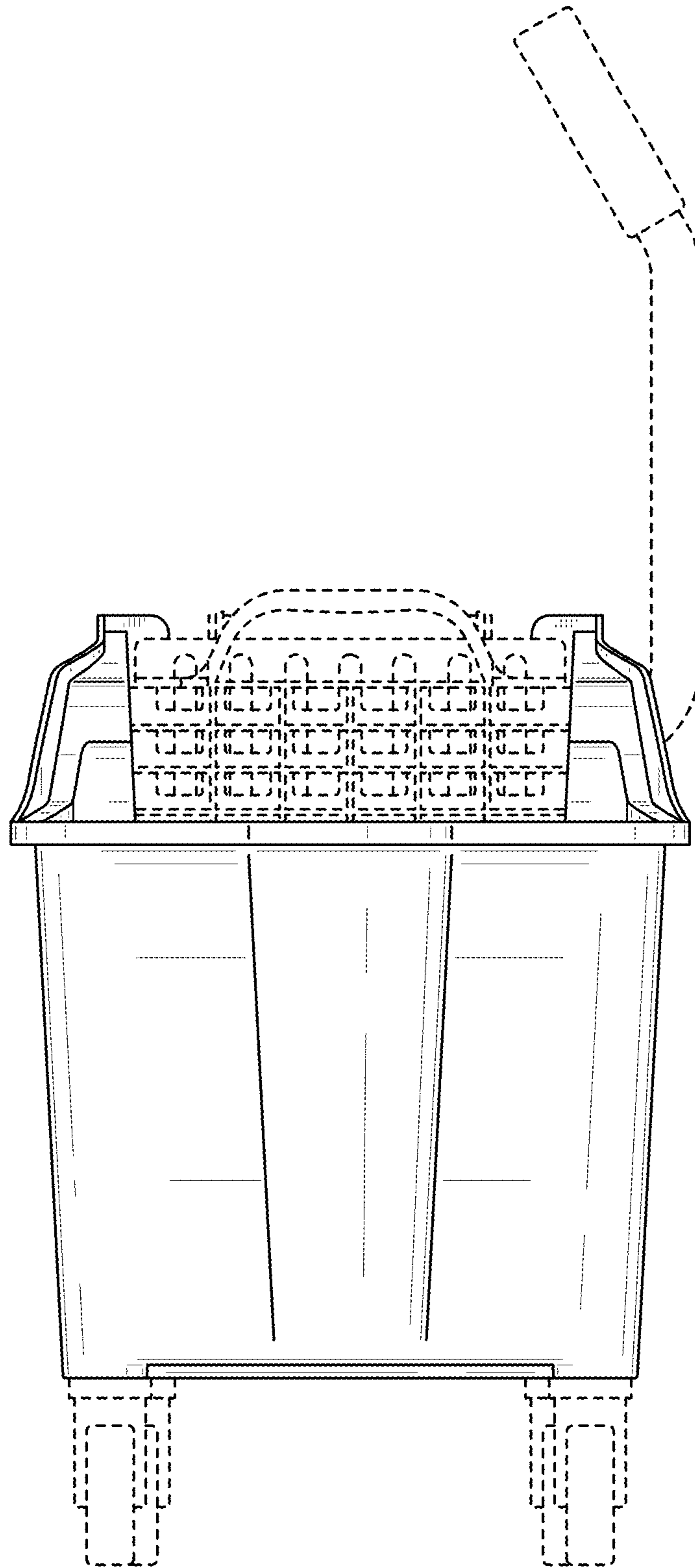


FIG. 2

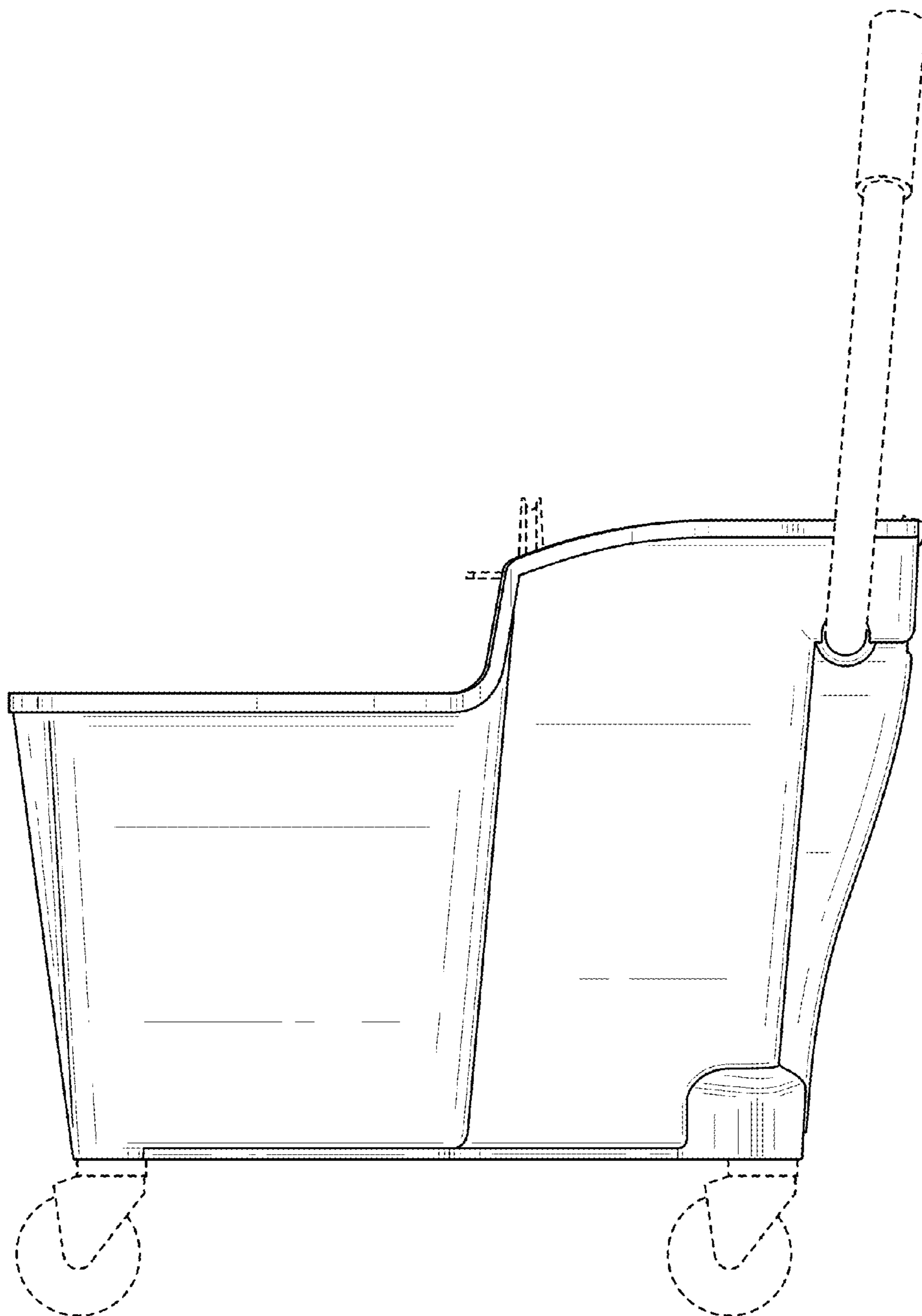


FIG. 3

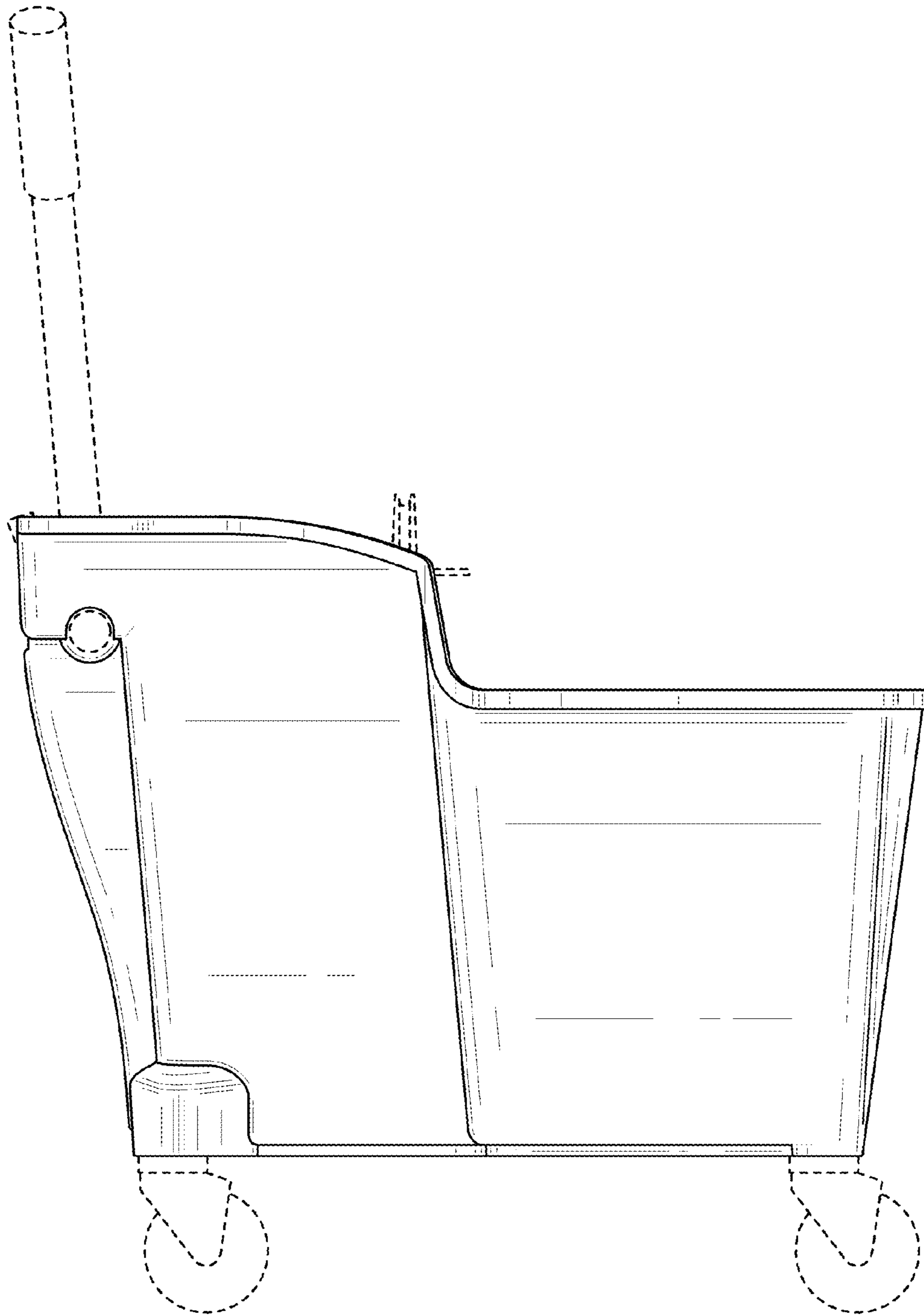


FIG. 4