



US00D756579S

(12) **United States Design Patent**
Johnson

(10) **Patent No.:** **US D756,579 S**
(45) **Date of Patent:** **** May 17, 2016**

(54) **VACUUM CLEANER TANK PORTION**

(71) Applicant: **BISSELL Homecare, Inc.**, Grand Rapids, MI (US)

(72) Inventor: **Drew A. Johnson**, Coopersville, MI (US)

(73) Assignee: **BISSELL Homecare, Inc.**, Grand Rapids, MI (US)

(**) Term: **14 Years**

(21) Appl. No.: **29/491,704**

(22) Filed: **May 23, 2014**

(51) **LOC (10) Cl.** **15-05**

(52) **U.S. Cl.**
USPC **D32/31**

(58) **Field of Classification Search**
USPC D32/21-24, 31, 34
CPC A47L 5/362; A47L 5/365; A47L 5/28;
A47L 9/26; A47L 11/34; A47L 7/0038;
A47L 9/1666; A47L 9/1683; A47L 9/1427;
B65H 75/18

See application file for complete search history.

(56) **References Cited**

U.S. PATENT DOCUMENTS

D494,719	S	*	8/2004	Rosenzweig et al.	D32/31
D510,465	S	*	10/2005	Takahashi et al.	D32/22
D632,036	S	*	2/2011	McNeil et al.	D32/31
8,268,029	B2	*	9/2012	Yoo	55/337
D686,790	S	*	7/2013	Santiago et al.	D32/31
D687,196	S	*	7/2013	Raven et al.	D32/31

* cited by examiner

Primary Examiner — Ruth McInroy

(74) *Attorney, Agent, or Firm* — McGarry Bair PC

(57) **CLAIM**

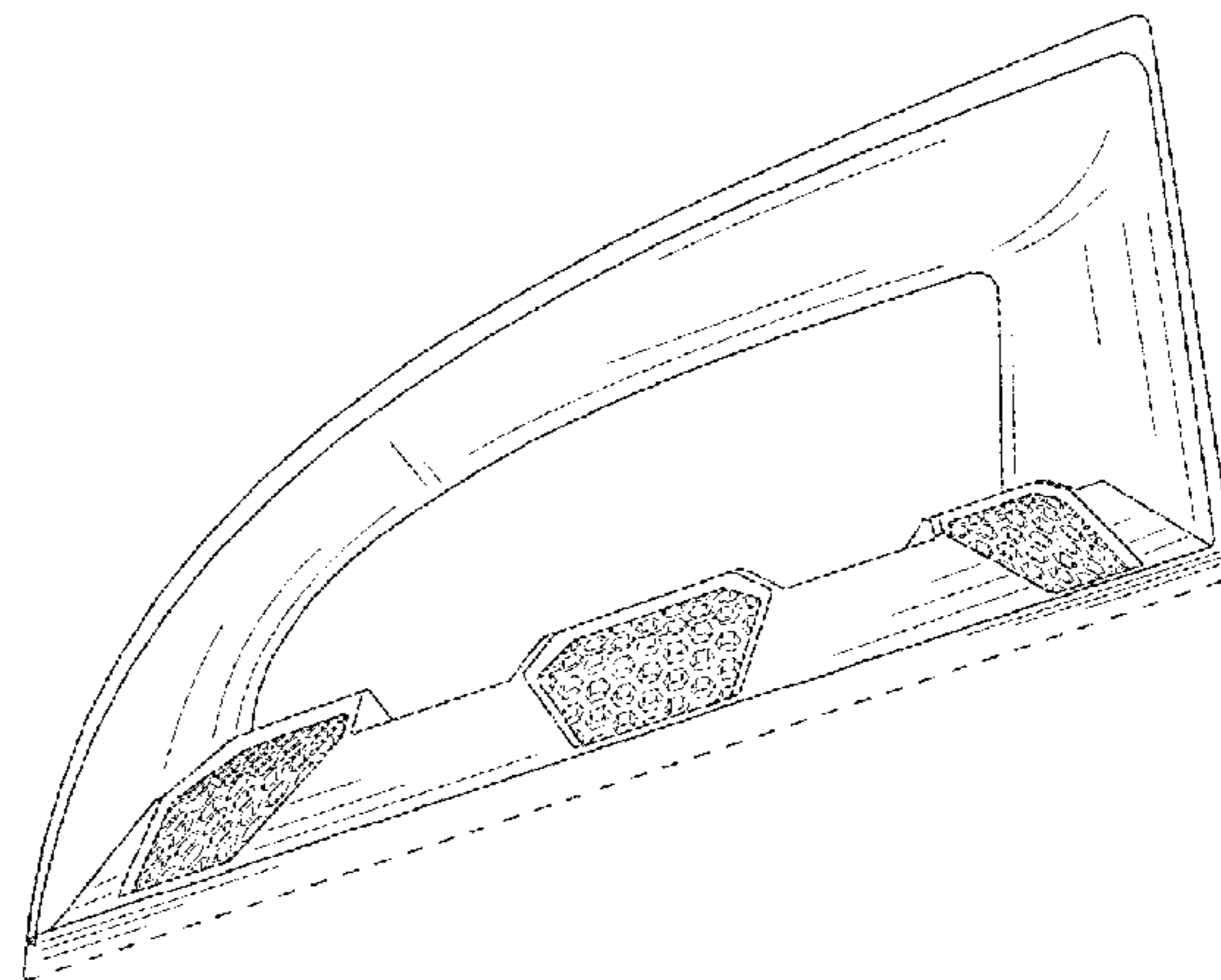
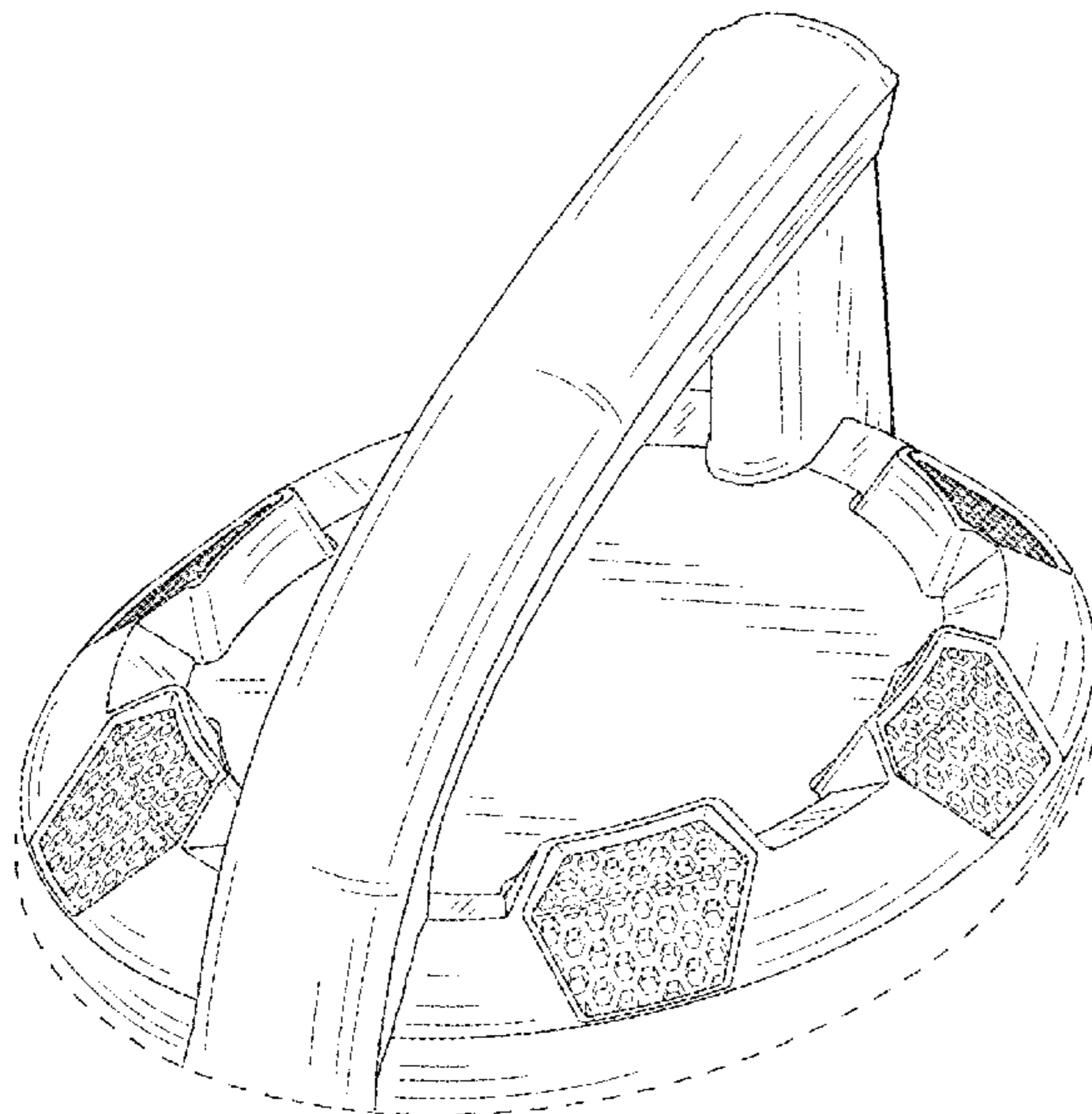
The ornamental design for a vacuum cleaner tank portion, as shown and described.

DESCRIPTION

FIG. 1 is a front, right perspective view of a vacuum cleaner tank portion showing my new design; FIG. 2 is a front view thereof; FIG. 3 is a rear view thereof; FIG. 4 is a left side view thereof; FIG. 5 is a right side view thereof; and, FIG. 6 is a top view thereof.

The broken lines shown in the drawings are included for illustrative purposes only and form no part of the claimed design.

1 Claim, 4 Drawing Sheets



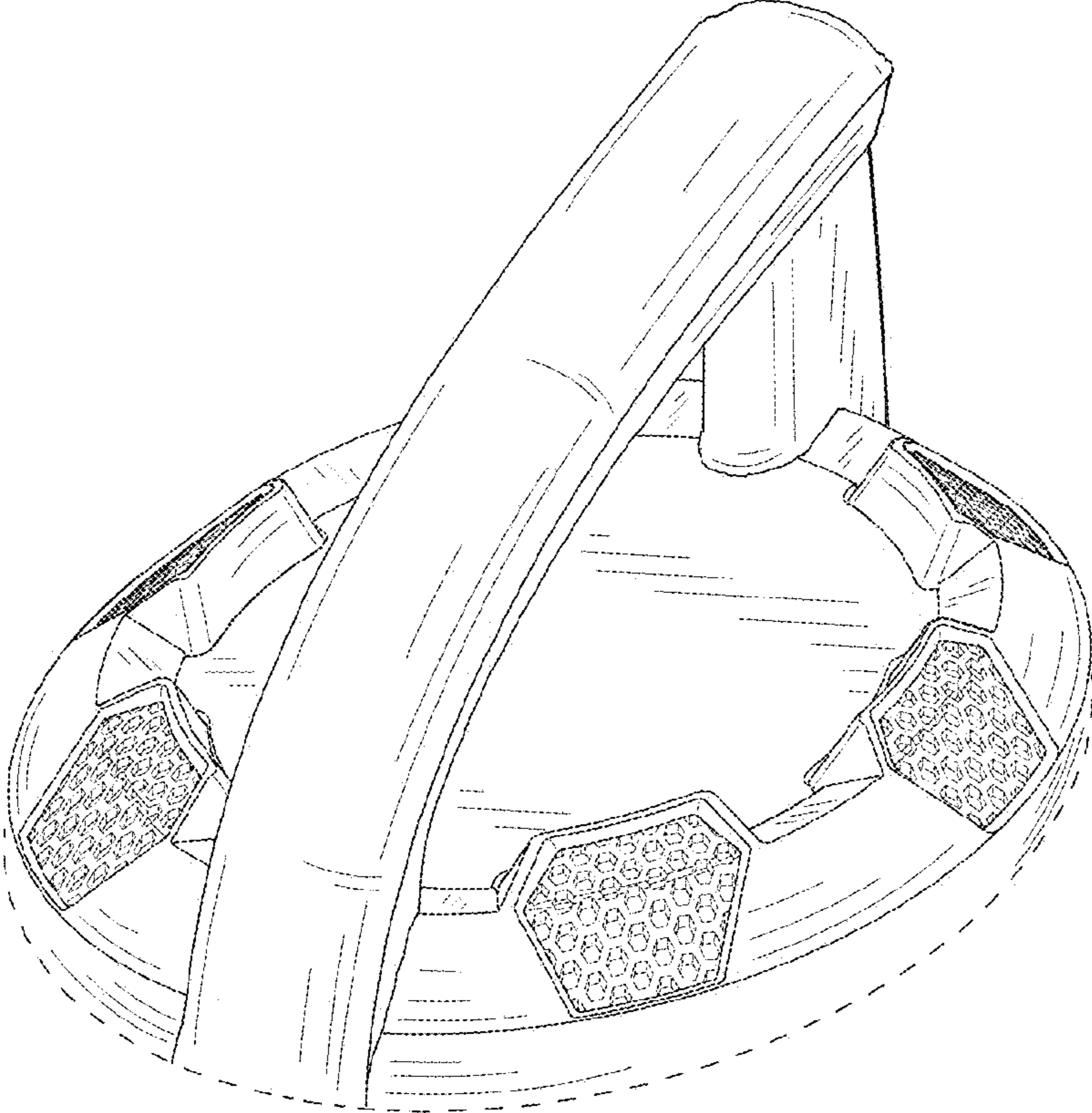


FIG. 1

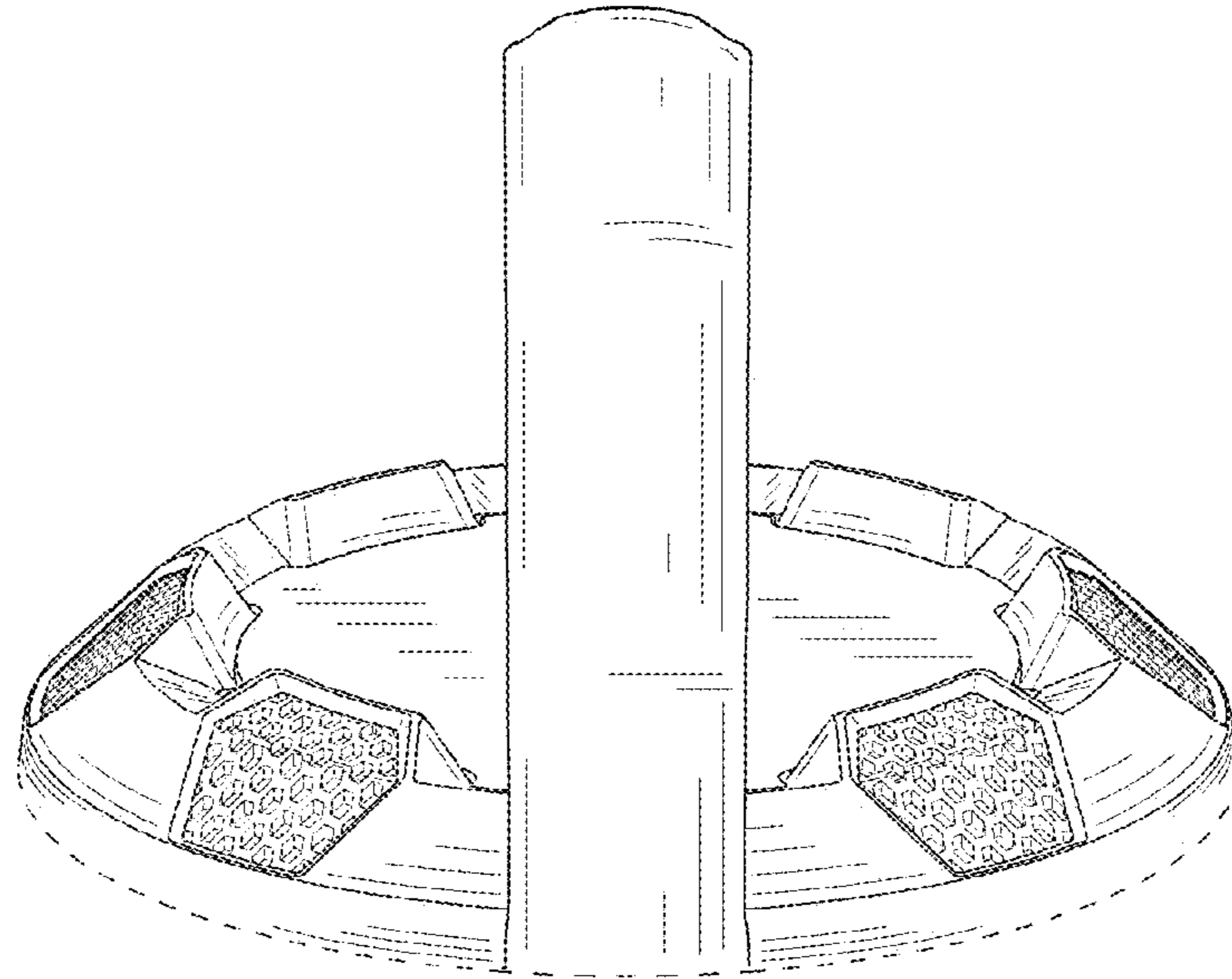


FIG. 2

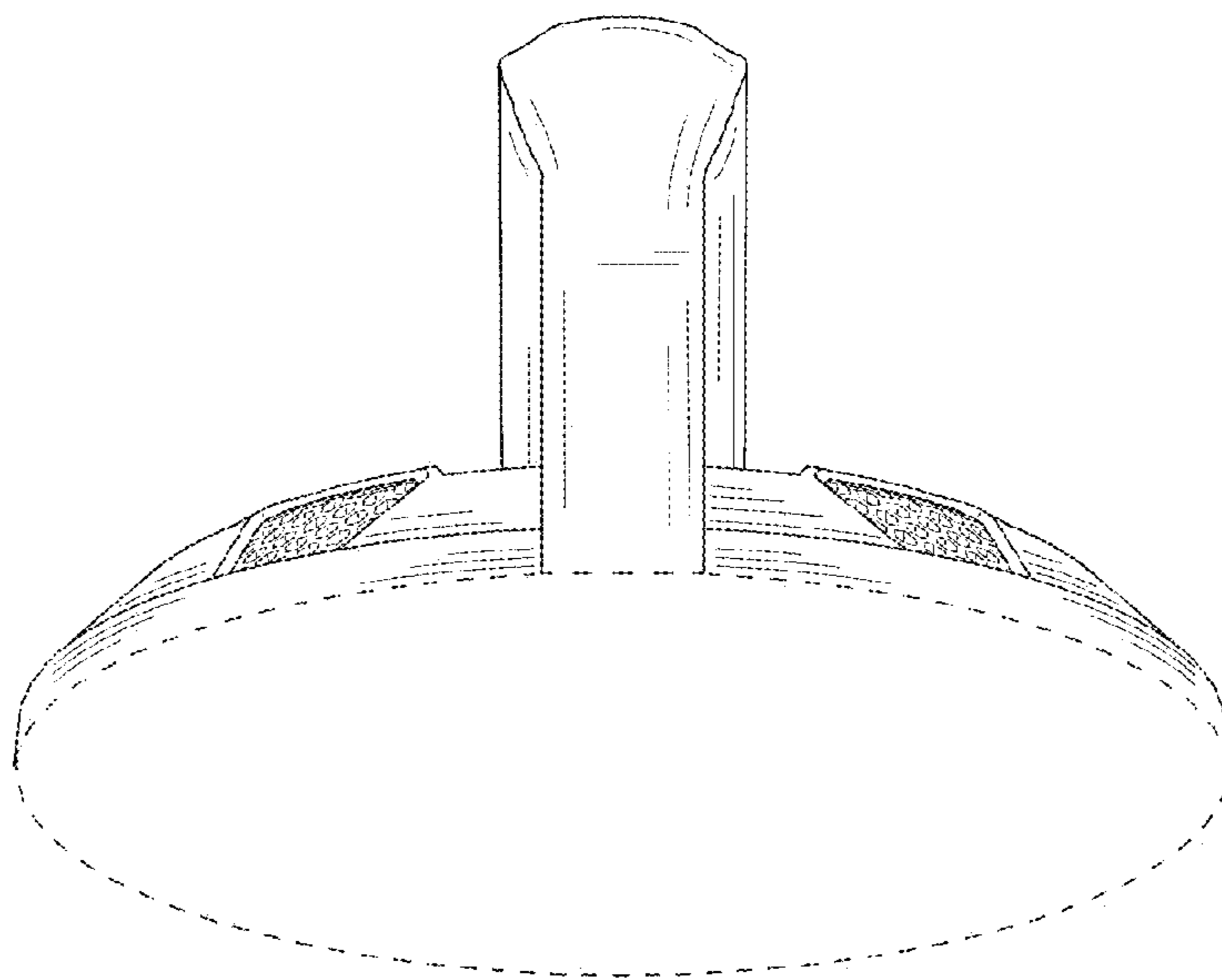


FIG. 3

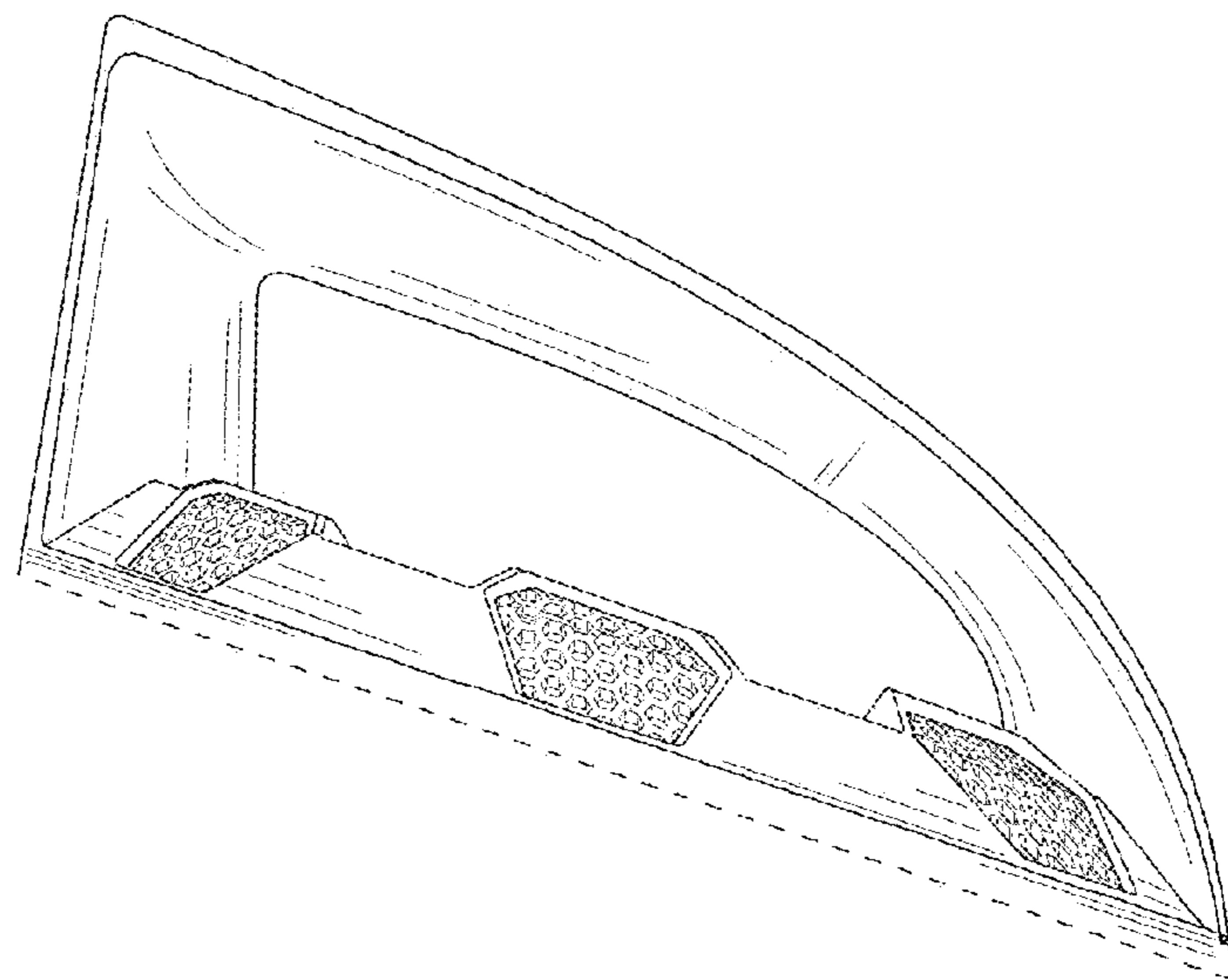


FIG. 4

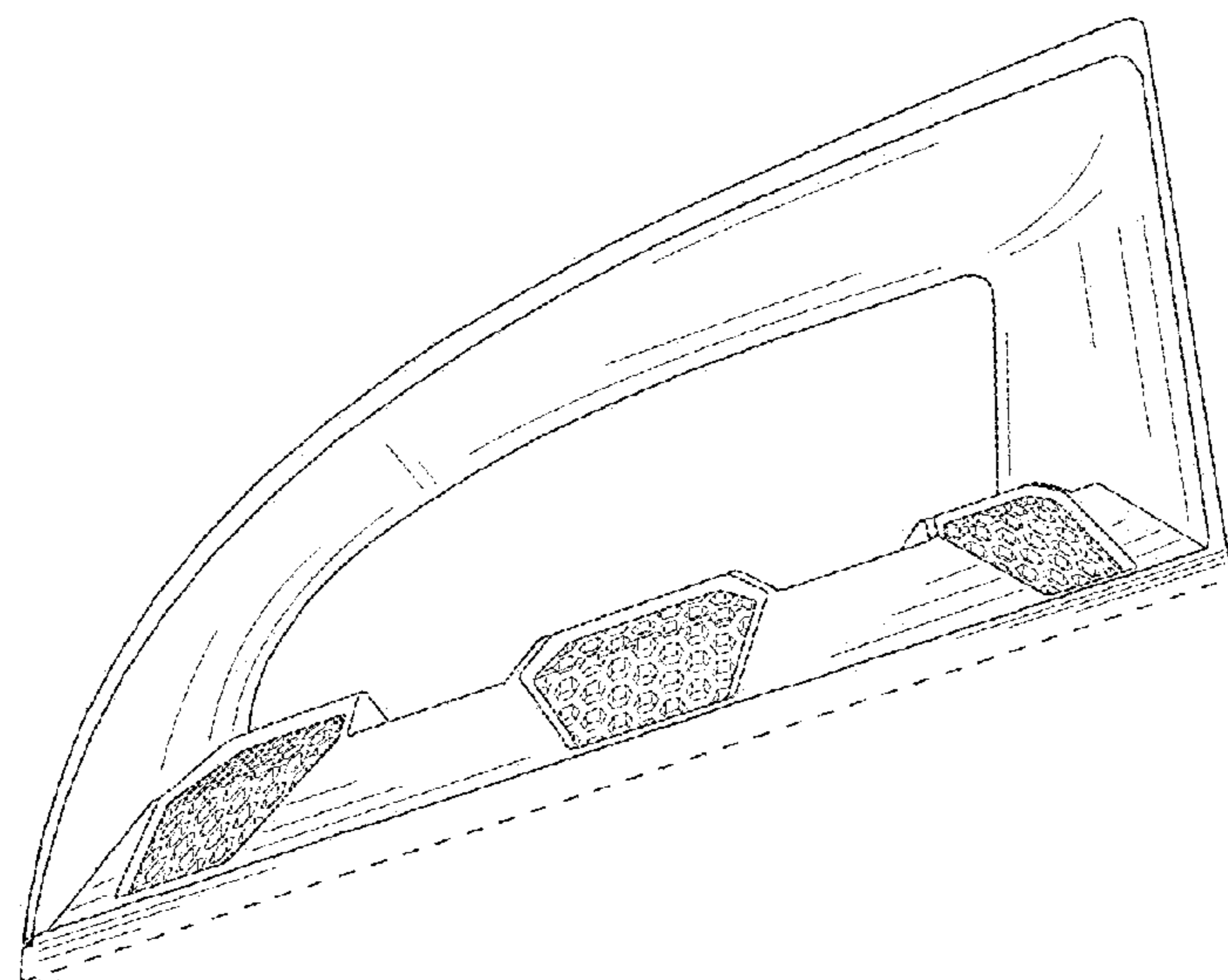


FIG. 5

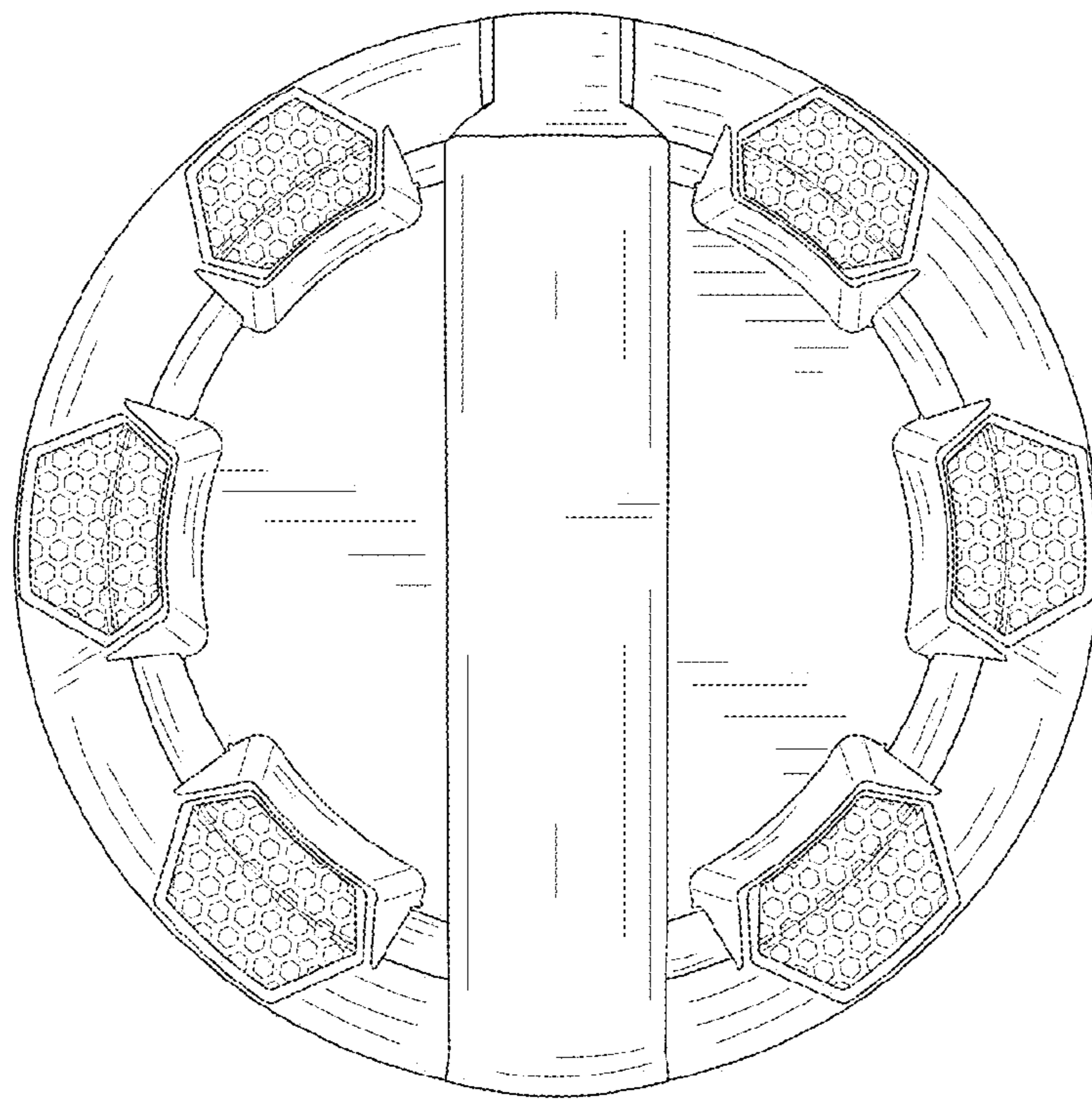


FIG. 6