



US00D756578S

(12) **United States Design Patent**  
**Chung et al.**

(10) **Patent No.:** **US D756,578 S**  
(45) **Date of Patent:** **\*\* May 17, 2016**

(54) **ELECTRIC WASHING MACHINE**

FOREIGN PATENT DOCUMENTS

(71) Applicant: **LG Electronics Inc.**, Seoul (KR)

CN	3001003617	*	9/2009
CN	301320155	*	8/2010
GB	3021207	*	7/2005
JP	D1418590	*	7/2011

(72) Inventors: **Wookjun Chung**, Seoul (KR); **Hoil Jeon**, Gyeonggi-do (KR); **Youjin Chung**, Gyeonggi-do (KR); **Yeji Um**, Seoul (KR); **Taewoo Yoo**, Seoul (KR)

OTHER PUBLICATIONS

Round Desk Grommets—Plastic—CableOrganizer.com, review date Jul. 22, 2011, online, <http://www.cableorganizer.com/desk-grommet/round-desk-grommets.htm#>, [site visited Mar. 25, 2015 4:18:28 PM].\*

(73) Assignee: **LG Electronics Inc.**, Seoul (KR)

(Continued)

(\*\*) Term: **14 Years**

*Primary Examiner* — John Windmuller  
*Assistant Examiner* — John R Yeh

(21) Appl. No.: **29/468,237**

(74) *Attorney, Agent, or Firm* — Morgan, Lewis & Bockius LLP

(22) Filed: **Sep. 27, 2013**

(30) **Foreign Application Priority Data**

Mar. 29, 2013 (KR) ..... 30-2013-0016275

(51) **LOC (10) Cl.** ..... **15-05**

(52) **U.S. Cl.**  
USPC ..... **D32/25**

(58) **Field of Classification Search**  
USPC ..... D32/1, 6, 25, 28, 35; 63/15, 15.1, 32, 63/34, 12; 427/404–405; D11/1, 17, 3, 2; D10/30–33; 277/500  
CPC ..... A44C 17/0233  
See application file for complete search history.

(57) **CLAIM**

The ornamental design for an electric washing machine, as shown and described.

**DESCRIPTION**

FIG. 1 is a perspective view of the electric washing machine showing our new design;  
FIG. 2 is a front view thereof;  
FIG. 3 is a rear view thereof;  
FIG. 4 is a left side view thereof where the right side view is a mirror image;  
FIG. 5 is a top plan view thereof;  
FIG. 6 is a bottom plan view thereof;  
FIG. 7 is an in-part enlarged view of FIG. 1;  
FIG. 8 is an in-part enlarged view of FIG. 2;  
FIG. 9 is an in-part enlarged view of FIG. 4; and,  
FIG. 10 is an in-part enlarged view of FIG. 5.

(56) **References Cited**

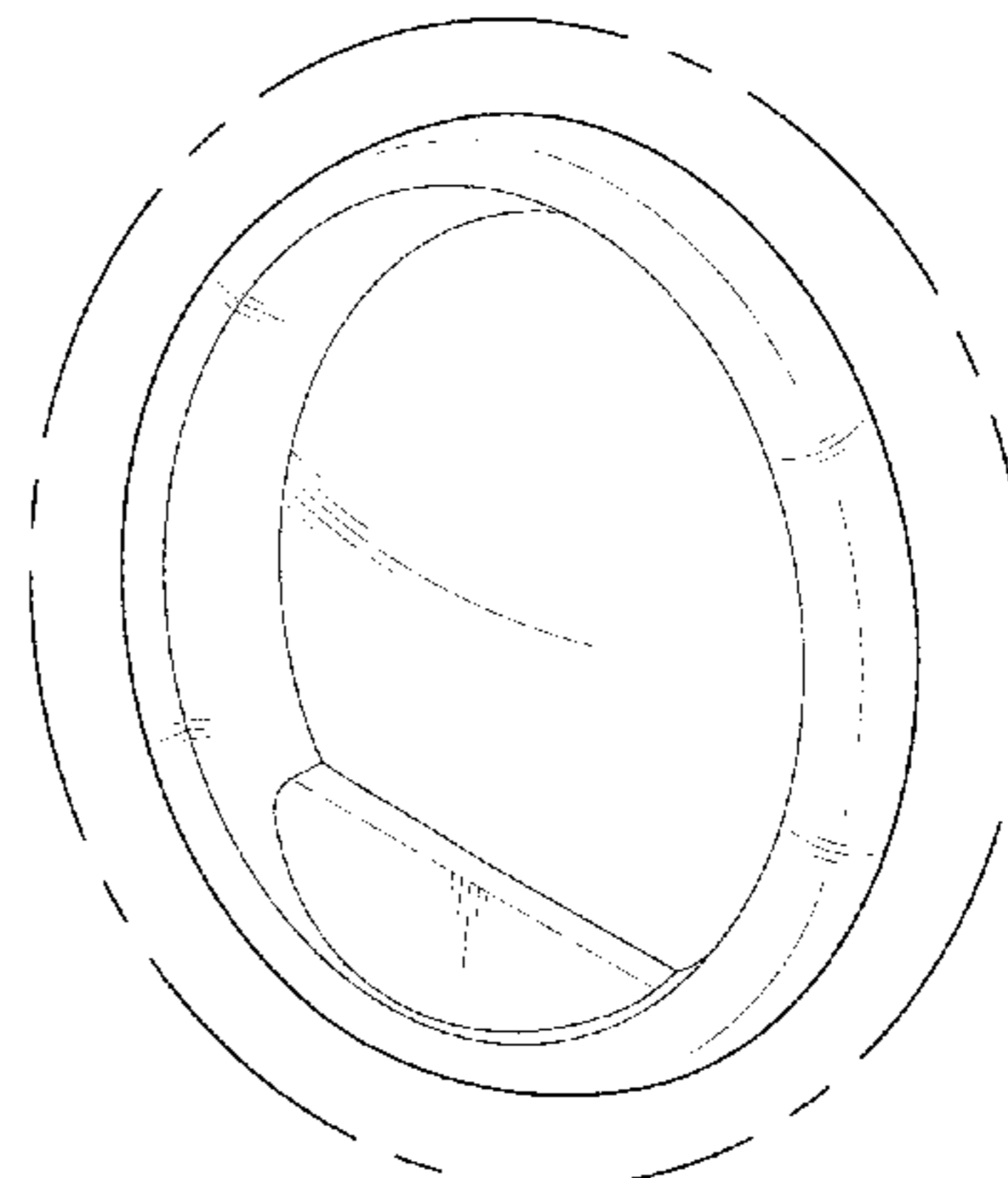
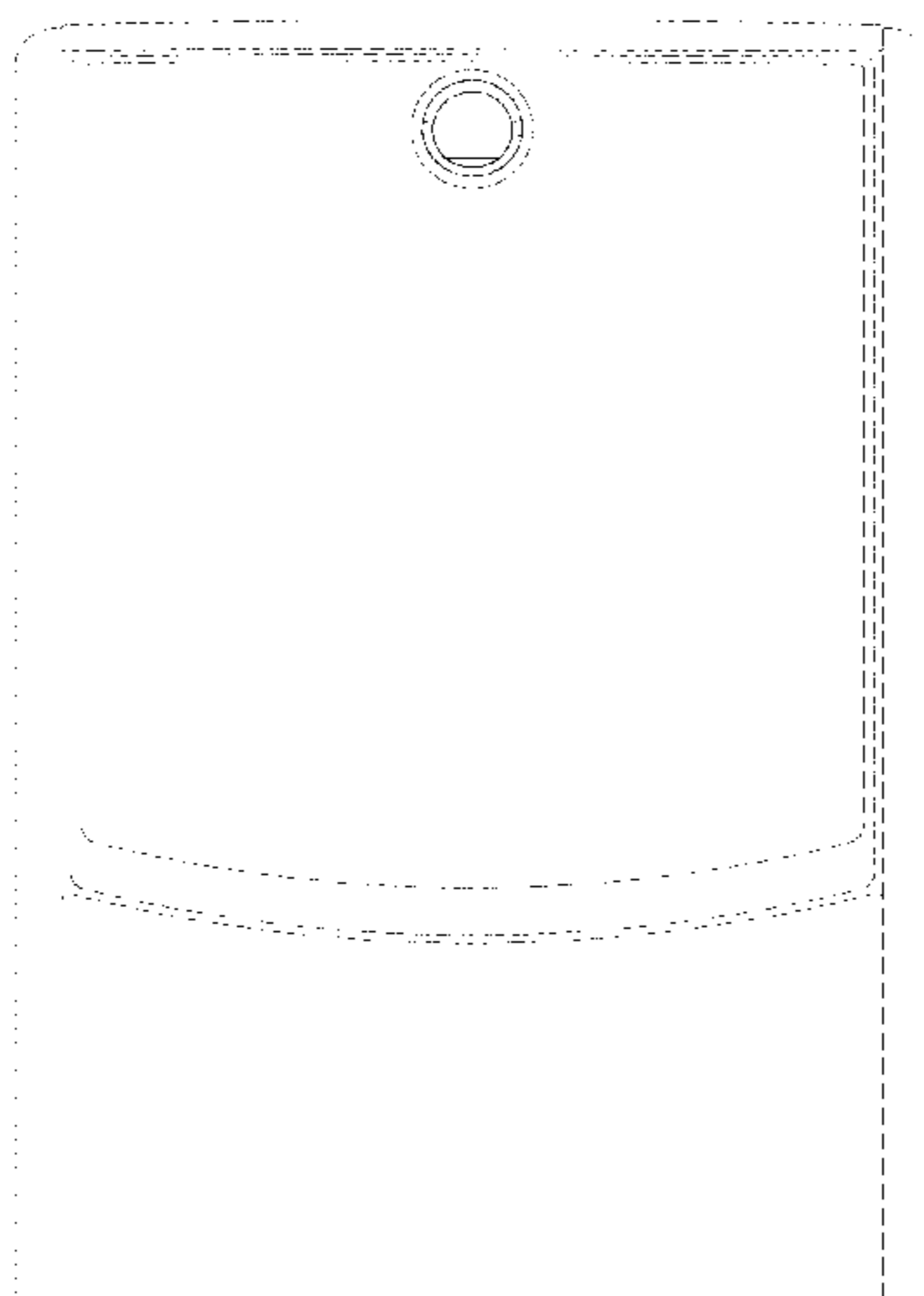
U.S. PATENT DOCUMENTS

D101,166 S \* 9/1936 Forsberg ..... D9/454  
3,920,254 A \* 11/1975 Johnston et al. .... 277/462  
D255,530 S \* 6/1980 Daenen et al. .... D10/46.3

The broken lines are for illustrative purposes only and form no part of the claimed design.  
The dash-dot broken lines define the bounds of the claimed design and form no part thereof.

(Continued)

**1 Claim, 10 Drawing Sheets**



(56)

References Cited

U.S. PATENT DOCUMENTS

D260,735	S *	9/1981	Heath	.....	D9/447
D302,390	S *	7/1989	Banasiak	.....	D9/450
D328,864	S *	8/1992	Grunzweig	.....	D9/447
5,211,032	A *	5/1993	Cheng	.....	63/12
6,431,390	B1 *	8/2002	Waller	.....	220/713
D525,753	S *	7/2006	Schoene	.....	D32/25
D528,713	S *	9/2006	Ha et al.	.....	D32/6
D537,675	S *	3/2007	Khalifa	.....	D7/392.1
D552,807	S *	10/2007	Jeon et al.	.....	D32/6
7,313,933	B2 *	1/2008	Carey et al.	.....	68/3 R
7,347,066	B1 *	3/2008	Feuer	.....	63/12
D631,622	S *	1/2011	Chung et al.	.....	D32/6
D698,508	S *	1/2014	Cho et al.	.....	D32/25
2003/0041621	A1 *	3/2003	Kronvold	.....	63/12
2004/0226320	A1 *	11/2004	Bongini	.....	68/3 R
2005/0084226	A1 *	4/2005	Mockett	.....	385/136
2006/0090511	A1 *	5/2006	Boone	.....	63/15.1
2006/0156760	A1 *	7/2006	Shin et al.	.....	63/12
2008/0142504	A1 *	6/2008	Byrne	.....	219/452.11

OTHER PUBLICATIONS

Forum Wearable Android Tech Android Wear Moto 360, post date Sep. 17, 2014, online, <http://forums.androidcentral.com/moto-360/>

438435-moto-360-alternate-non-flat-tyre-design.html, [site visited Mar. 25, 2015 4:00:21 PM].\*

Reviews of John Lewis Washing Machine Filter Seal | eSpares, oldest review Mar. 20, 2010, online, <http://www.espaes.co.uk/reviews/es543619?ApplianceTypeId=1085>

&ManufacturerId=1650#page=3, [site visited Mar. 25, 2015 7:09:01 PM].\*

Appliance Parts Liquidator—Washer Bellows Door Seal w/ Drain—12002533, website copyright 2012-2015, online, <http://www.appliance-parts-liquidator.com/online-repair/1830-Washer-Bellows-Door-Seal-w-Drain-12002533/?amazon=amazonpads&on-amazon=on-amazon&www.amazon.com=www.amazon.com>

&cpc=cpc, [site visited Mar. 25, 2015 6:41:13 PM].\*

Appliances Parts & Accessories Dishwasher Parts & Accessories, review date Jun. 5, 2011, online, [http://www.amazon.com/Whirlpool-12002022-Lip-Seal-Kit/dp/B00DM8L19G/ref=pd\\_sim\\_hi\\_3?ie=UTF8&refRID=0TQ7KXJ74QNXPTDZ6MDT](http://www.amazon.com/Whirlpool-12002022-Lip-Seal-Kit/dp/B00DM8L19G/ref=pd_sim_hi_3?ie=UTF8&refRID=0TQ7KXJ74QNXPTDZ6MDT), site visited [Mar. 19, 2015 9:49:28 PM].\*

Amazon.com: Maytag Neptune Washer Boot Drain 12002533, review date Mar. 23, 2011, online, [http://www.amazon.com/Maytag-Neptune-Washer-Drain-12002533/dp/B0025YF4ZU/ref=cm\\_cr\\_pr\\_product\\_top?ie=UTF8](http://www.amazon.com/Maytag-Neptune-Washer-Drain-12002533/dp/B0025YF4ZU/ref=cm_cr_pr_product_top?ie=UTF8), [site visited Mar. 19, 2015 9:47:41 PM].\*

\* cited by examiner

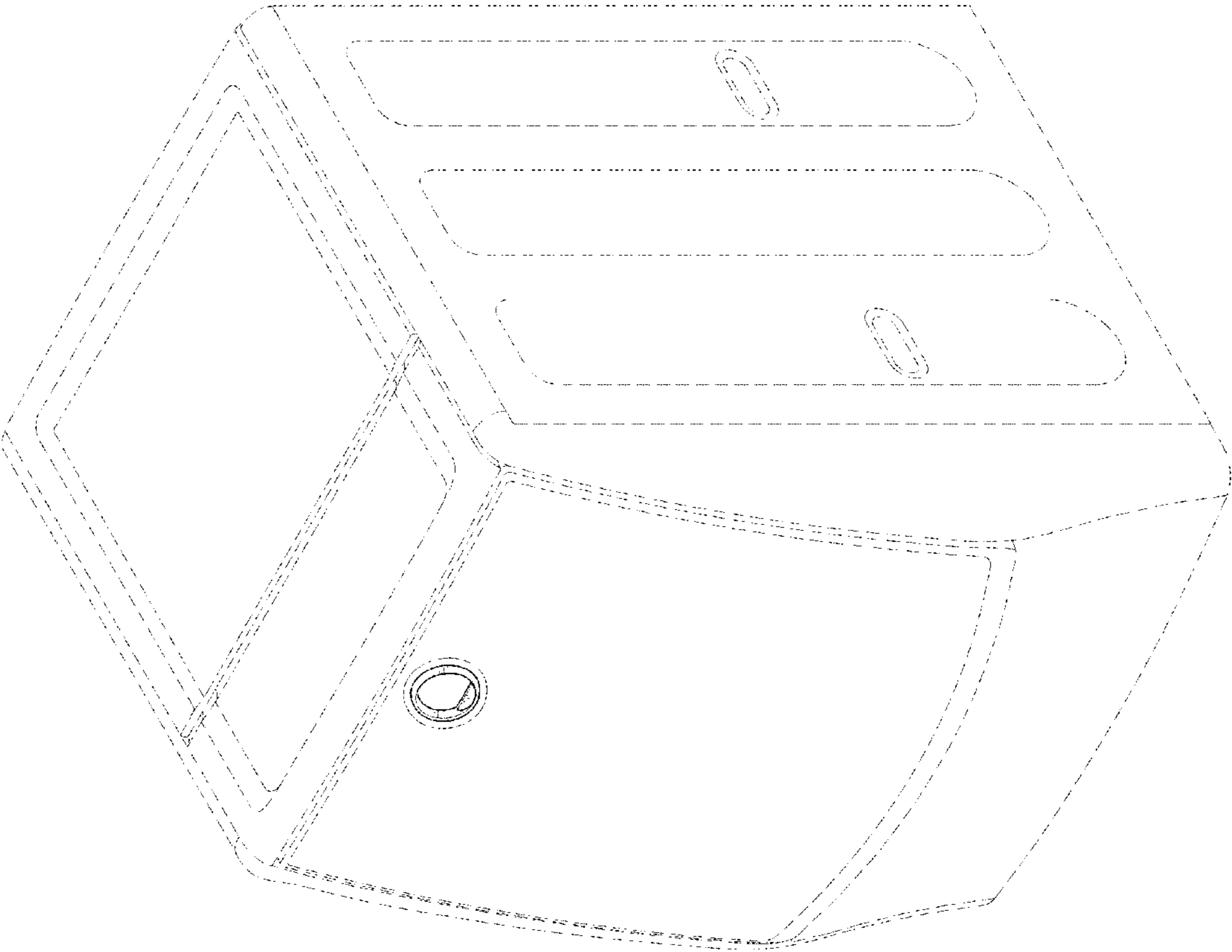


FIG. 1

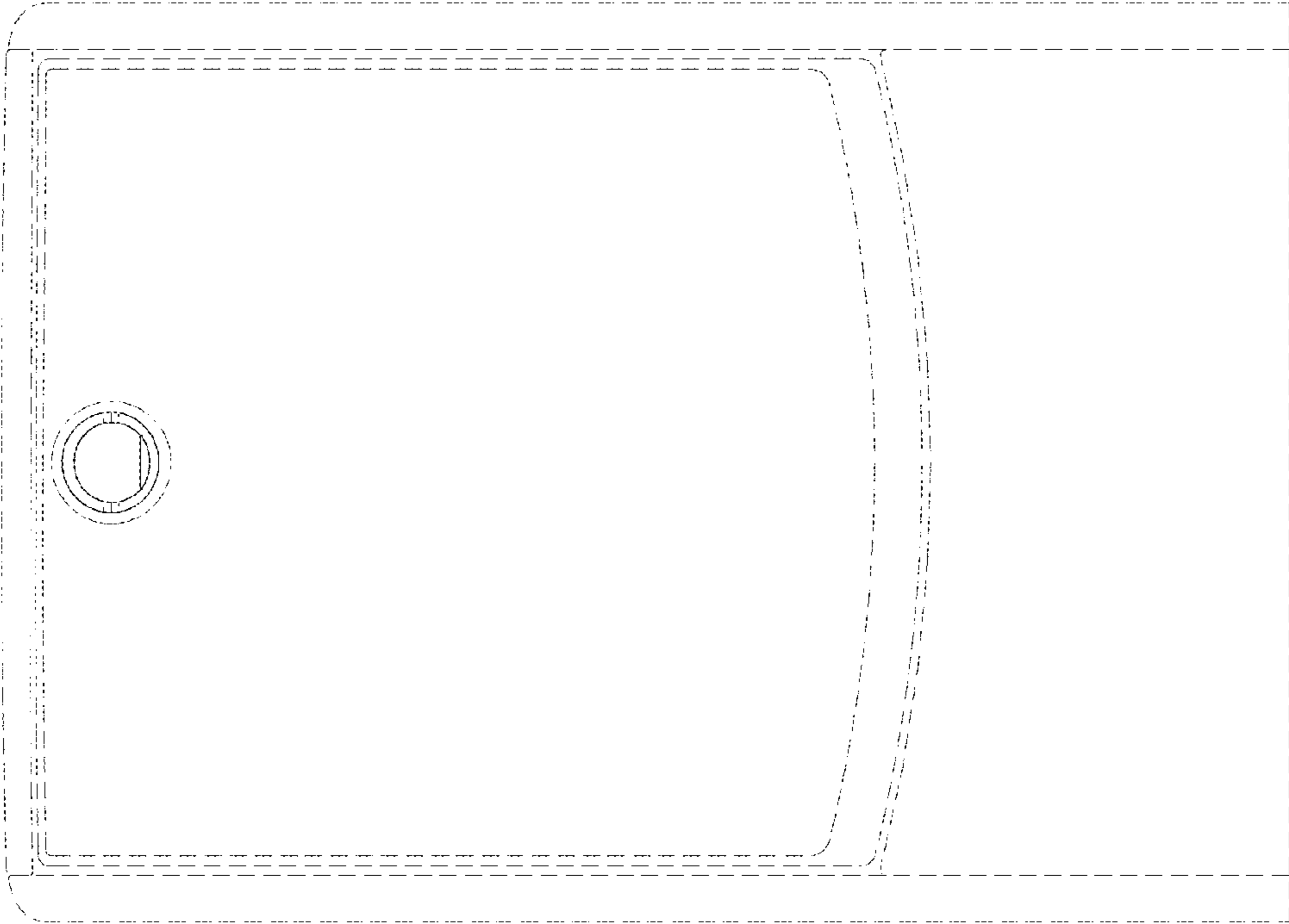


FIG. 2

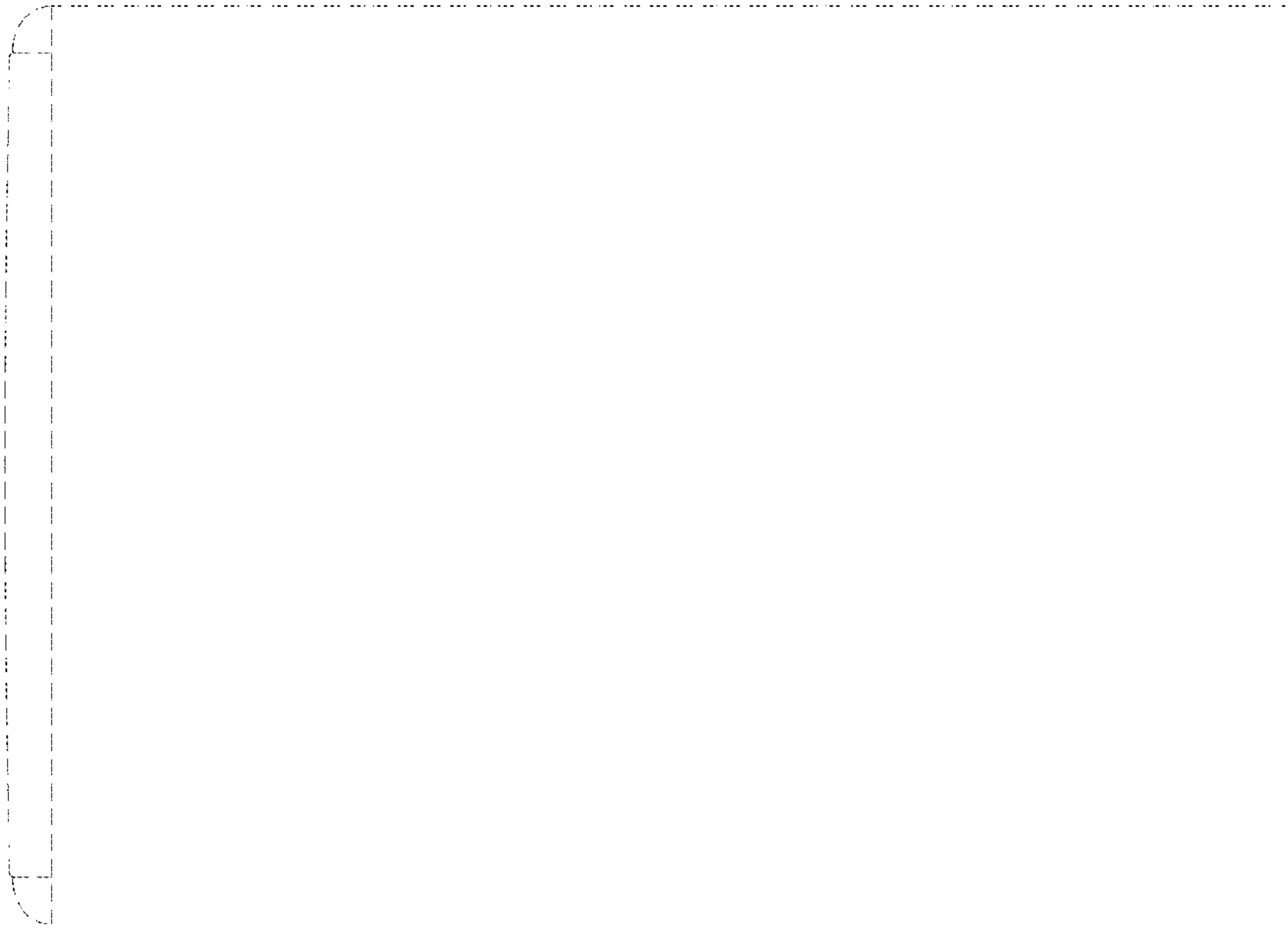


FIG. 3

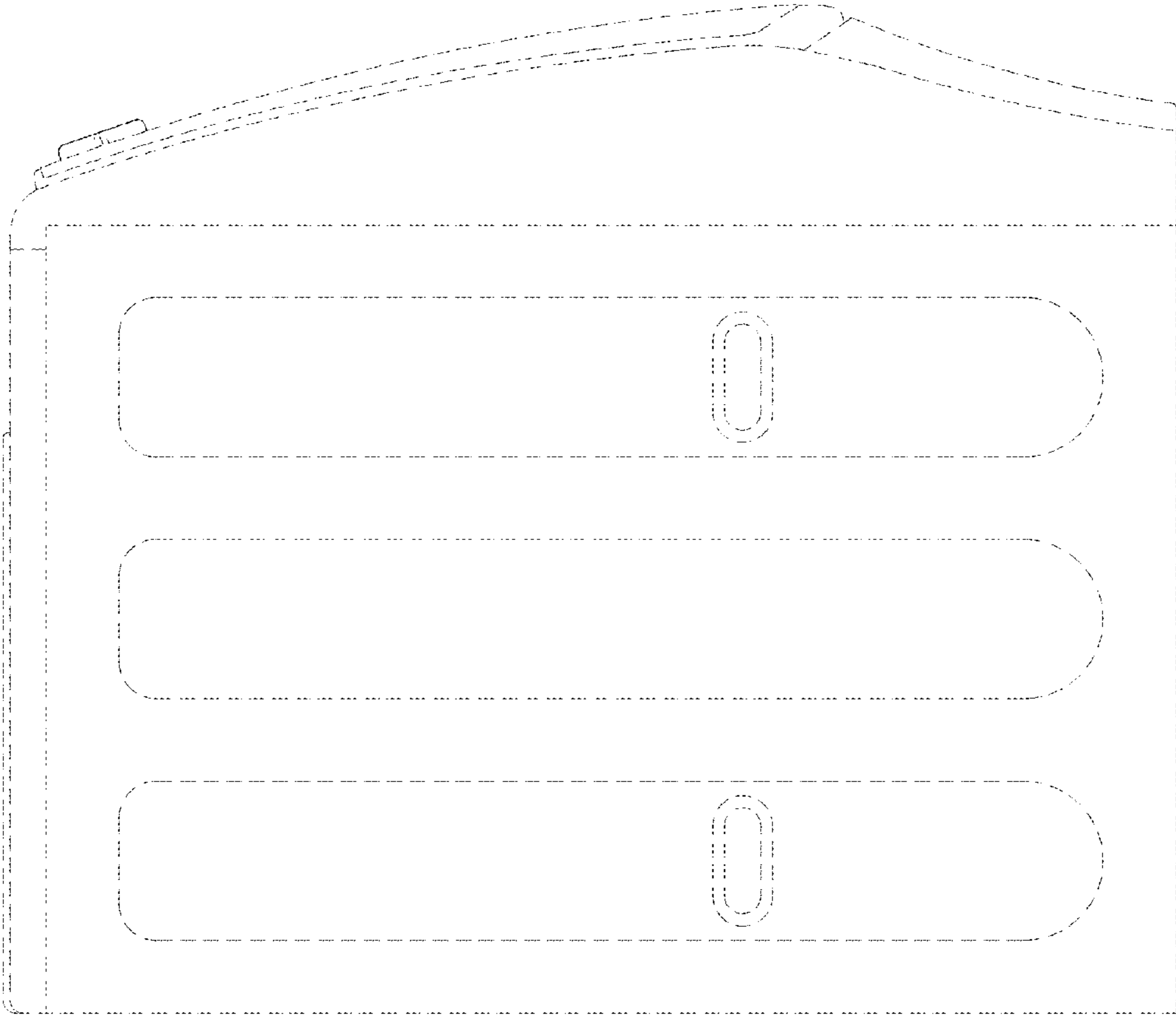


FIG. 4

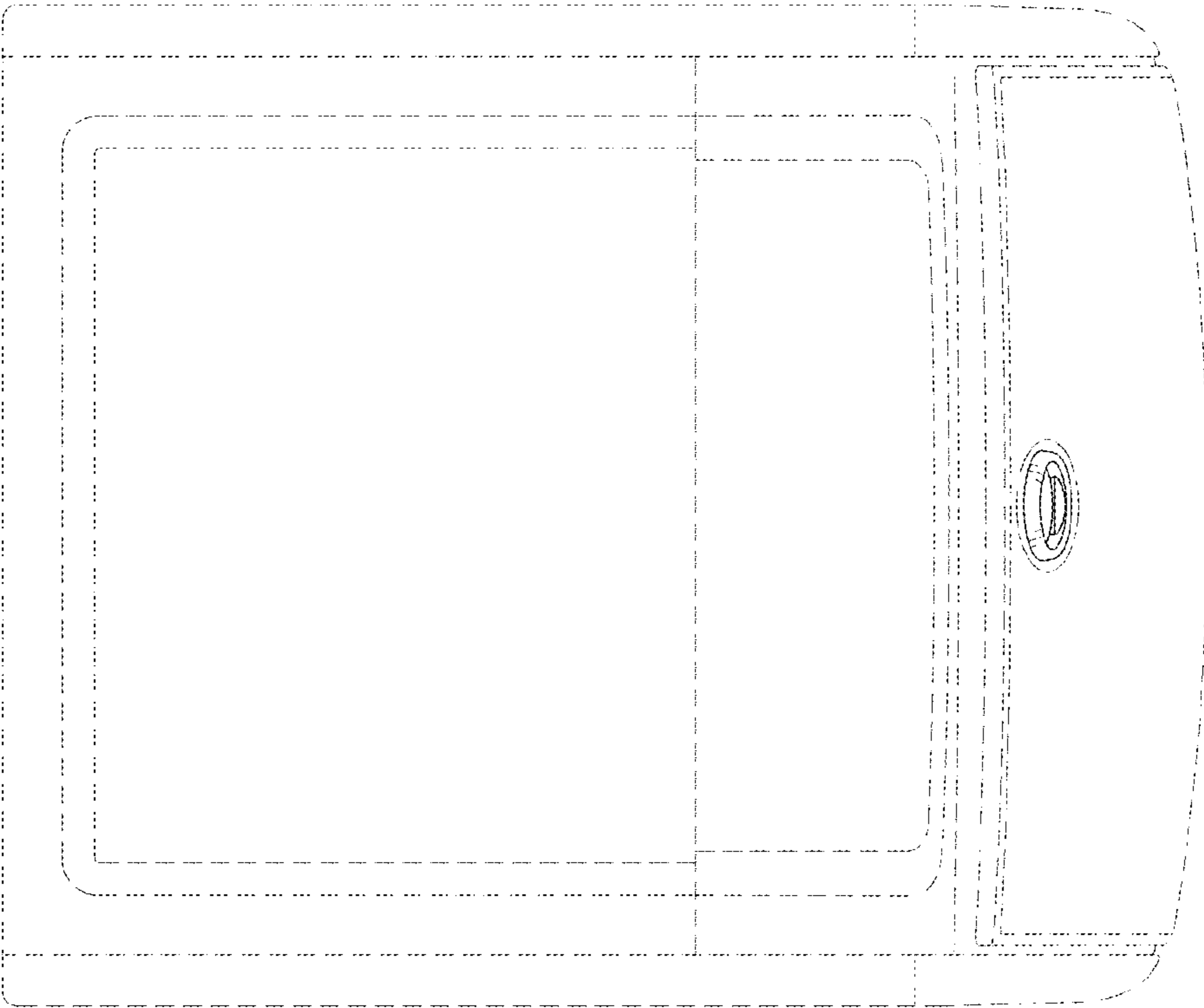


FIG. 5

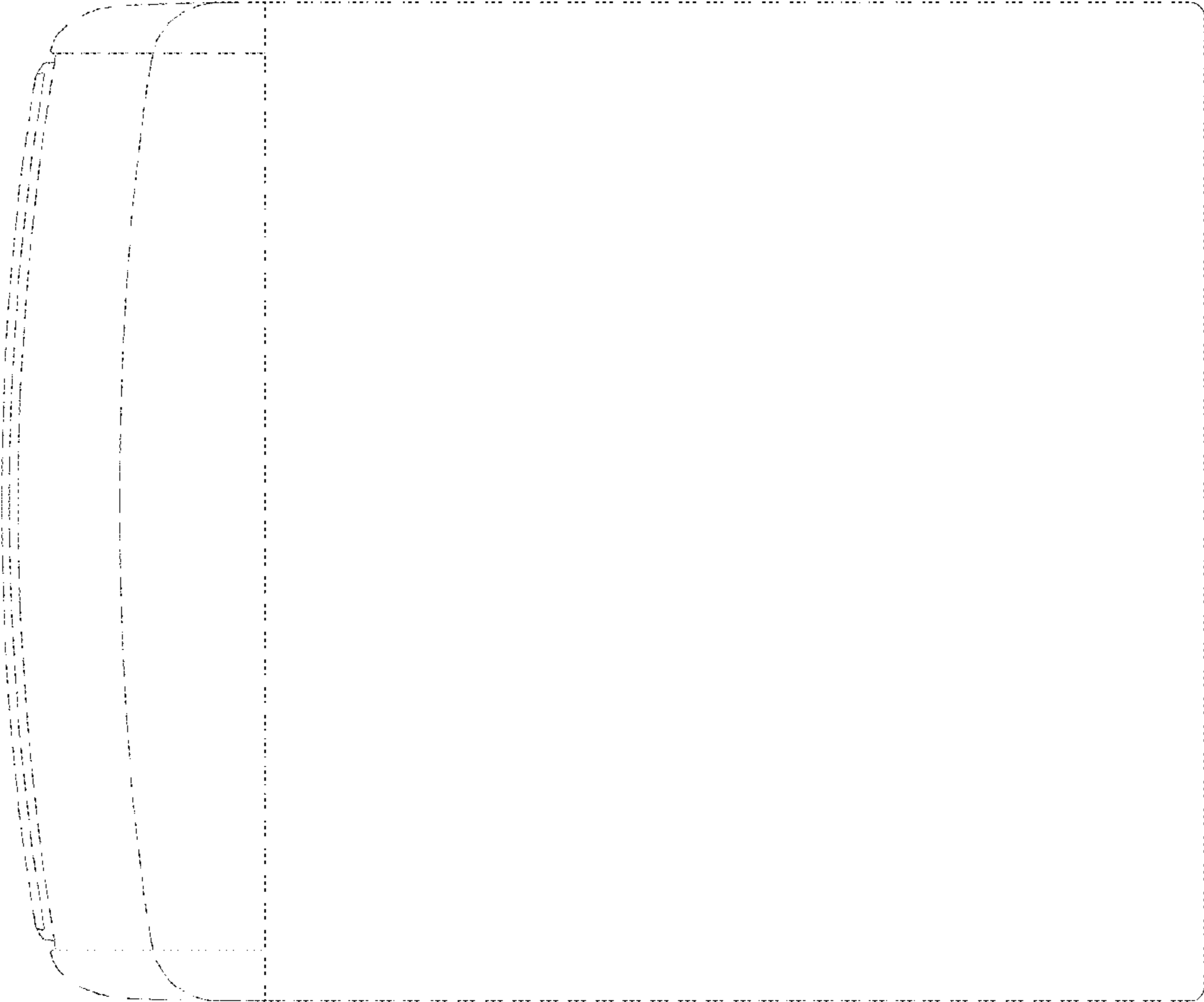


FIG. 6



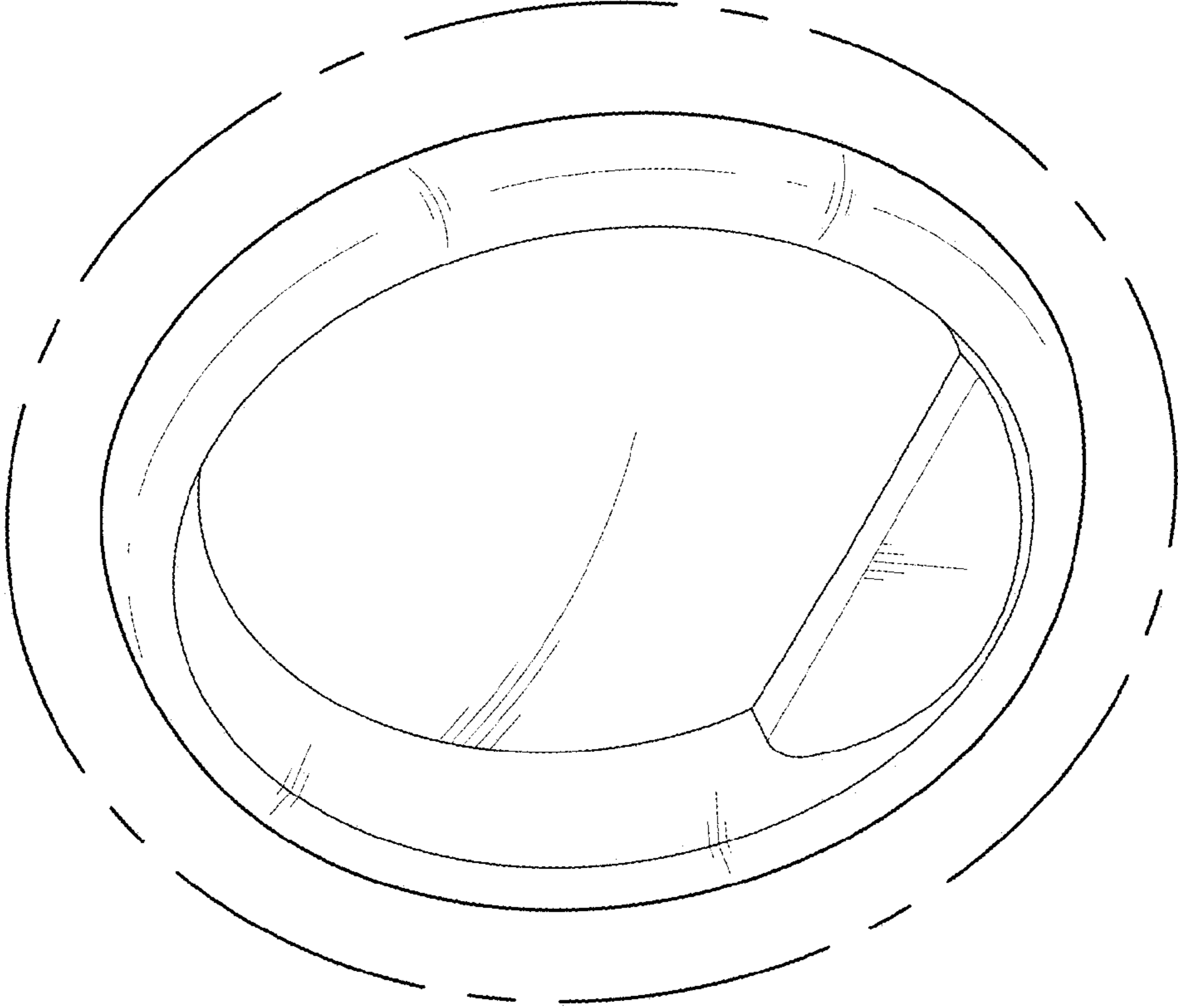


FIG. 7

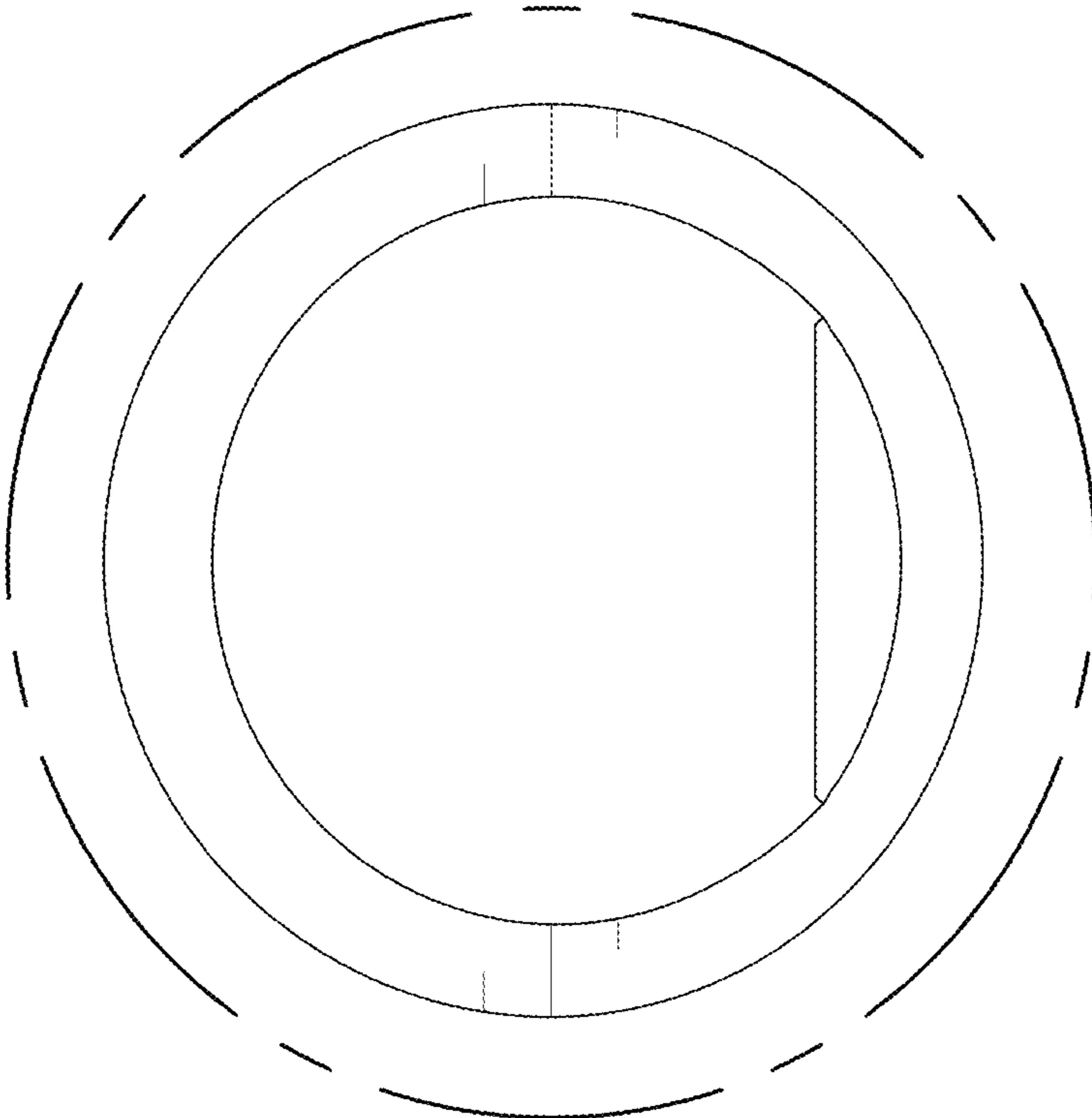


FIG. 8

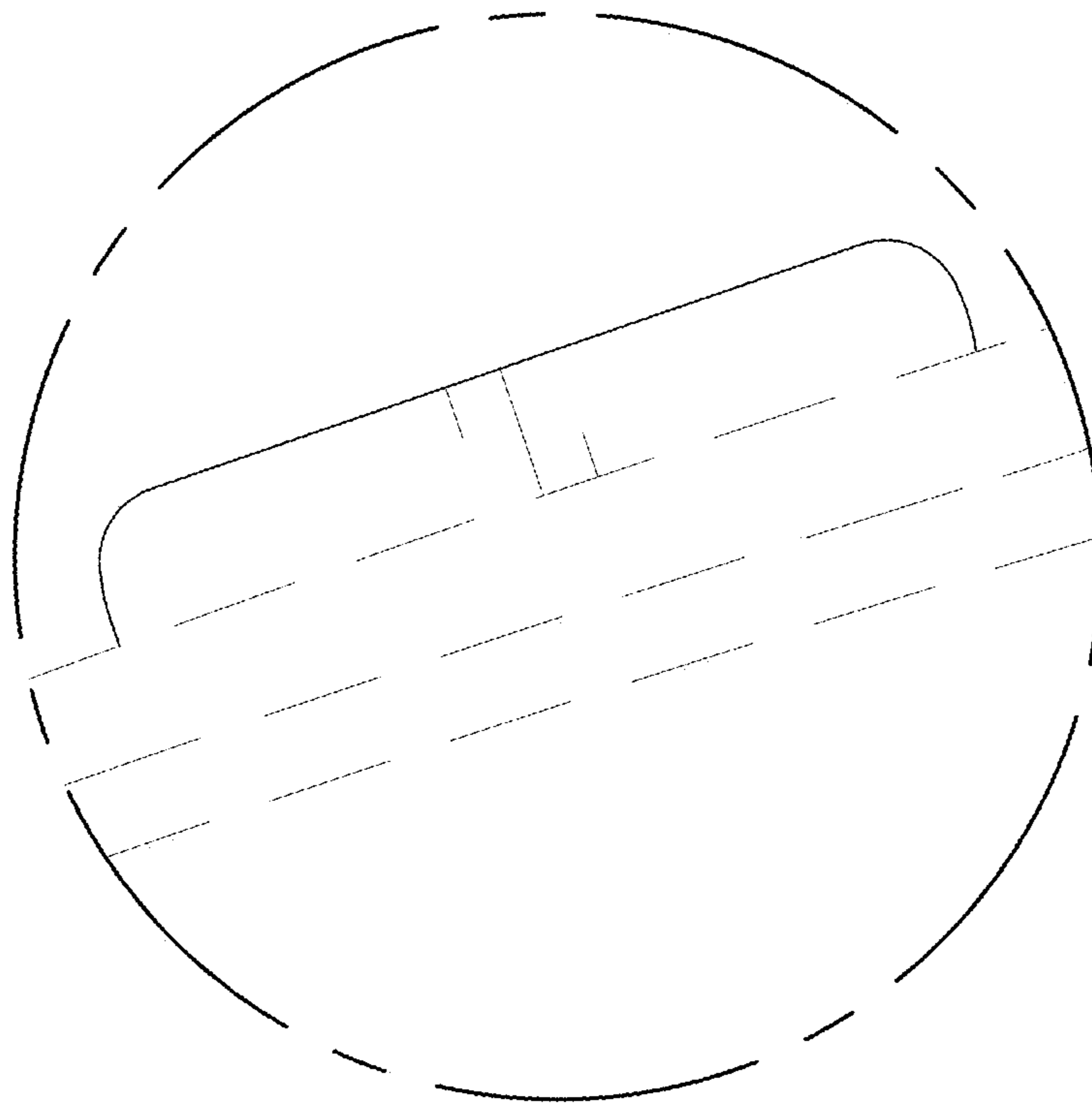


FIG. 9

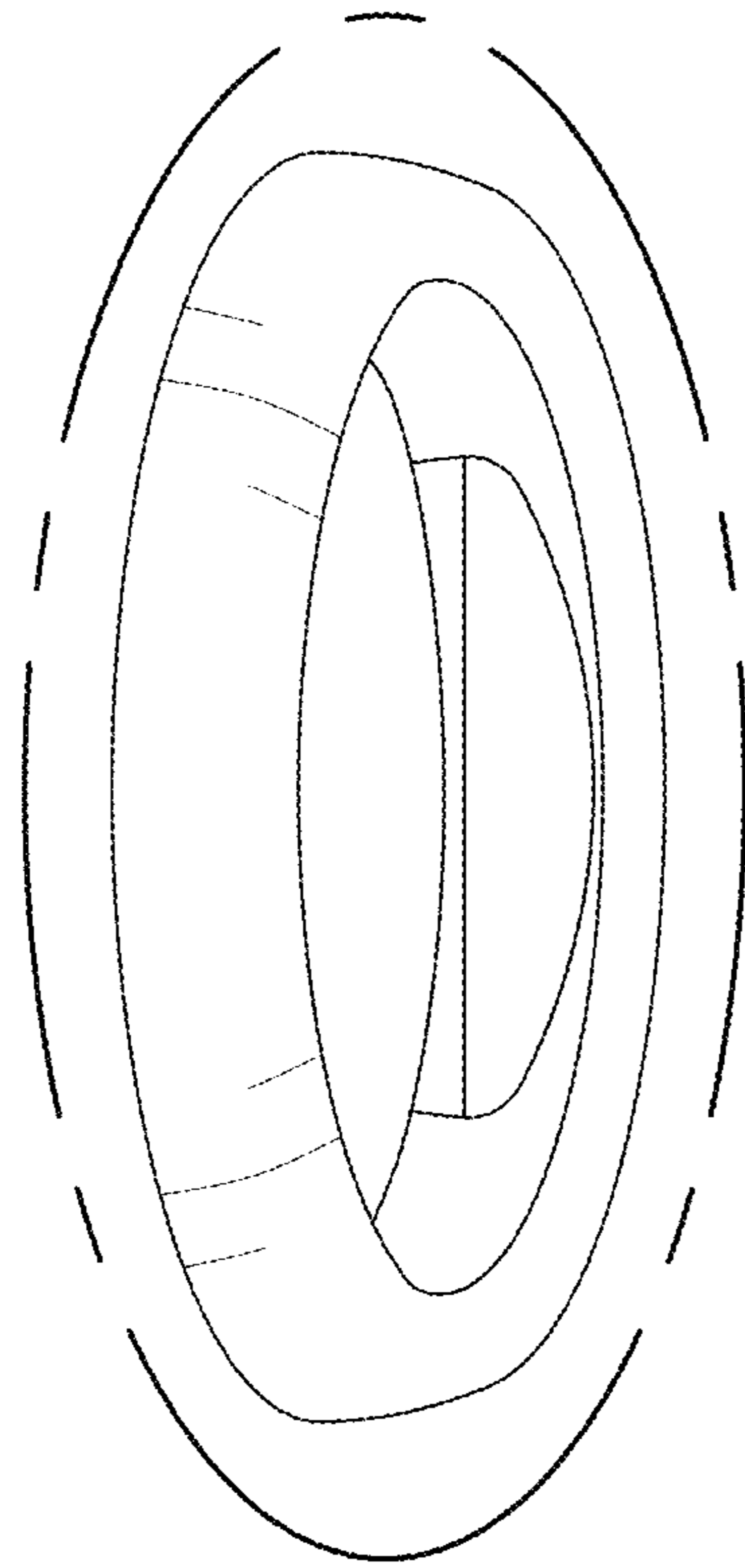


FIG. 10