



US00D756577S

(12) **United States Design Patent**
Fjellman

(10) **Patent No.:** **US D756,577 S**
(45) **Date of Patent:** **** May 17, 2016**

(54) **VACUUM CLEANER**

(71) Applicant: **Aktiebolaget Electrolux**, Stockholm (SE)

(72) Inventor: **Oskar Fjellman**, Stockholm (SE)

(73) Assignee: **Aktiebolaget Electrolux**, Stockholm (SE)

(**) Term: **14 Years**

(21) Appl. No.: **29/482,806**

(22) Filed: **Feb. 21, 2014**

(30) **Foreign Application Priority Data**

Oct. 24, 2013 (EM) 001394092

(51) **LOC (10) Cl.** **15-05**

(52) **U.S. Cl.**
USPC **D32/21**

(58) **Field of Classification Search**
USPC D32/19-21, 25, 31-33; D4/102, 127, D4/128, 133, 136
CPC A47J 37/0713; A47L 9/2842; A47L 2201/00; A47L 5/30; A47L 5/28; A47L 5/362; A47L 9/04; A46B 13/005; A46B 13/001; A61C 17/26; G06N 3/008; B25J 9/1697; G01S 13/931; B62D 58/032; B62D 57/032; E01H 1/053; E01H 1/02
See application file for complete search history.

(56) **References Cited**

U.S. PATENT DOCUMENTS

D527,854 S * 9/2006 Marzynski D32/21
D548,411 S * 8/2007 Schroter D32/21

D659,920 S * 5/2012 Lee et al. D32/21
D703,397 S * 4/2014 Sungkyung et al. D32/21
D704,400 S * 5/2014 Shin et al. D32/21
D709,255 S * 7/2014 Wang et al. D32/21
D715,504 S * 10/2014 Deoksang et al. D32/21
D720,103 S * 12/2014 Haug et al. D32/21
D720,511 S * 12/2014 Shin et al. D32/21
2009/0126143 A1 * 5/2009 Haegermarck 15/319

* cited by examiner

Primary Examiner — Susan E Krakower

(74) *Attorney, Agent, or Firm* — Banner & Witcoff, Ltd.

(57) **CLAIM**

The ornamental design for a vacuum cleaner, as shown and described.

DESCRIPTION

The patent or application file contains at least one drawing executed in color. Copies of this patent or patent application with color drawings(s) will be provided by the Office upon request and payment of the necessary fee.

FIG. 1 is a top view of a first embodiment of a vacuum cleaner showing my new design in a first coloration;

FIG. 2 is a rear view thereof;

FIG. 3 is a front and top perspective view thereof;

FIG. 4 is a front view thereof;

FIG. 5 is a right side view thereof;

FIG. 6 is a left side view thereof;

FIG. 7 is a rear view of a second embodiment of a vacuum cleaner showing my new design in a second coloration;

FIG. 8 is a front and top perspective view thereof;

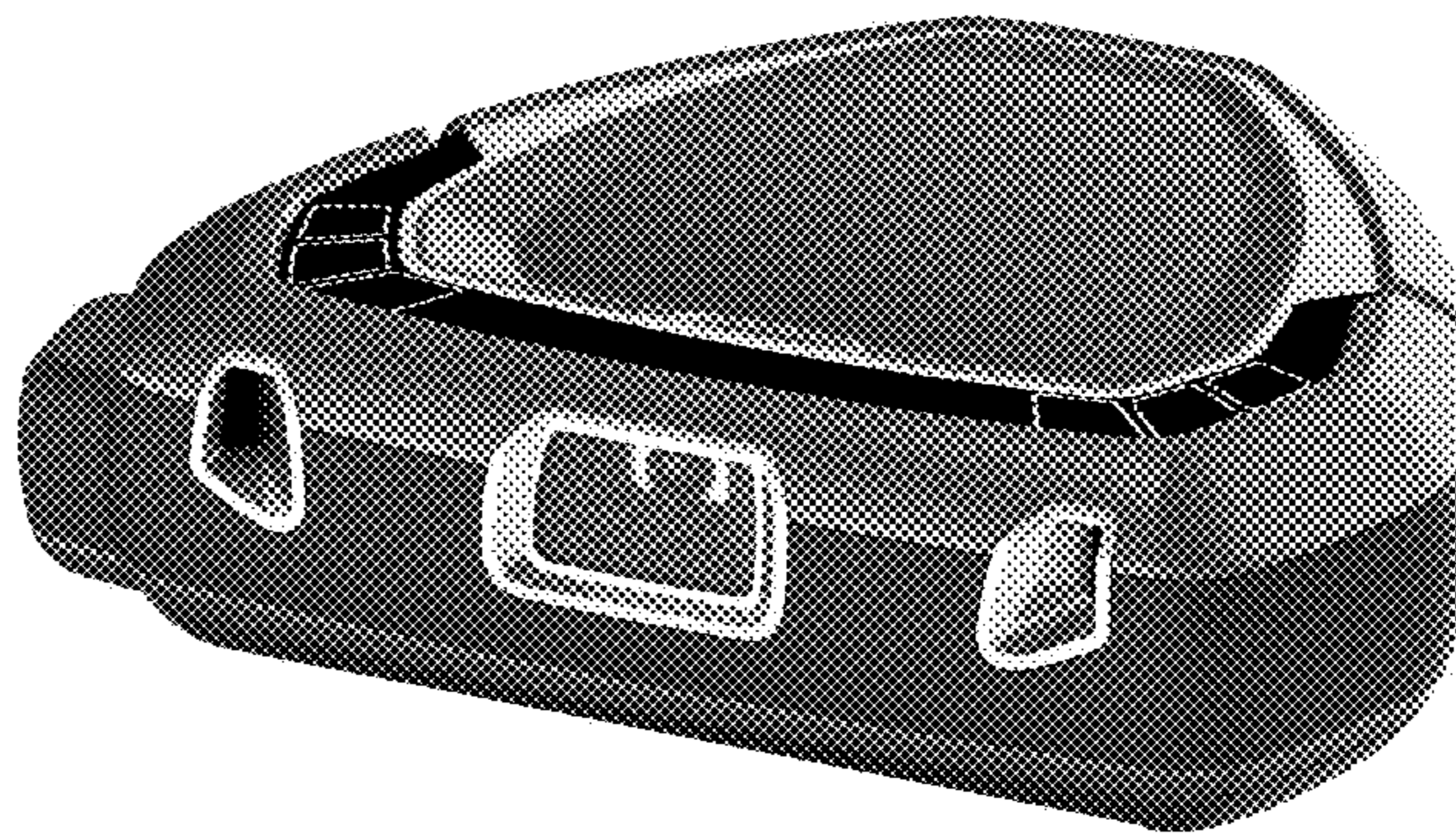
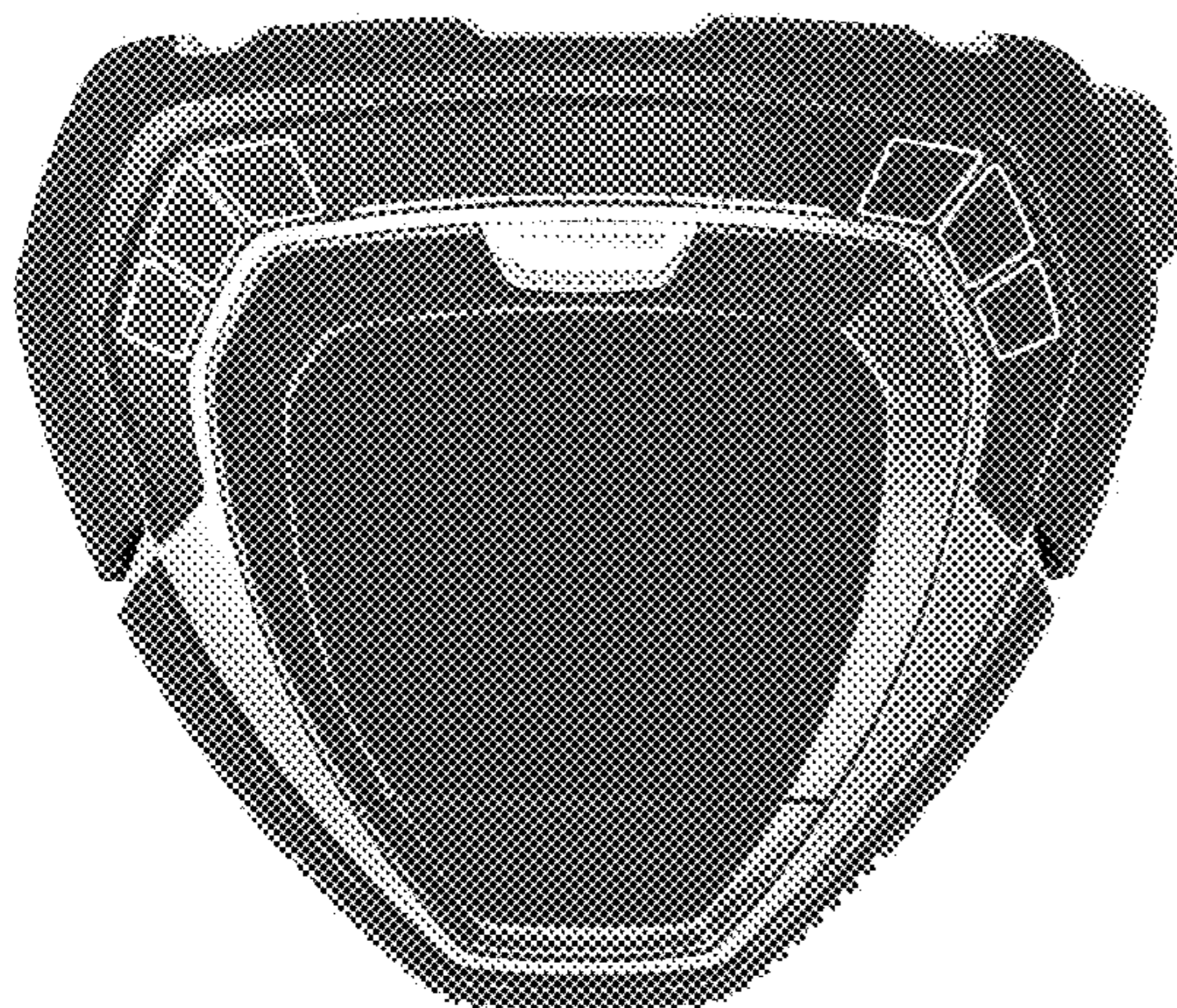
FIG. 9 is a front view thereof;

FIG. 10 is a right side view thereof;

FIG. 11 is a left side view thereof; and,

FIG. 12 is a top view thereof.

1 Claim, 12 Drawing Sheets
(10 of 12 Drawing Sheet(s) Filed in Color)



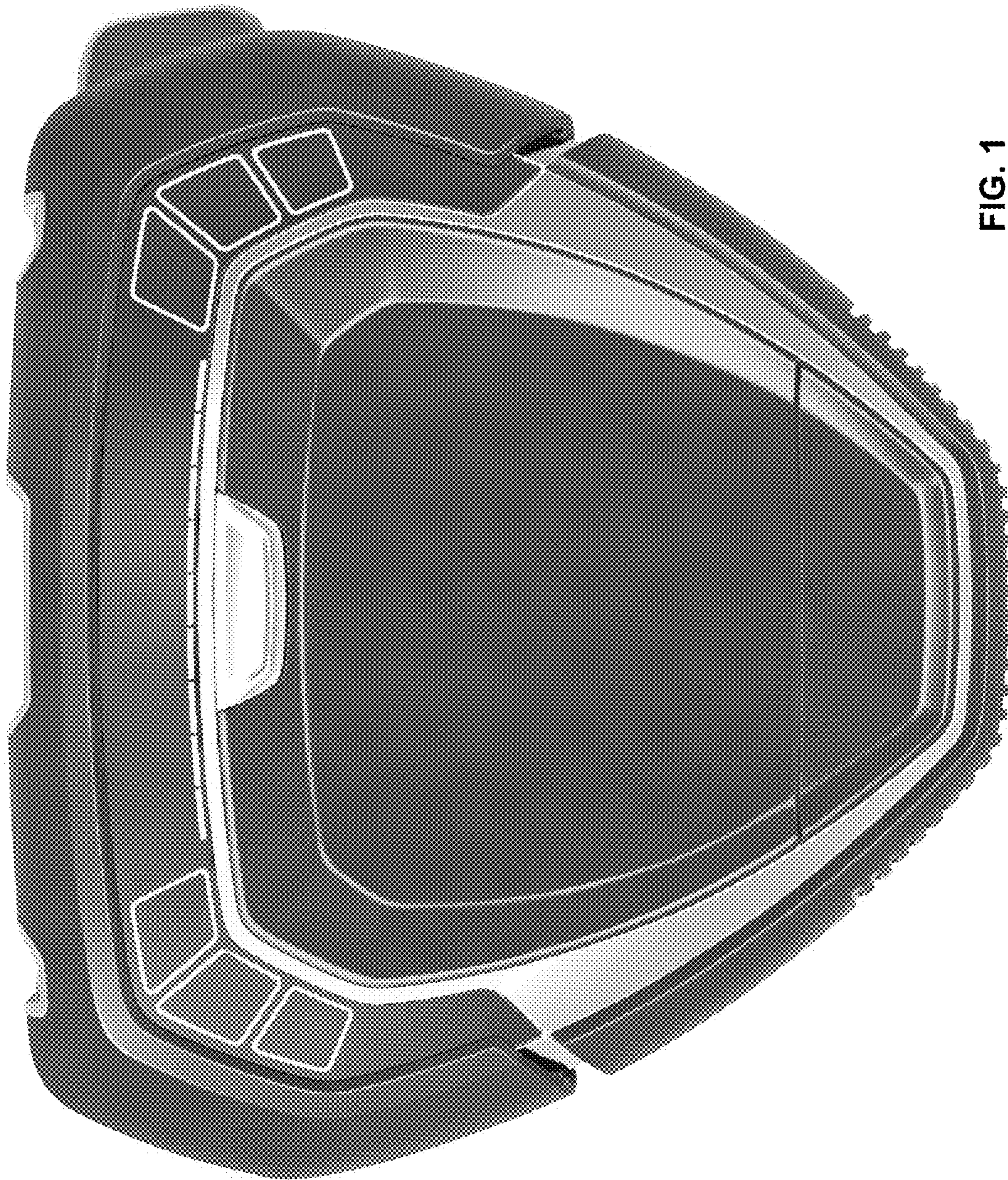


FIG. 1

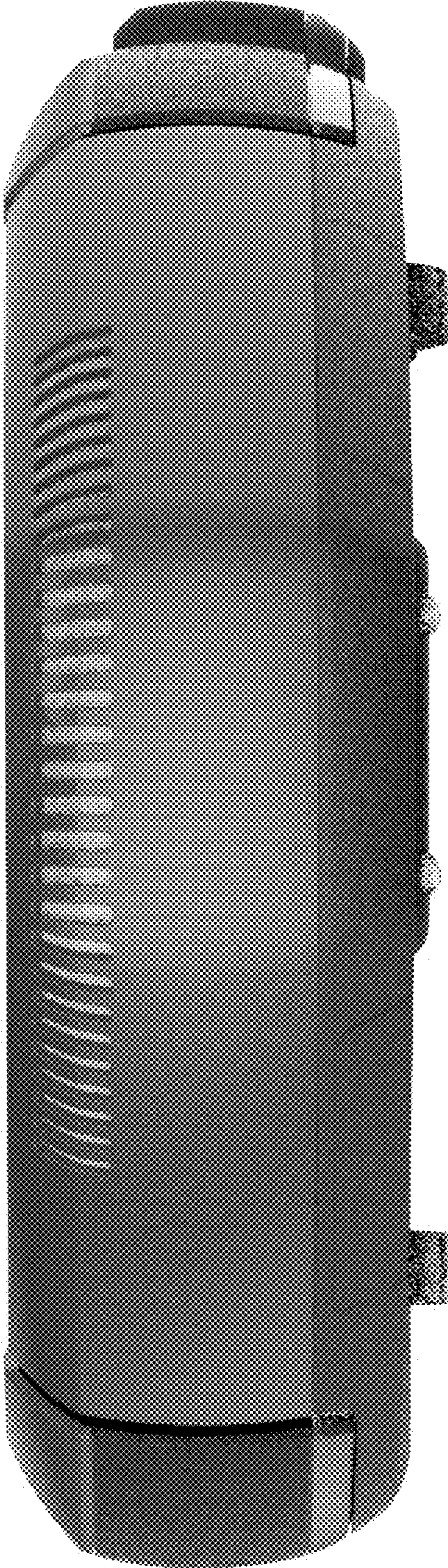


FIG. 2



FIG. 3



FIG. 4

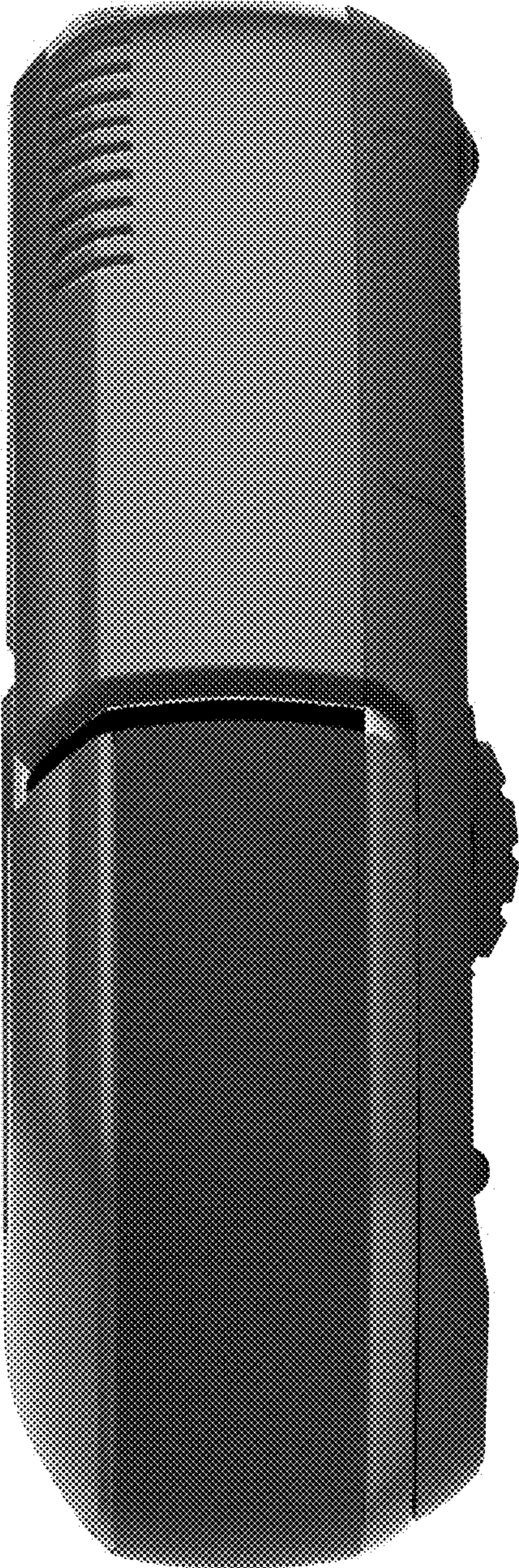


FIG. 5

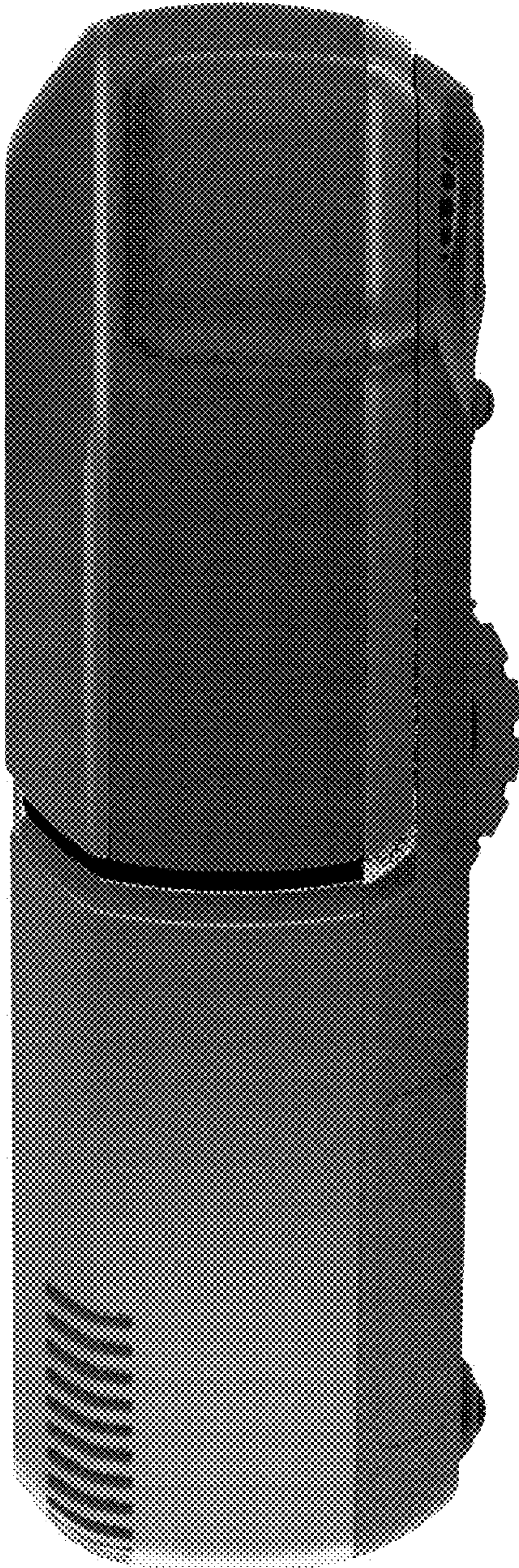


FIG. 6

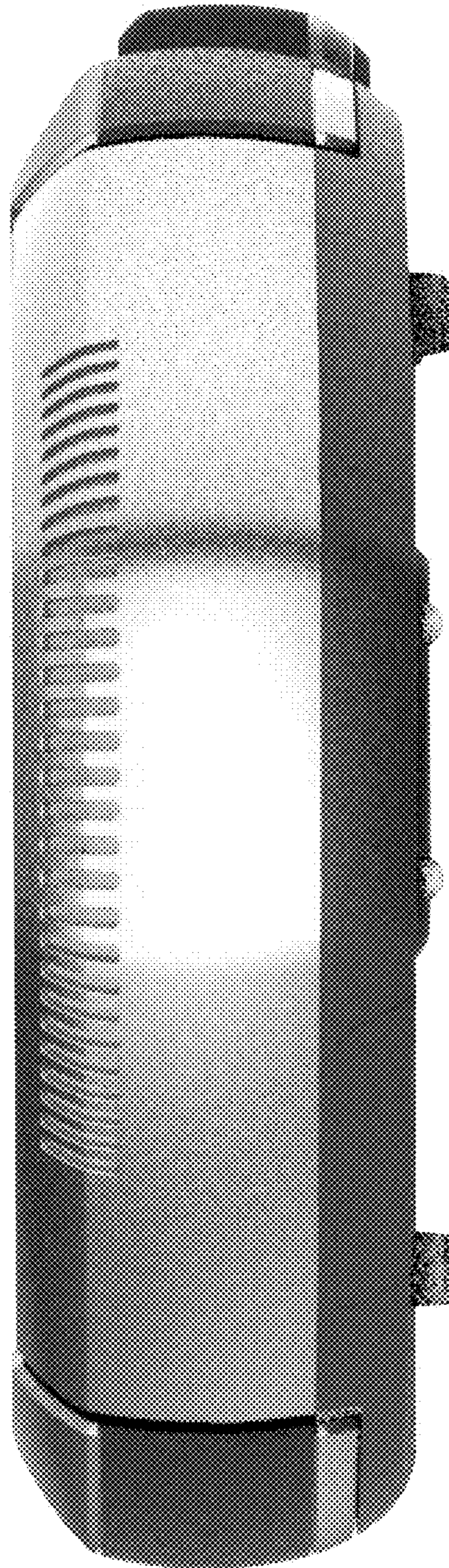


FIG. 7



FIG. 8

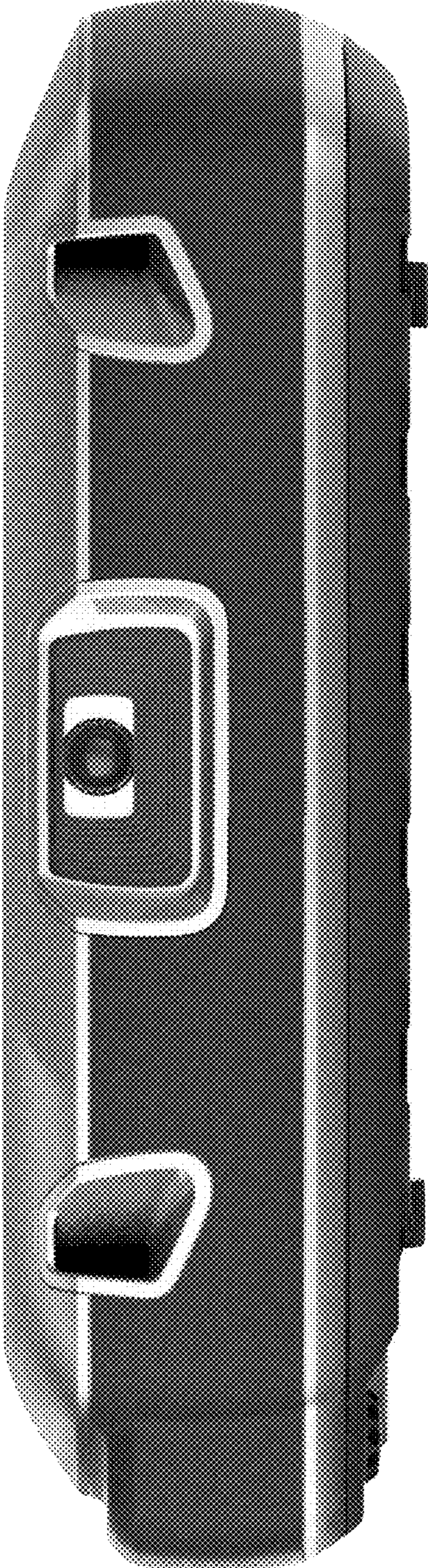


FIG. 9

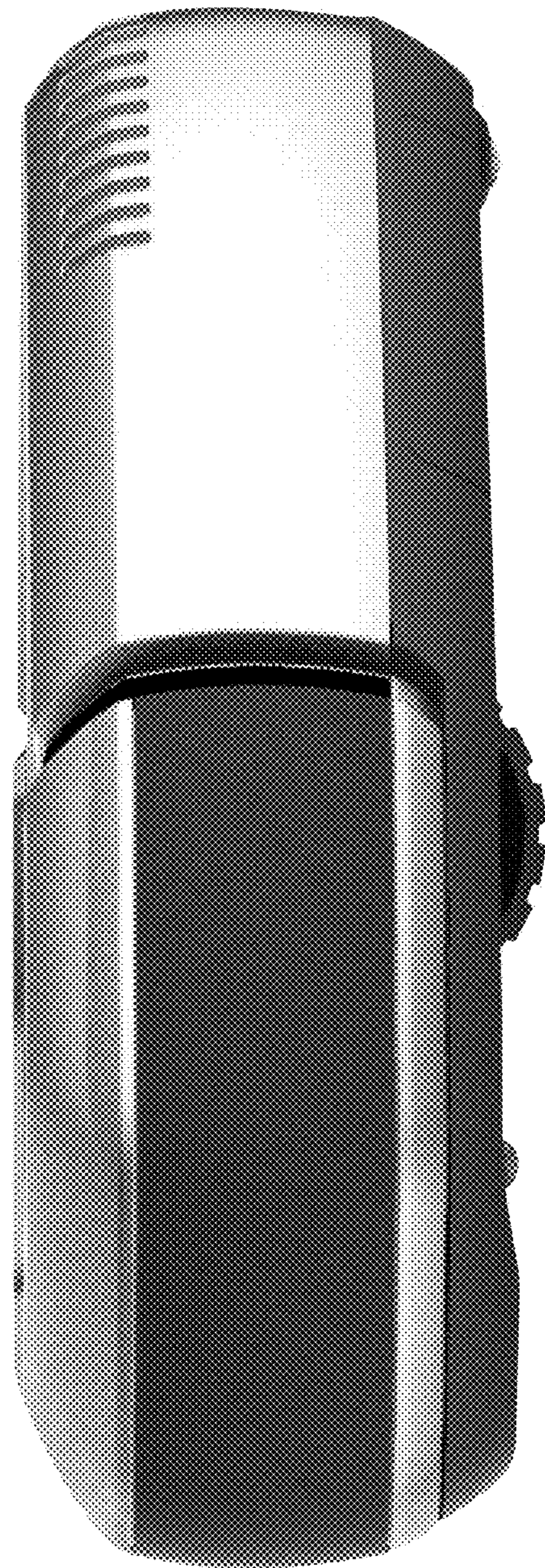


FIG. 10

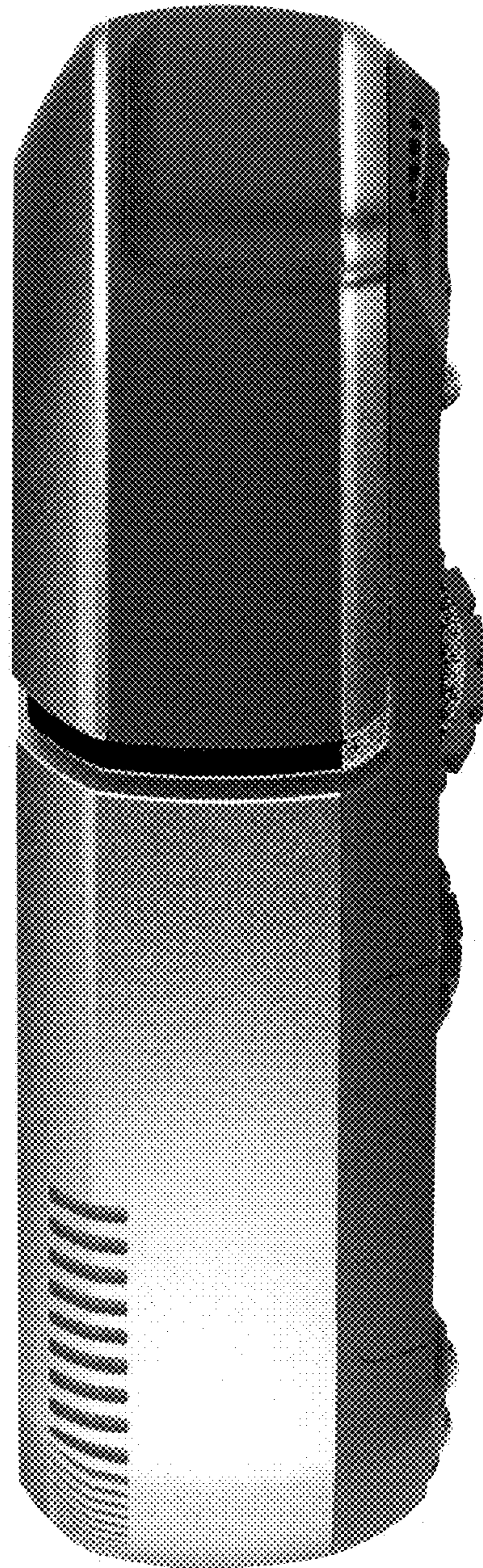


FIG. 11

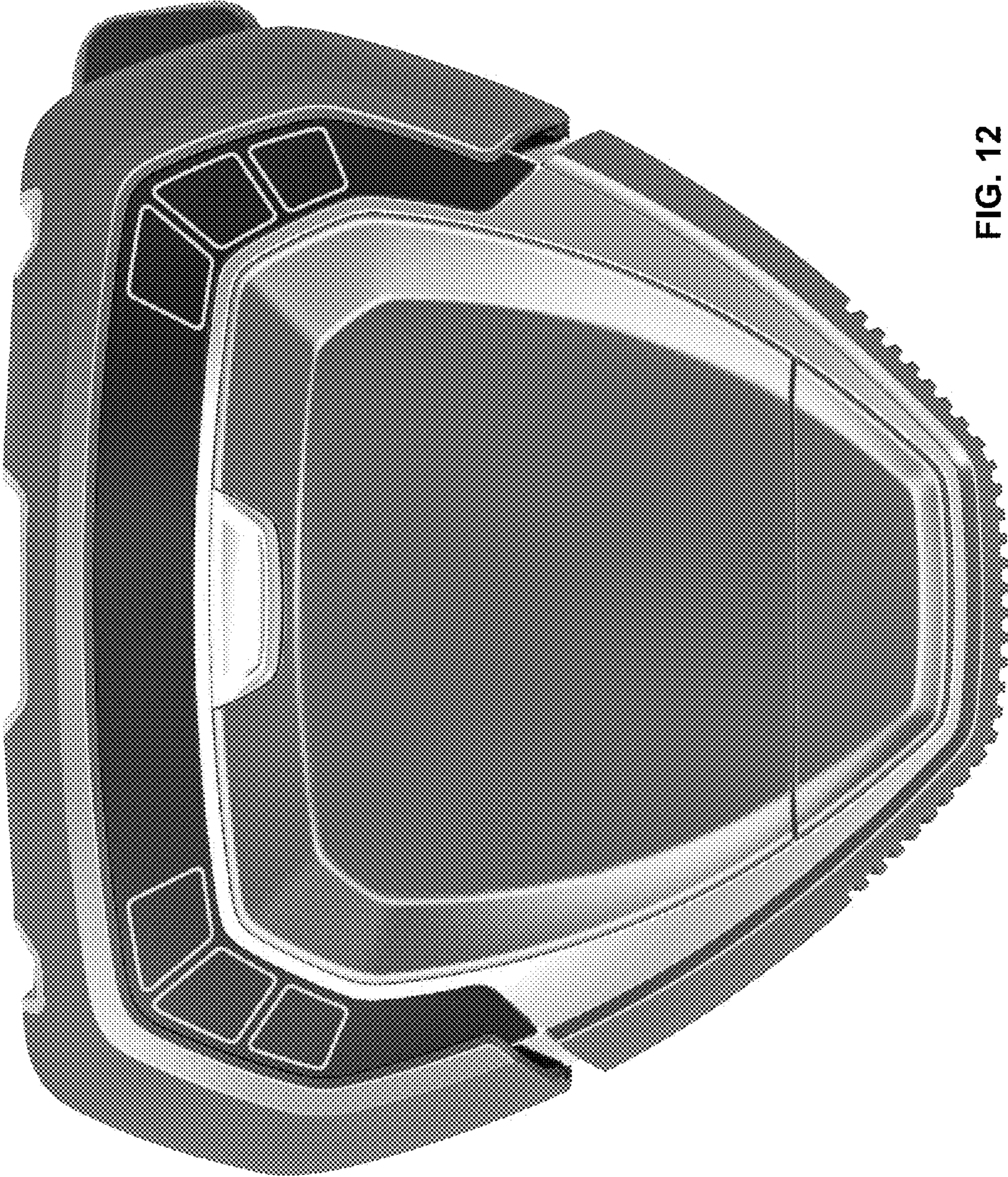


FIG. 12